

[54] LETTER STAMPING MACHINE

[76] Inventors: **Robert J. Eichenberg; La Dorna E. Eichenberg**, both of 911 Baywood Dr., Newport Beach, Calif. 92660

[\*\*] Term: **14 Years**

[21] Appl. No.: **819,838**

[22] Filed: **Jul. 28, 1977**

[51] Int. Cl. .... **D18-02**

[52] U.S. Cl. .... **D18/15**

[58] Field of Search ..... D18/14, 15, 18, 22; D15/123, 128, 146; 101/3 R, 35 P, 407 BP

[56]

**References Cited**

**U.S. PATENT DOCUMENTS**

15,312	7/1856	Winder .....	101/407 BP
D. 152,037	12/1948	Stadler .....	D18/15
D. 186,197	9/1959	Maul .....	D18/14
4,058,054	11/1977	Markman .....	D15/123 X

*Primary Examiner*—Louis S. Zarfes  
*Attorney, Agent, or Firm*—Alfons Puishes

[57]

**CLAIM**

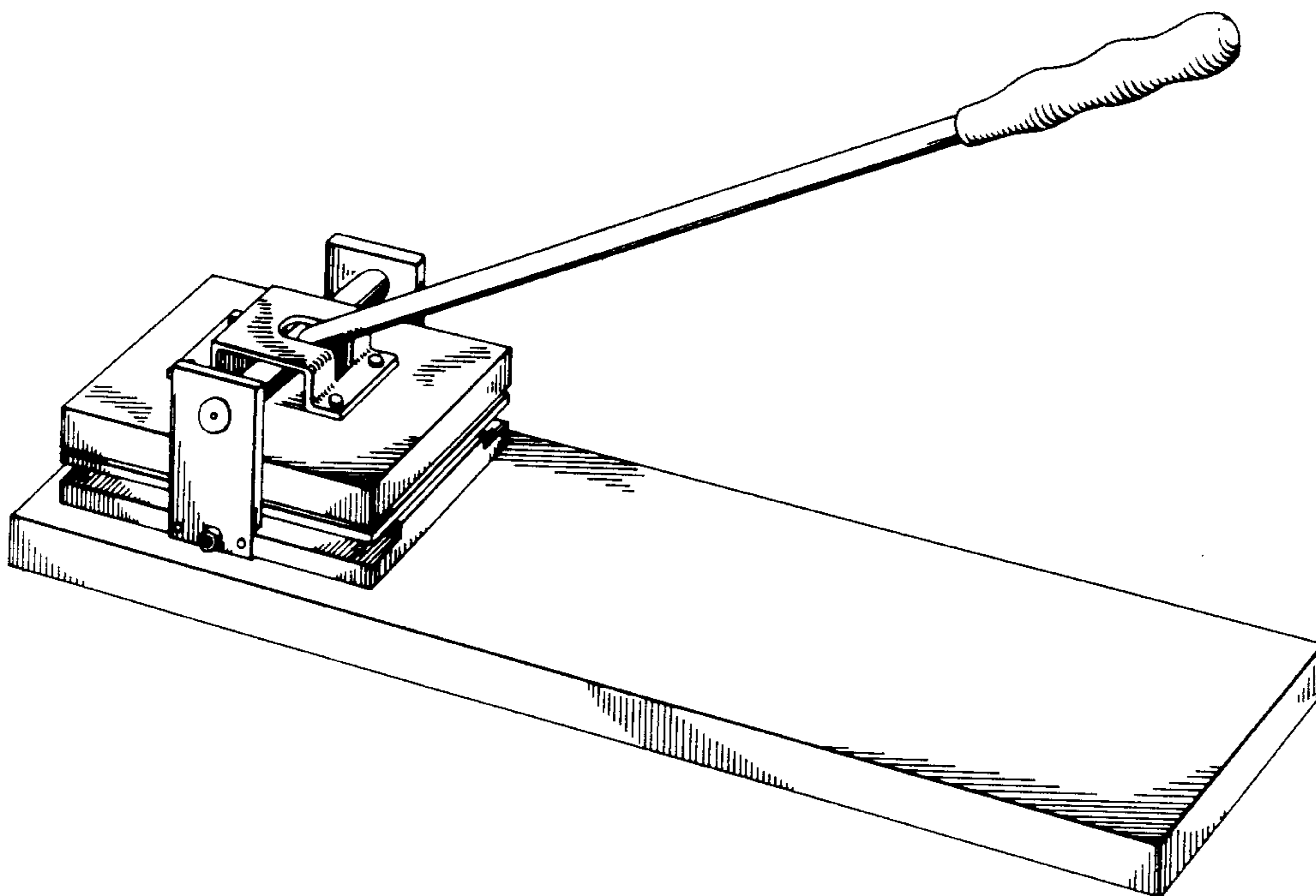
The ornamental design for a letter stamping machine, as shown and described.

**DESCRIPTION**

FIG. 1 is an isometric view of a letter stamping machine showing my new design.

FIG. 2 is a left side elevational view of the machine, the right side being a mirror image thereof;

FIG. 3 is a rear elevational view of the machine.



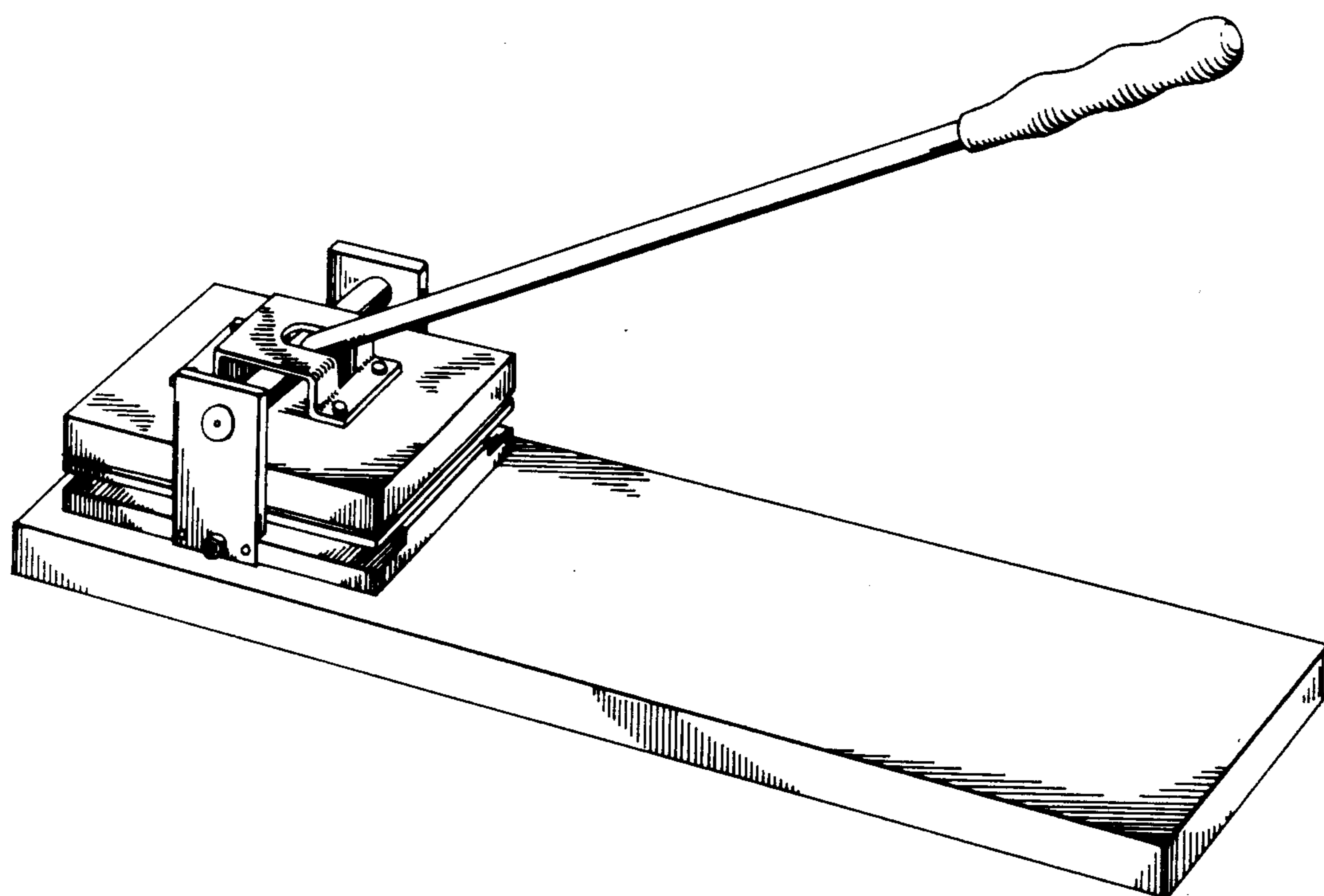


FIG. 1

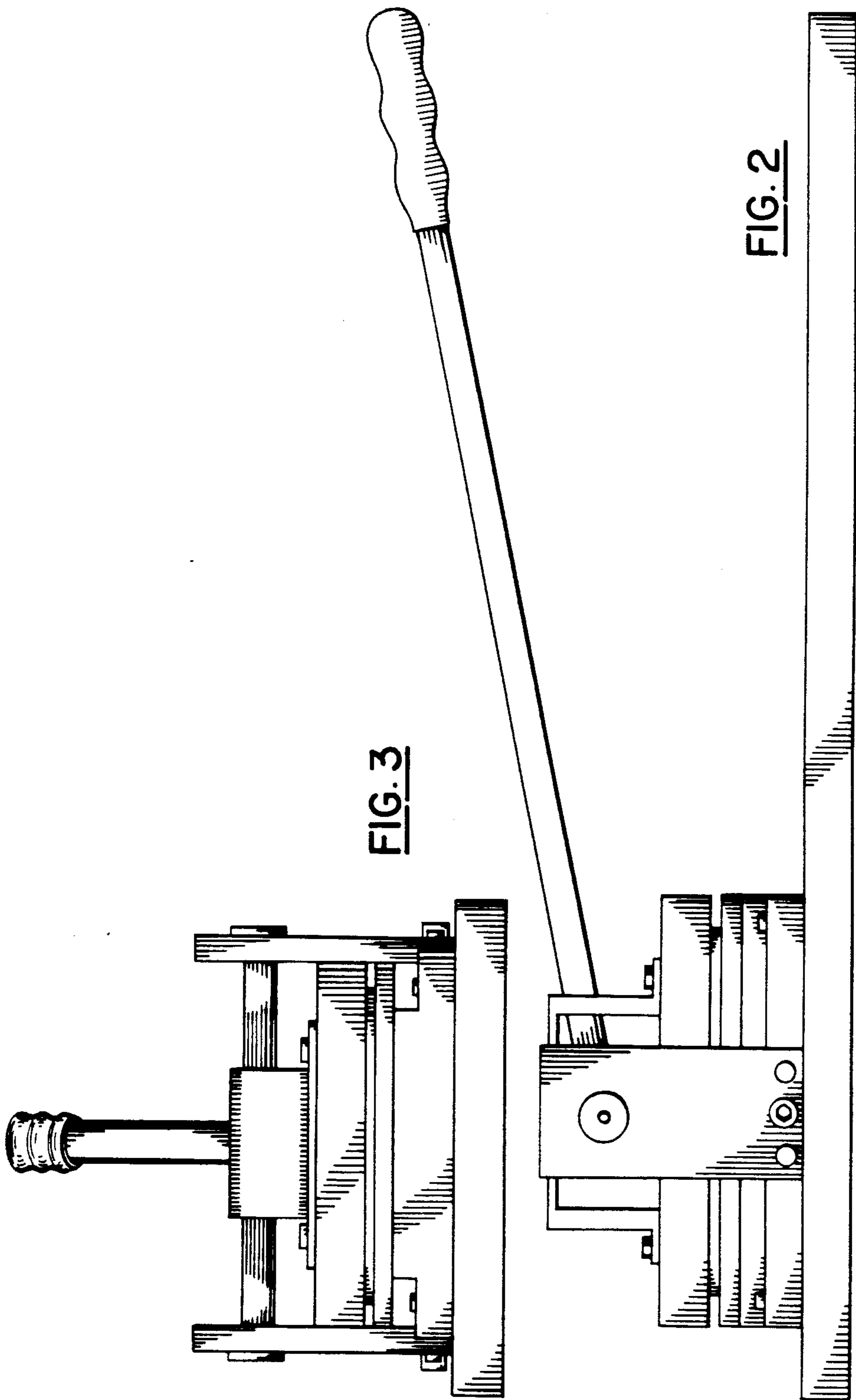


FIG. 3

FIG. 2