

[54] PORTABLE MOVIE PROJECTOR

[75] Inventors: Naokuni Sato; Toru Onishi; Daisuke Ishiguro, all of Kasai, Japan

[73] Assignee: Sanyo Electric Co., Ltd., Moriguchi, Japan

[**] Term: 14 Years

[21] Appl. No.: 897,815

[22] Filed: Apr. 19, 1978

[30] Foreign Application Priority Data

Nov. 30, 1977 [JP] Japan 52-47641

[51] Int. Cl. D16-02

[52] U.S. Cl. D16/18

[58] Field of Search D16/14-26; 353/15, 19, 22-24, 46, 47, 68, 72, 73, 74, 79, 119; 40/361, 366, 367; 352/72, 104, 166, 242

[56] References Cited

U.S. PATENT DOCUMENTS

D. 215,969	11/1969	Anderson	D16/19 X
3,375,054	3/1968	Hughes	352/242 X
3,704,054	11/1972	Robak	352/104 X
3,715,155	2/1973	Grupp	353/119 X

FOREIGN PATENT DOCUMENTS

2811252 9/1978 Fed. Rep. of Germany 352/104

Primary Examiner—Catherine E. Kemper
Attorney, Agent, or Firm—Richard C. Sughrue

[57] CLAIM

The ornamental design for a portable movie projector, as shown and described.

DESCRIPTION

FIG. 1 is a front, top and right side perspective view of a portable movie projector showing our new design; FIG. 2 is a front, elevational view thereof; FIG. 3 is a top plan view thereof; FIG. 4 is a right side elevational view thereof; FIG. 5 is a left side view thereof; FIG. 6 is a rear elevational view thereof; FIG. 7 is a bottom plan view thereof; FIG. 8 is a front, top and right side perspective view thereof with the cover pivoted to full open position and the projector screen retracted into the cover; FIG. 9 is a perspective view thereof with the cover closed on the case and the case in upstanding position; FIG. 10 is a perspective view of the case portion in upstanding position with the cover removed; and FIG. 11 is a front, top and right side perspective view thereof with the cover in a raised, removed position.

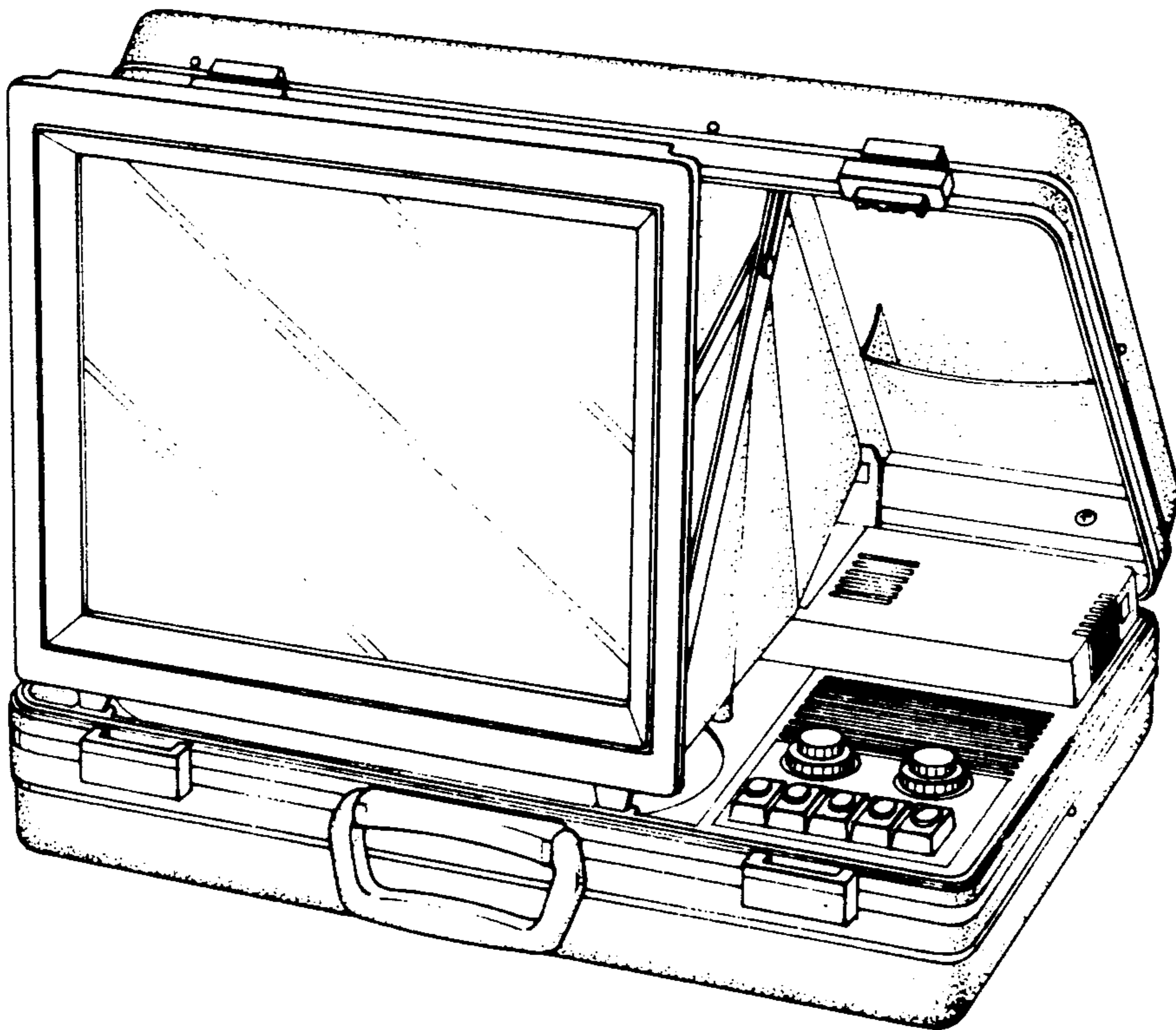


FIG. 1

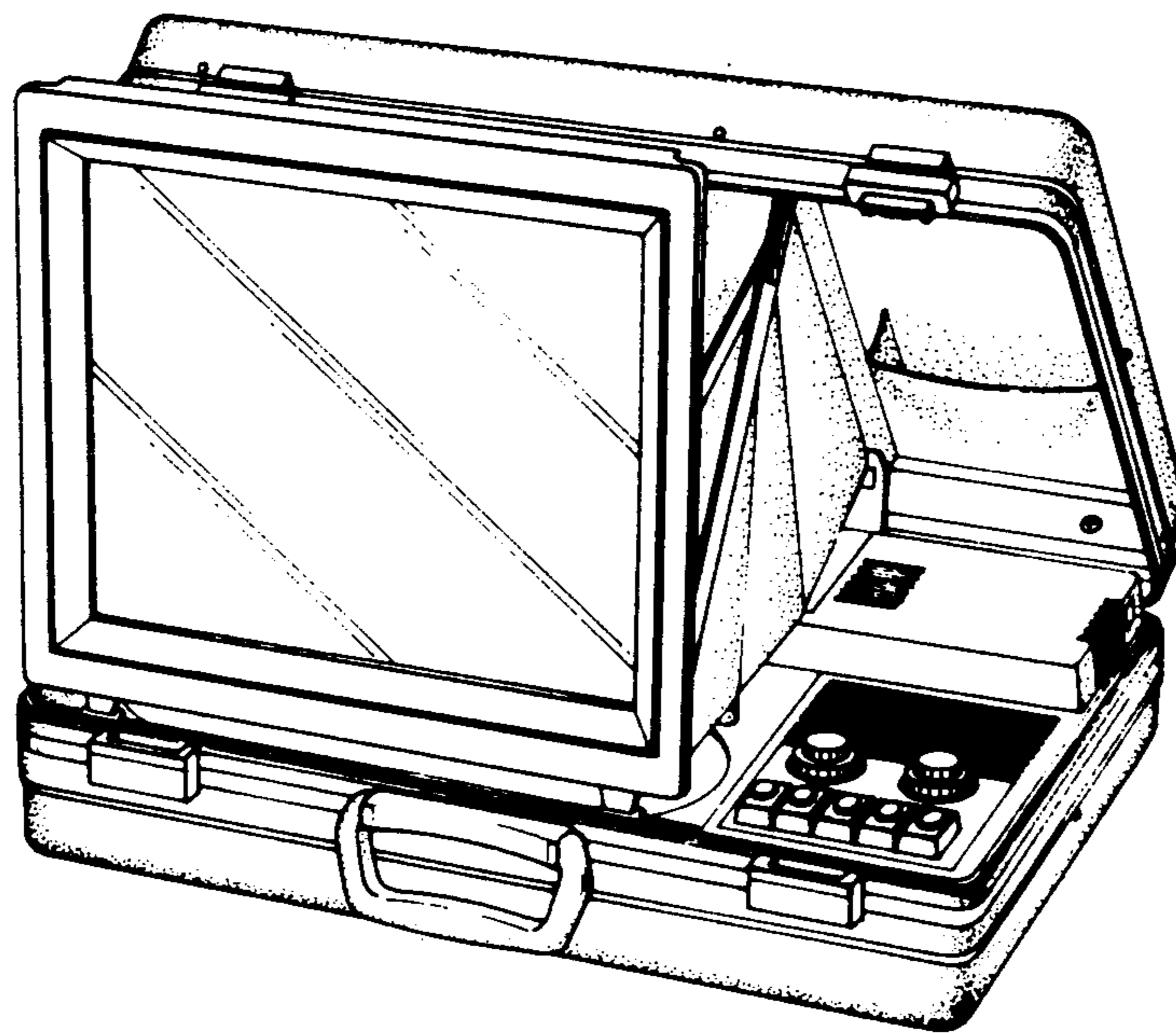


FIG. 2

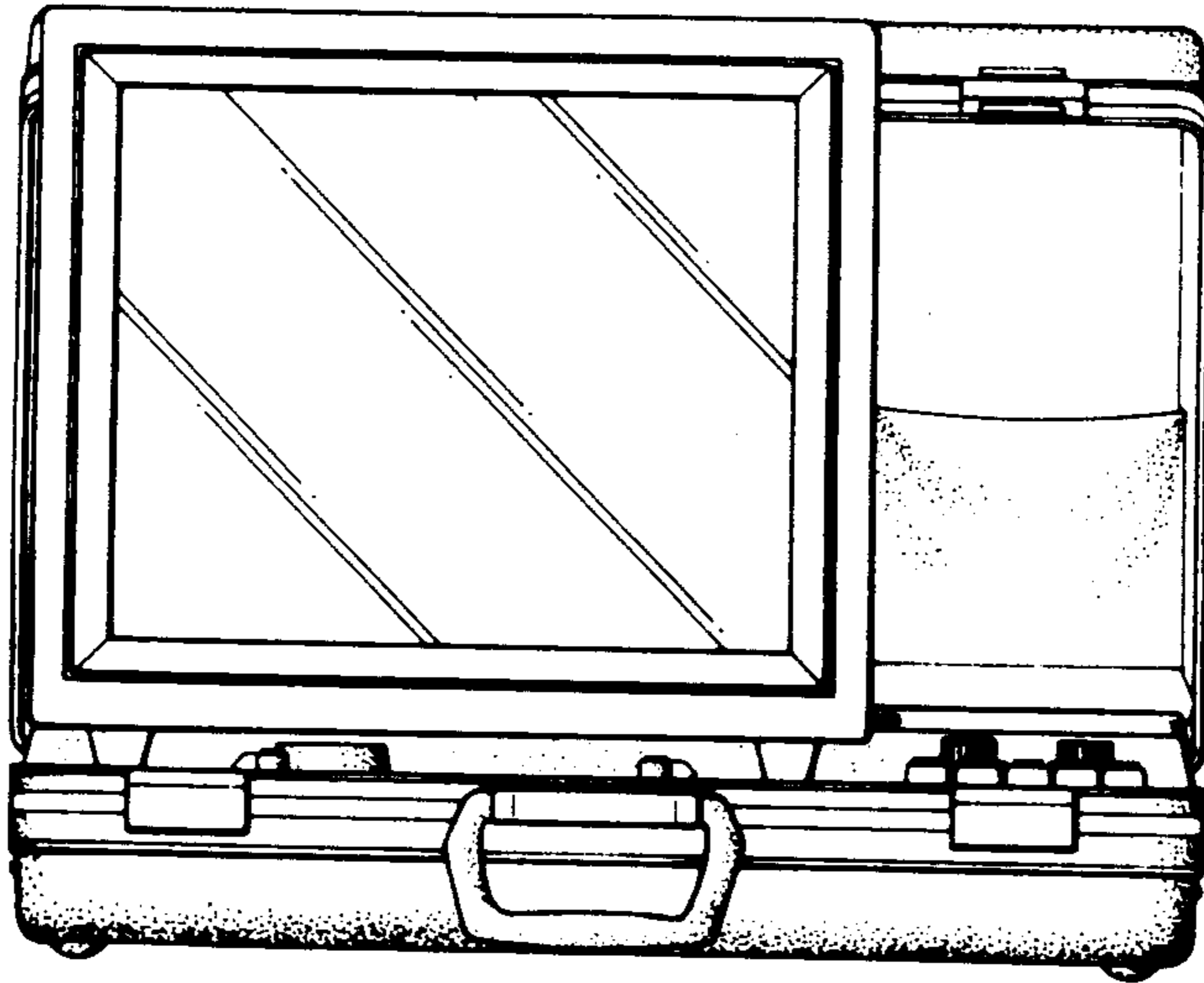


FIG. 3

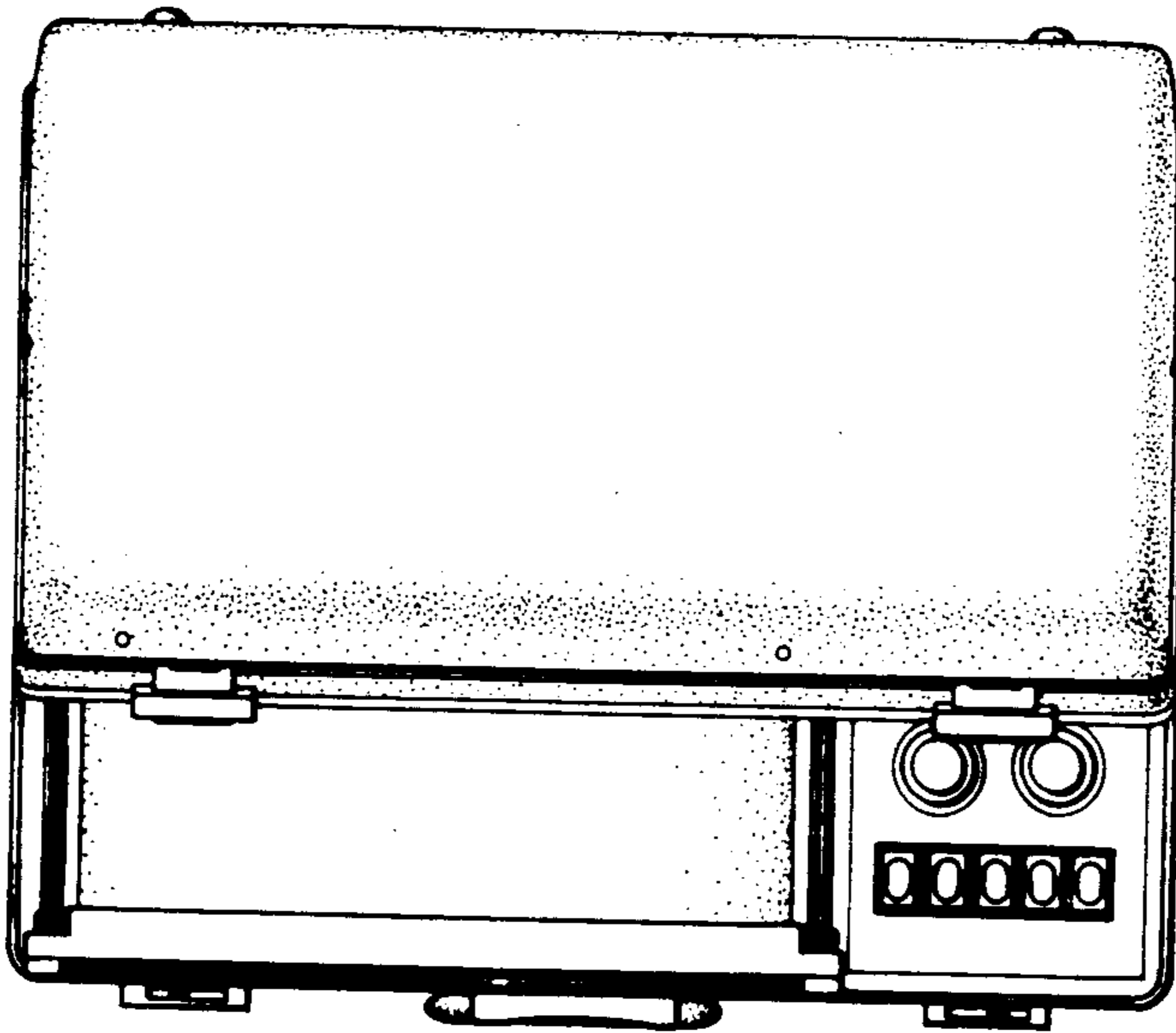


FIG. 4

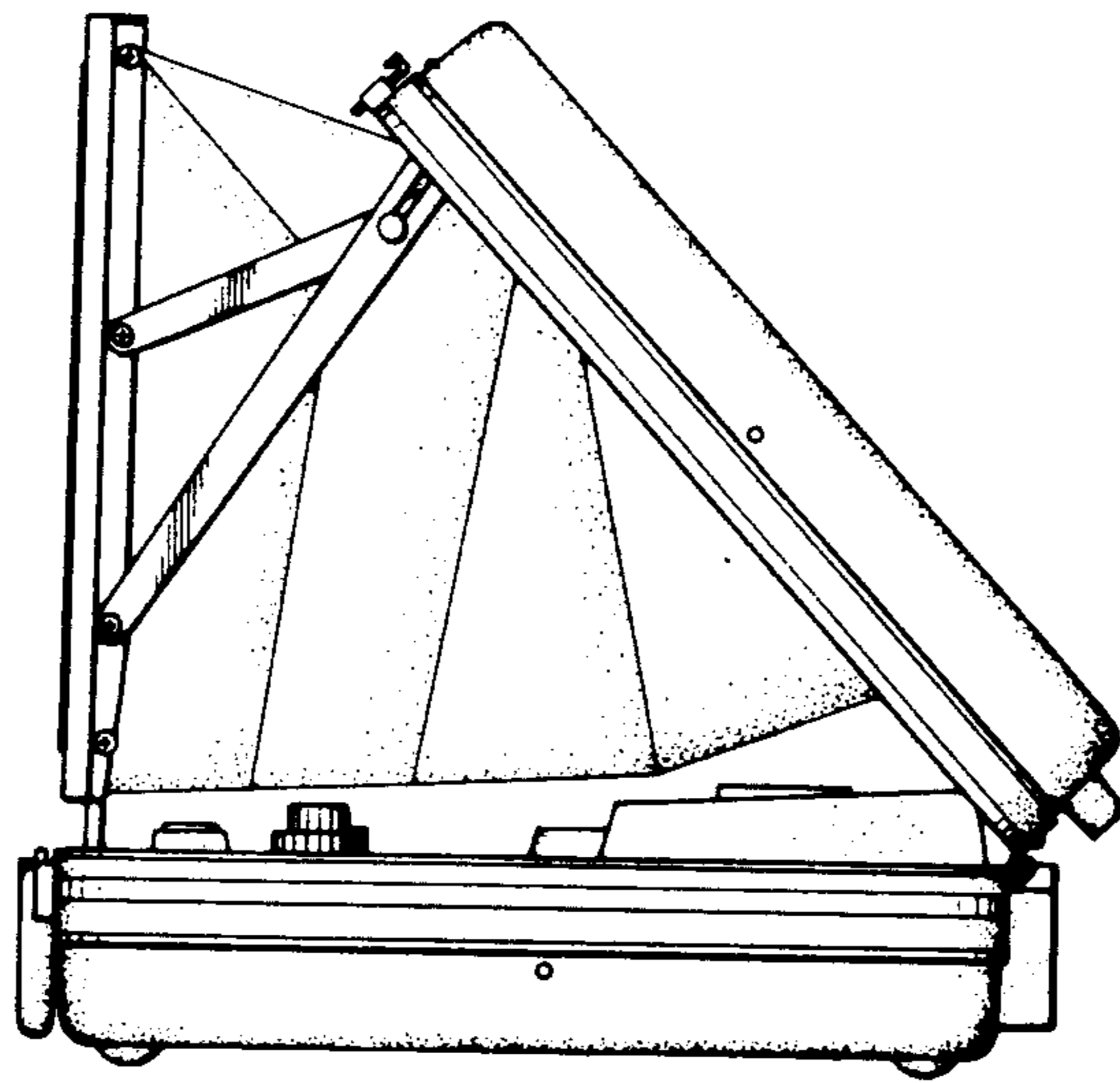


FIG. 5

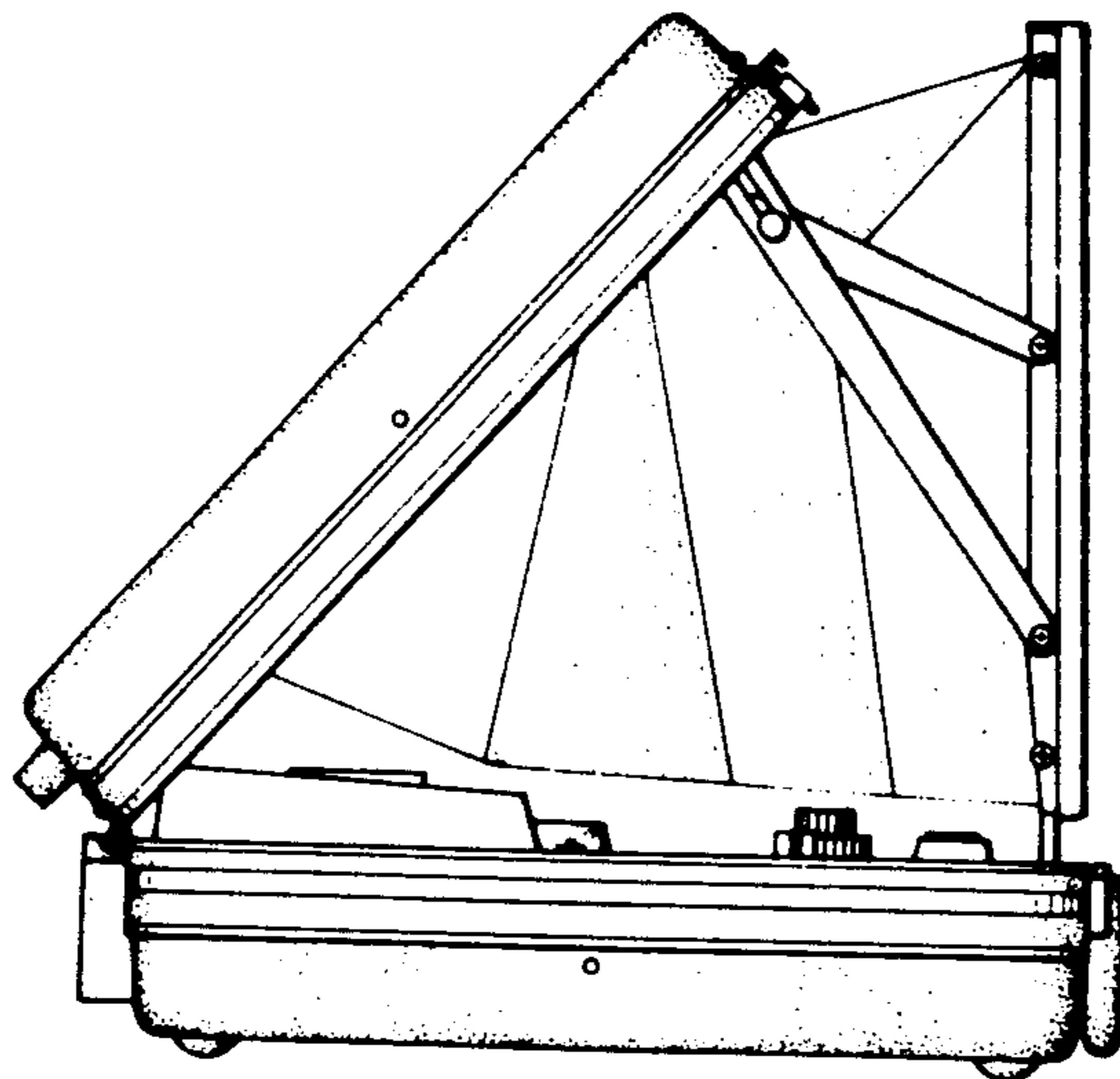


FIG. 6

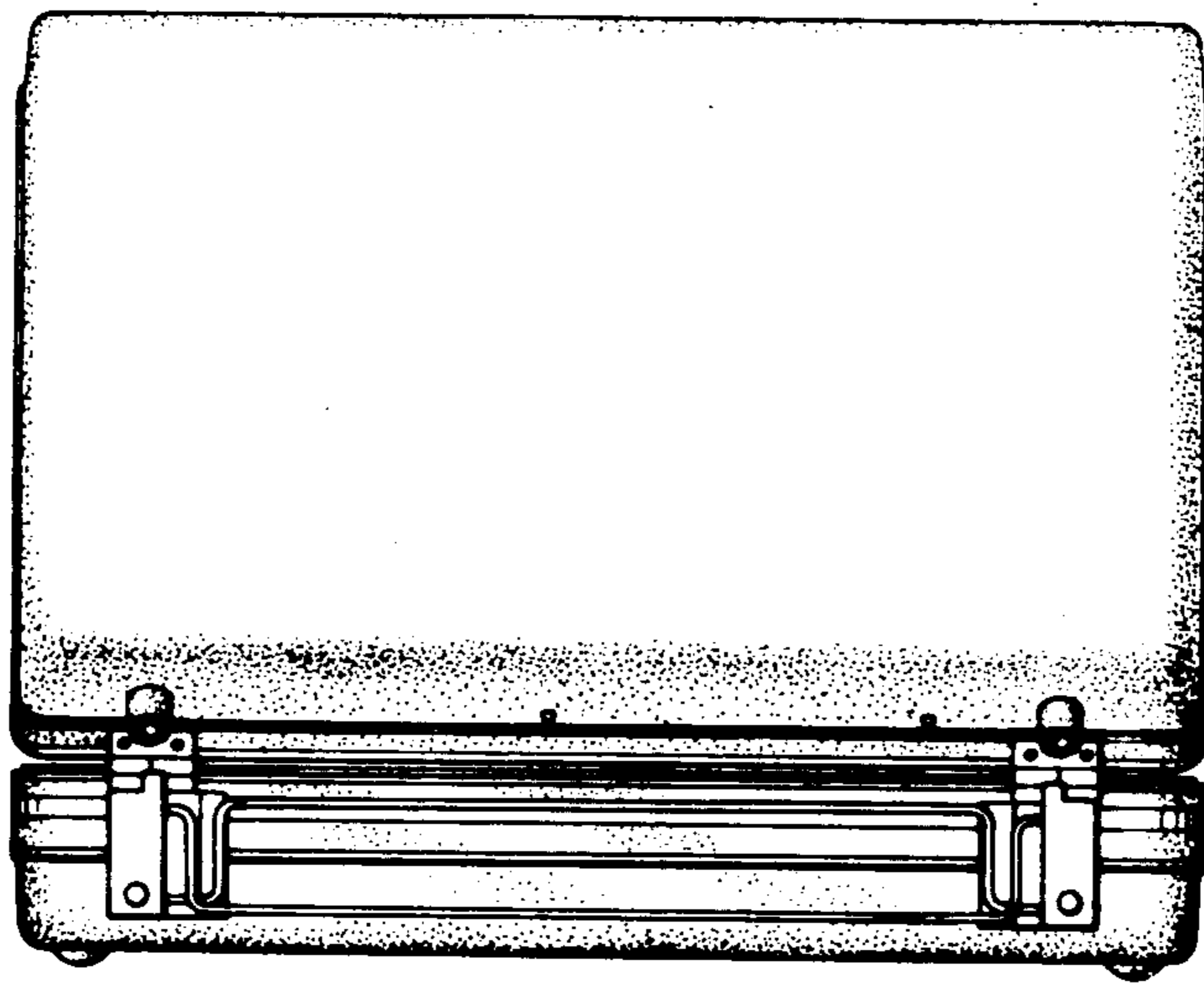


FIG. 7

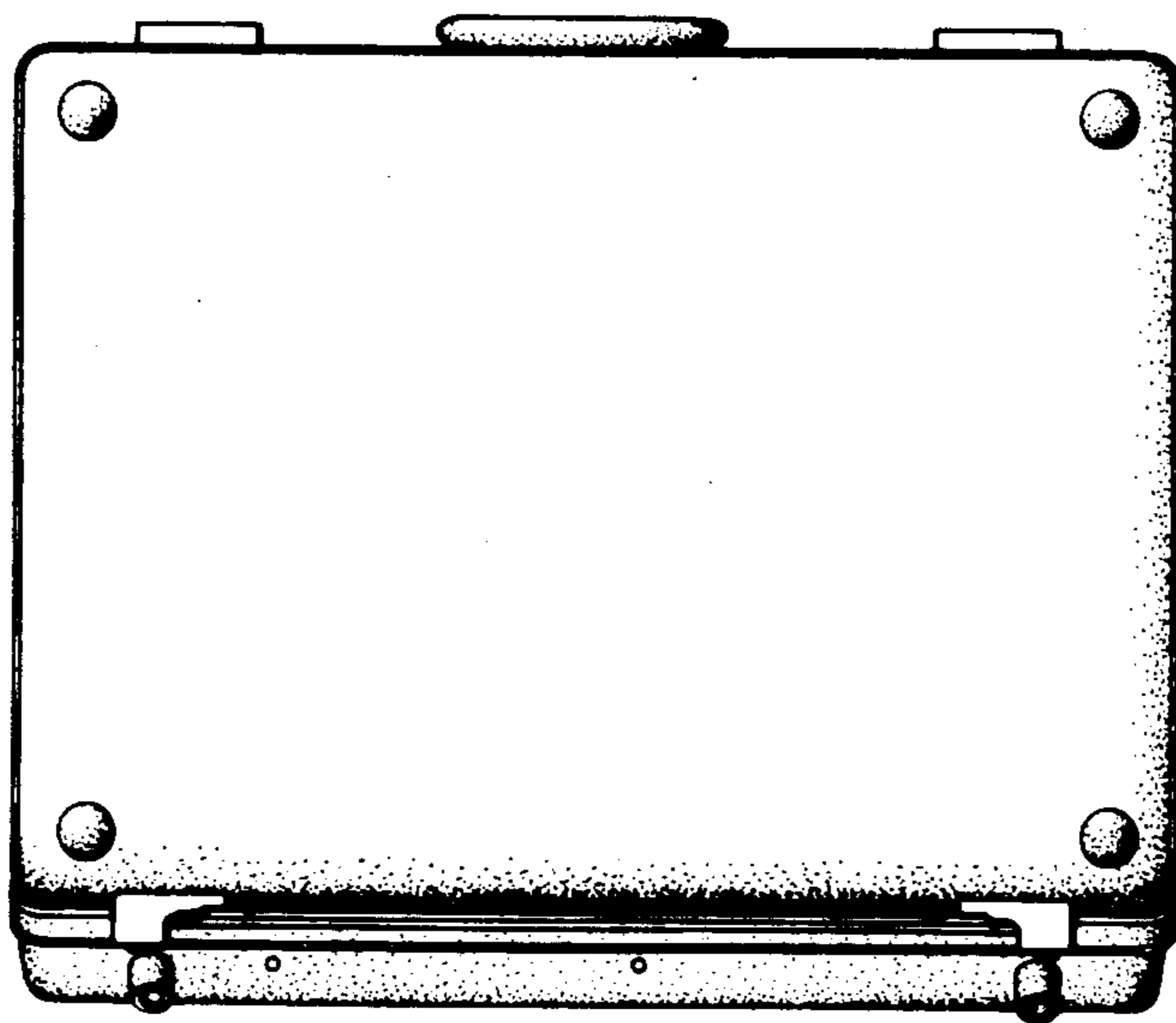


FIG. 8

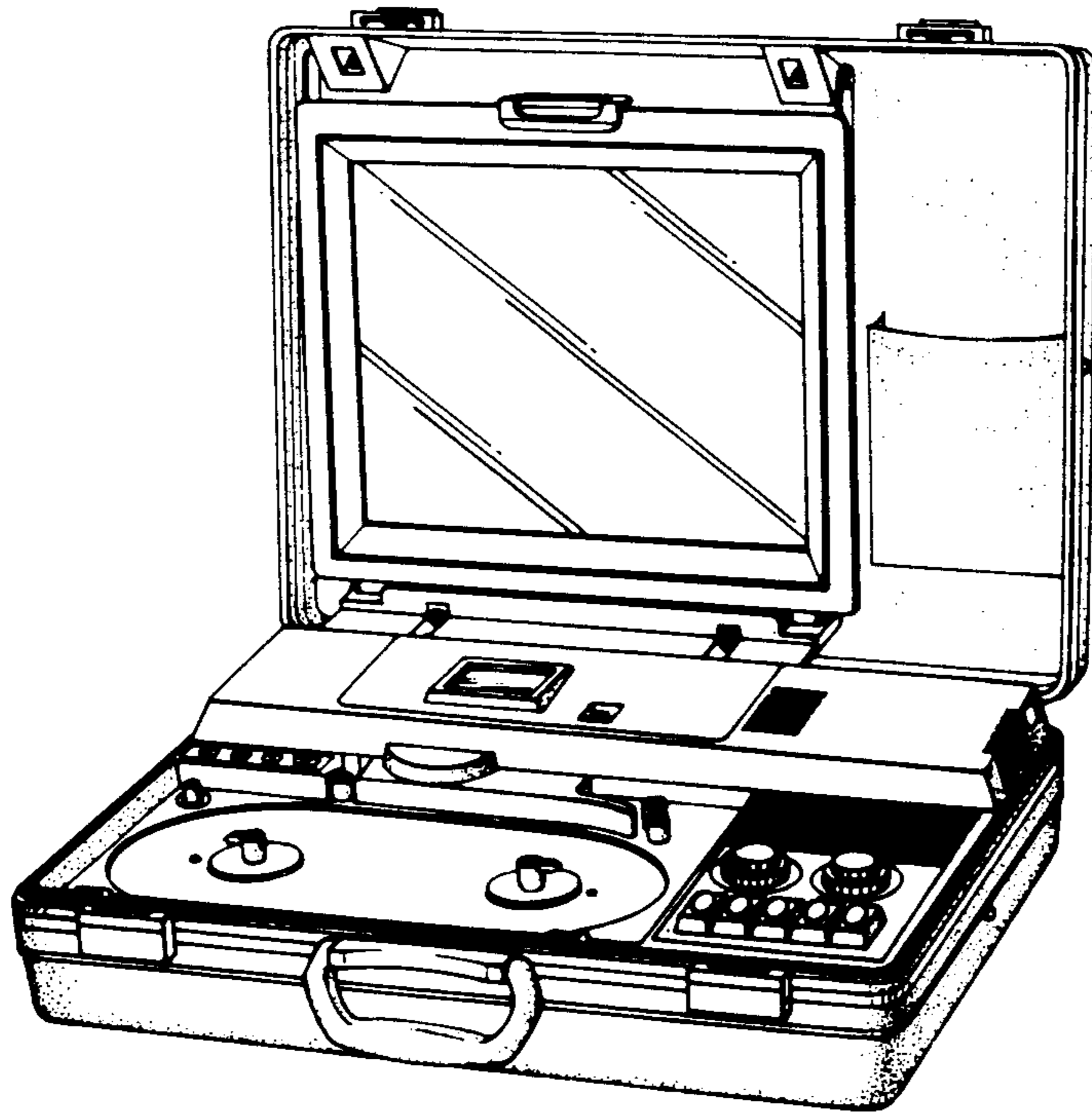


FIG. 9

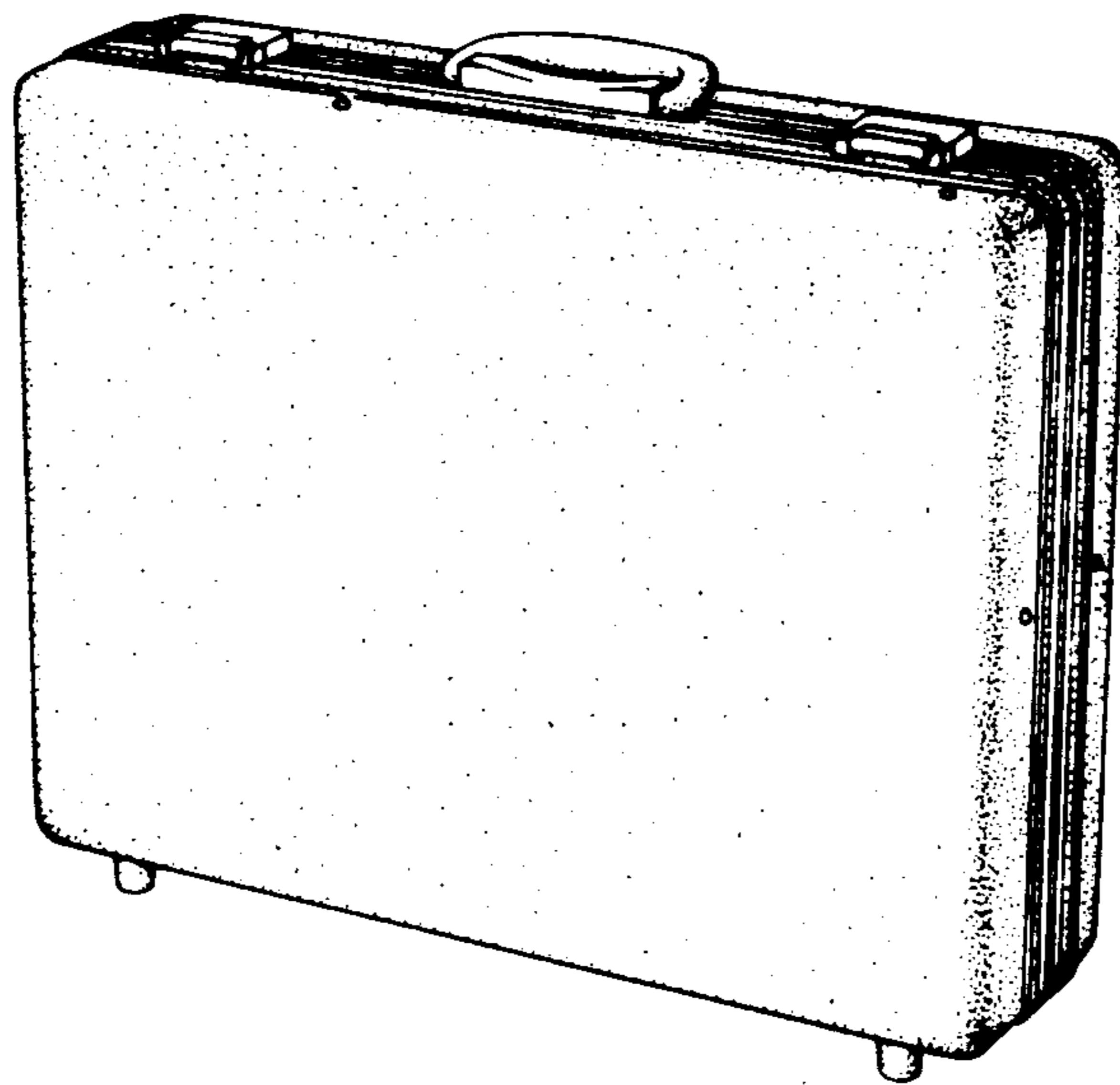


FIG. 10

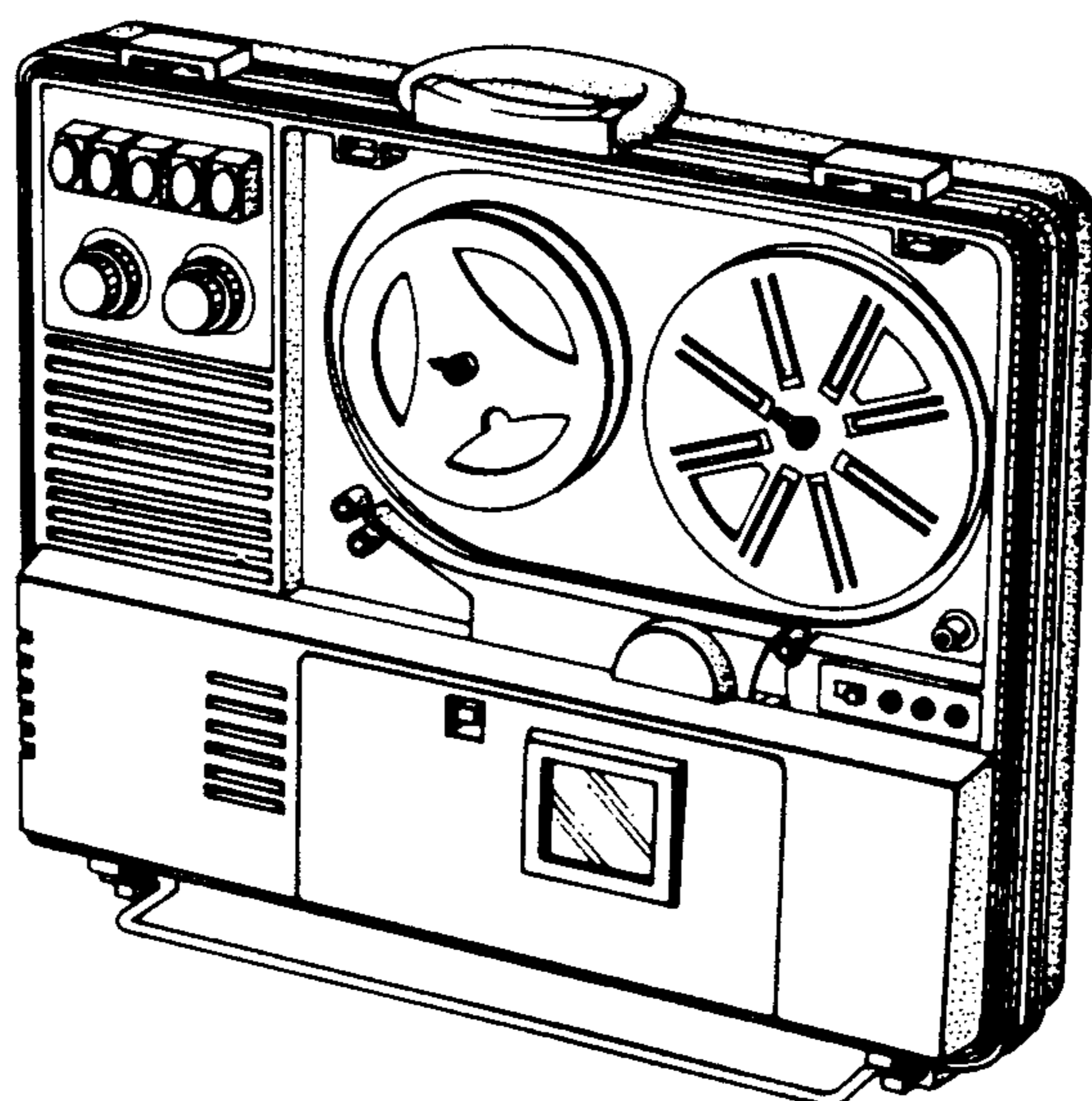


FIG. 11

