

[54] DOUBLE VIEWER CARTRIDGE

[56] References Cited

[75] Inventor: Donald I. Loofbourow, Canby, Oreg.

U.S. PATENT DOCUMENTS

D. 221,999	9/1971	Steinberg et al.	D14/11
3,425,531	2/1969	Fuld	242/71.2 X
3,537,780	11/1970	Angenieux	242/71.2 X

[73] Assignee: GAF Corporation, New York, N.Y.

Primary Examiner—Peter Feldman
Attorney, Agent, or Firm—Walter C. Kehm

[**] Term: 14 Years

[57] CLAIM

[21] Appl. No.: 944,908

The ornamental design for a double viewer cartridge, substantially as shown and described.

[22] Filed: Sep. 22, 1978

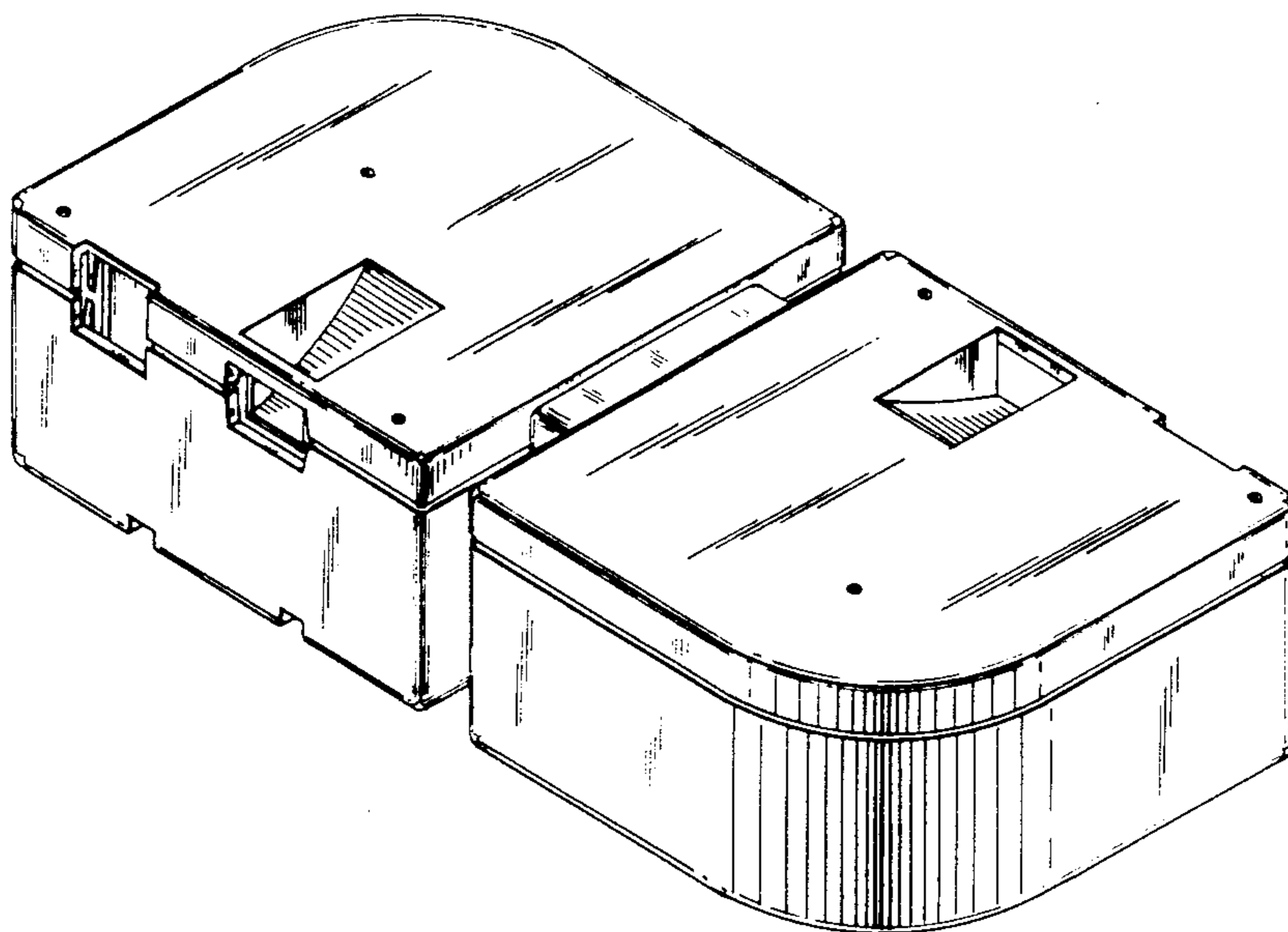
DESCRIPTION

[51] Int. Cl. D14—01

[52] U.S. Cl. D14/11; 242/71.2

[58] Field of Search D14/11; D18/12; 242/71,
242/71.1, 71.2, 193, 194, 197, 198, 199, 200,
55.19 A; 352/72, 78 R

FIG. 1 is a front, top, and right side perspective view of a double viewer cartridge showing my new design; FIG. 2 is a front elevational view thereof, the rear view being identical to the side shown; FIG. 3 is a right side view thereof, the left side view being identical to the side shown; FIG. 4 is a top view thereof; and FIG. 5 is a bottom view thereof.



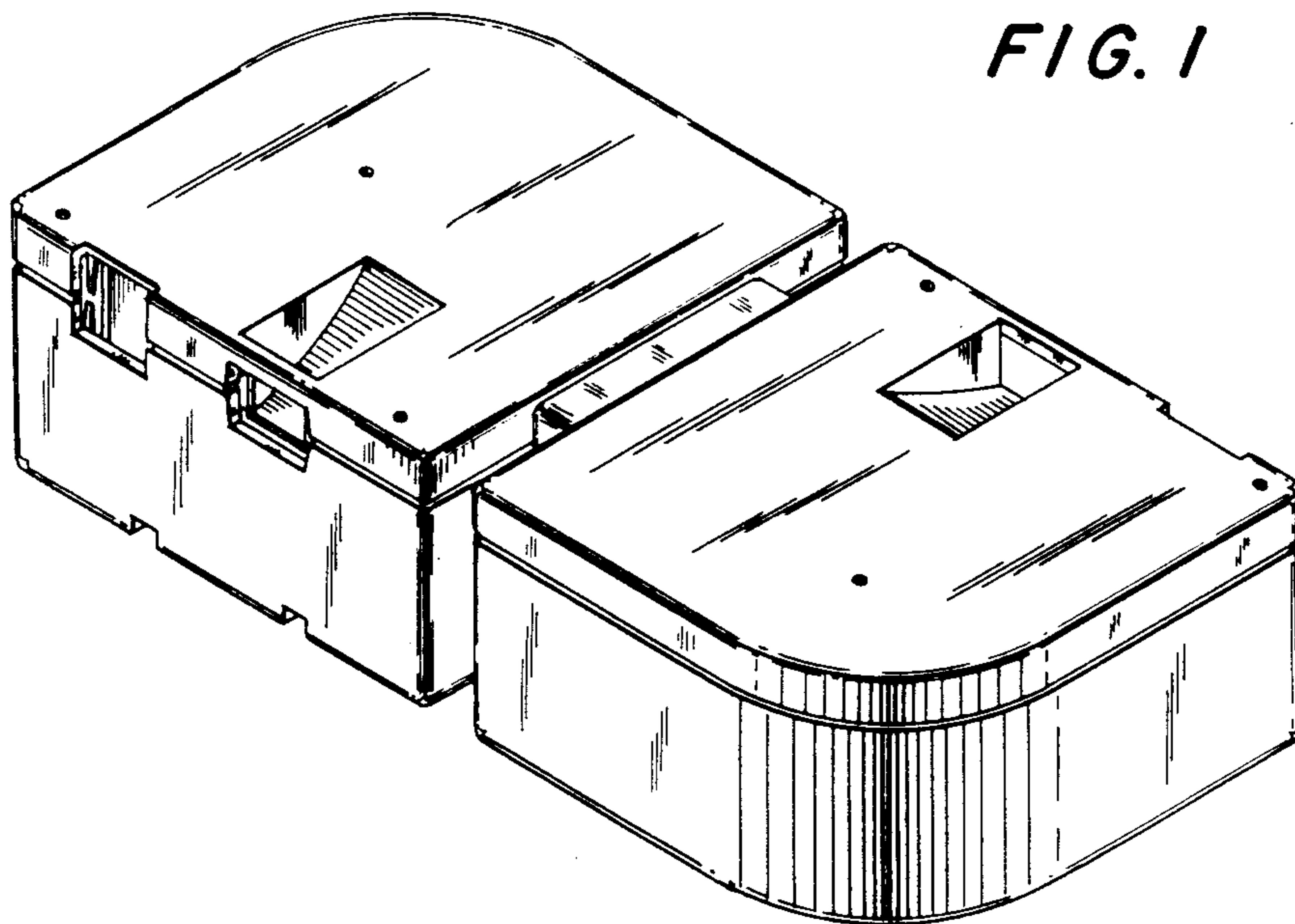


FIG. 1

FIG. 2

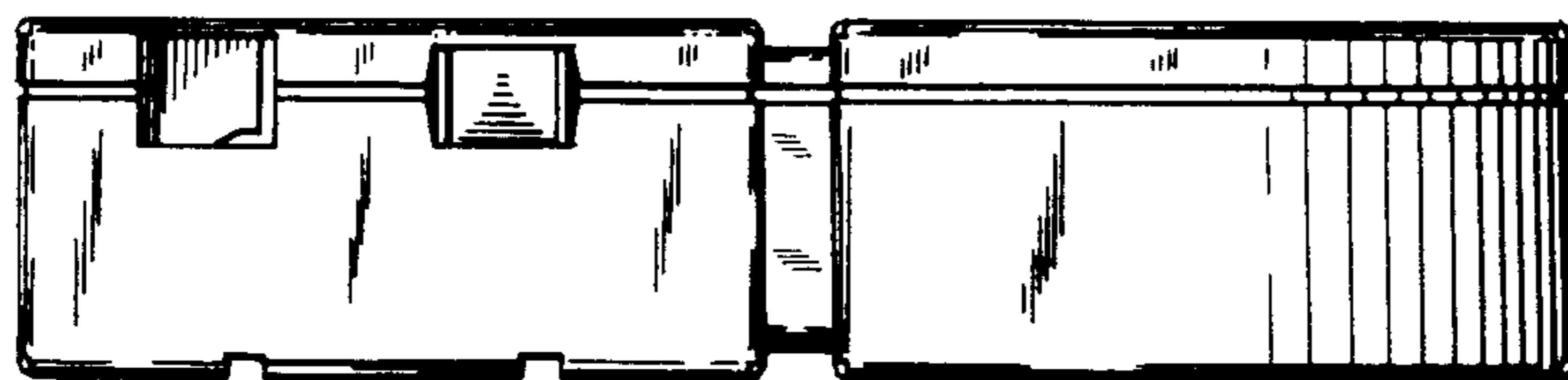


FIG. 3

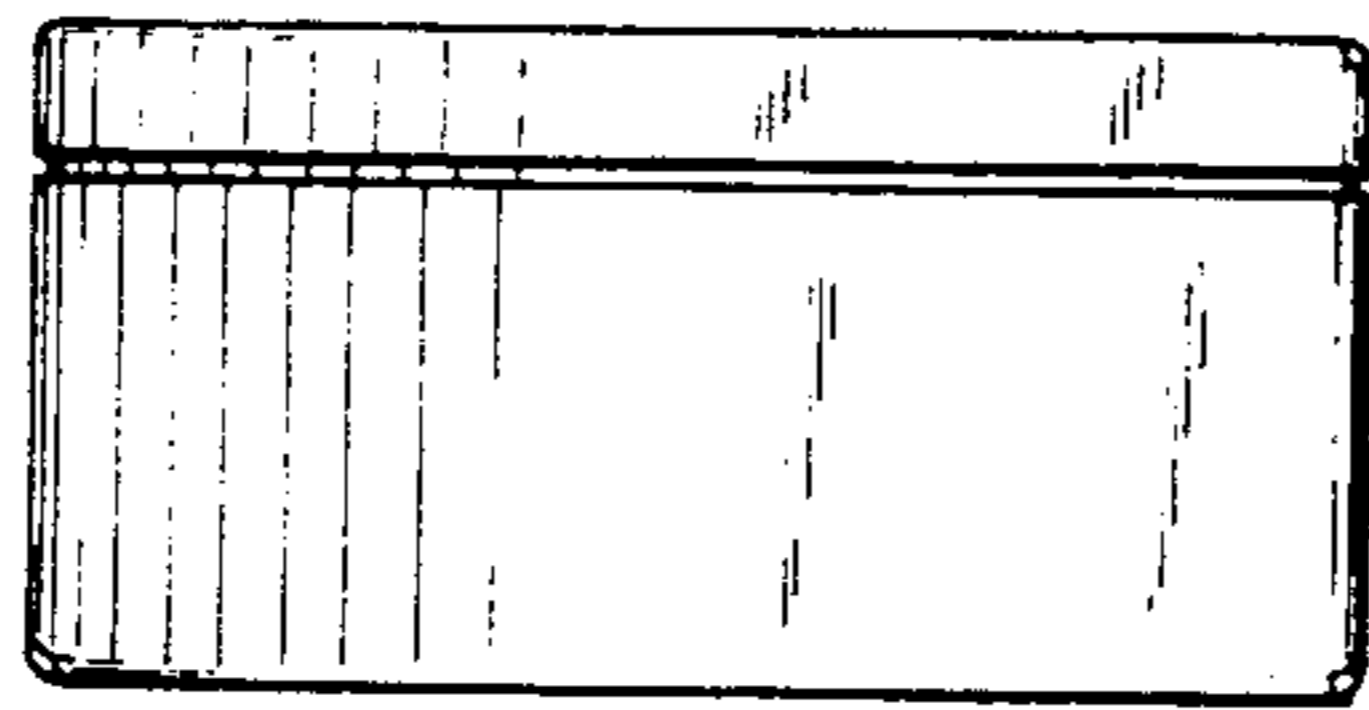


FIG. 4

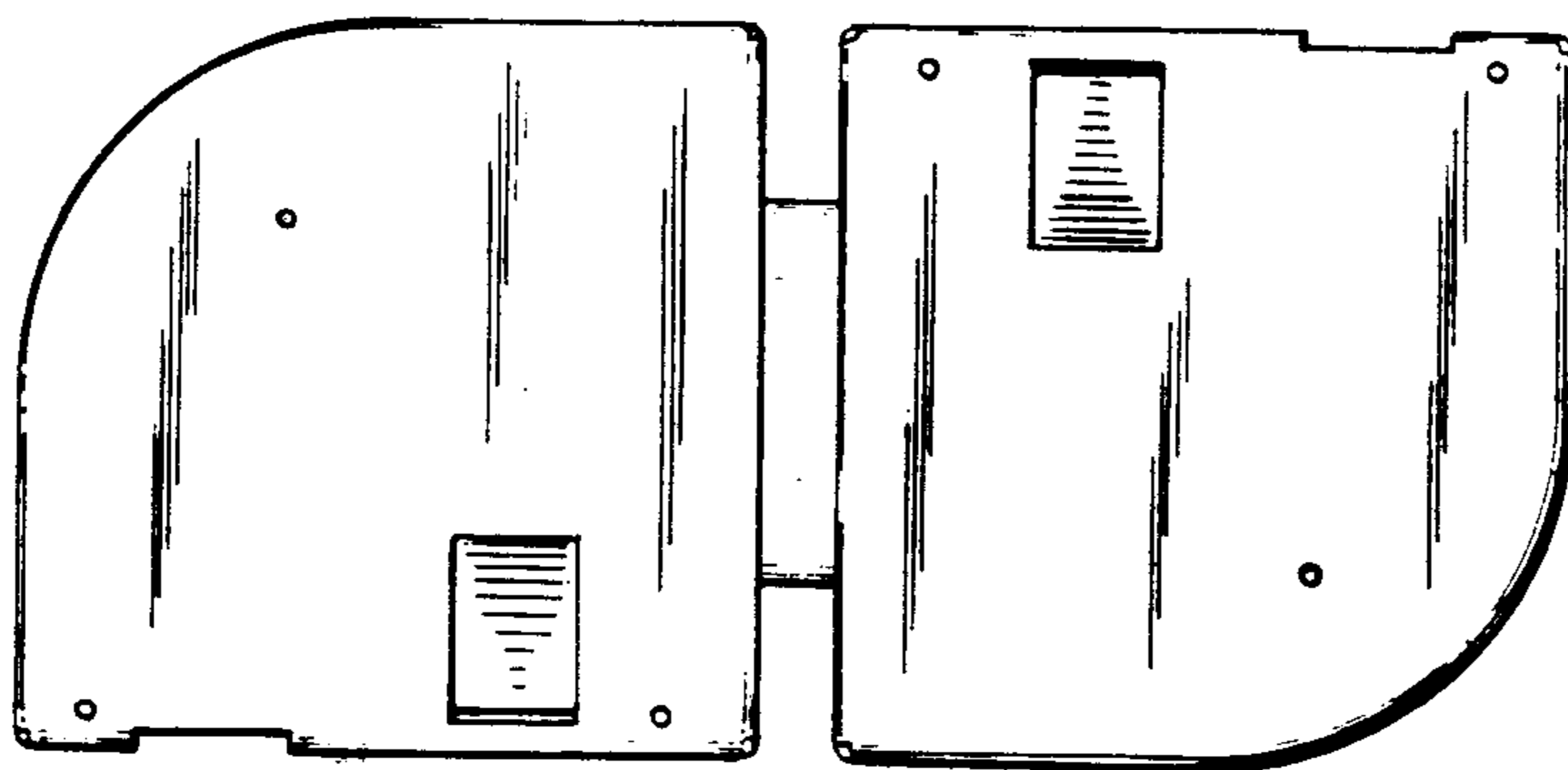


FIG. 5

