

[54] PIVOTAL SUPPORT FOR A WIND DEFLECTOR BLADE

4,155,585 5/1979 Bott ..... 224/324  
4,170,377 10/1979 Ingram ..... 296/15

[75] Inventor: Charles E. Ingram, Warren, Mich.

Primary Examiner—James M. Gandy  
Attorney, Agent, or Firm—Richard P. Barnard

[73] Assignee: Four Star Corporation

[57] CLAIM

[\*\*] Term: 14 Years

The ornamental design for a pivotal support for a wind deflector blade, as shown and described.

[21] Appl. No.: 939,907

[22] Filed: Sep. 5, 1978

DESCRIPTION

[51] Int. Cl. .... D12-16

FIG. 1 is a side elevational view of a pivotal support for a wind deflector blade showing my new design;

[52] U.S. Cl. .... D12/181

FIG. 2 is a side elevational view thereof as seen from the side opposite that of FIG. 1;

[58] Field of Search ..... D12/157, 181; 224/316, 224/324; 296/15, 91

FIG. 3 is a top plan view thereof;

[56] References Cited

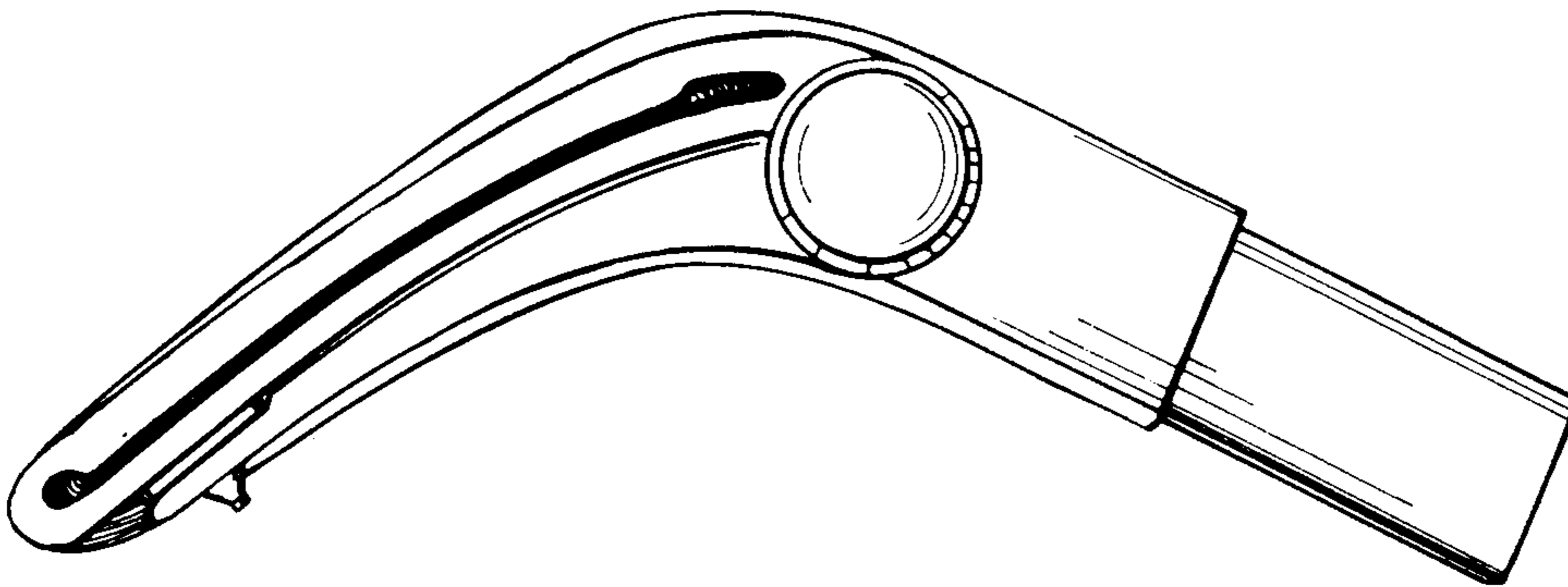
FIG. 4 is a bottom plan view thereof;

U.S. PATENT DOCUMENTS

FIG. 5 is an end elevational view thereof, and

3,519,178 7/1970 Helm et al. .... 224/316

FIG. 6 is an end elevational view thereof as seen from the end opposite that of FIG. 5.



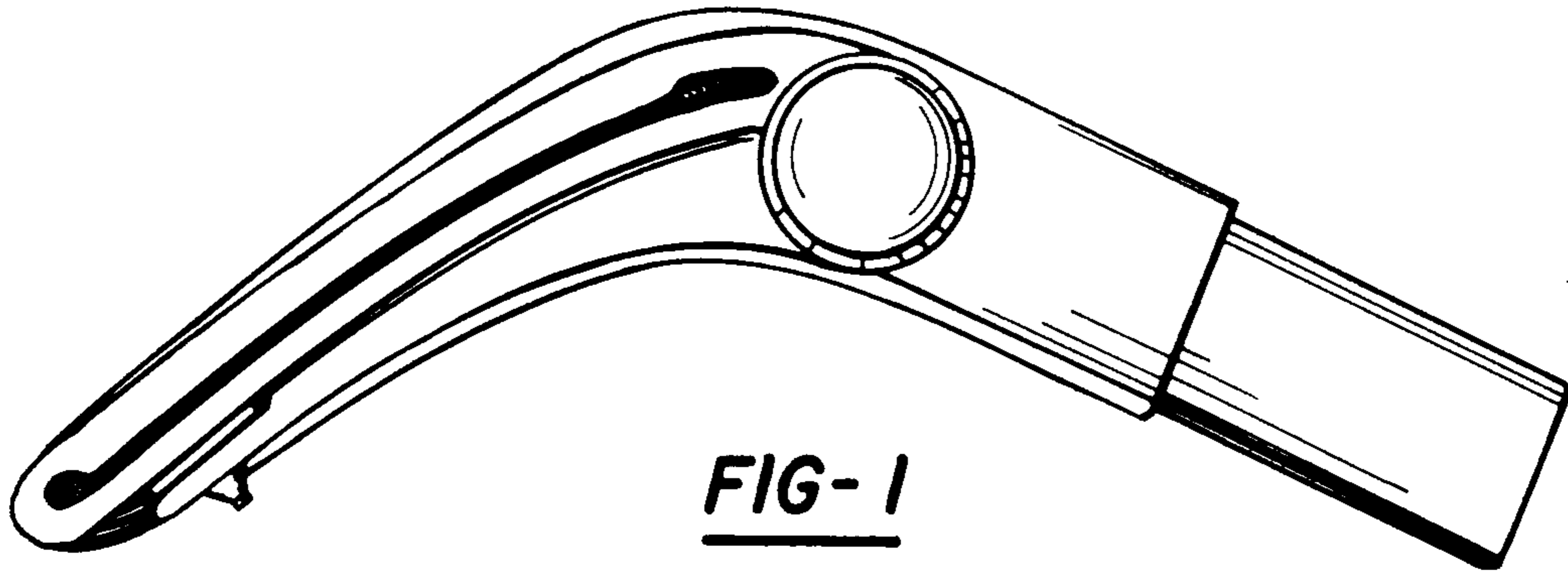


FIG-1



FIG-2

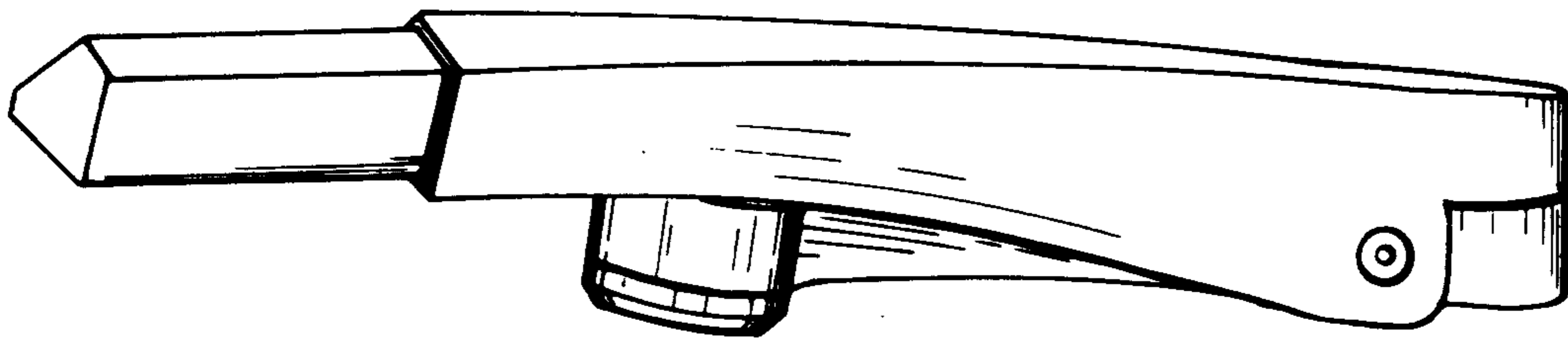


FIG-4

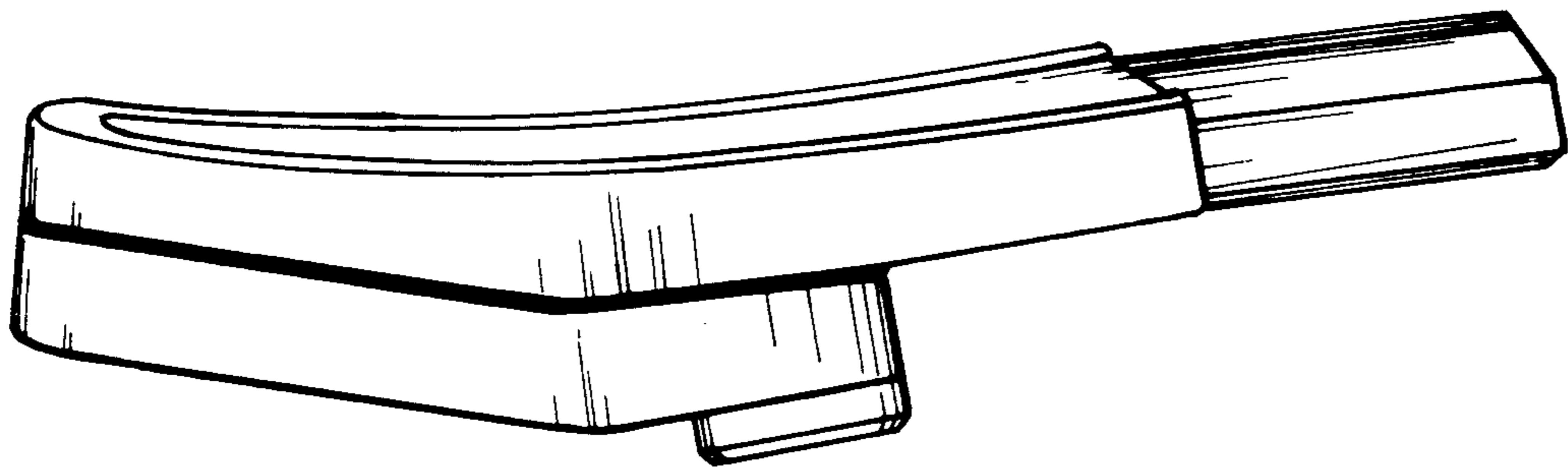


FIG-3

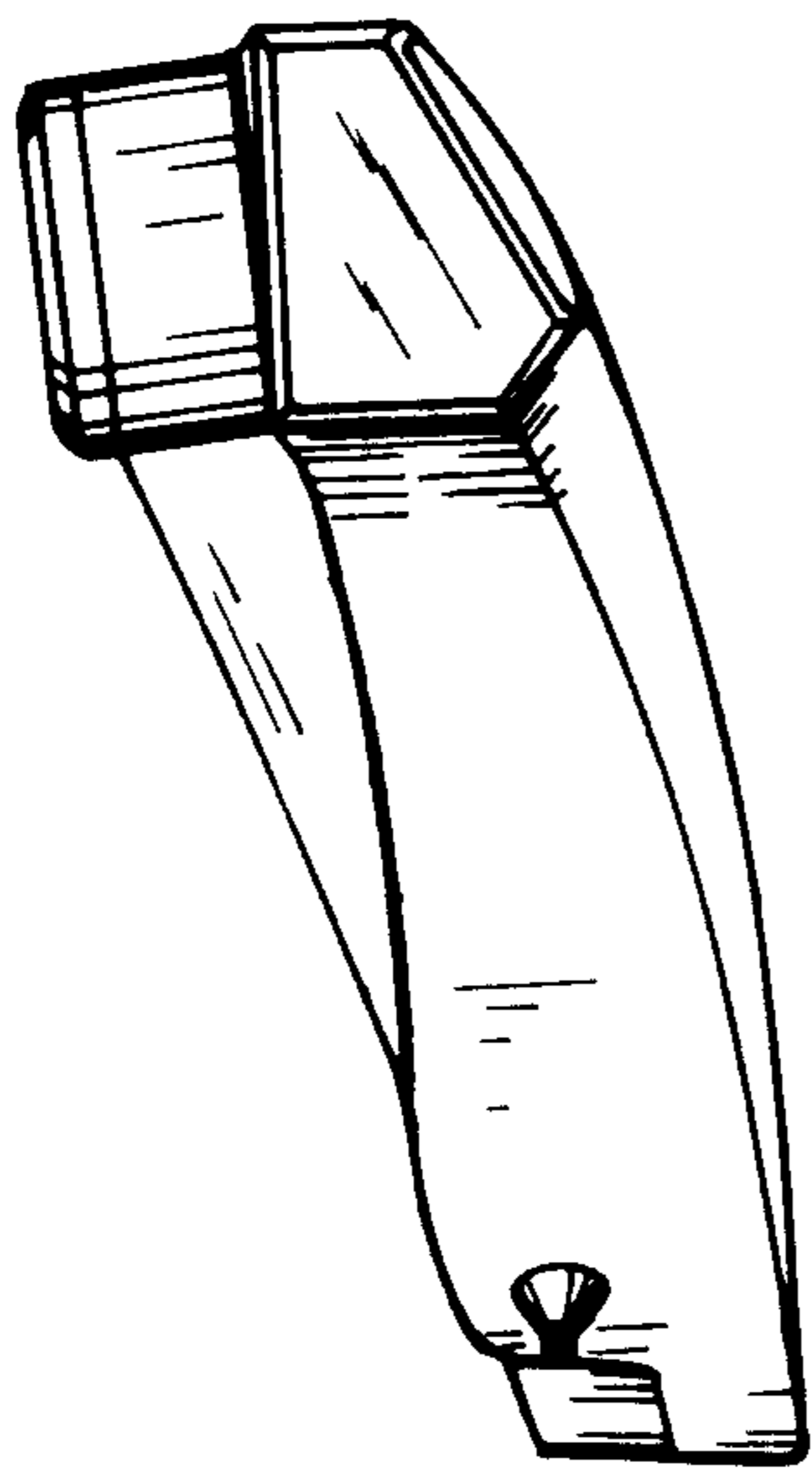


FIG-5

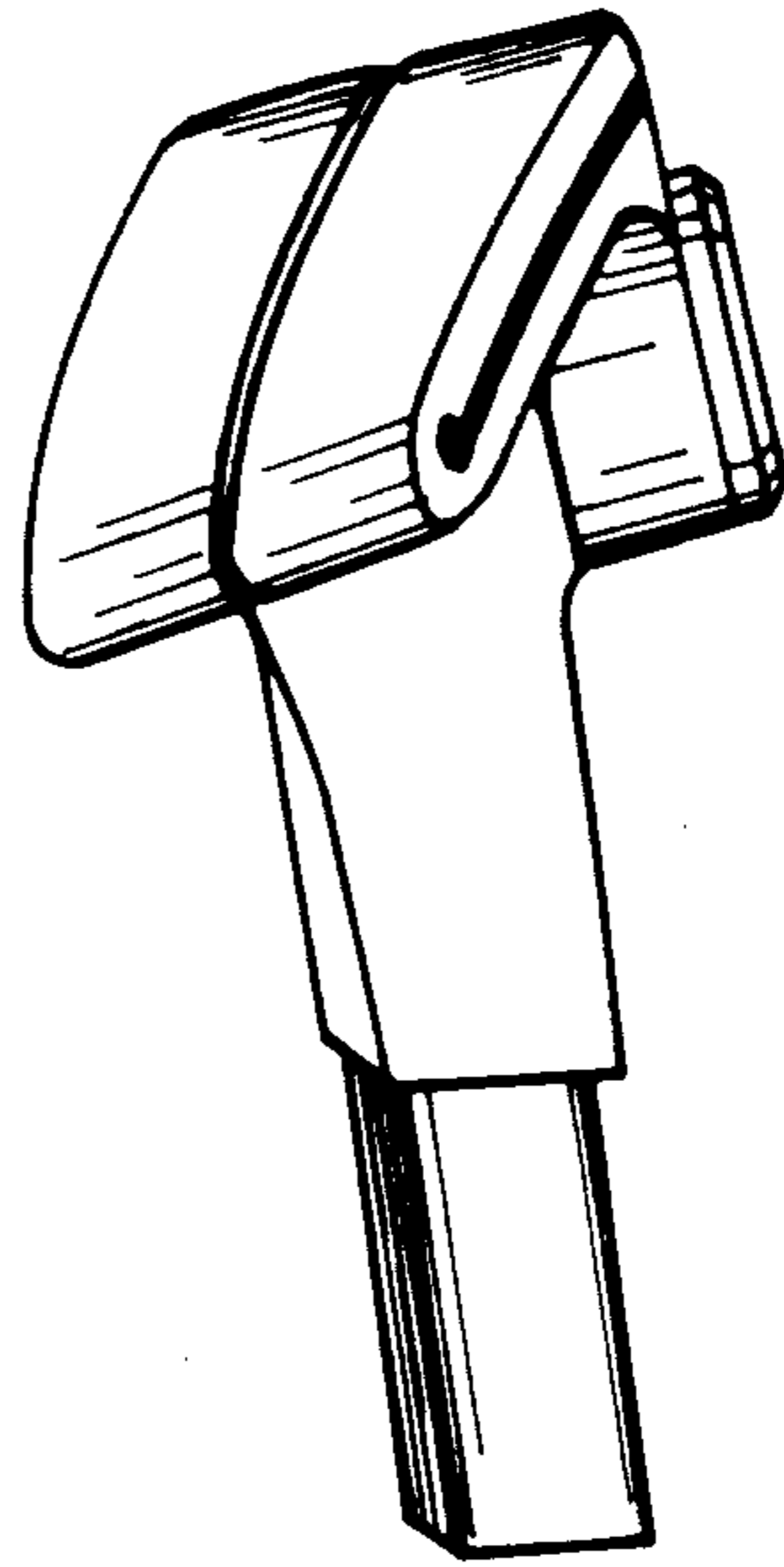


FIG-6