

[54] **REFUSE TRUCK BODY**

[75] **Inventor:** Fred T. Smith, Palos Verdes Peninsula, Calif.

[73] **Assignee:** Sargent Industries, Inc., Los Angeles, Calif.

[**] **Term:** 14 Years

[21] **Appl. No.:** 876,190

[22] **Filed:** Feb. 8, 1978

[51] **Int. Cl.** D12-08

[52] **U.S. Cl.** D12/15

[58] **Field of Search** D12/15, 96, 93;
414/472, 525

[56] **References Cited**

U.S. PATENT DOCUMENTS

D. 231,916 6/1974 Smith D12/96
2,837,230 6/1958 Herterich 414/472

Primary Examiner—James M. Gandy
Attorney, Agent, or Firm—Ellsworth R. Roston

[57] **CLAIM**

The ornamental design for refuse truck body, as shown and described.

DESCRIPTION

FIG. 1 is a perspective view of a refuse truck body showing my new design;

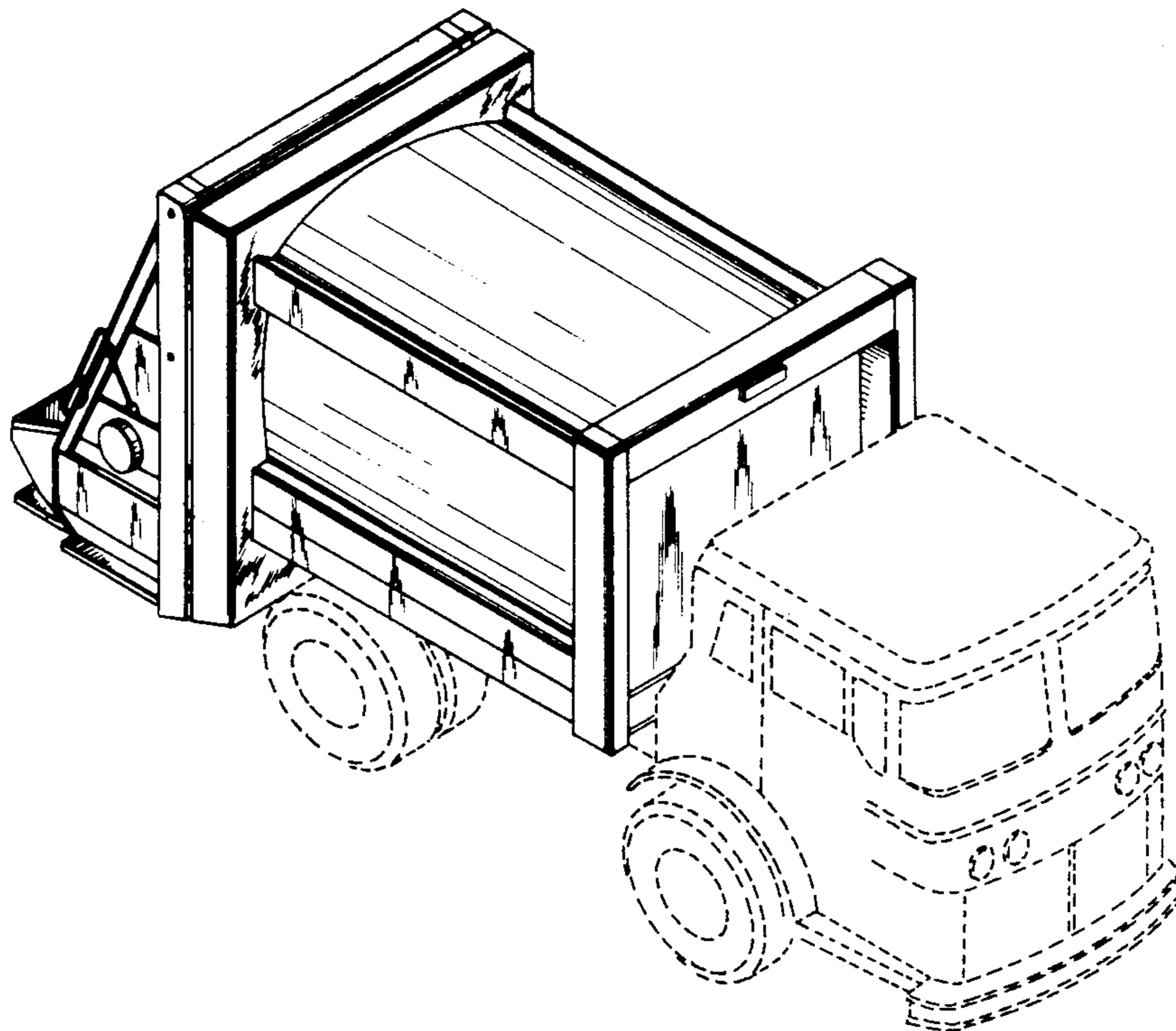
FIG. 2 is a side elevational view thereof;

FIG. 3 is a rear elevational view thereof;

FIG. 4 is a front elevational view thereof; and

FIG. 5 is a top plan view thereof.

The broken lines in the drawing are for illustrative purposes only.



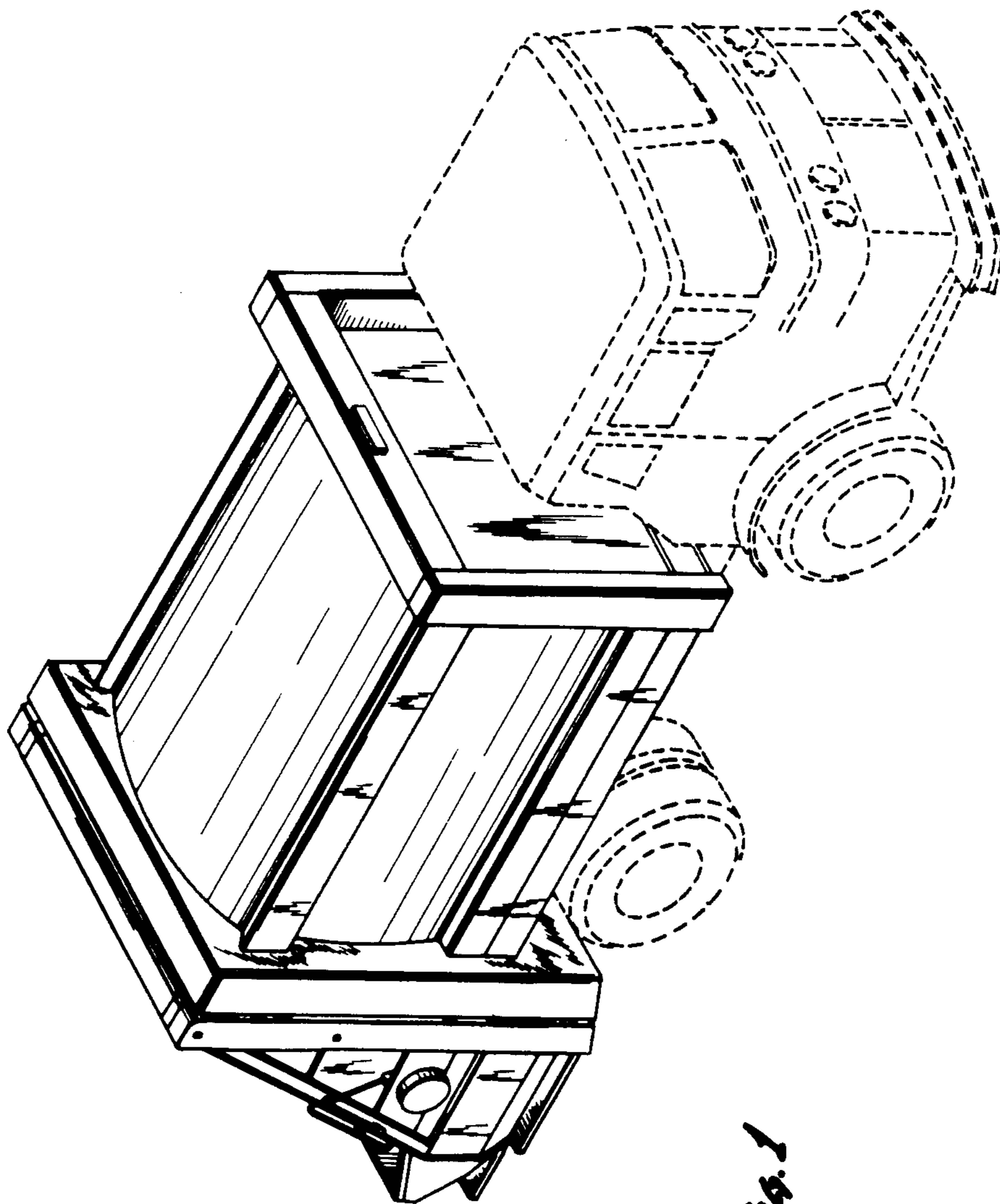
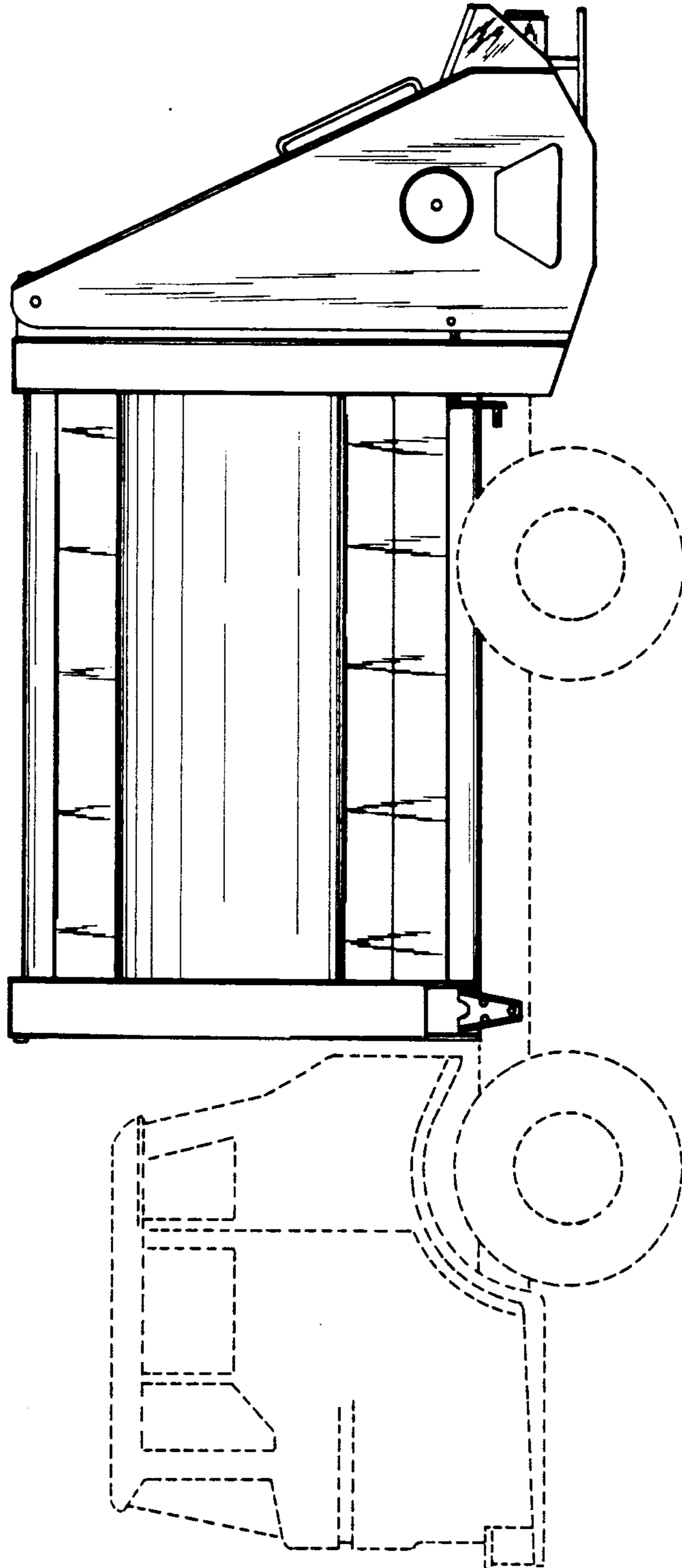


Fig. 1

Fig. 2



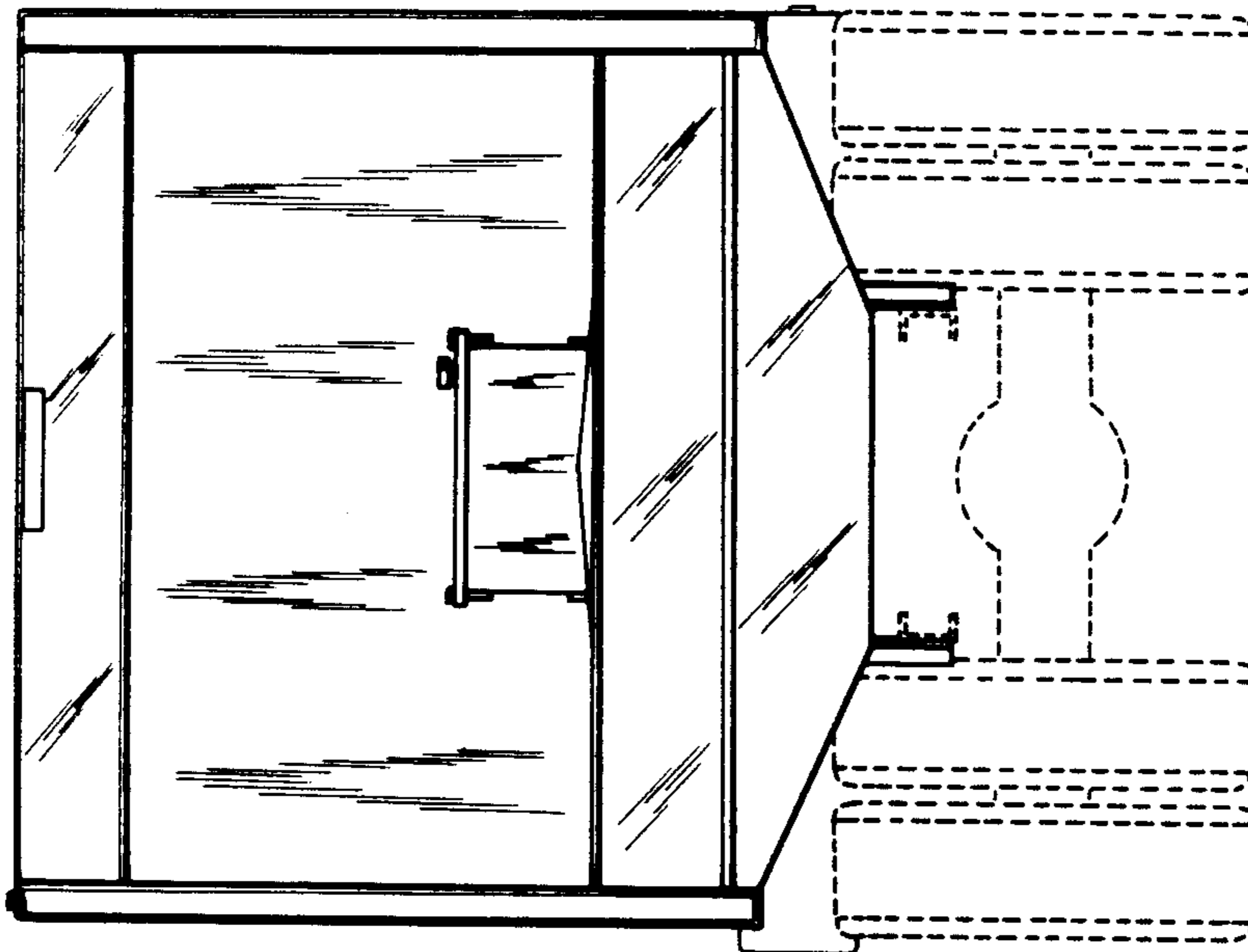


Fig. 4

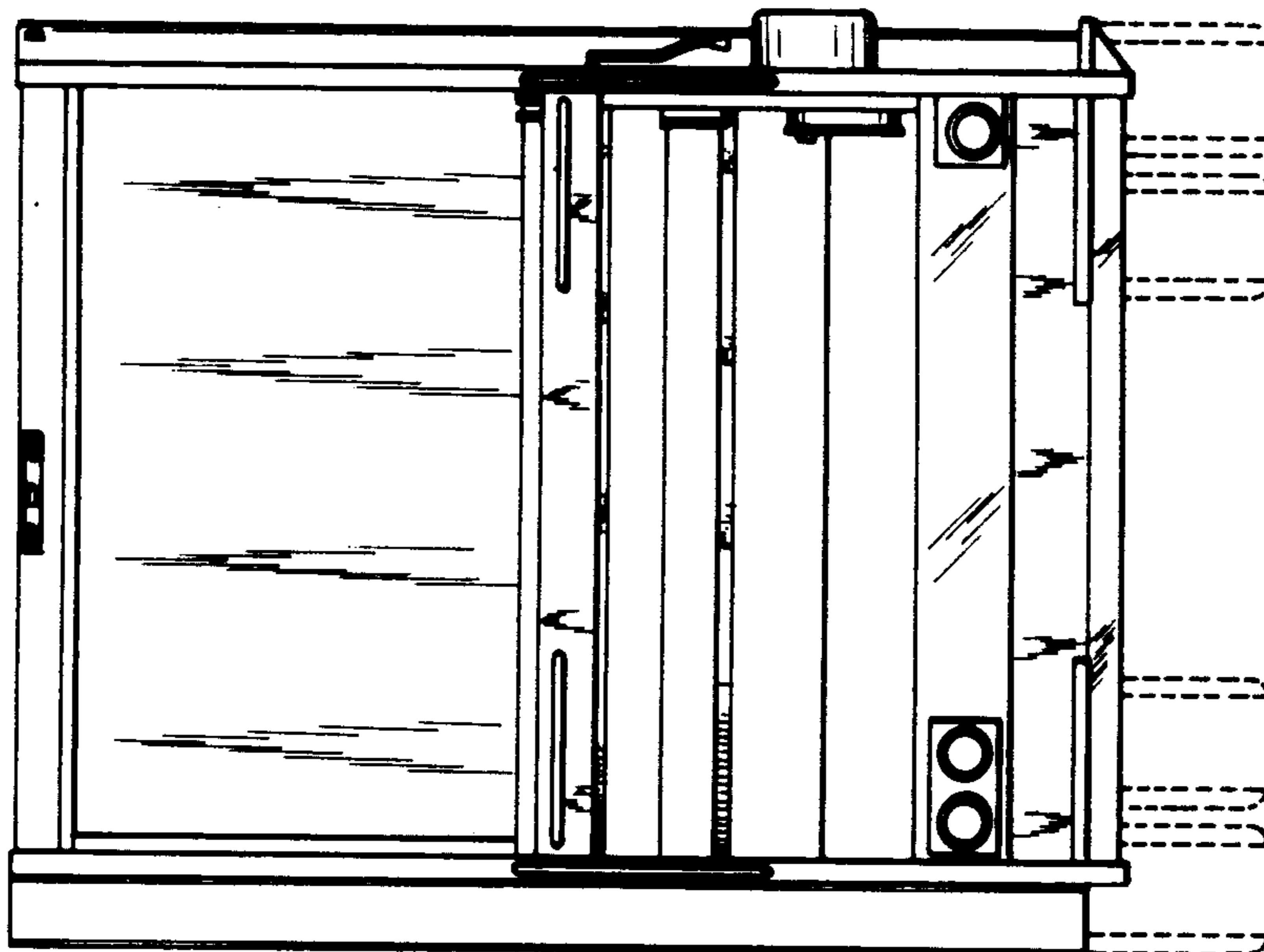


Fig. 3

Fig. 5

