

[54] DECANTER 470,458 3/1892 Vogeler D9/26 X
 [76] Inventor: David W. Y. Yeung, Tung Chai Bldg., 2,477,143 7/1949 Rubin 215/228
 7th Fl., 88-90 Wellington St., Hong 2,769,899 11/1956 McInnis D48/20 R
 Kong, Hong Kong 3,225,186 12/1965 Duncan D48/20 R

[**] Term: 14 Years

[21] Appl. No.: 873,110

[22] Filed: Jan. 30, 1978

[51] Int. Cl. D9-01

[52] U.S. Cl. D9/307

[58] Field of Search D48/24 R; D9/23, 26;
215/1 R, 1 C, 228; 229/8

[56] References Cited

U.S. PATENT DOCUMENTS

D. 1,549 3/1862 Marcy D48/24 R
 D. 27,259 6/1897 Brown D9/26
 D. 150,891 9/1948 Rubin D9/26

OTHER PUBLICATIONS

Montgomery Ward and Company, Fall and Winter 1955-1956 catalog, p. 639, items 30 and 38, lamps.

Primary Examiner—Robert C. Spangler

[57] CLAIM

The ornamental design for a decanter, as shown and described.

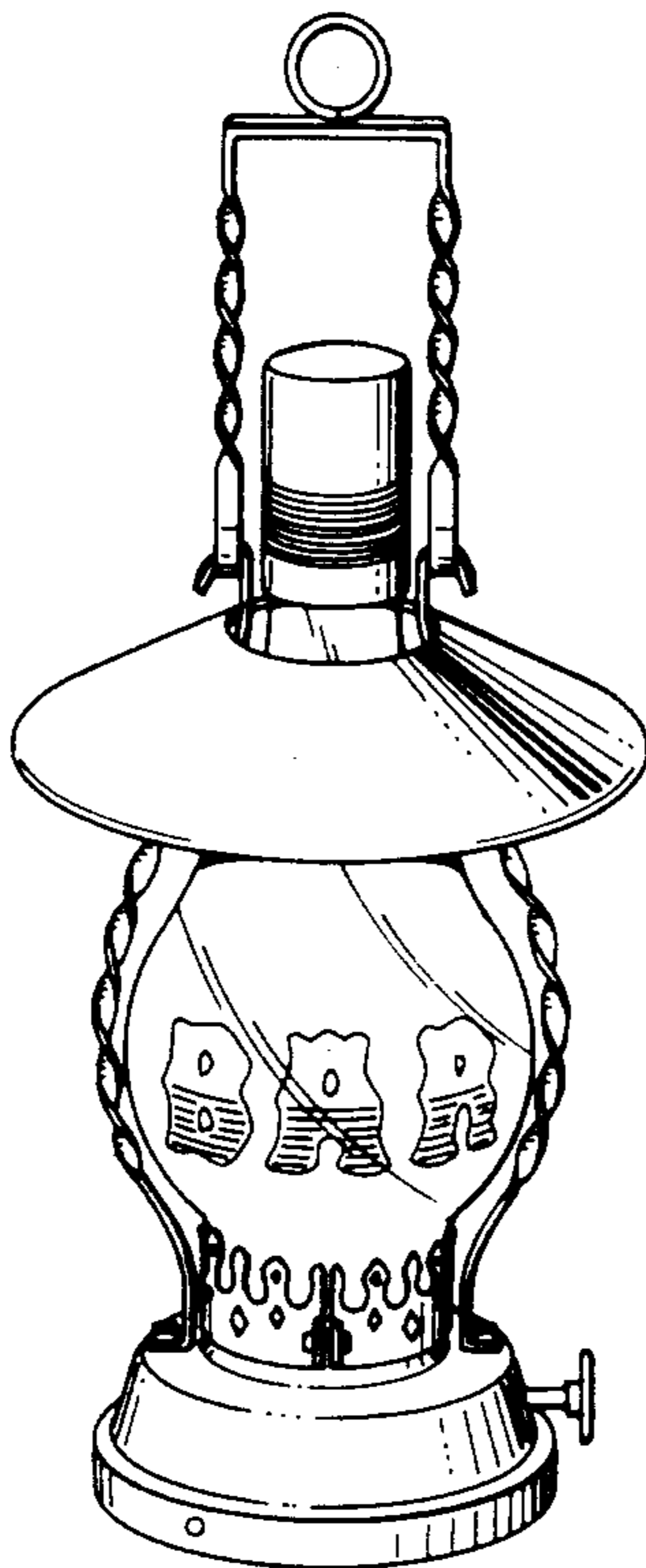
DESCRIPTION

FIG. 1 is a perspective view of a decanter showing my new design;

FIG. 2 is a plan view;

FIG. 3 is a front elevational view;

FIG. 4 is a right side elevational view.



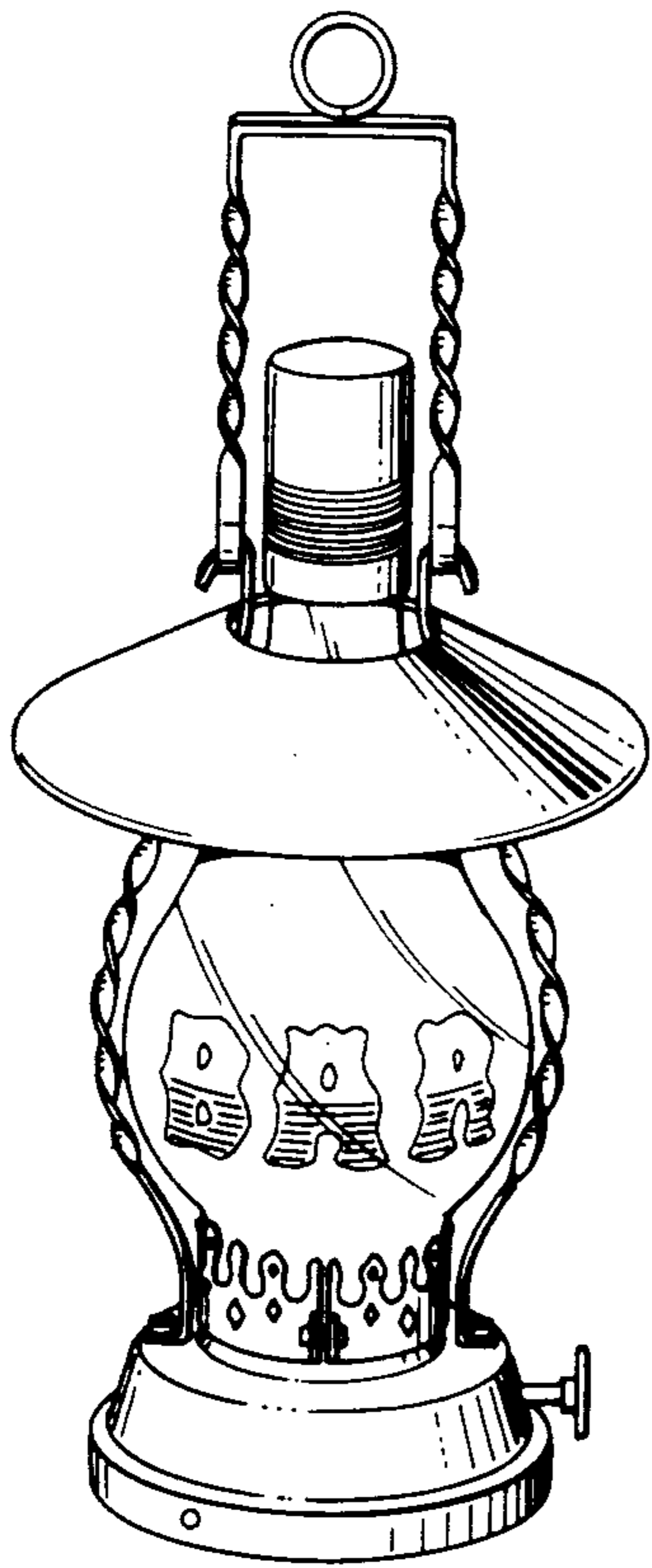


FIG. 1.

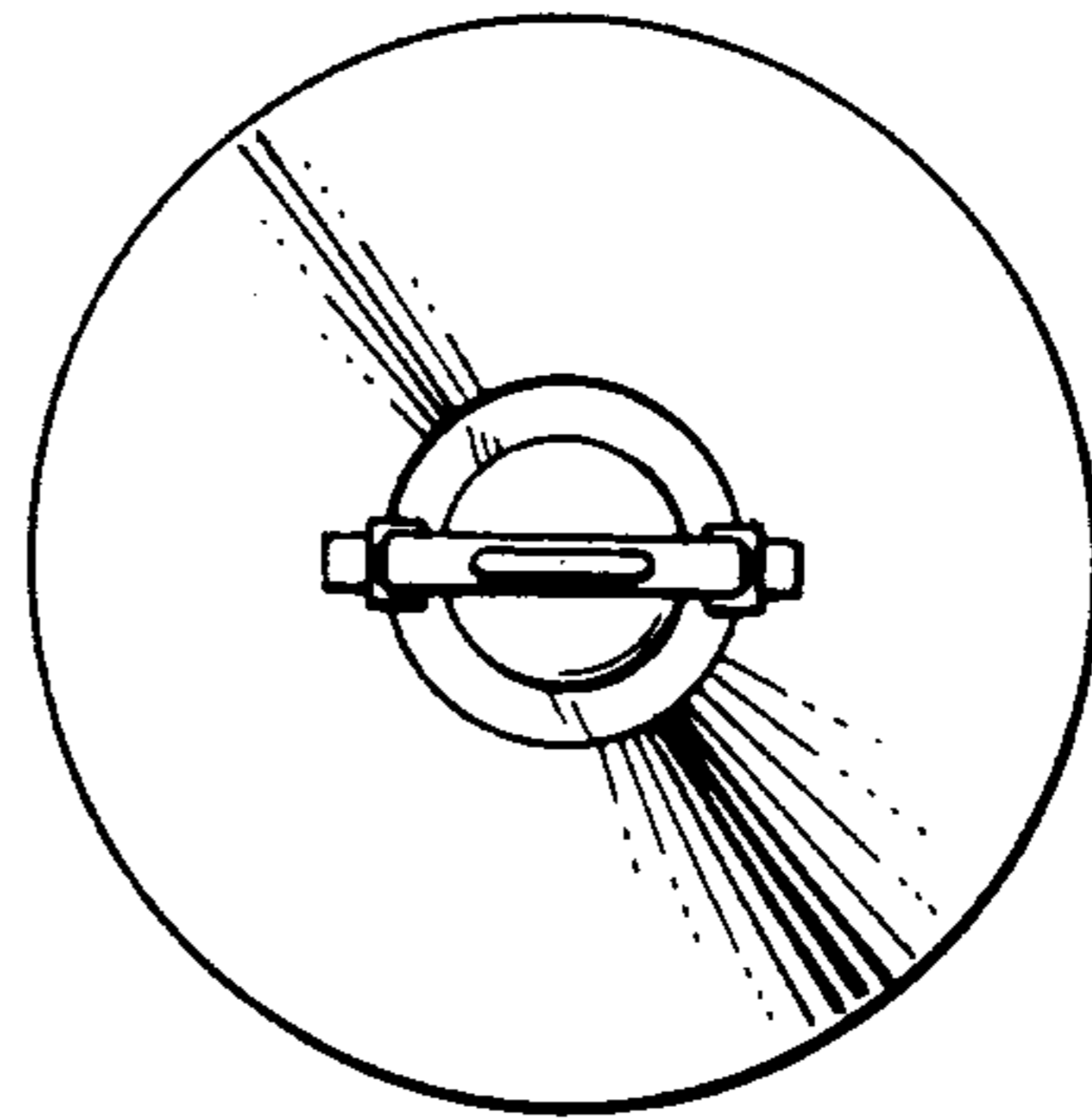


FIG. 2.

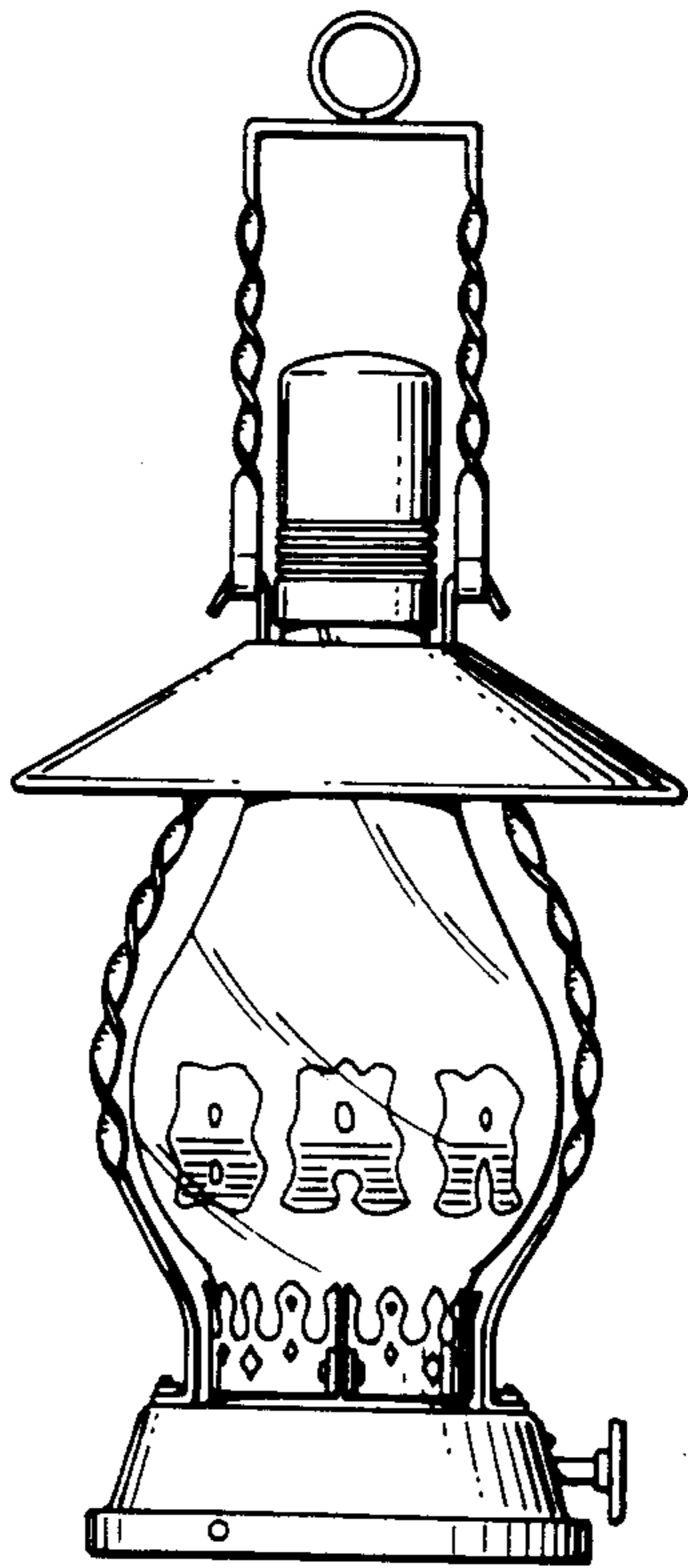


FIG. 3.

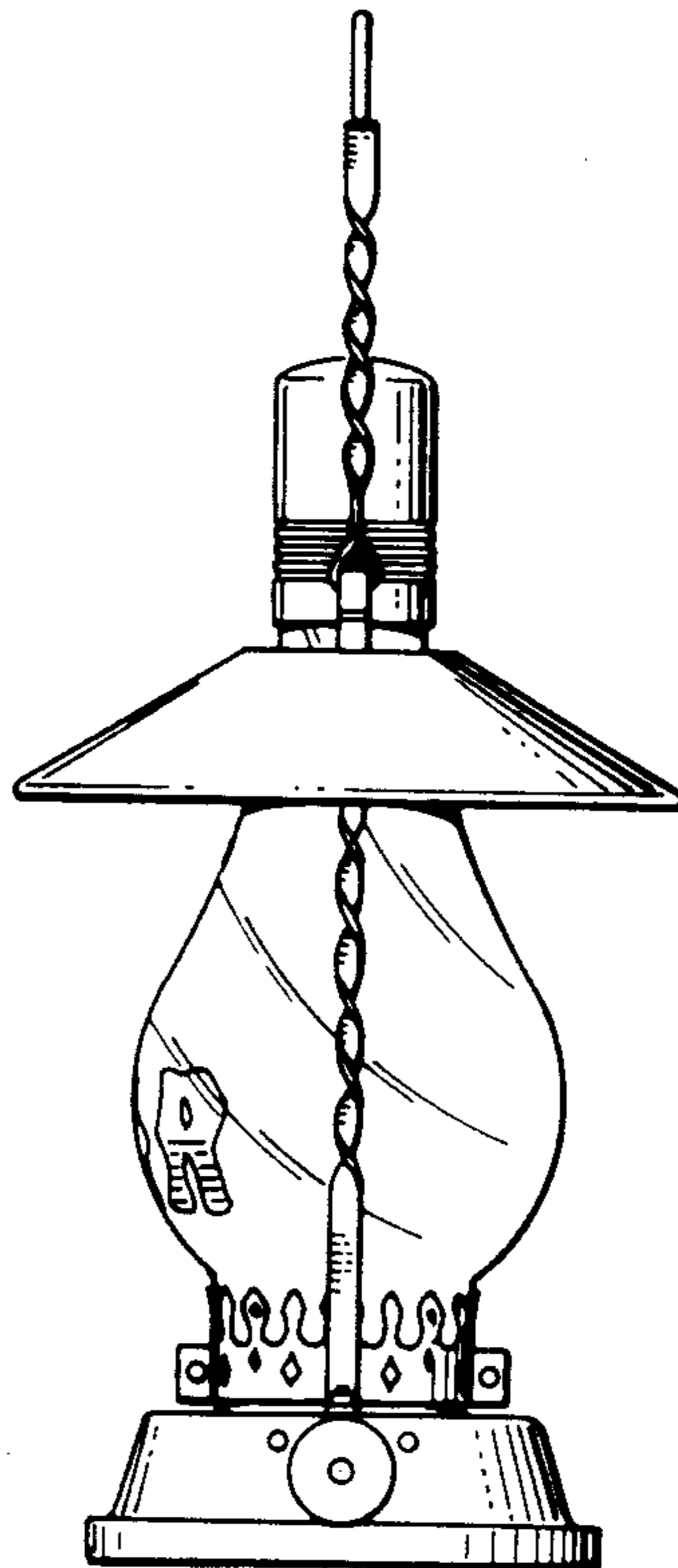


FIG. 4.