

[54] COFFEE TABLE

[75] Inventor: Lester Beall, Jr., High Point, N.C.

[73] Assignee: Crestline Furniture Co., Inc., New York, N.Y.

[**] Term: 14 Years

[21] Appl. No.: 845,247

[22] Filed: Oct. 25, 1977

[51] Int. Cl. D6-03

[52] U.S. Cl. D6/177

[58] Field of Search D6/146-149, D6/175, 177-179

[56] References Cited

U.S. PATENT DOCUMENTS

D. 237,025	10/1975	Null	D6/58 X
D. 240,690	7/1976	Zagaroli	D6/177
D. 244,644	6/1977	Null	D6/177 X
D. 246,017	10/1977	Nash	D6/68 X

D. 247,405 3/1978 Null et al. D6/177

OTHER PUBLICATIONS

Schweiger Industries Brochure, Charter House Section, Cocktail table.

"Charter House" by Schweiger, Single Sheet Photostat, table at center.

Crestline Catalog, vol. XX, 1976, p. 18, table in foreground.

Primary Examiner—Bruce W. Donkins

Attorney, Agent, or Firm—David Rabin

[57] CLAIM

The ornamental design for a coffee table, as shown.

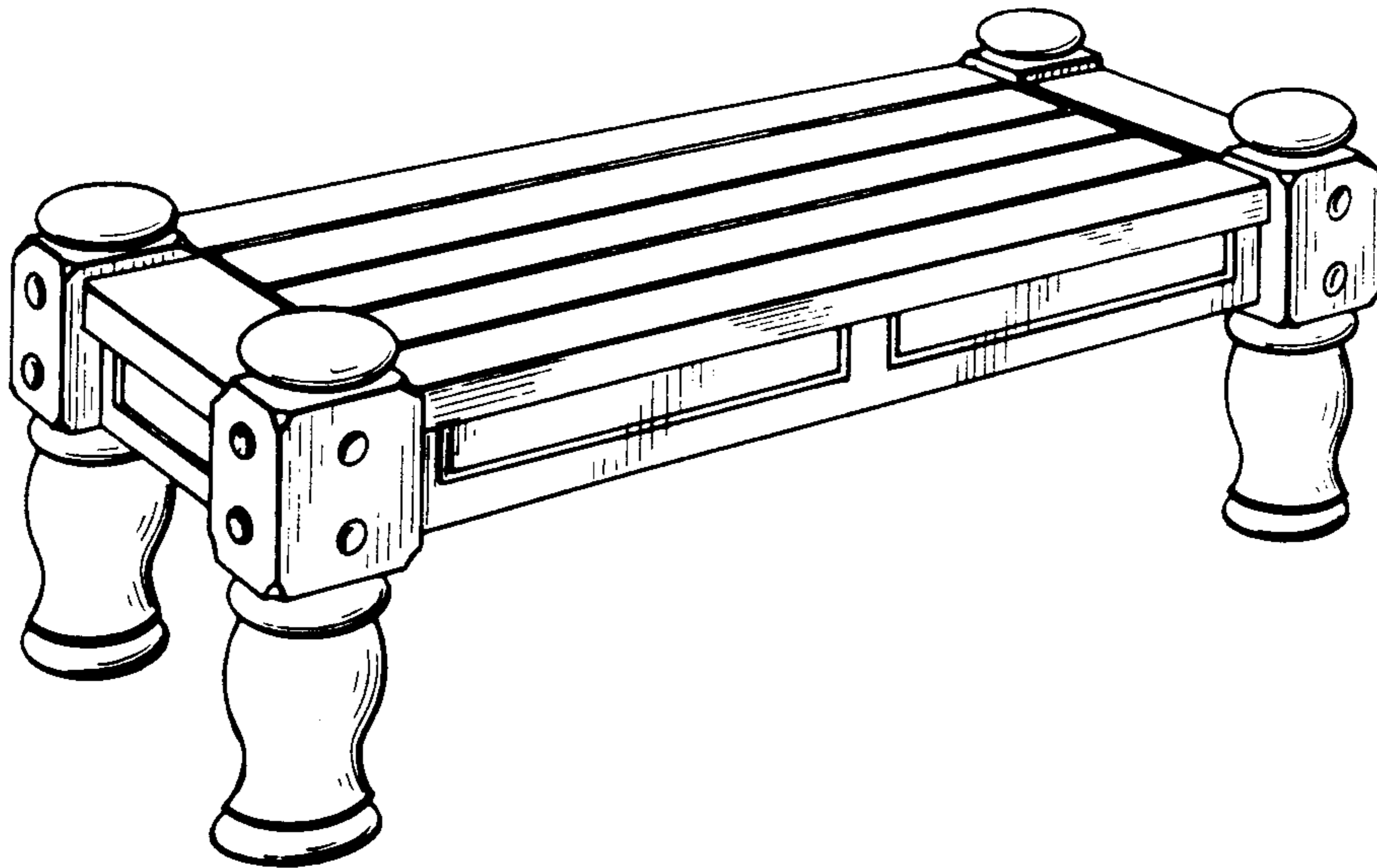
DESCRIPTION

FIG. 1 is a perspective view of a coffee table of rectangular configuration embodying my design;

FIG. 2 is a reduced top plan view of FIG. 1; and

FIG. 3 is a right end view of FIG. 2.

The side of the table not shown in FIG. 1 is a mirror image of the side shown therein.



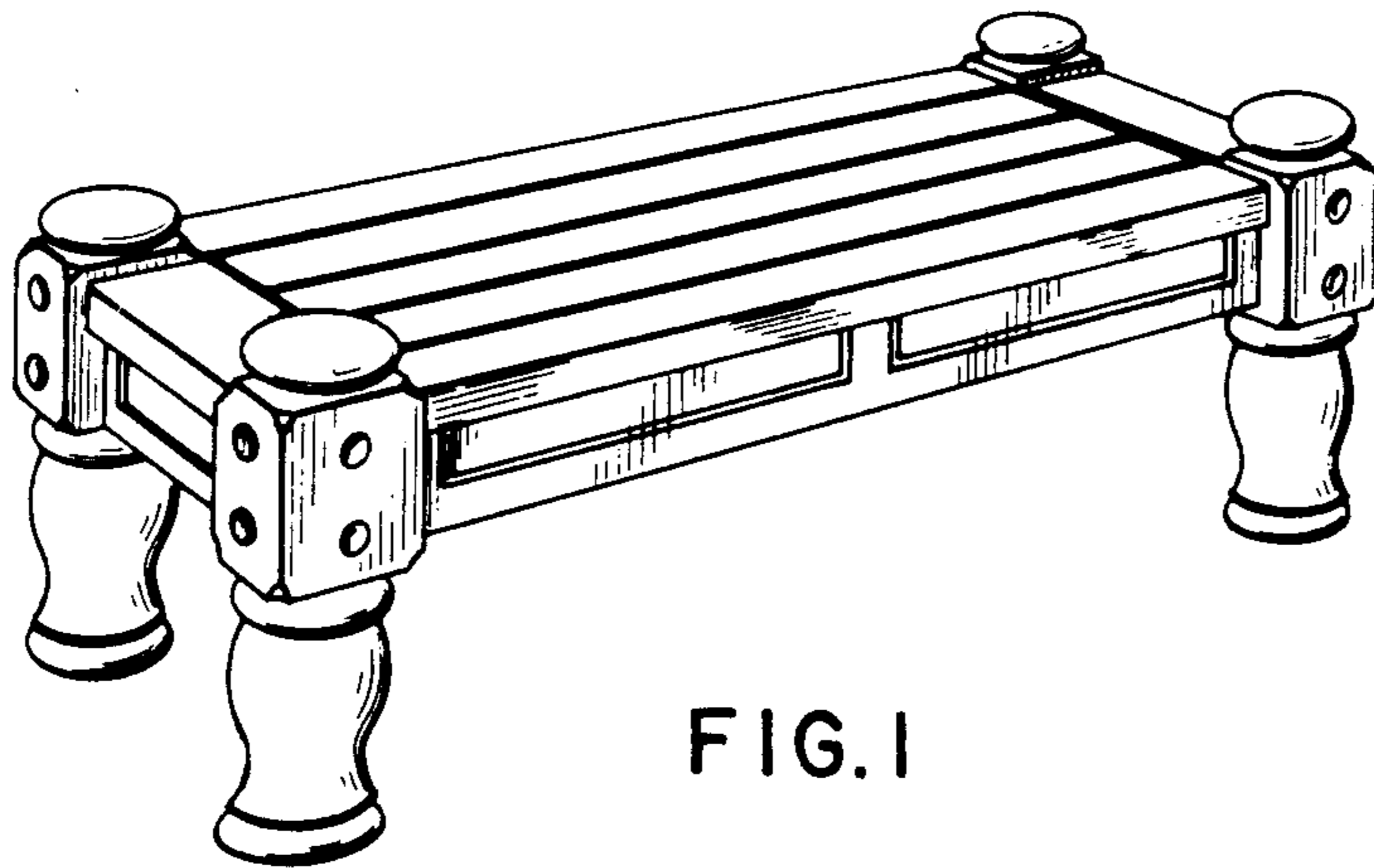


FIG. 1

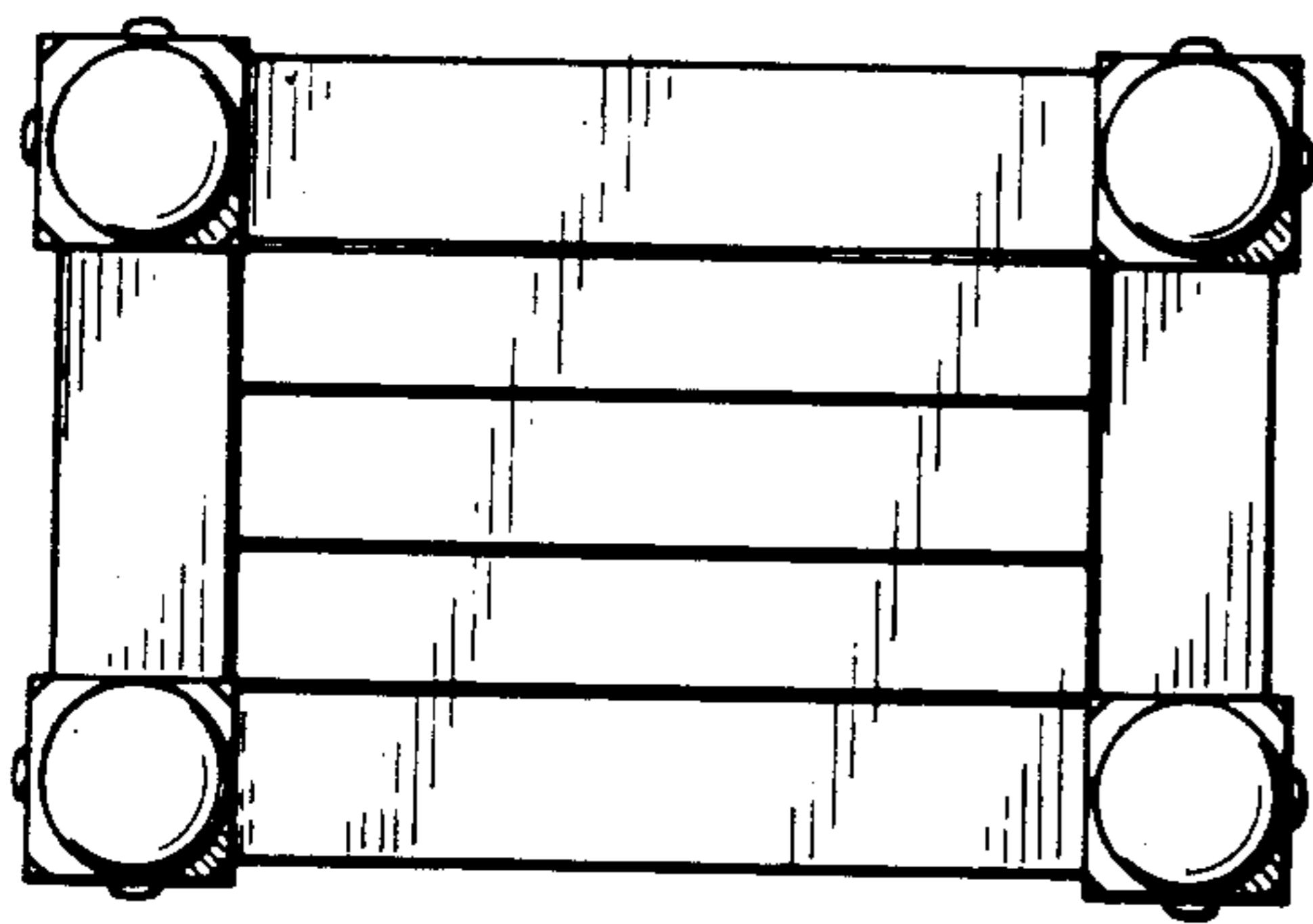


FIG. 2

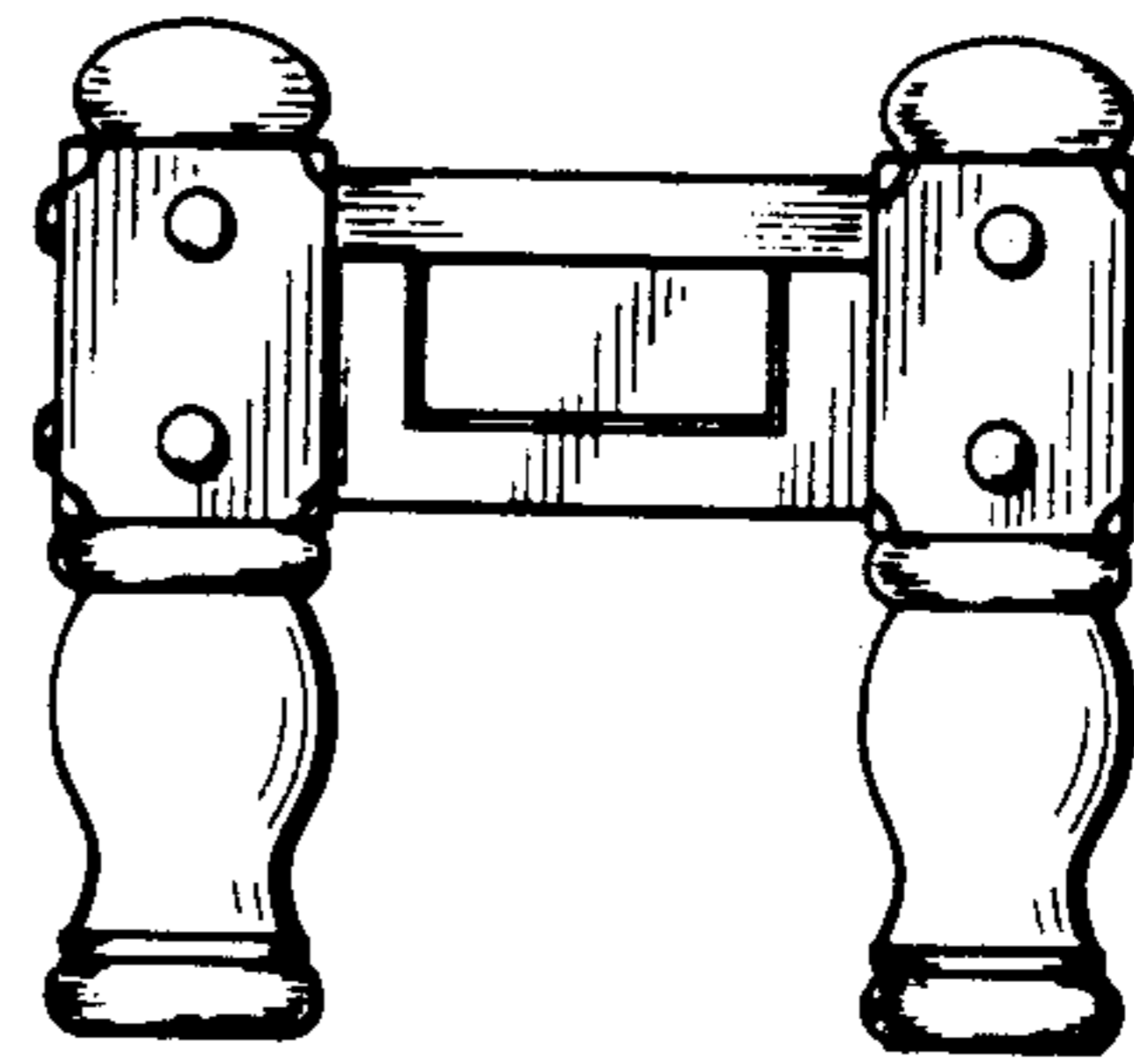


FIG. 3