

[54] ROCKING CHAIR

[76] Inventor: Peter Davis, 14 Whale Sq., Brooklyn, N.Y. 11232

[**] Term: 14 Years

[21] Appl. No.: 916,573

[22] Filed: Jun. 19, 1978

[51] Int. Cl. D6-01

[52] U.S. Cl. D6/49

[58] Field of Search D6/5, 7, 3, 47-78, D6/10

[56]

References Cited

U.S. PATENT DOCUMENTS

| | | | |
|------------|---------|--------------------|-------|
| D. 66,204 | 12/1924 | McGlothern | D6/49 |
| D. 182,182 | 2/1958 | Herschell | D6/49 |
| D. 205,840 | 9/1966 | Jones et al. | D6/3 |
| D. 225,928 | 1/1973 | Lockwood | D6/49 |
| D. 246,621 | 12/1977 | Voorhees, Jr. | D6/49 |
| D.251,641 | 4/1979 | Chacon | D6/63 |

Primary Examiner—Bruce W. Dunkins

Attorney, Agent, or Firm—Charles E. Temko

[57]

CLAIM

The ornamental design for a rocking chair, substantially as shown.

DESCRIPTION

FIG. 1 is a front perspective view of a rocking chair showing my new design;

FIG. 2 is a rear perspective view thereof.

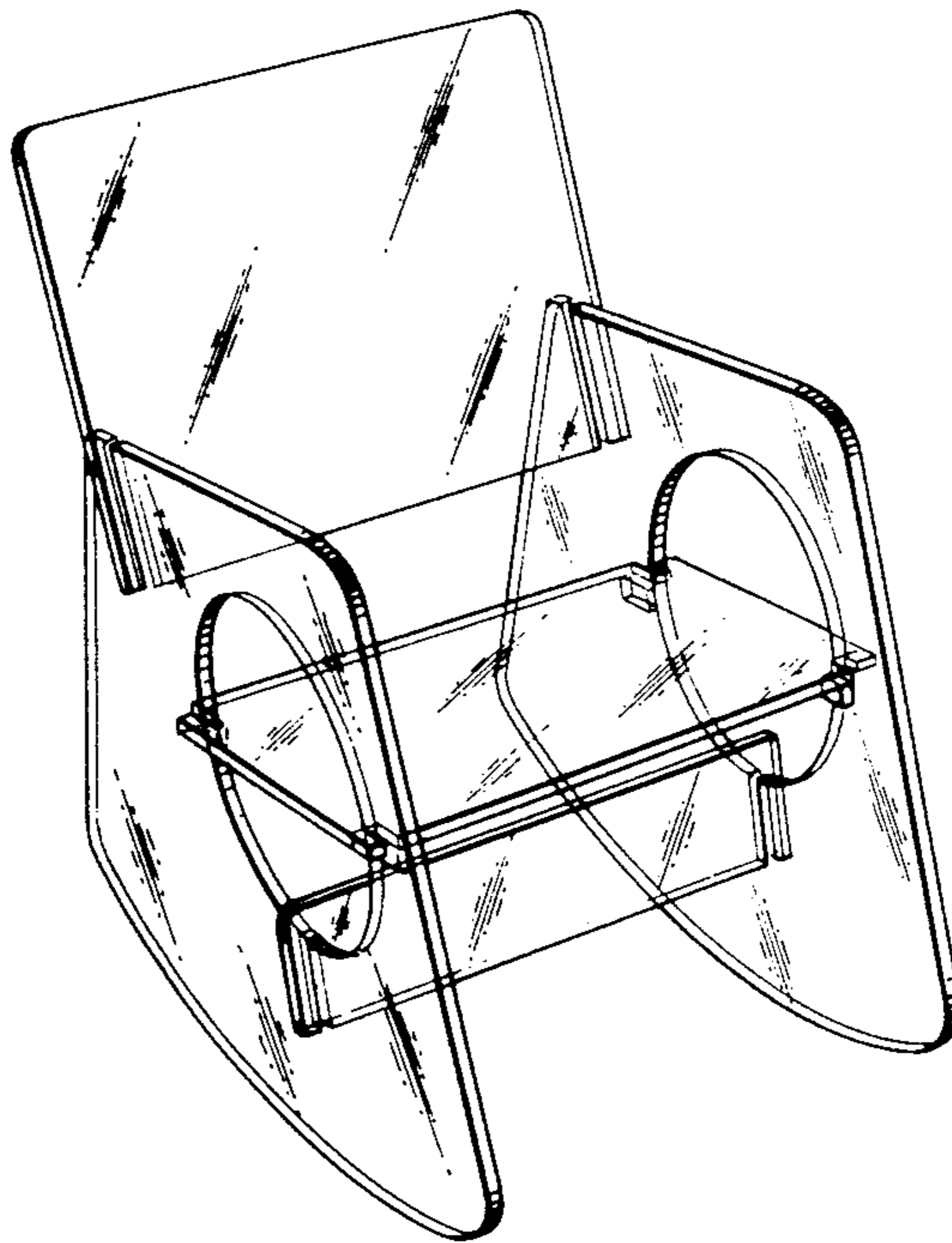


FIG. 2

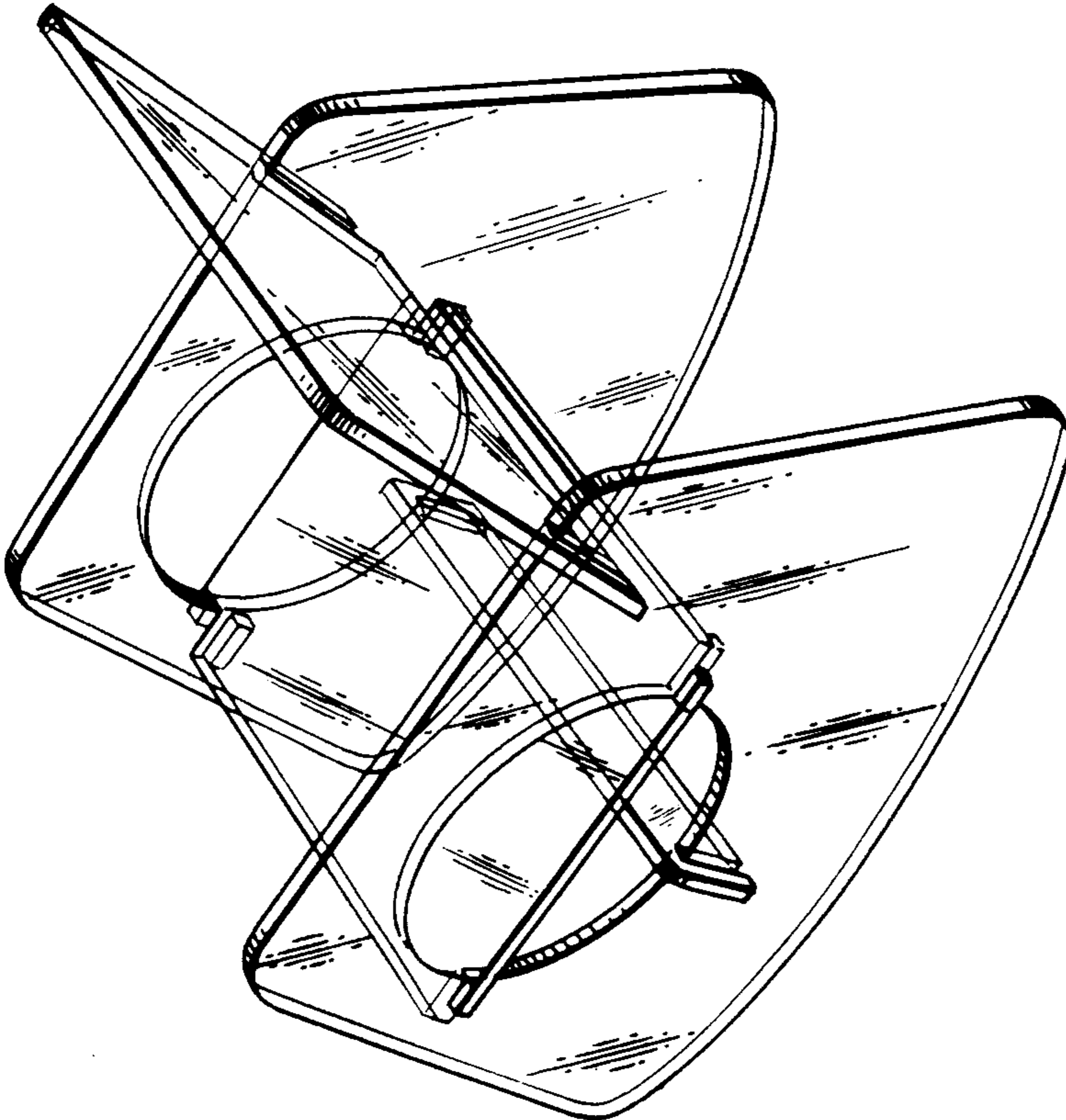


FIG. 1

