

[54] ARC LAMP

[75] Inventor: John A. Tedesco, San Francisco, Calif.

[73] Assignee: The Phoebus Company, Inc.

[**] Term: 14 Years

[21] Appl. No.: 927,024

[22] Filed: Jul. 24, 1978

[51] Int. Cl. D26-05

[52] U.S. Cl. D26/104

[58] Field of Search D26/61-66, D26/93, 104; 362/3, 217, 220, 227, 235, 269, 285, 290, 329, 341, 362, 368, 370, 375, 404, 410

[56] References Cited

U.S. PATENT DOCUMENTS

D. 158,200 4/1950 Kliegl D48/20 K

Primary Examiner—Catherine E. Kemper
Attorney, Agent, or Firm—James F. Mitchell

[57] CLAIM

The ornamental design for an arc lamp, as shown.

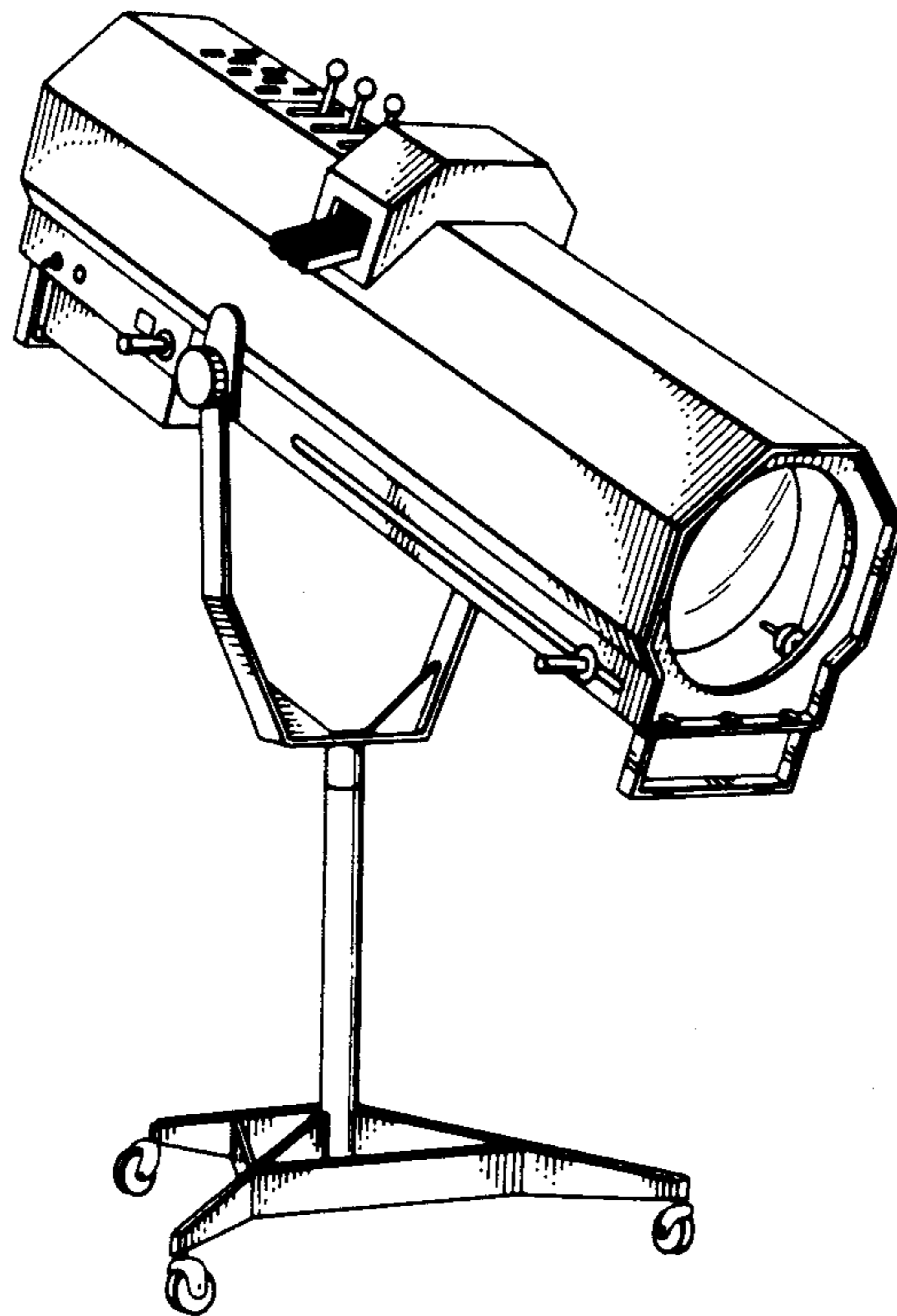
DESCRIPTION

FIG. 1 is a side perspective view of an arc lamp showing my new design;

FIG. 2 is a front elevational view thereof;

FIG. 3 is a left side elevational view thereof;

FIG. 4 is a right side elevational view thereof.



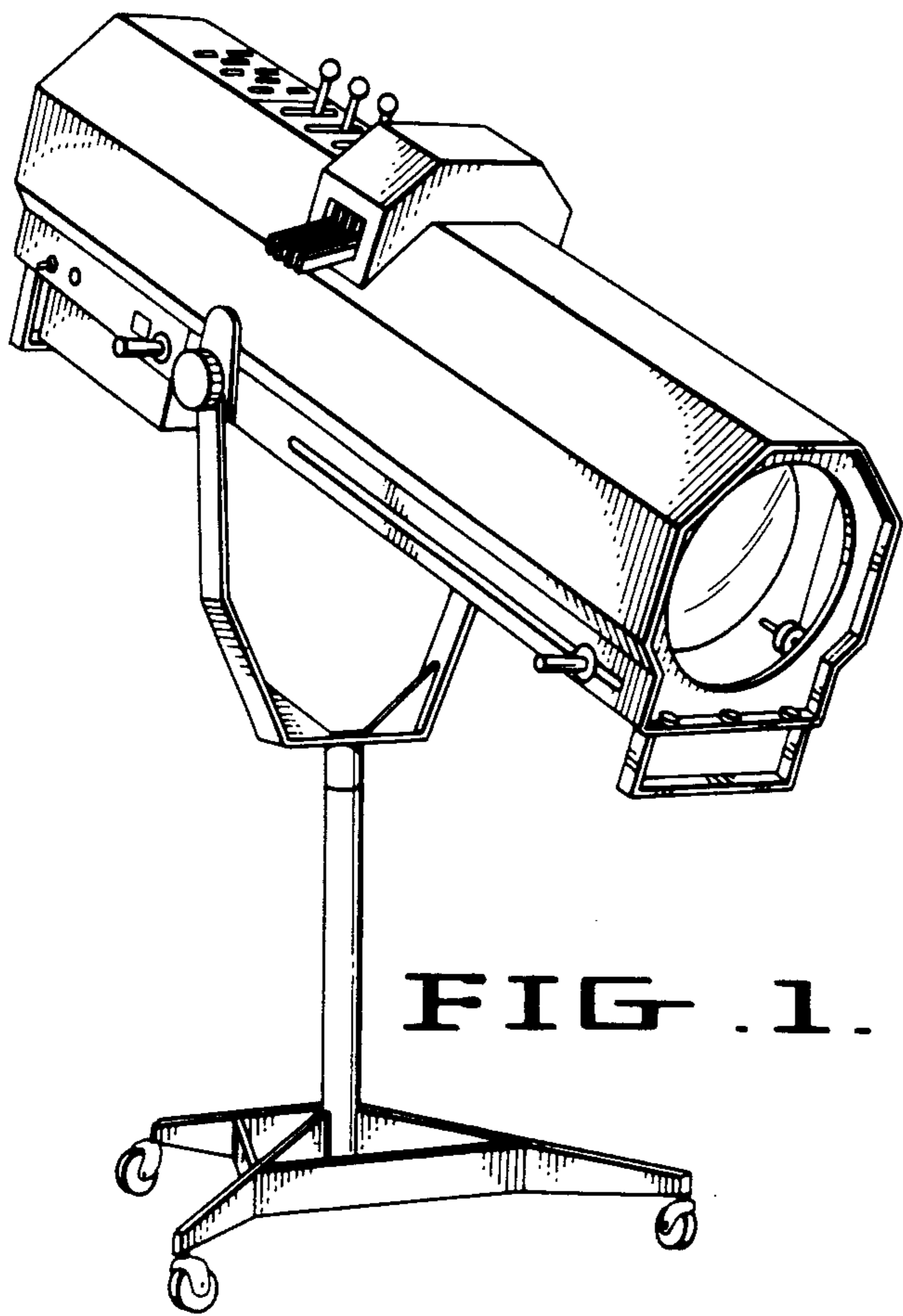


FIG. 1.

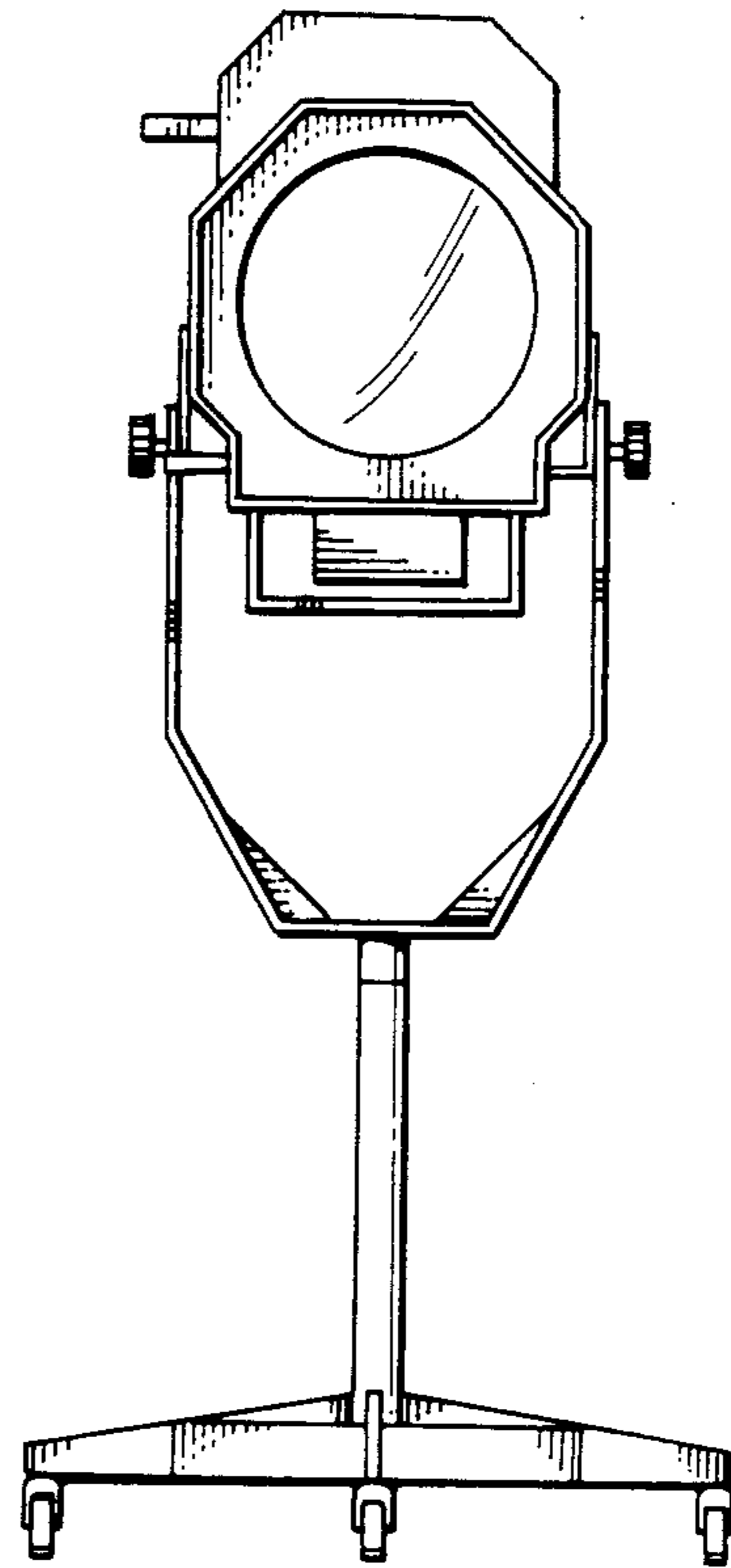


FIG. 2.

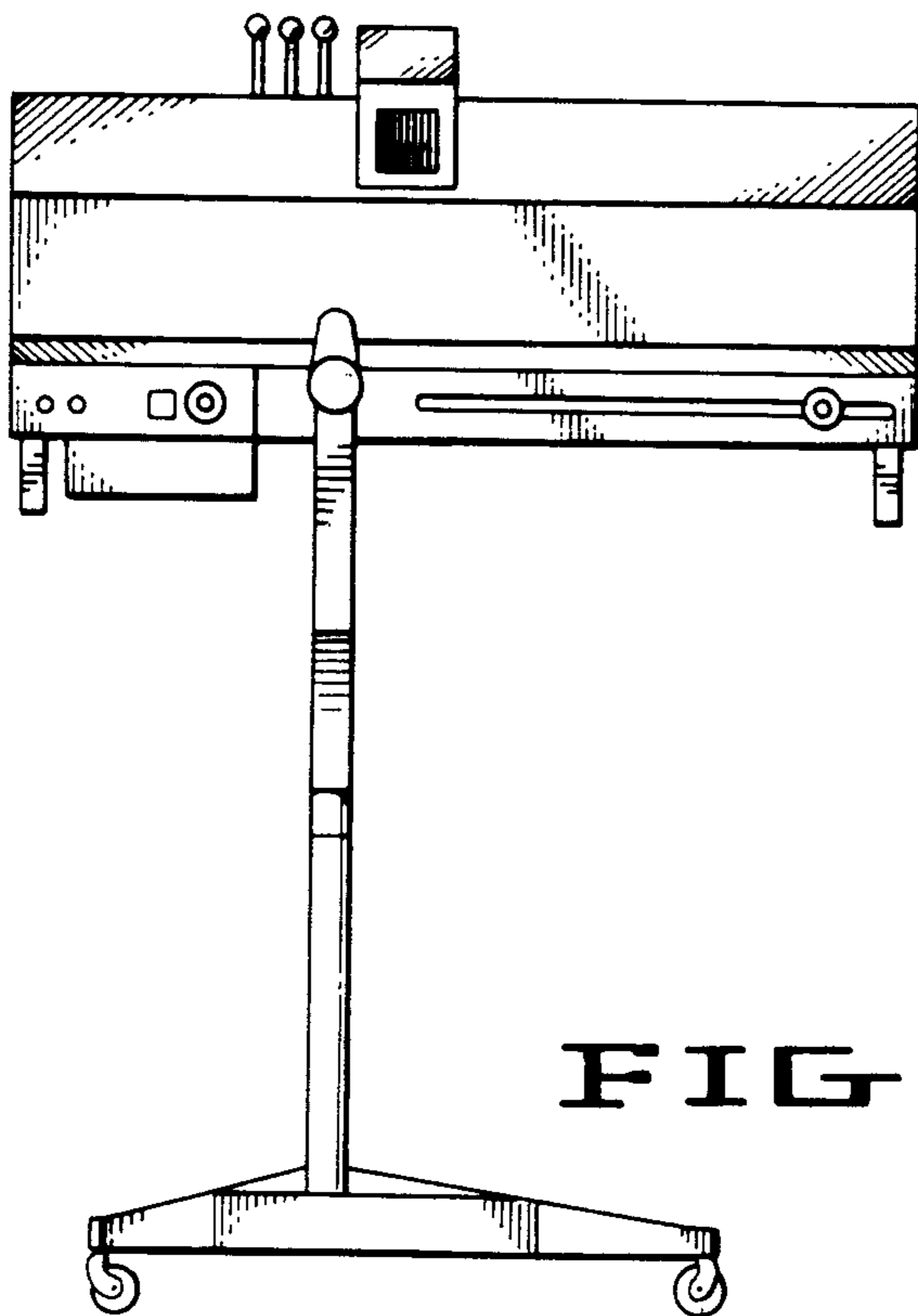


FIG. 3.

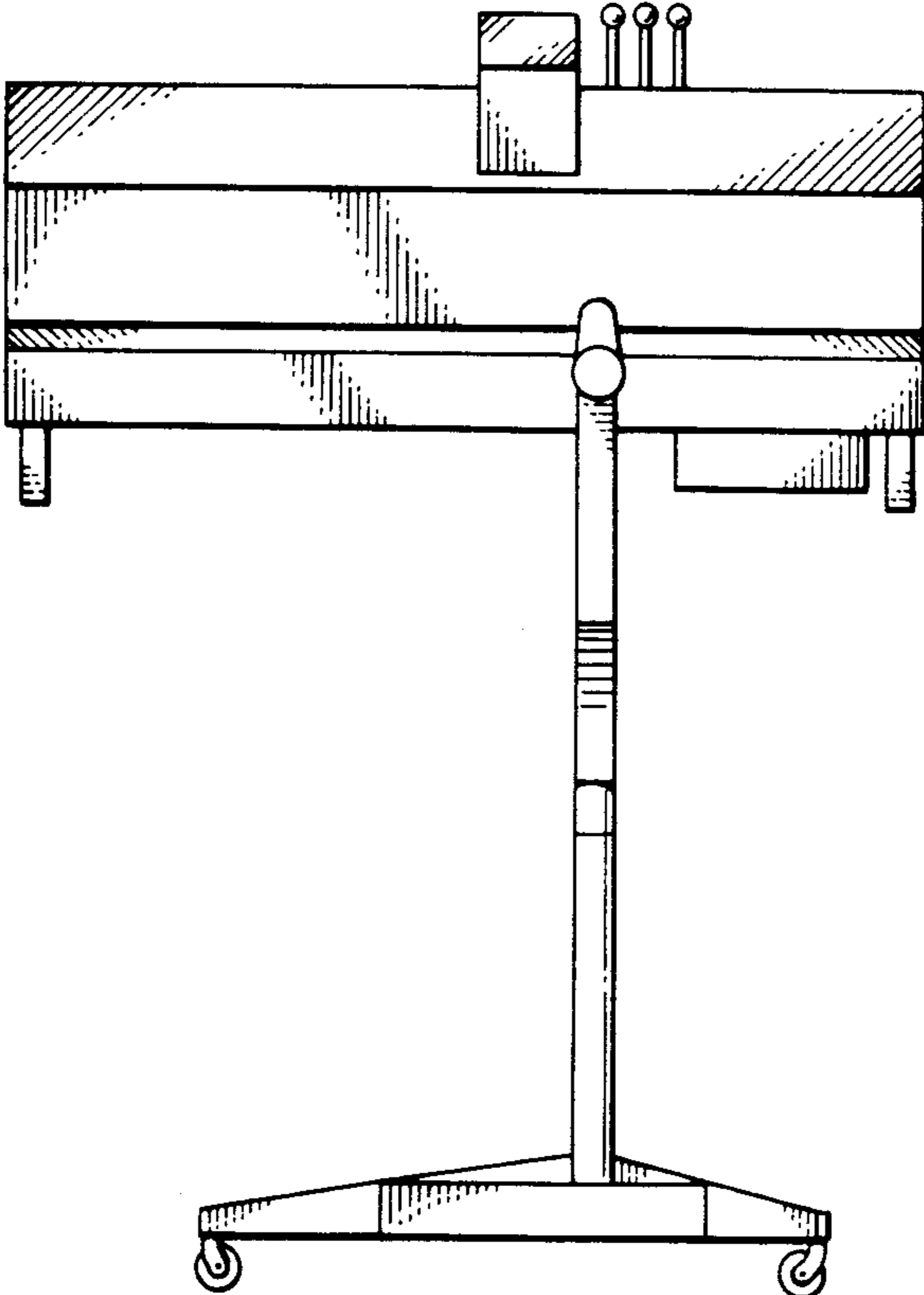


FIG .4.