

[54] LOWER BACK SUPPORT

[75] Inventor: Marguerite R. Williams, Trumbull, Conn.

[73] Assignee: Surgical Appliance Industries, Inc., Cincinnati, Ohio

[\*\*] Term: 14 Years

[21] Appl. No.: 810,048

[22] Filed: Jun. 27, 1977

[51] Int. Cl. .... D24-03; D2-01

[52] U.S. Cl. .... D24/64; D2/2

[58] Field of Search .... D2/1-4, D2/6, 10; D24/64; 128/562

[56] References Cited

U.S. PATENT DOCUMENTS

- D. 27,193 6/1897 Robert ..... D24/64
- D. 122,883 10/1940 Schopbach et al. .... D2/2

- D. 218,586 9/1970 Williams ..... D2/2
- 1,019,365 3/1912 Saemann ..... 128/562 X
- 1,932,270 10/1933 Hoier ..... 128/562 X
- 2,556,891 6/1951 Versoy et al. .... 128/562 X

OTHER PUBLICATIONS

*Corset & Underwear Review*, 9-65, p. 11, "Gay Paree" Brief.

Primary Examiner—Joel Stearman

Assistant Examiner—Jane E. Corrigan

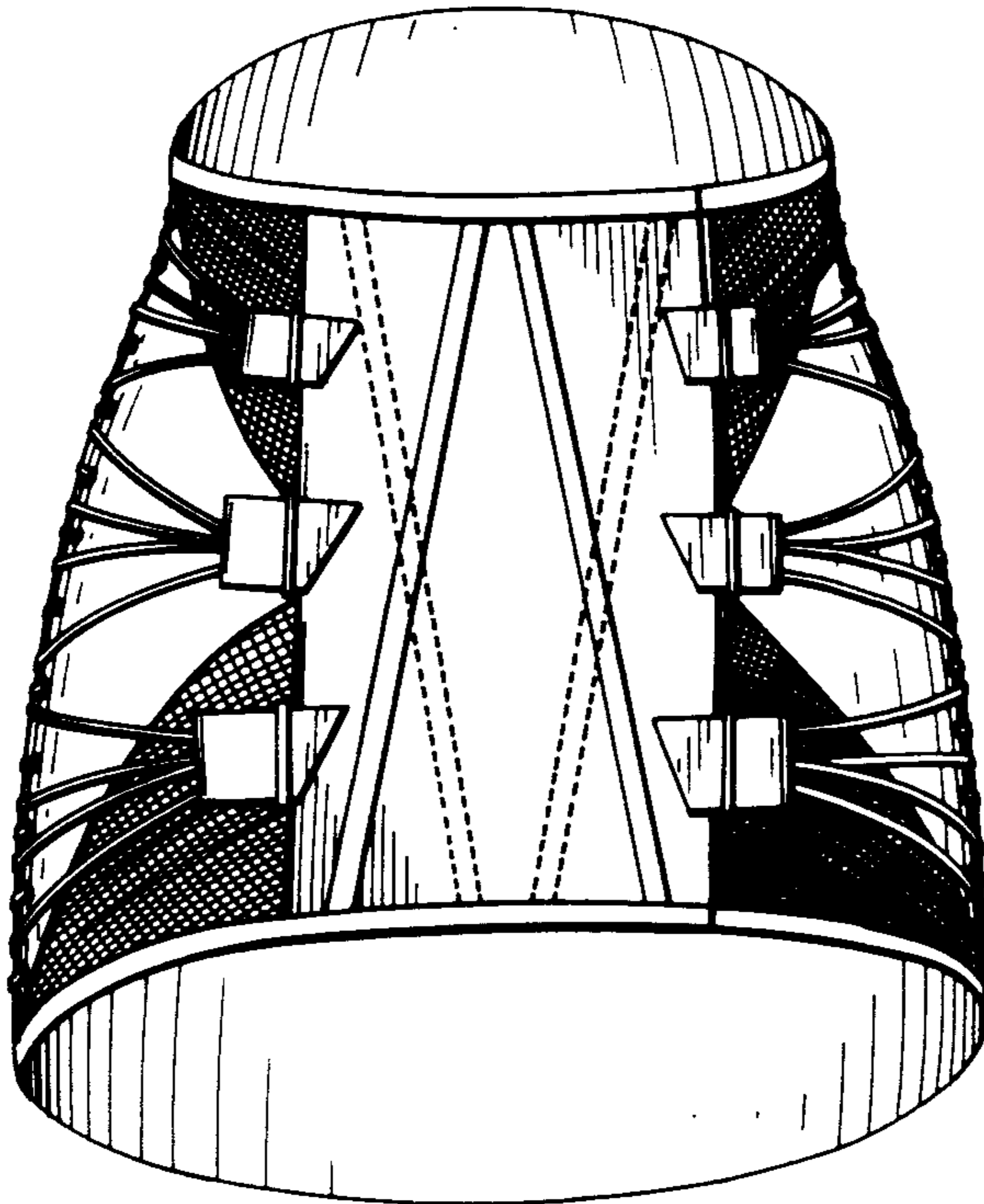
Attorney, Agent, or Firm—Herbert C. Brinkman

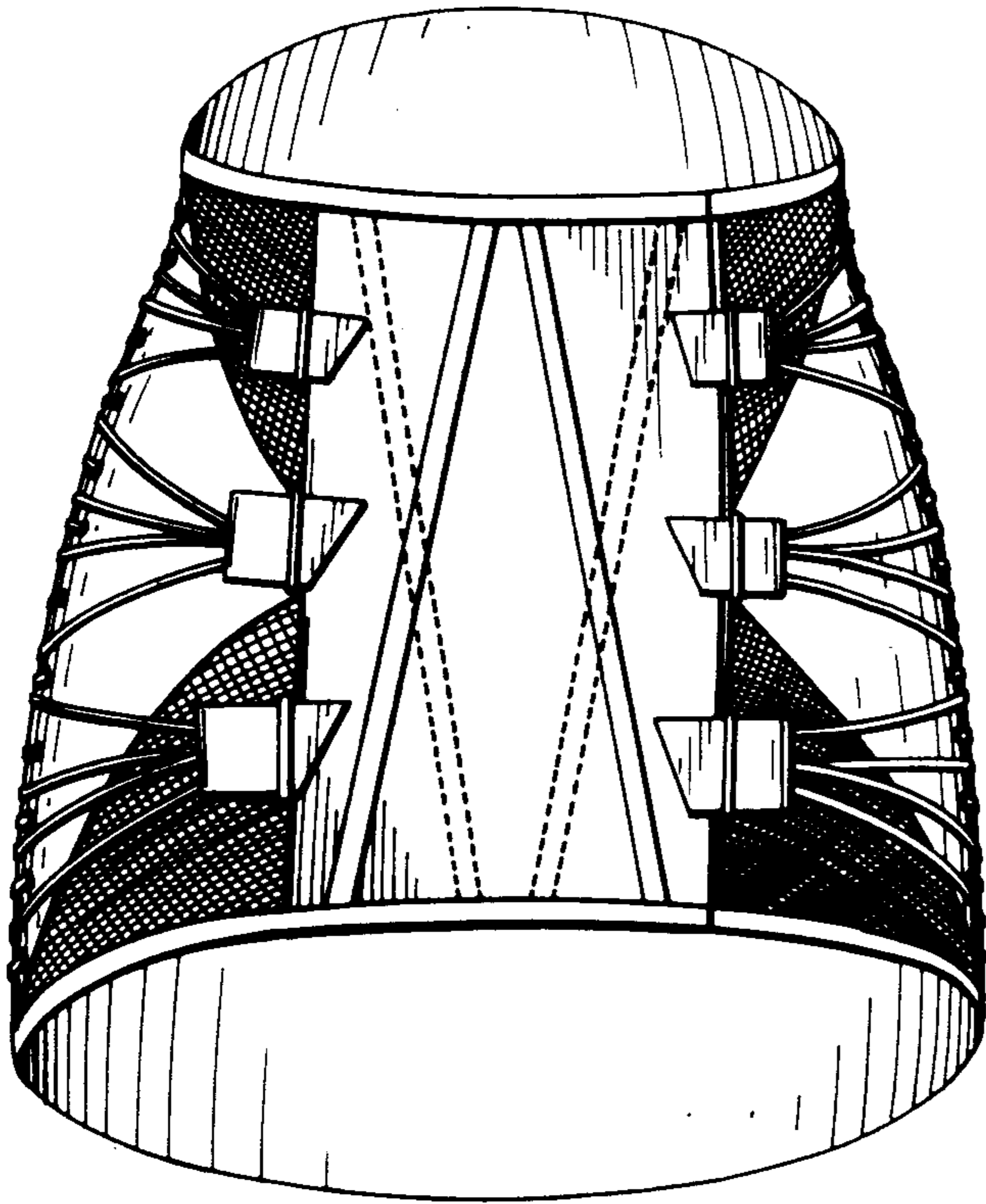
[57] CLAIM

The ornamental design for lower back support, substantially as shown and described.

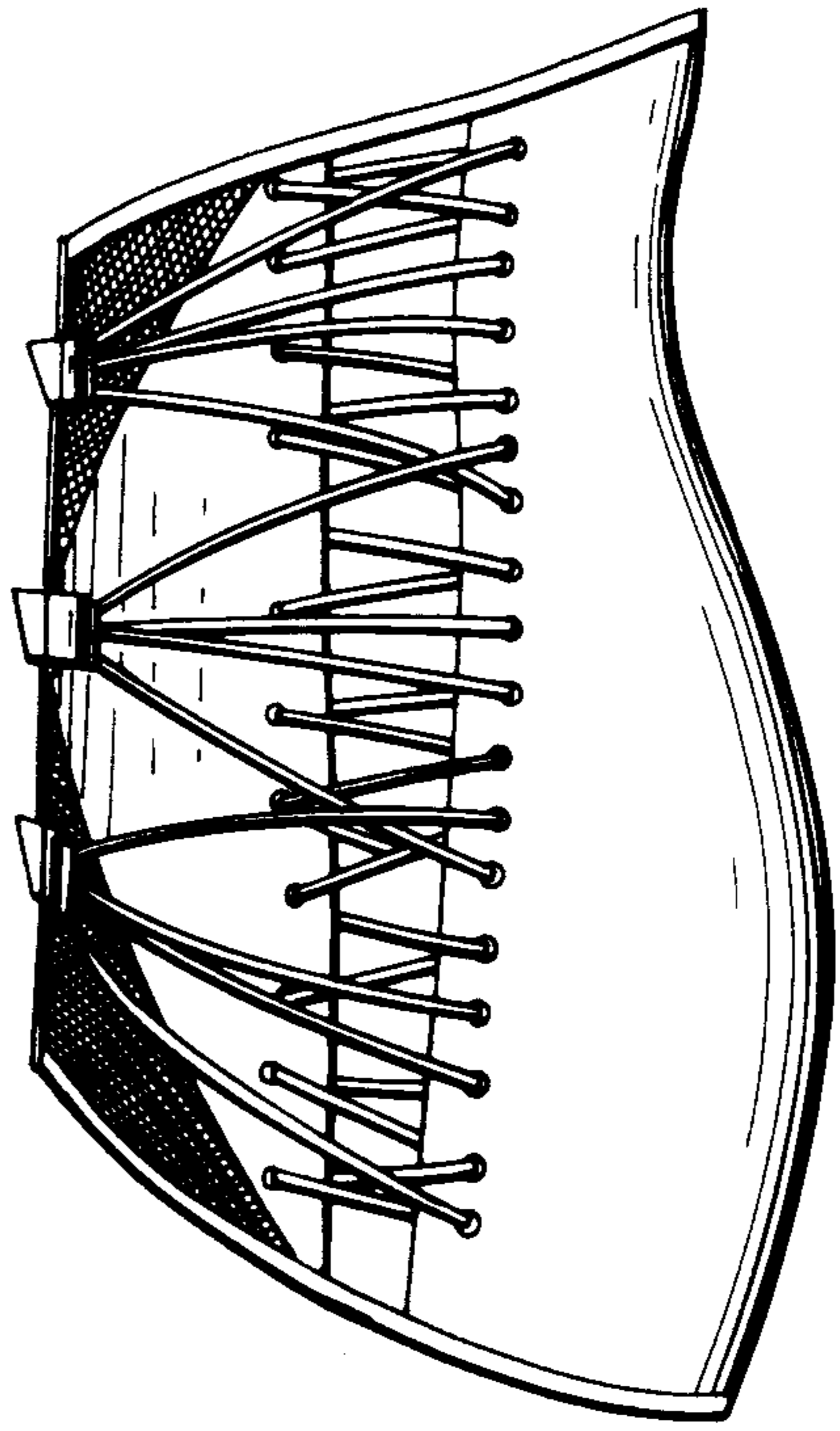
DESCRIPTION

FIG. 1 is a front elevational view of a lower back support showing my new design;  
 FIG. 2 is a left side elevational view, the right side being a mirror image thereof; and  
 FIG. 3 is a rear elevational view.

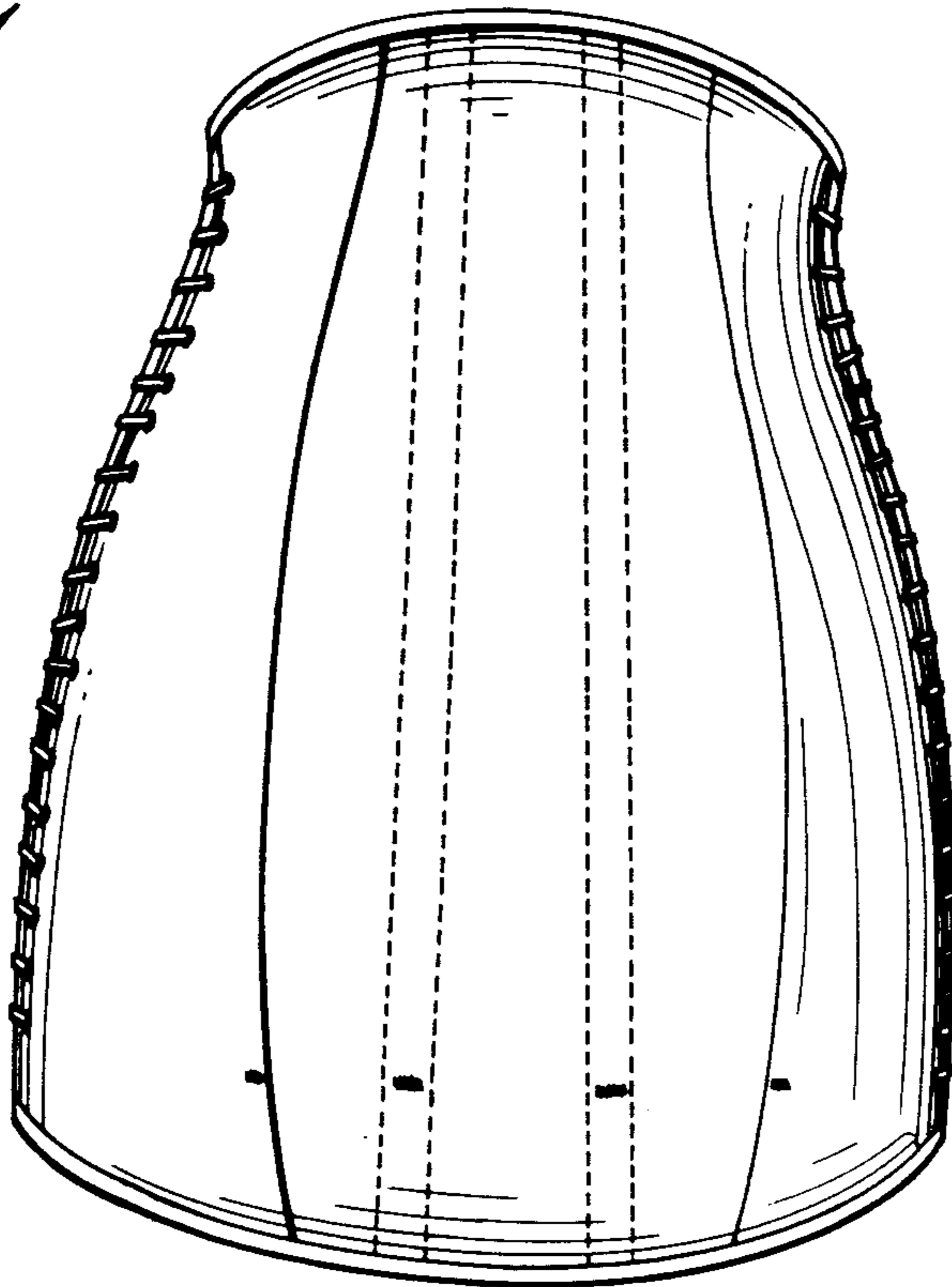




*Fig. 1*



*Fig. 2*



*Fig. 3*