

[54] **HOLDER FOR WATER SOLUBLE MATERIAL**

[75] Inventor: **Rainer Manthei**, Weichering, Fed. Rep. of Germany

[73] Assignee: **Globol-Werk GmbH**, Neuburg, Fed. Rep. of Germany

[\*\*] Term: **14 Years**

[21] Appl. No.: **952,835**

[22] Filed: **Oct. 19, 1978**

[30] **Foreign Application Priority Data**

May 22, 1978 [DE] Fed. Rep. of Germany ..... 350

[51] Int. Cl. .... **D23-01**

[52] U.S. Cl. .... **D23/3**

[58] Field of Search ..... **D23/3, 150; 4/222, 231**

[56] **References Cited**

**U.S. PATENT DOCUMENTS**

D. 192,314 3/1962 Brownstein ..... D23/3

D. 211,575 7/1968 Weinstein et al. .... D23/3

D. 243,850	3/1977	Davenport .....	D23/3
D. 253,123	10/1979	Jones .....	D23/3
4,143,431	3/1979	Gonealups .....	4/231
4,168,551	9/1979	Hautmann .....	4/231

**FOREIGN PATENT DOCUMENTS**

750567	2/1933	France .....	D23/3
2258320	1/1974	France .....	D23/3

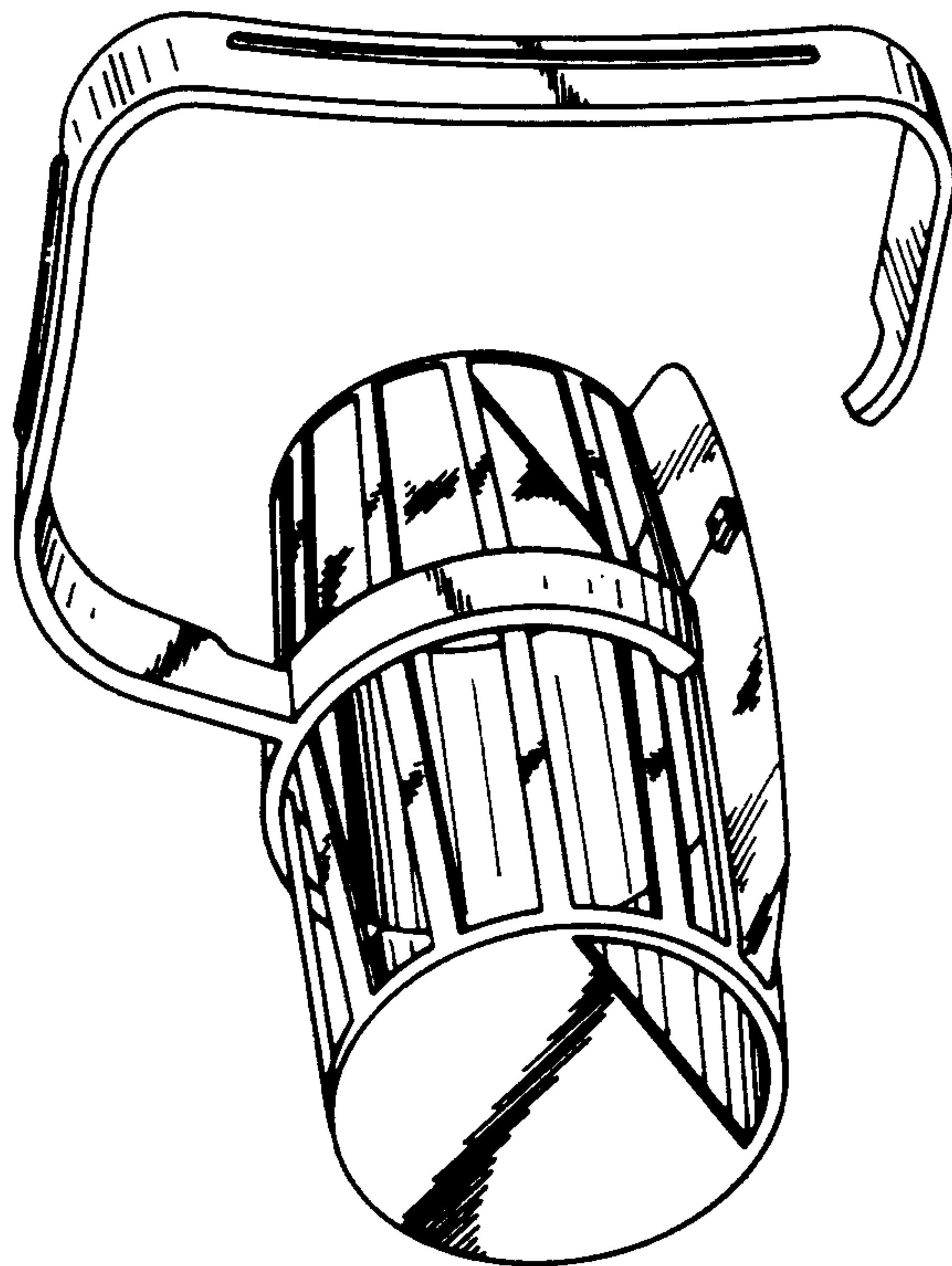
*Primary Examiner*—James R. Largen  
*Attorney, Agent, or Firm*—Sidney Neuman

[57] **CLAIM**

The ornamental design for a holder for water soluble material, as shown.

**DESCRIPTION**

FIG. 1 is a perspective view of a holder for water soluble material showing my new design; FIG. 2 is a left side elevational view thereof; FIG. 3 is a front elevational view thereof; FIG. 4 is a rear elevational view thereof; FIG. 5 is a right side elevational view thereof; FIG. 6 is a top plan view thereof; and FIG. 7 is a bottom plan view thereof.



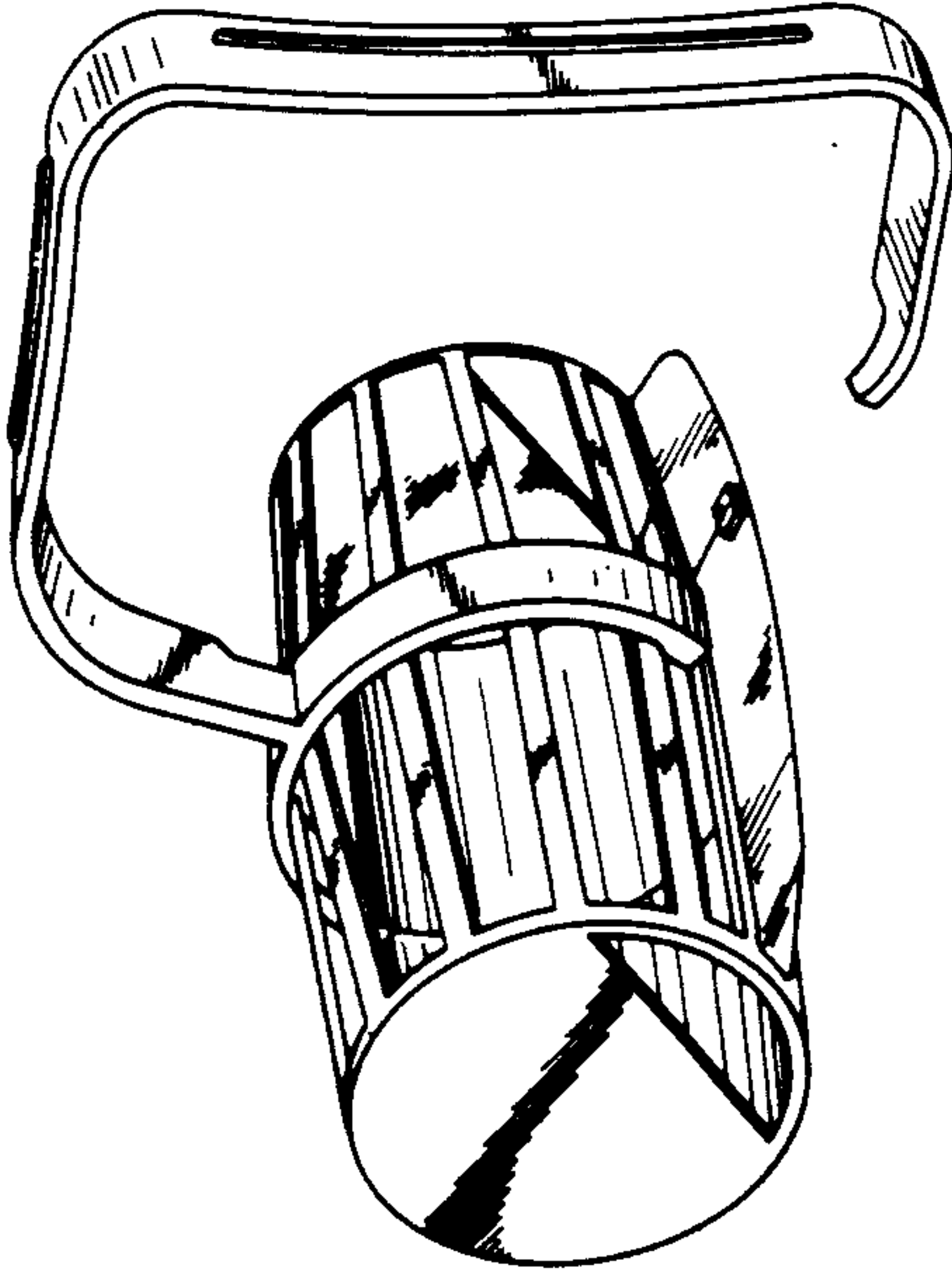


Fig. 1

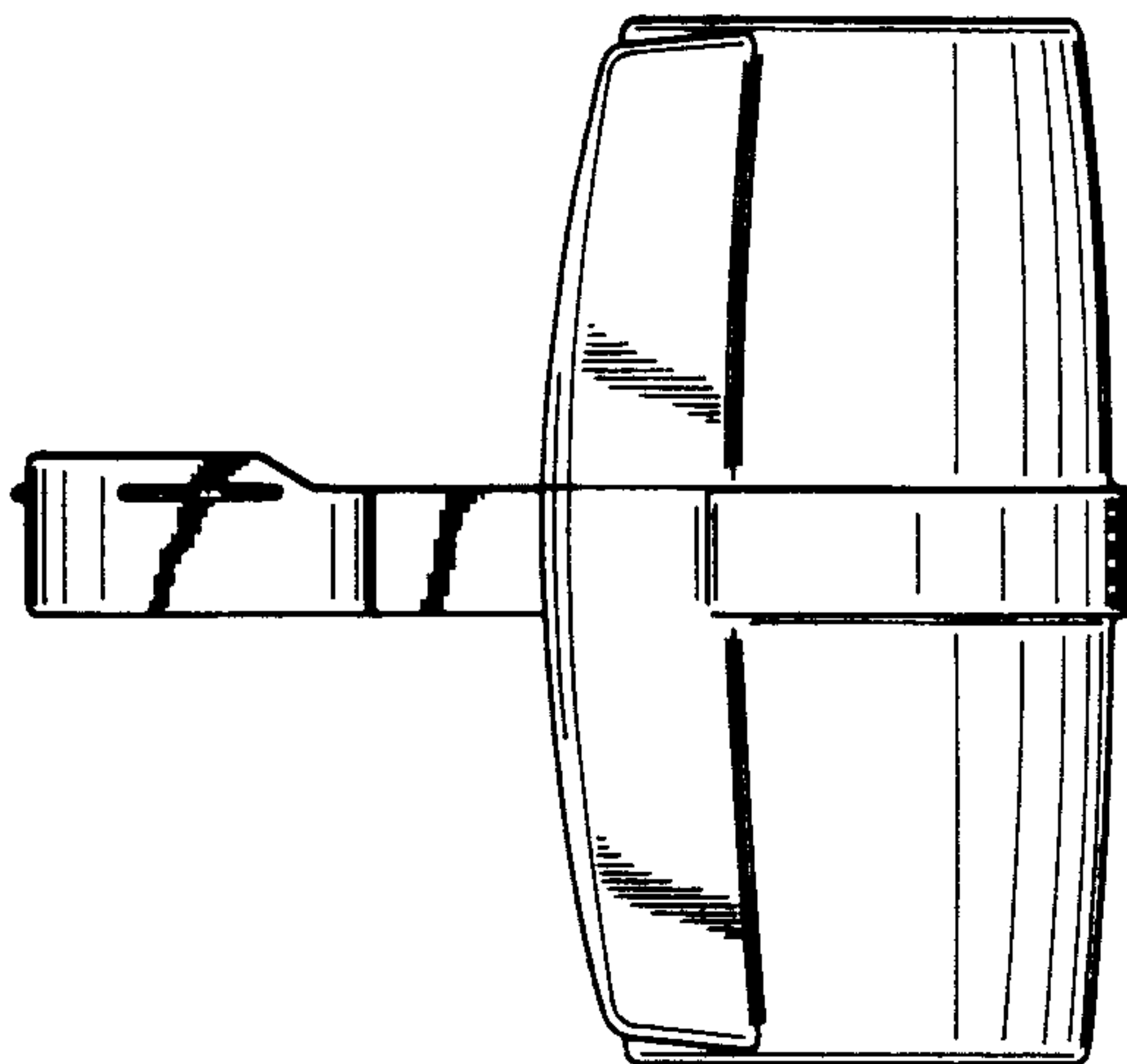


Fig. 4

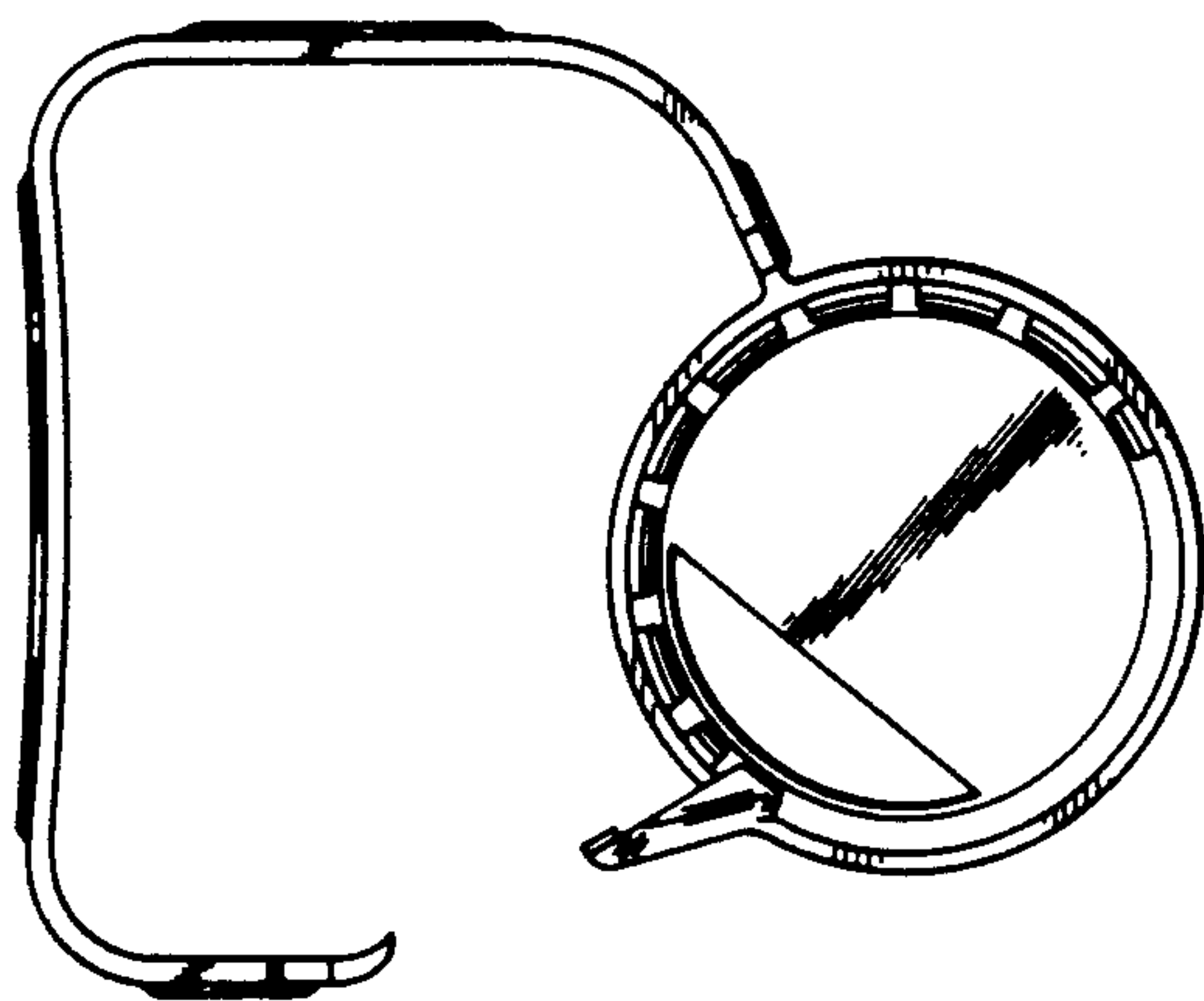


Fig. 2

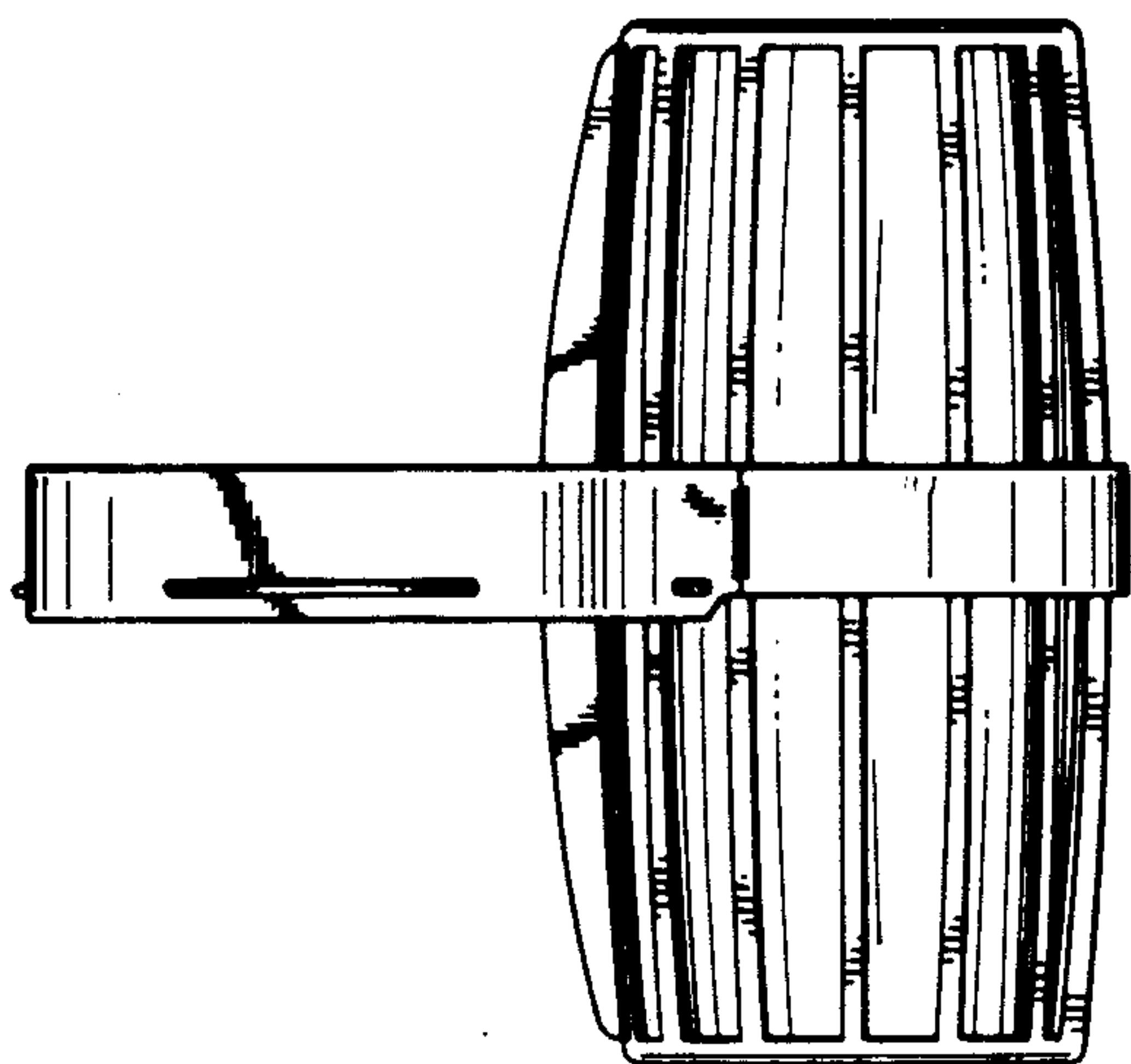


Fig. 3

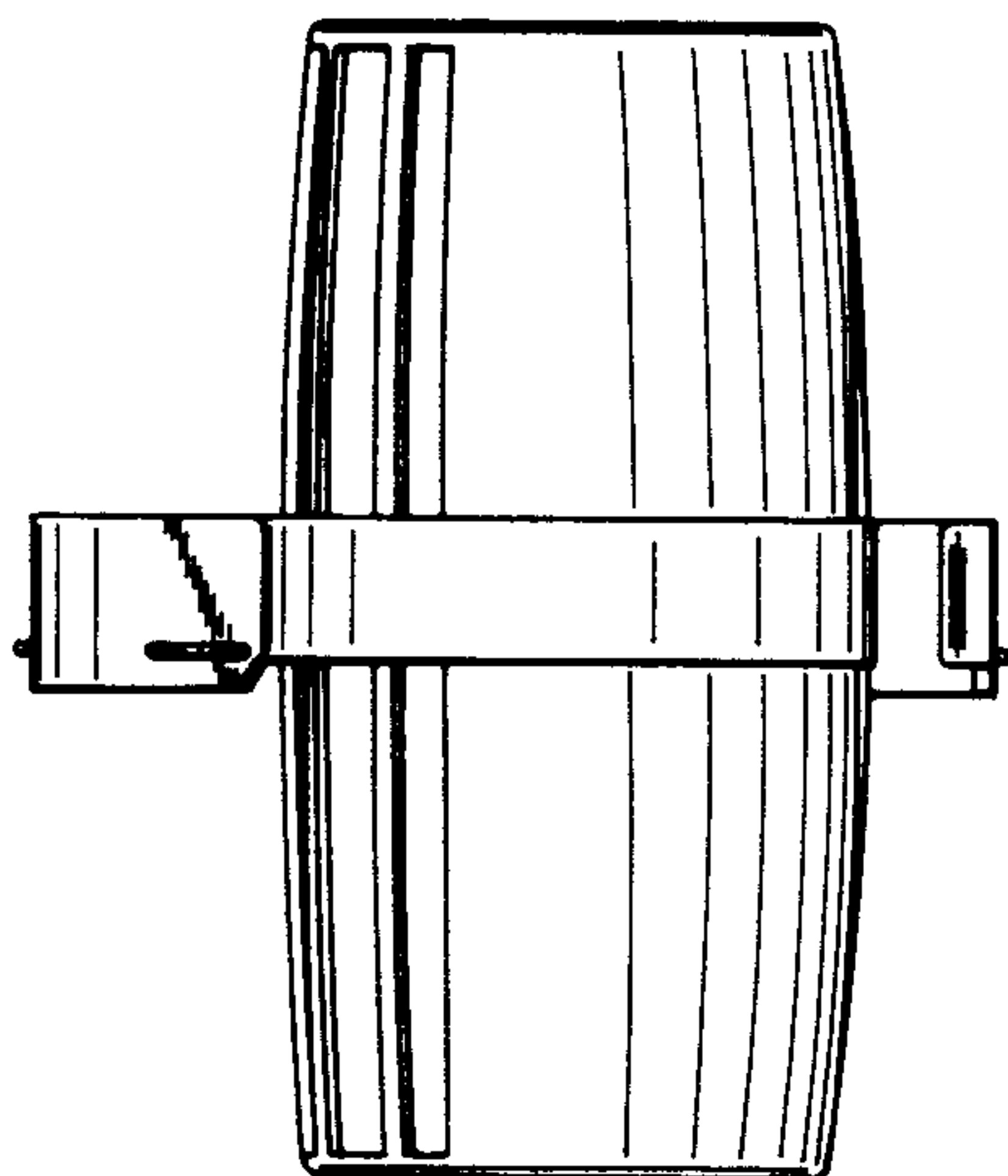


Fig. 7

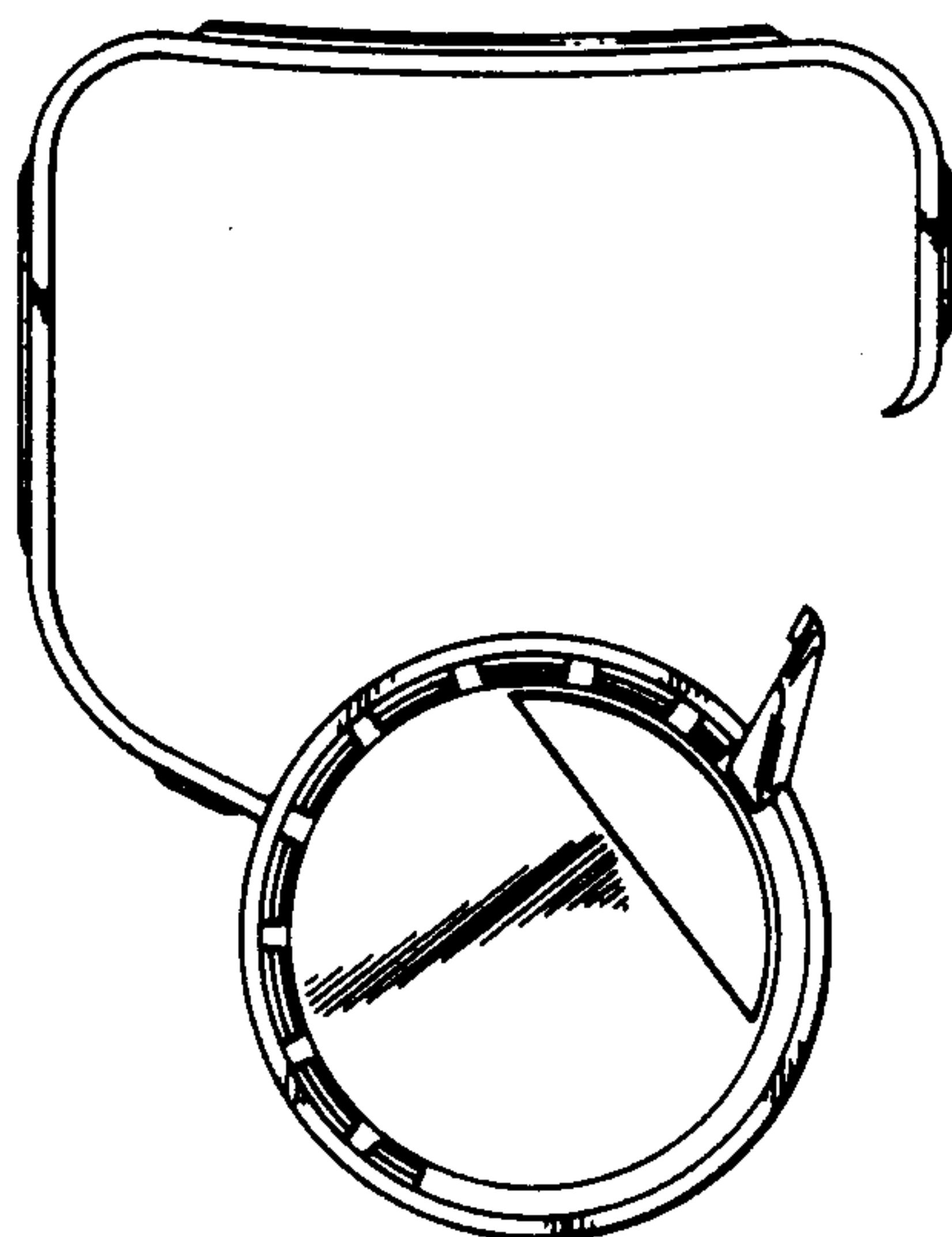


Fig. 5

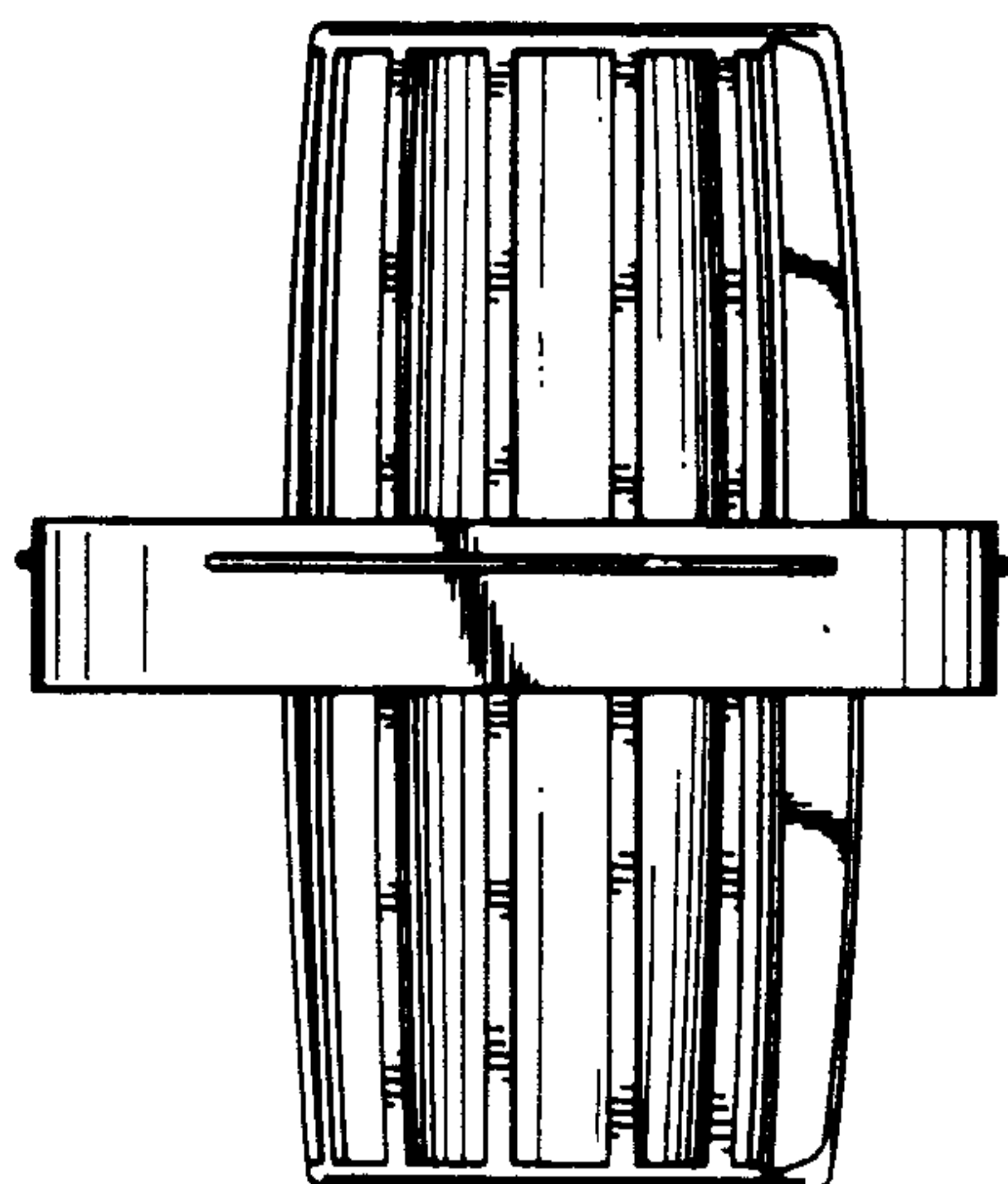


Fig. 6