

[54] TOY CEMENT MIXER TRUCK BODY

[75] Inventor: Jack L. Breneman, Orchard Park, N.Y.

[73] Assignee: The Quaker Oats Company, Chicago, Ill.

[**] Term: 14 Years

[21] Appl. No.: 876,849

[22] Filed: Feb. 10, 1978

[51] Int. Cl. D21-01

[52] U.S. Cl. D21/138

[58] Field of Search D21/138, 128, 132, 134; 46/201, 202, 214, 219, 222, 223

[56]

References Cited

U.S. PATENT DOCUMENTS

D. 222,868	1/1972	Gilford et al.	D21/138
D. 239,553	4/1976	Breneman et al.	D21/134
D. 245,530	8/1977	Ferguson	D21/138

Primary Examiner—Charles A. Rademaker
Attorney, Agent, or Firm—George W. Shaw

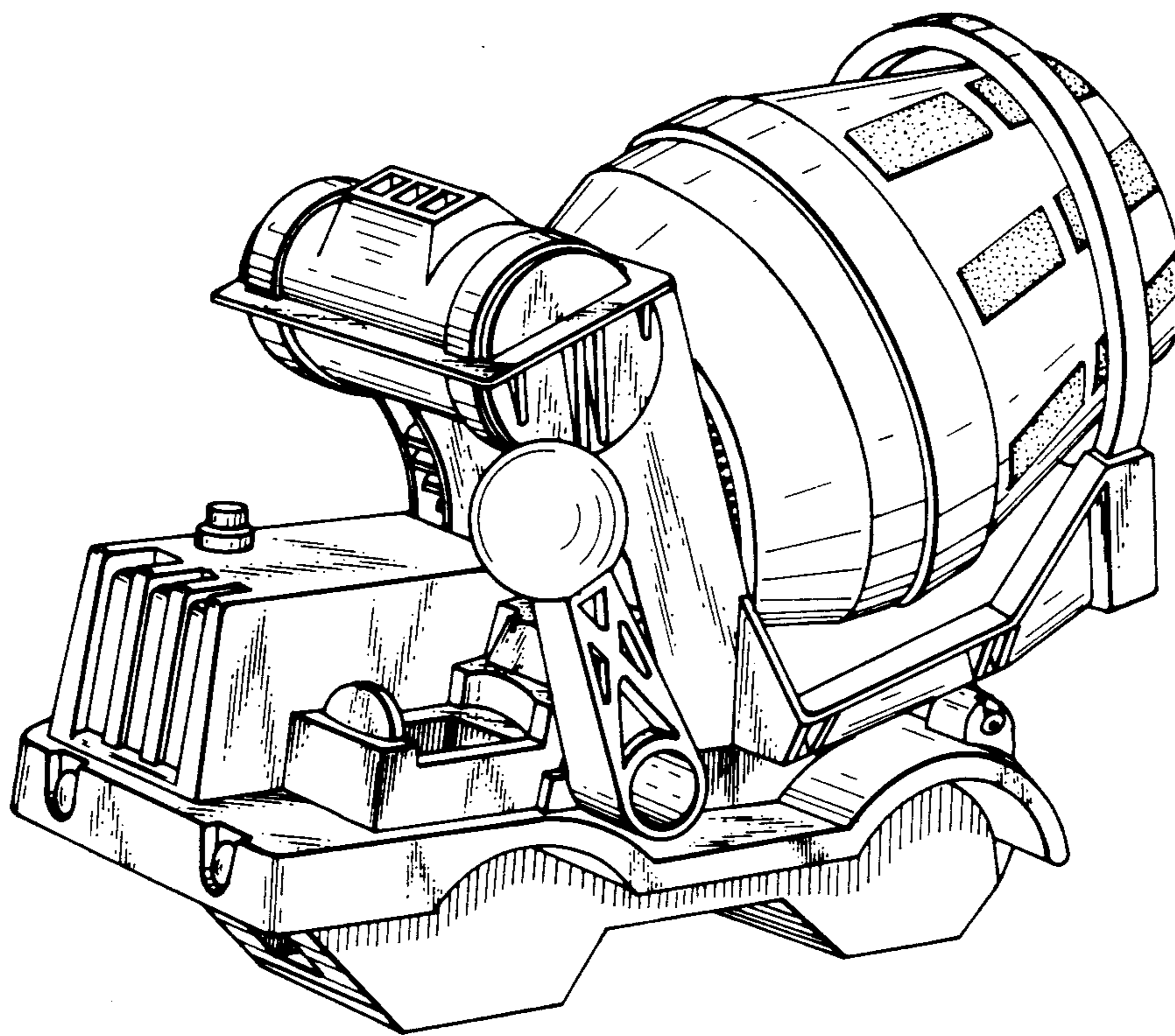
[57]

CLAIM

The ornamental design for a toy cement mixer truck body, substantially as shown.

DESCRIPTION

FIG. 1 is a front perspective view of a toy cement mixer truck body showing my new design; FIG. 2 is a right-side elevational view thereof; FIG. 3 is a bottom plan view thereof; and FIG. 4 is a rear elevational view thereof.



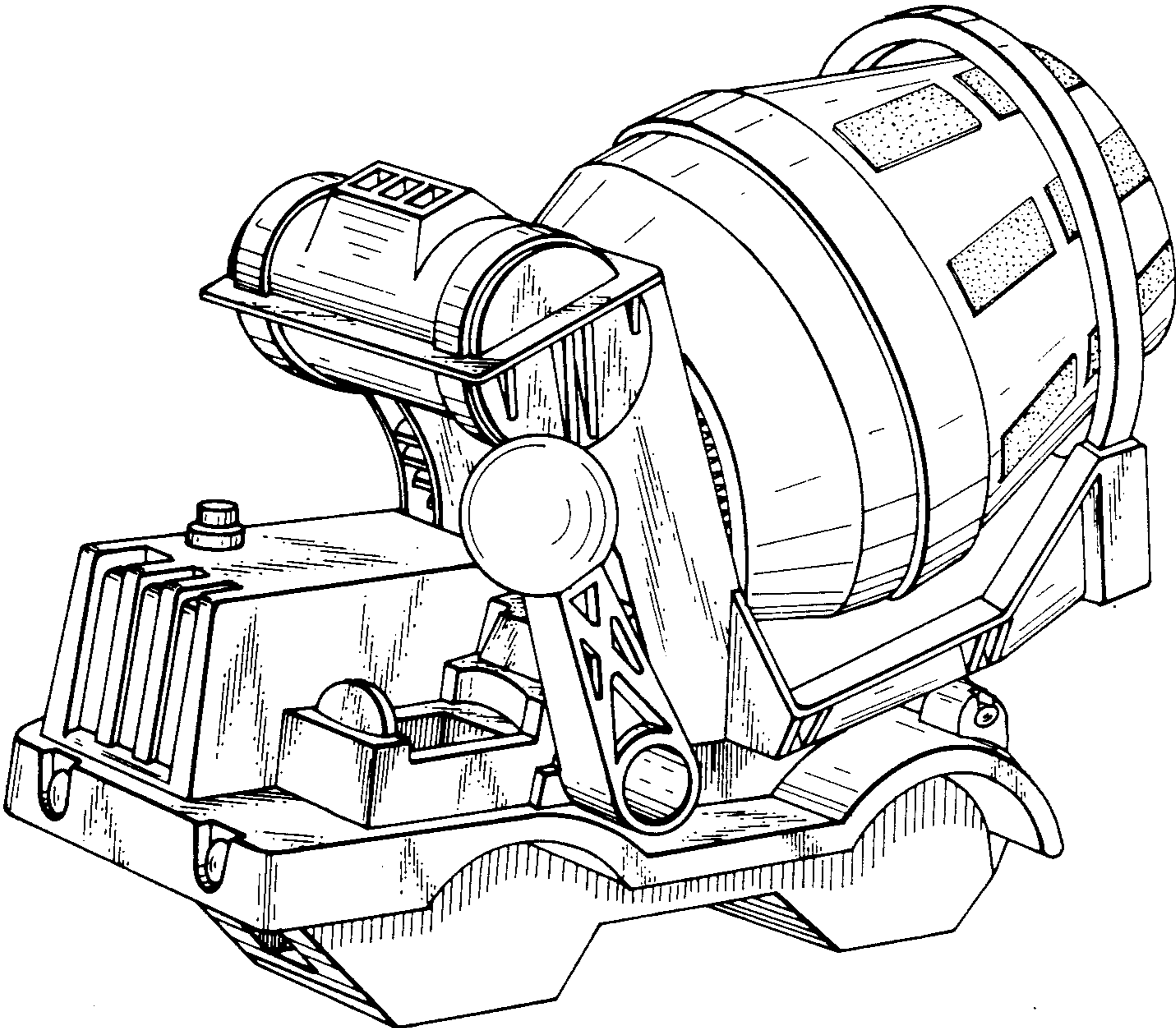


FIG. 1

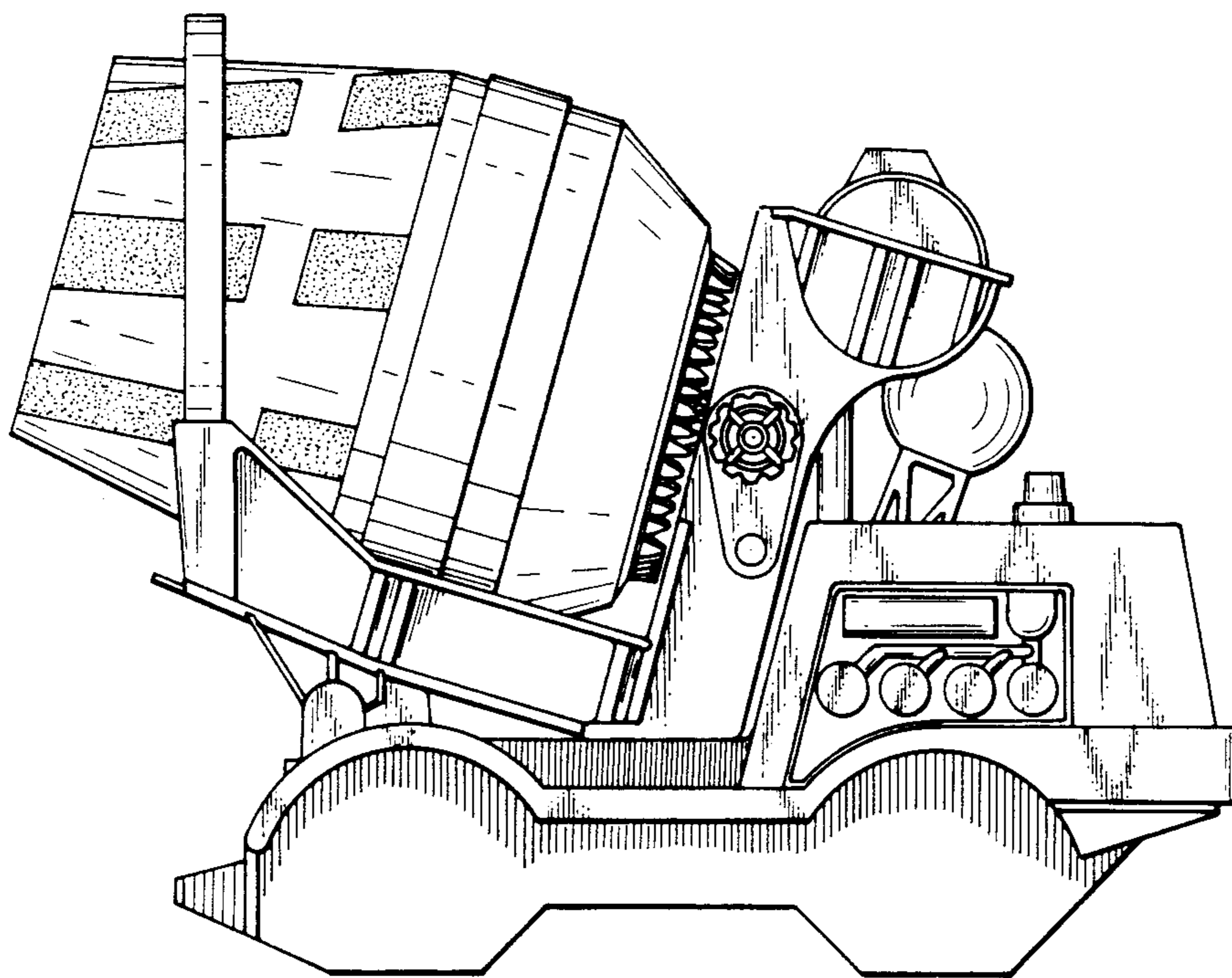


FIG. 2

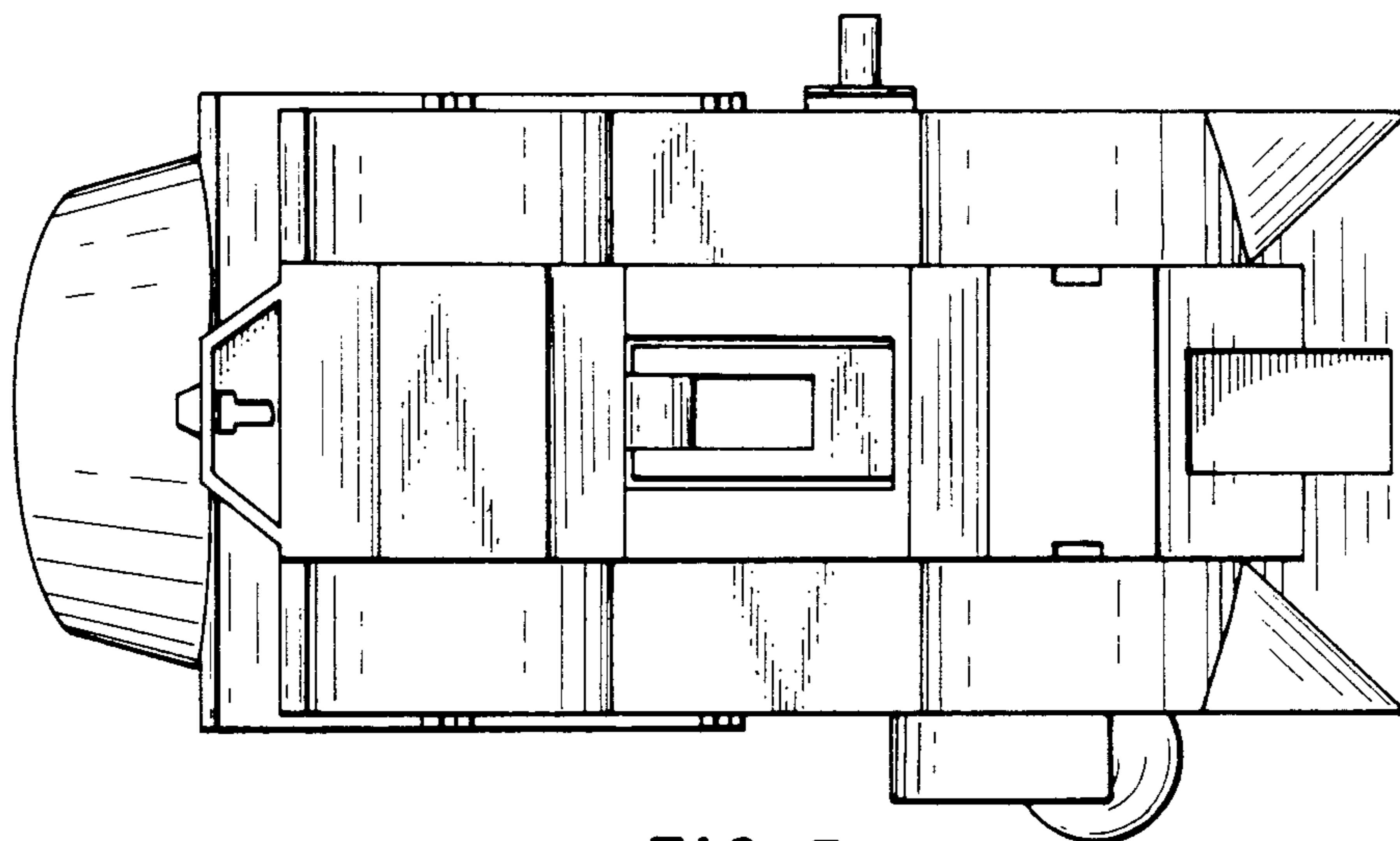


FIG. 3

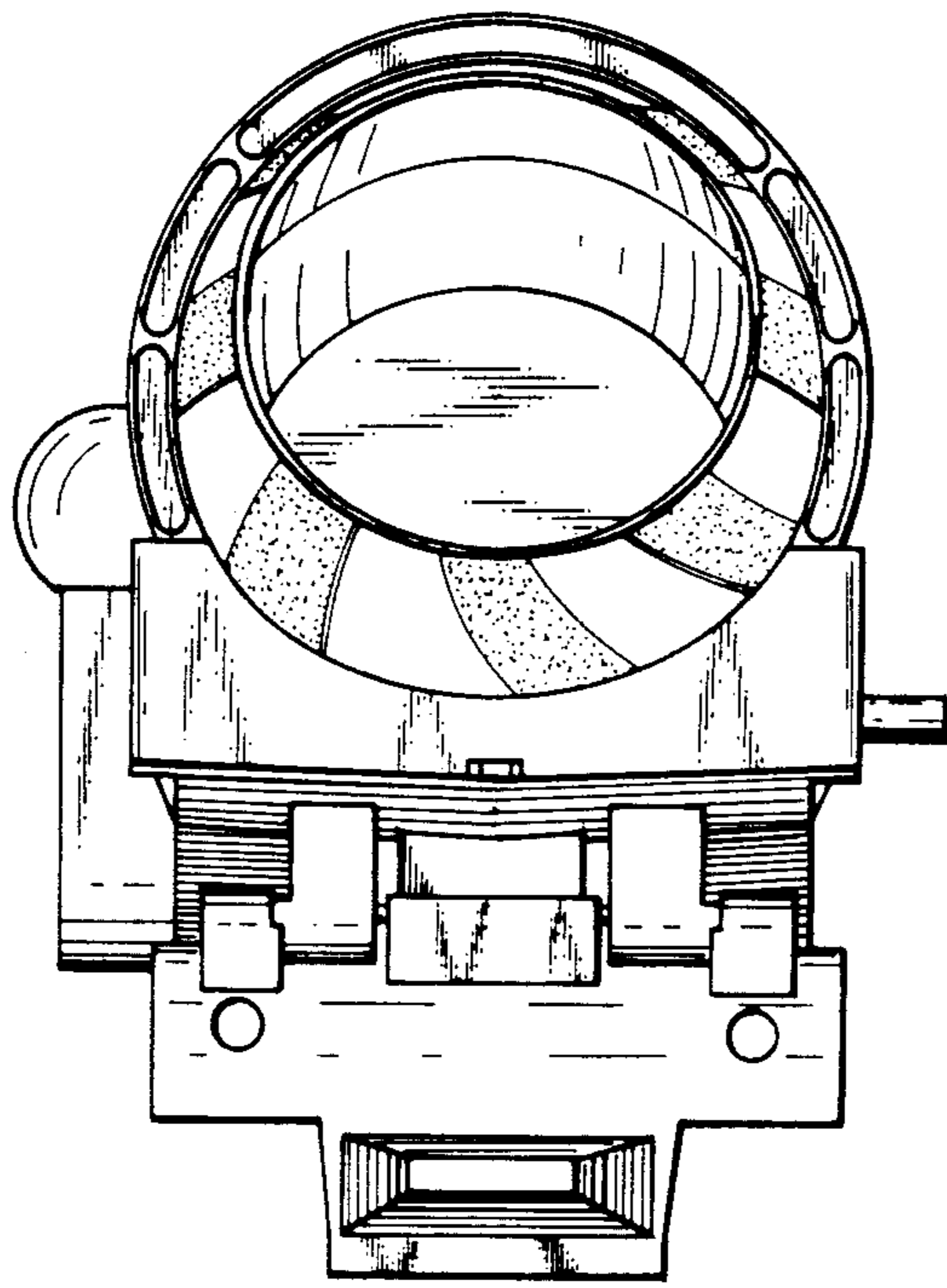


FIG. 4