

[54] TOY TRAIN

[75] Inventor: **Herbert Rosenberg**, Hong Kong, Hong Kong

[73] Assignee: **Arco Industries Ltd.**, Hong Kong, Hong Kong

[\*\*] Term: **14 Years**

[21] Appl. No.: **831,357**

[22] Filed: **Sep. 7, 1977**

[51] Int. Cl. .... **D21-01**

[52] U.S. Cl. .... **D21/129**

[58] Field of Search ..... **D21/129, 149; 46/216, 46/217, 218; D12/39, 40, 41, 36, 42, 38; 104/DIG. 1**

[56] **References Cited**

**U.S. PATENT DOCUMENTS**

D. 210,841	4/1968	Genin .....	D21/129
D. 222,373	10/1971	Ichiro .....	D21/129
3,407,533	10/1968	Hughes .....	D21/129

**FOREIGN PATENT DOCUMENTS**

2333410	11/1975	France .....	46/216
---------	---------	--------------	--------

**OTHER PUBLICATIONS**

Spiegel Catalog, Xmas, 1976, p. 268, Toy Train, second from bottom left side of page.

*Primary Examiner*—Charles A. Rademaker  
*Attorney, Agent, or Firm*—C. Hercus Just

[57] **CLAIM**

The ornamental design for a toy train, substantially as shown and described.

**DESCRIPTION**

FIG. 1 is a perspective view of a toy train showing my new design.

FIG. 2 is a side elevational view of the locomotive member, the side opposite being a mirror image.

FIG. 3 is a rear elevational view thereof.

FIG. 4 is a front elevational view thereof.

FIG. 5 is a top plan view thereof.

FIG. 6 is a side elevational view of the passenger car member, the side opposite being a mirror image.

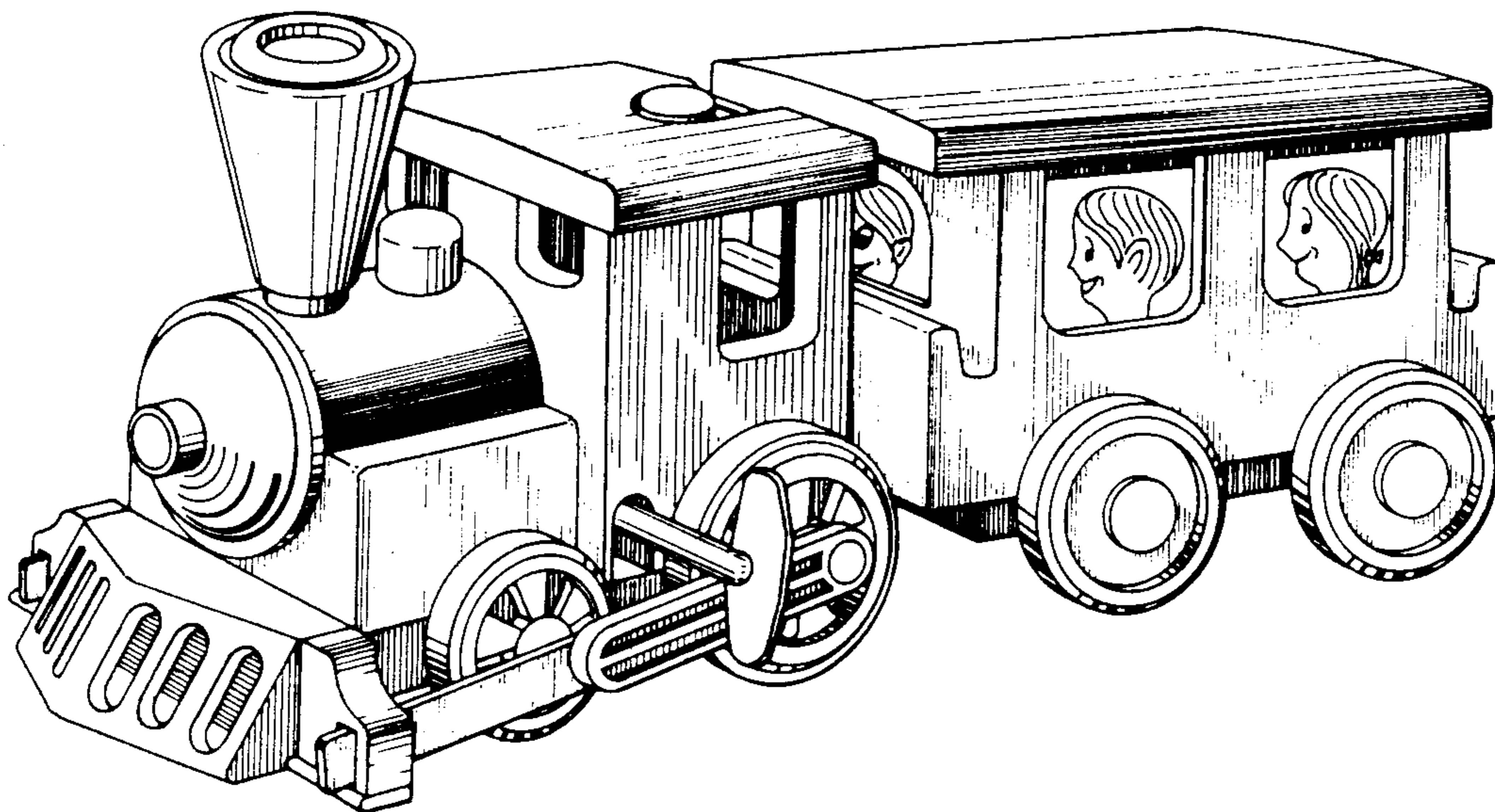
FIG. 7 is a front elevational view thereof.

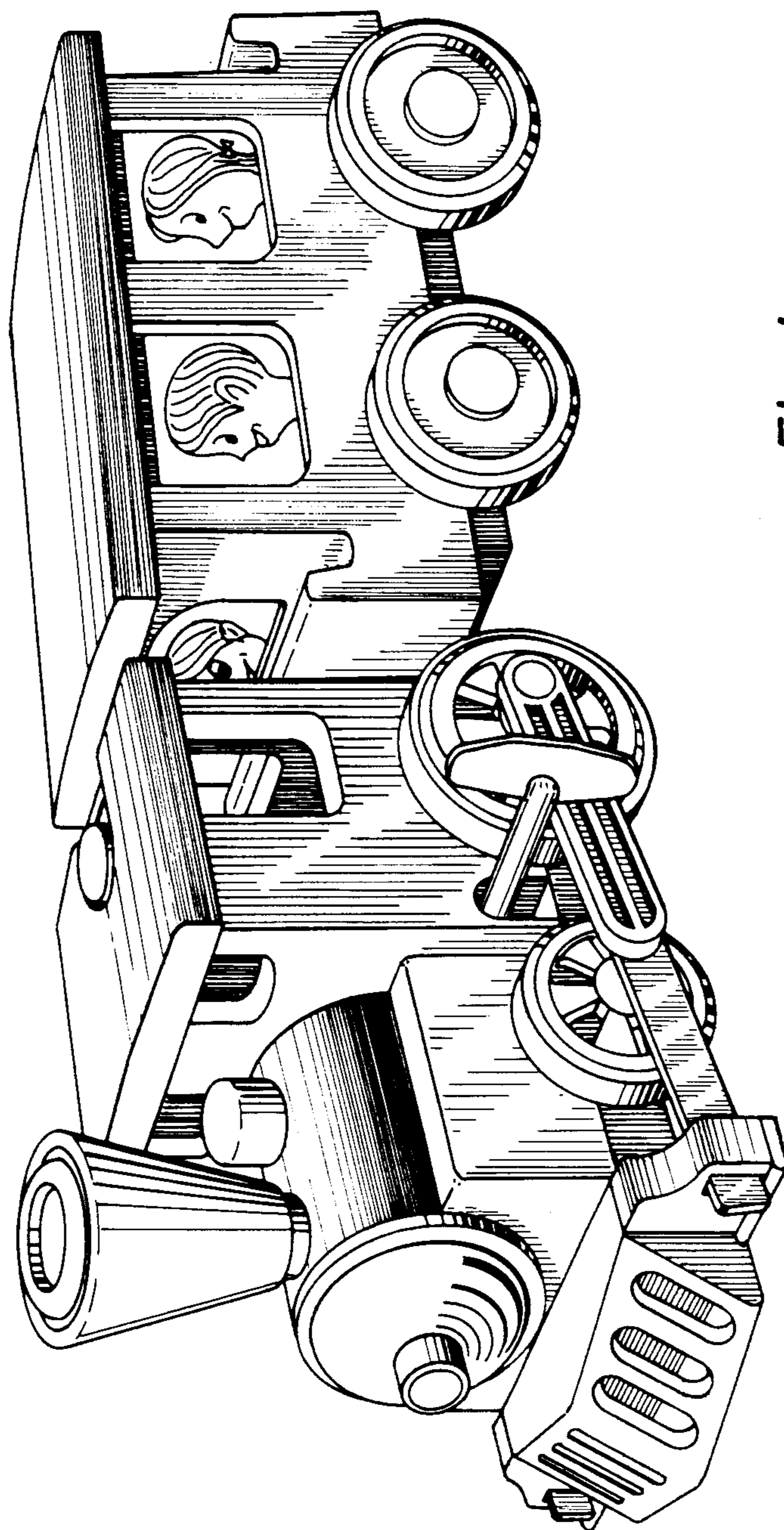
FIG. 8 is a rear elevational view thereof.

FIG. 9 is a top plan view thereof.

FIG. 10 is a bottom plan view of the locomotive member.

FIG. 11 is a bottom plan view of the passenger car member.





*Fig. 1*

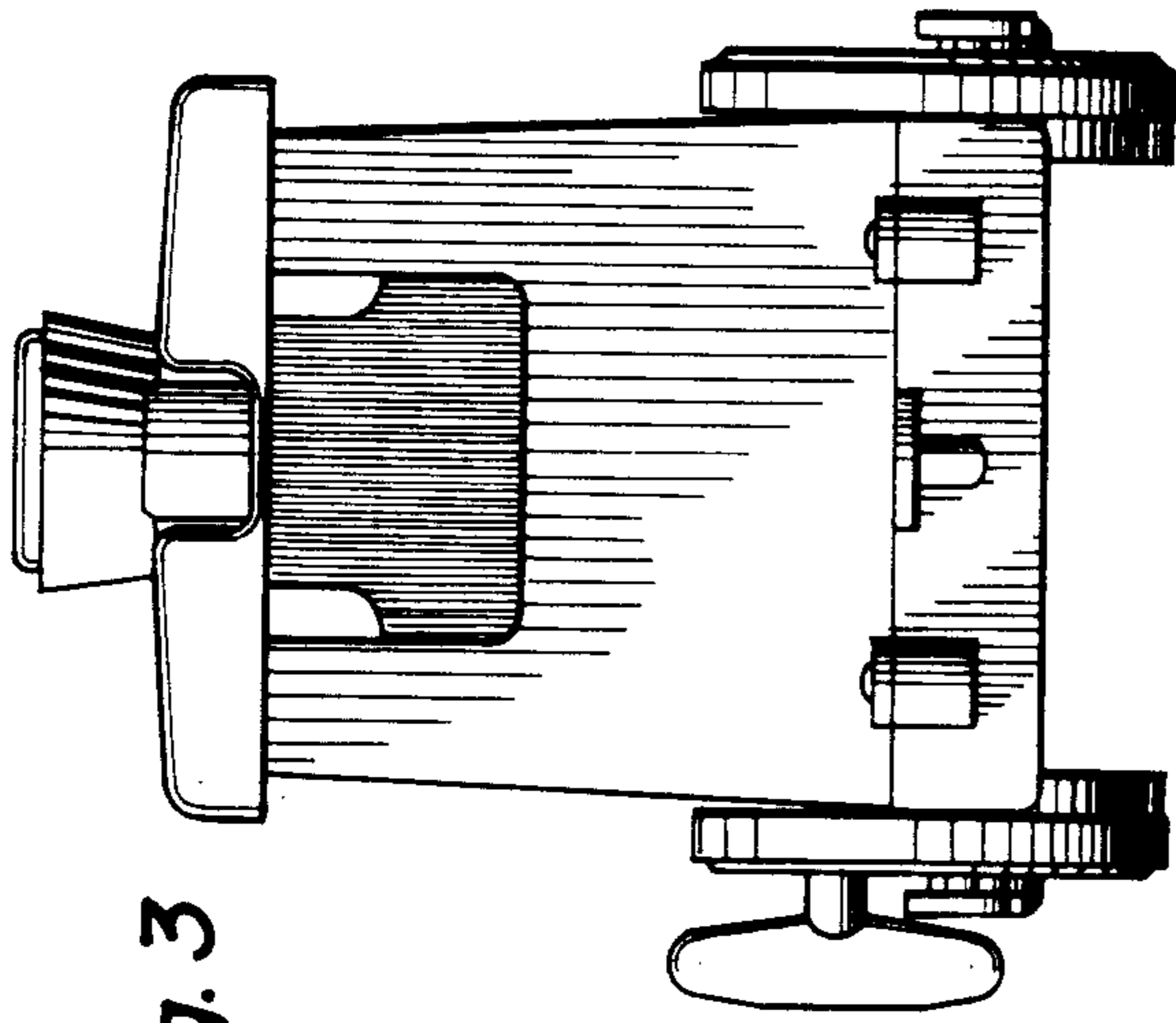


Fig. 3

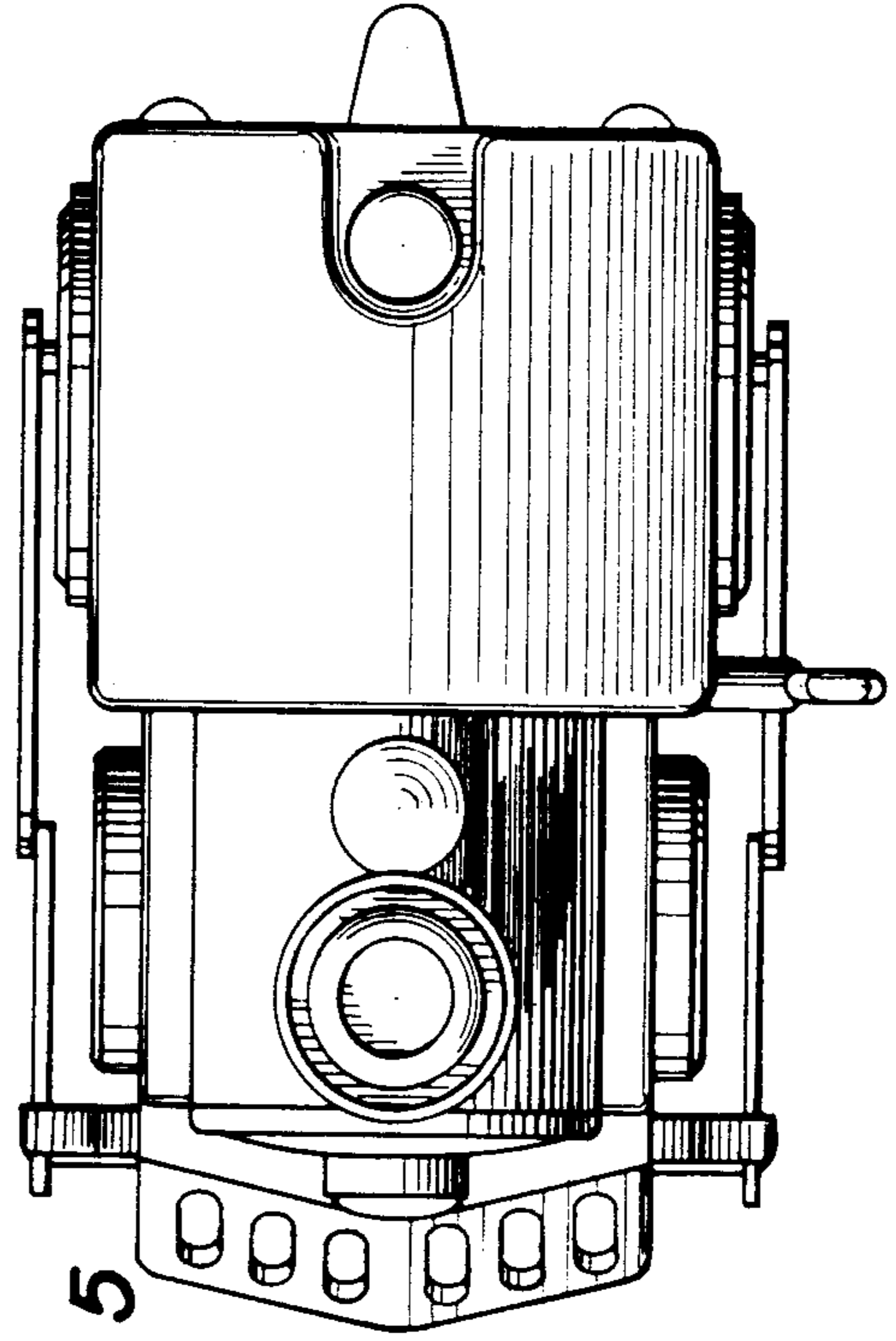


Fig. 5

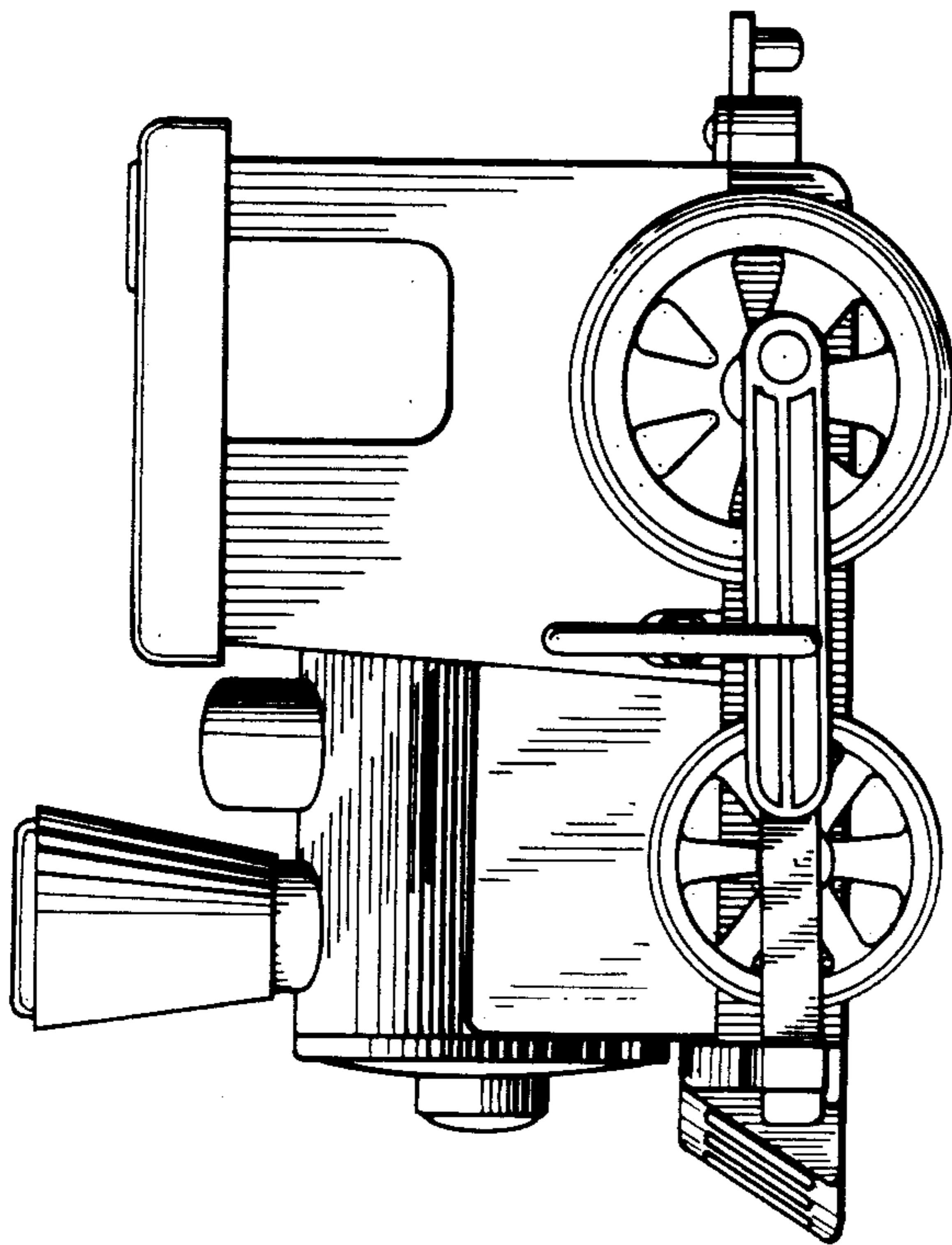


Fig. 2

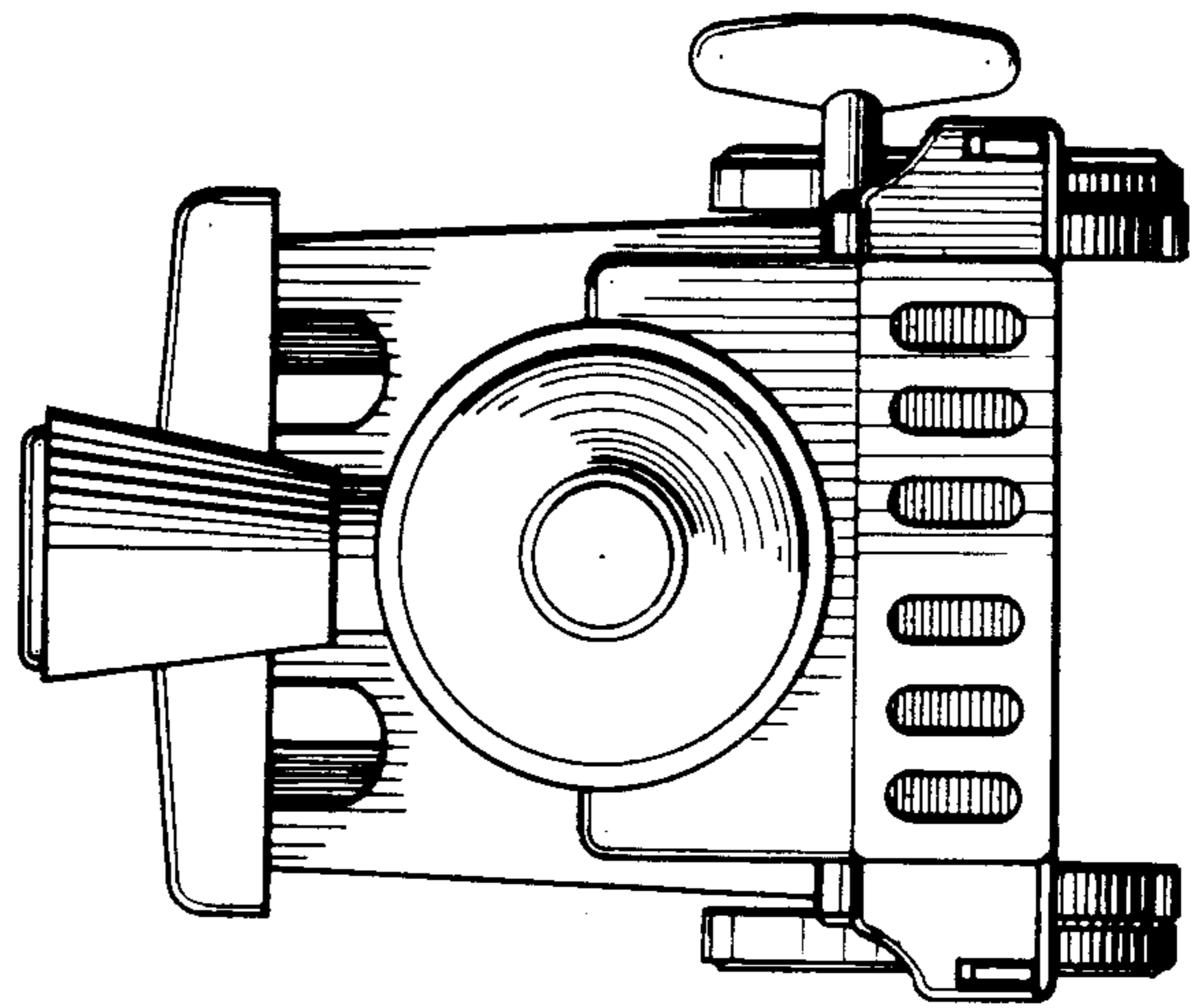


Fig. 4

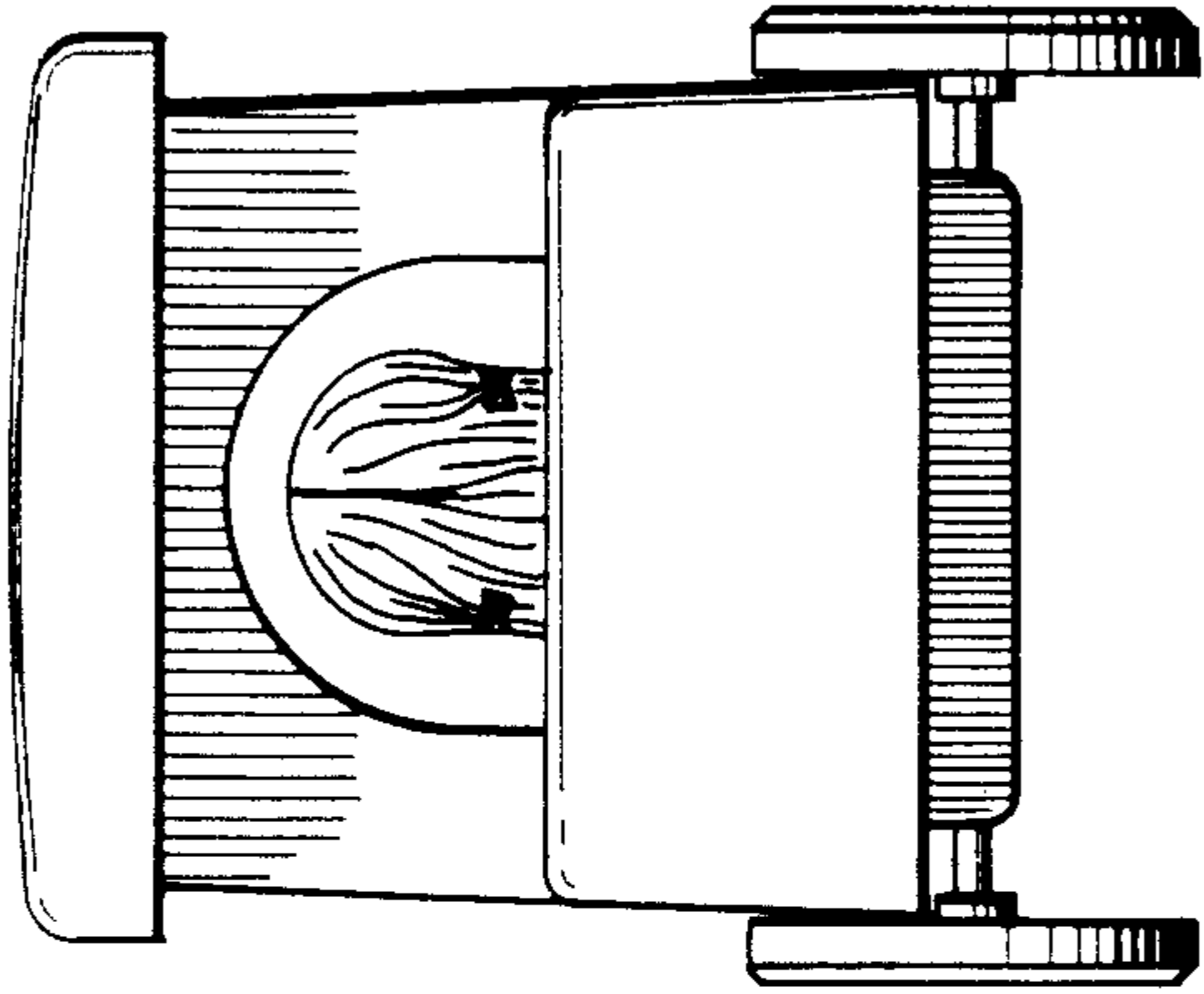


Fig. 8

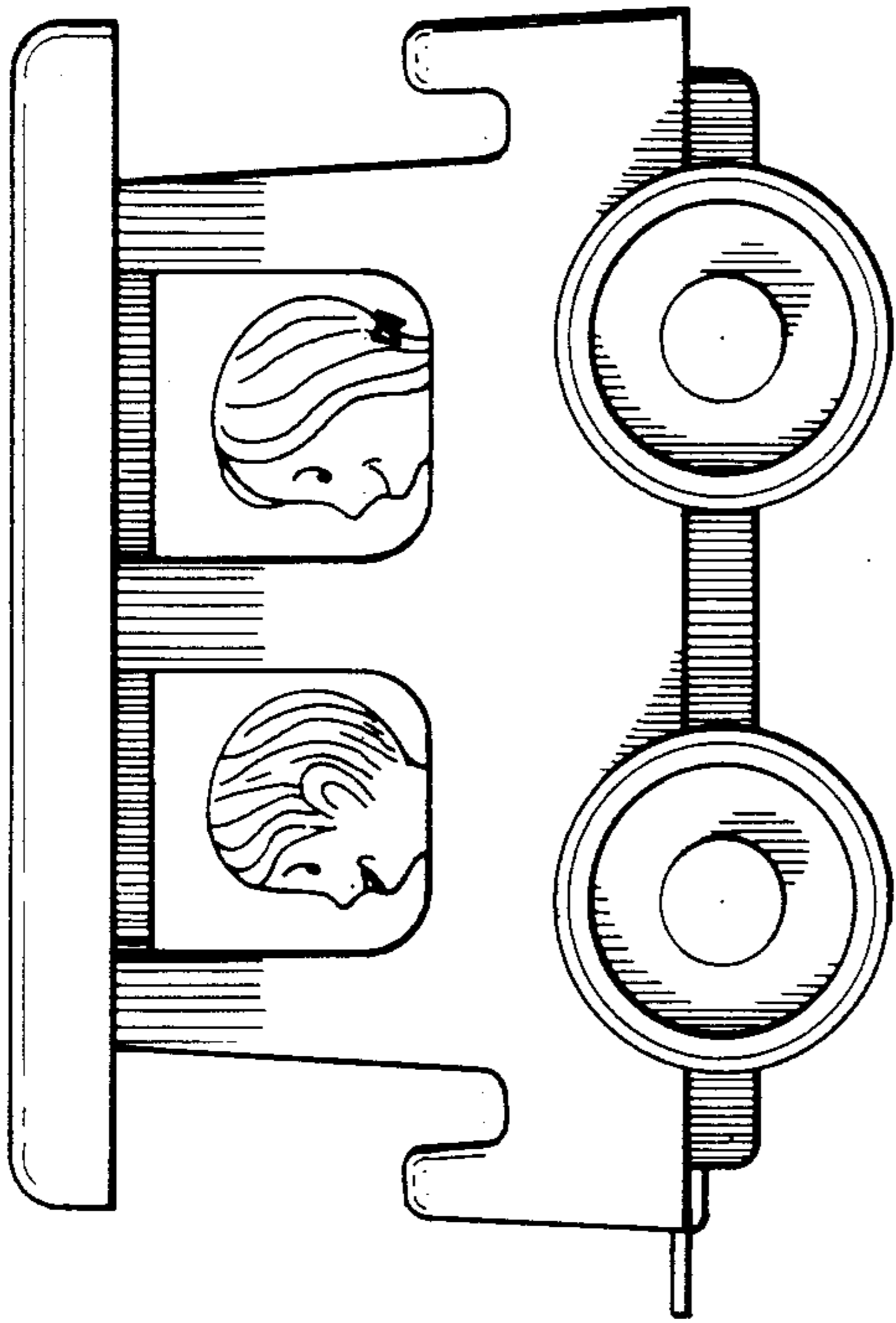


Fig. 6

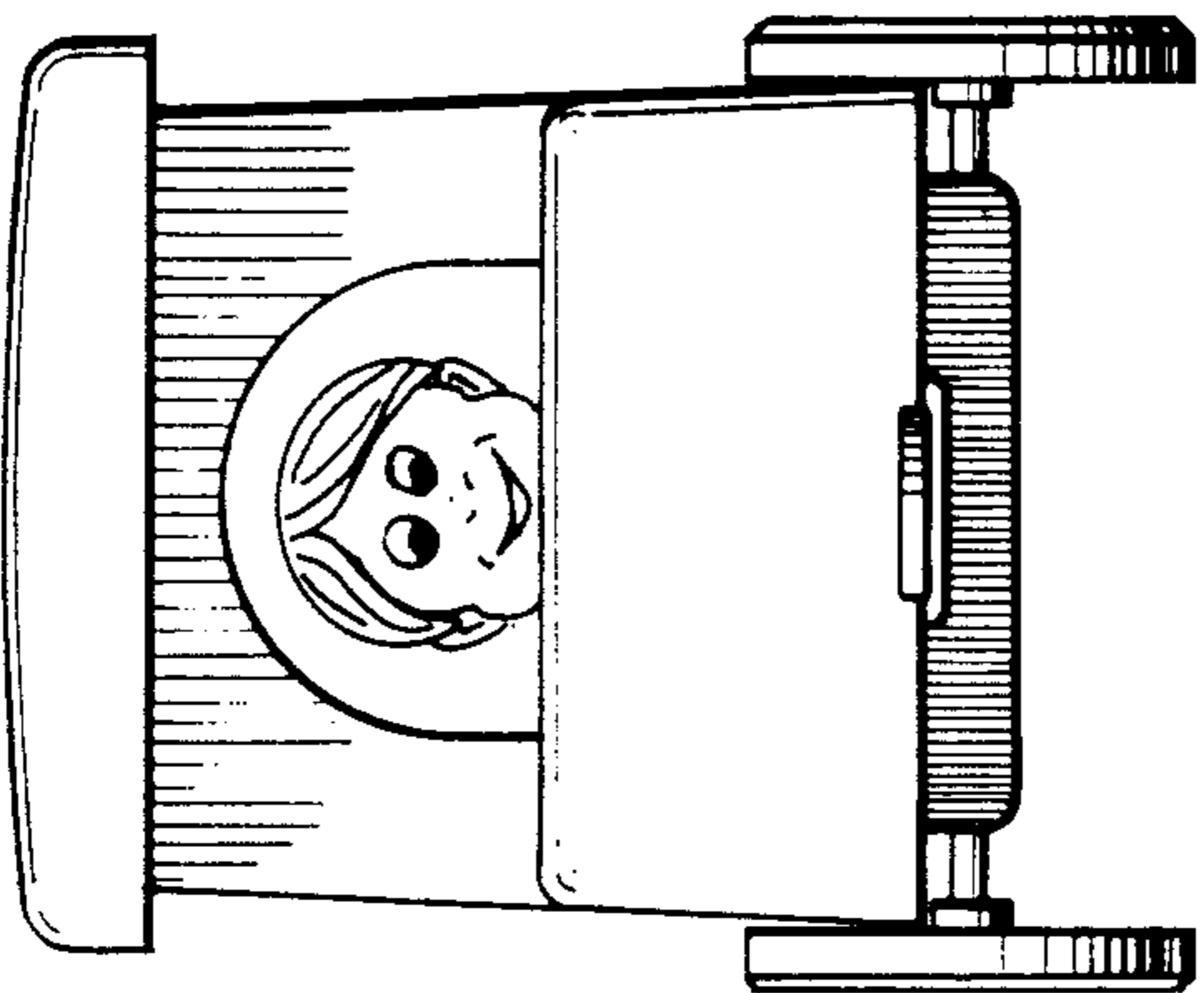


Fig. 7

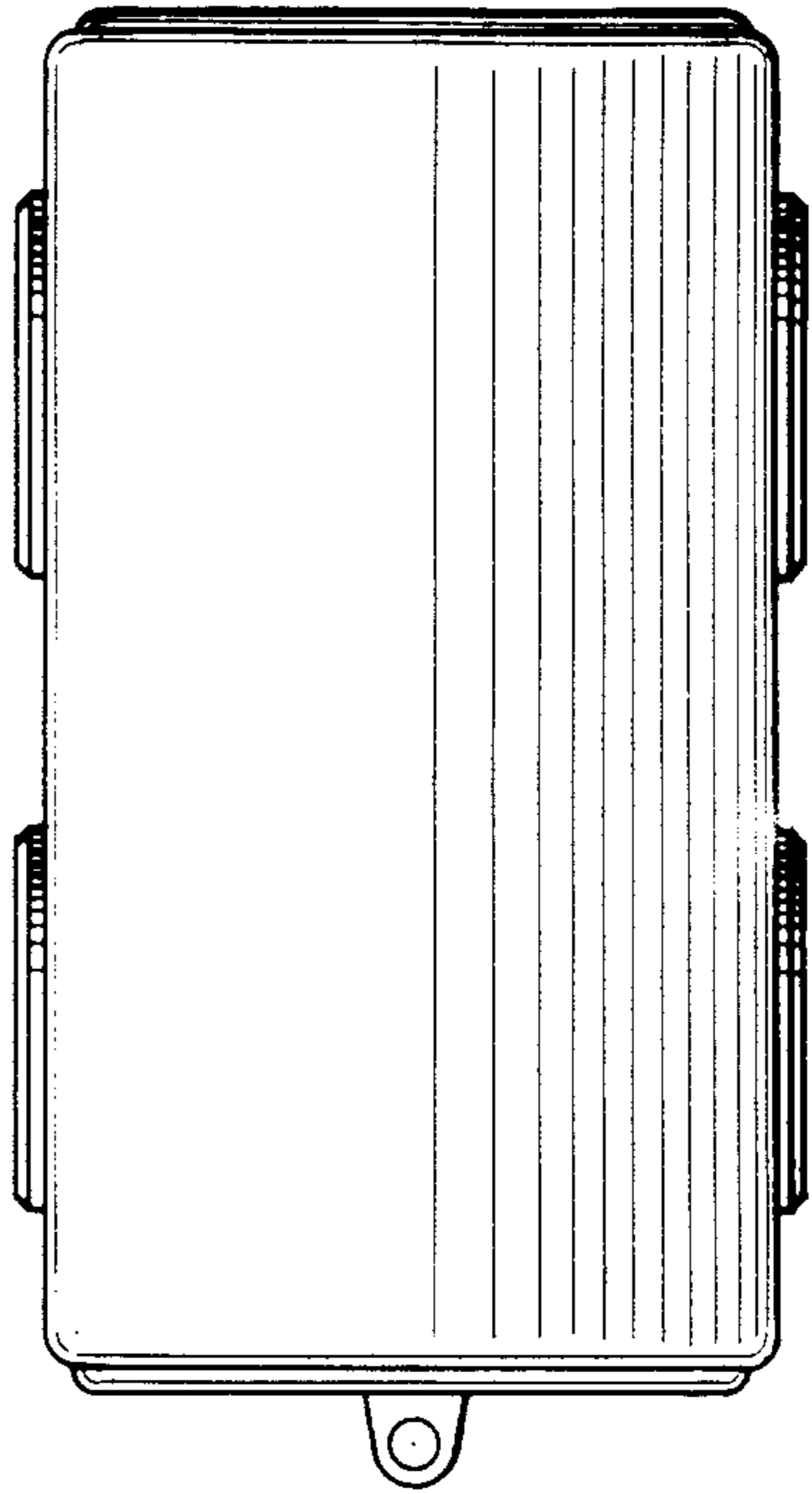
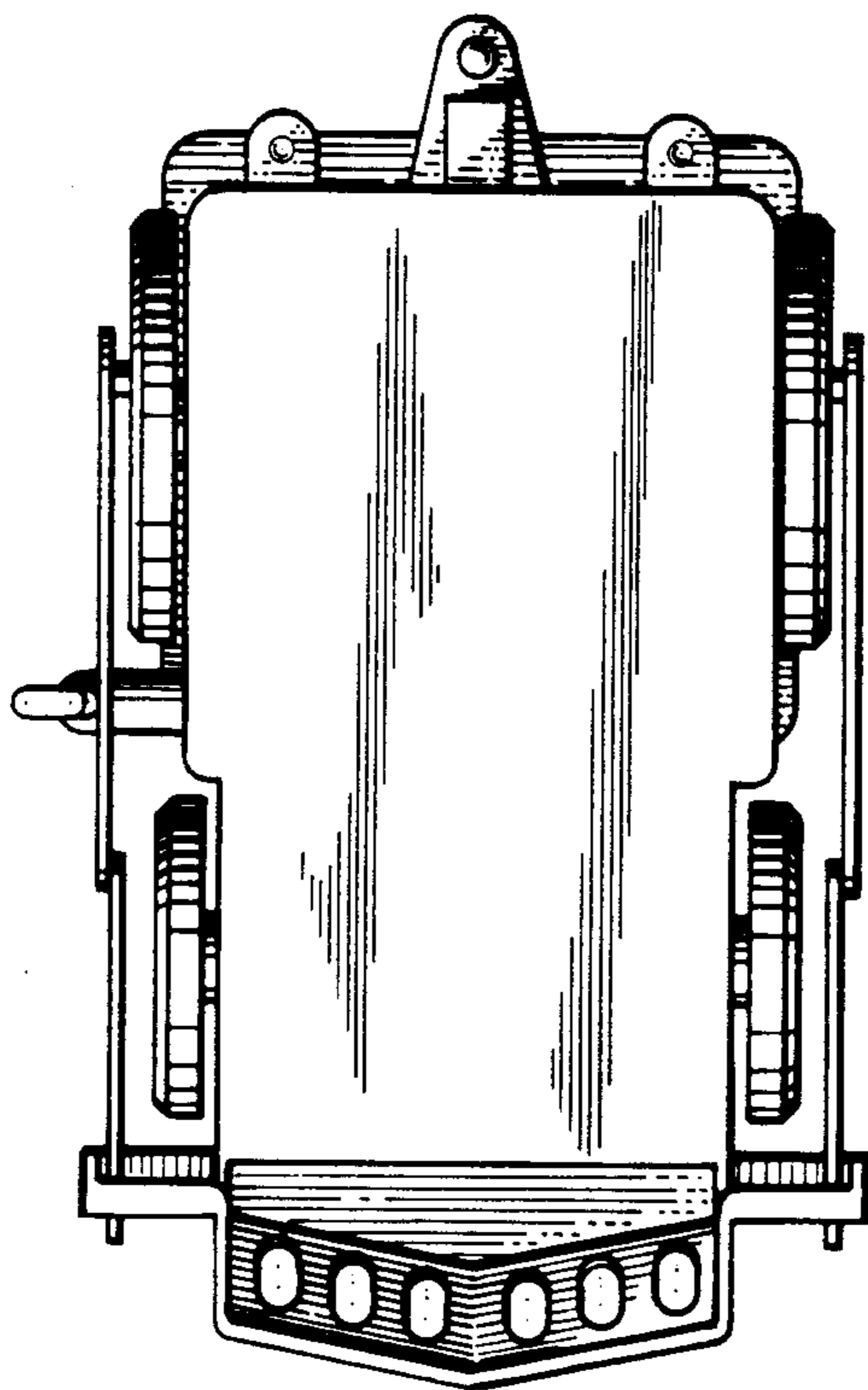
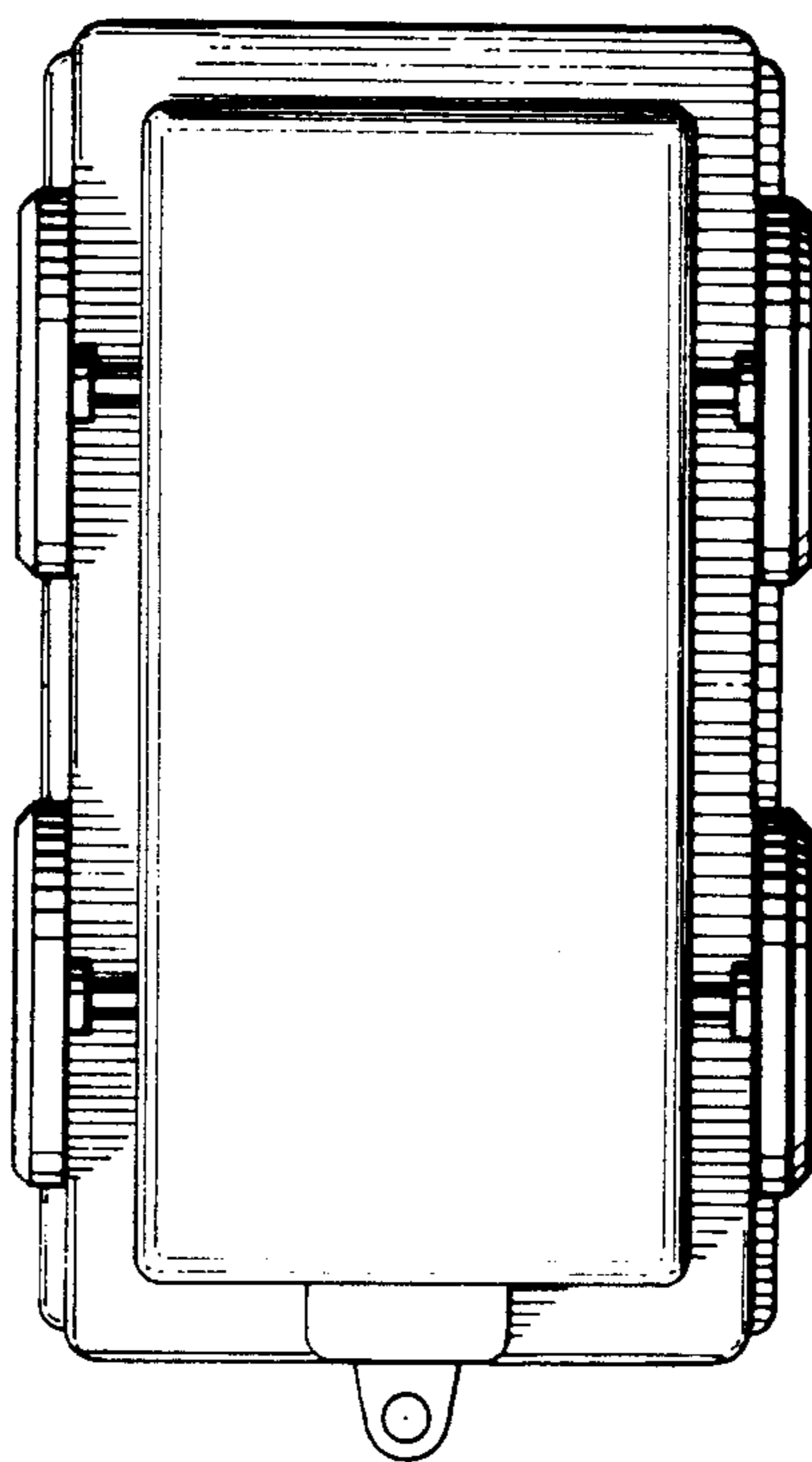


Fig. 9



*Fig. 10*



*Fig. II*