

[54] TOY MIXER

[75] Inventor: **Ronald R. Klawitter**, Gasconade County, Mo.

[73] Assignee: **Steven Manufacturing Company**

[**] Term: **14 Years**

[21] Appl. No.: **896,785**

[22] Filed: **Apr. 17, 1978**

[51] Int. Cl. **D21-01**

[52] U.S. Cl. **D21/122; D7/158**

[58] Field of Search **D21/59, 64, 109, 122, D21/124; D7/157, 158, 159; 46/1 R, 14, 39, 40; 416/69, 77, 227 R, 241**

[56] **References Cited**

U.S. PATENT DOCUMENTS

D. 184,090	12/1958	Hamilton	D7/158
D. 226,958	5/1973	Florian	D7/158
3,827,824	8/1974	Waak	46/14

Primary Examiner—Charles A. Rademaker
Attorney, Agent, or Firm—Philip B. Polster

[57] **CLAIM**

The ornamental design for a toy mixer, as shown and described.

DESCRIPTION

FIG. 1 is a perspective view of a toy mixer showing my new design;

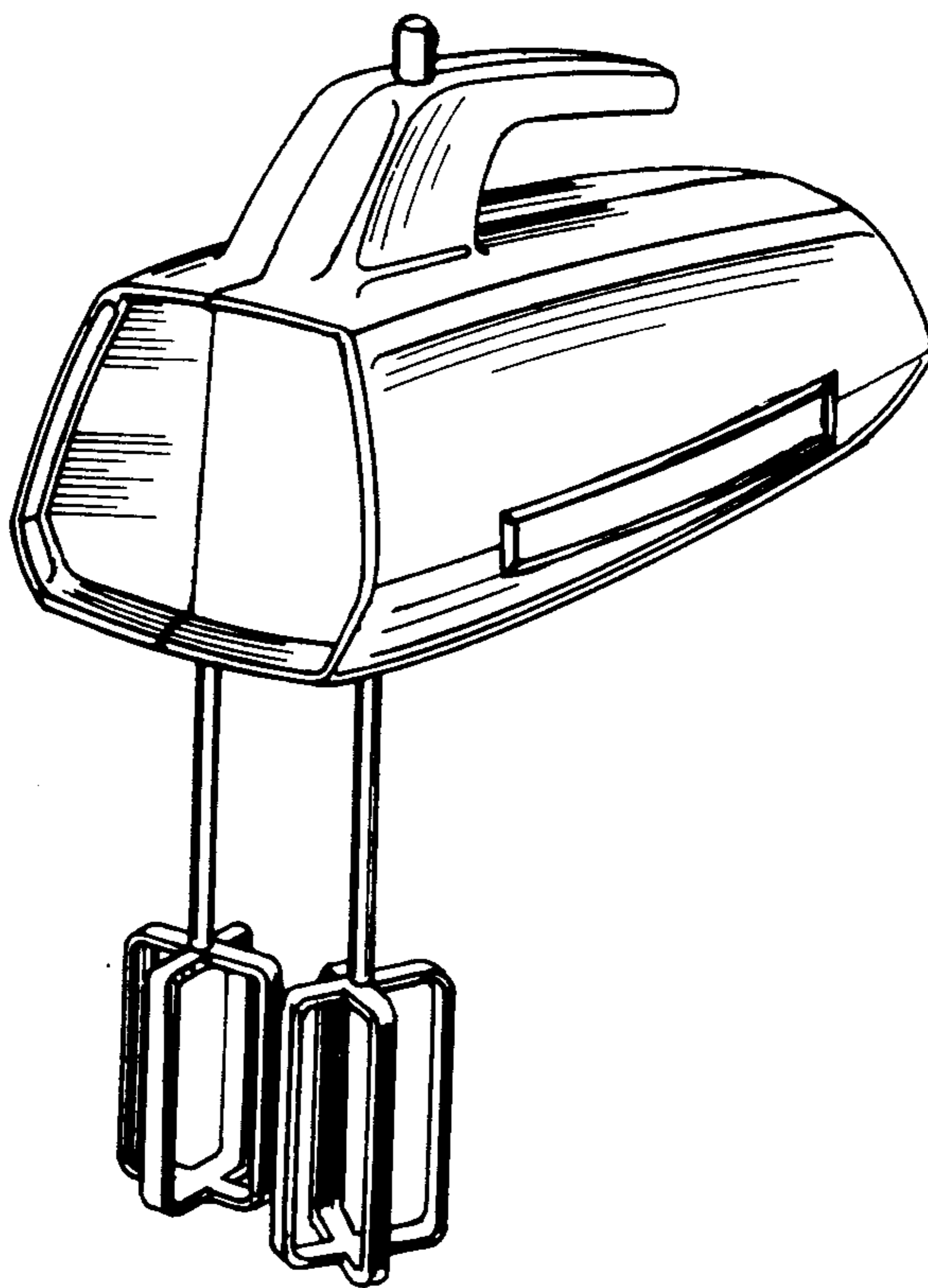
FIG. 2 is a top plan view thereof;

FIG. 3 is a right side elevational view thereof, the side opposite being substantially a mirror image;

FIG. 4 is a front elevational view thereof;

FIG. 5 is a rear elevational view thereof; and,

FIG. 6 is a bottom plan view thereof.



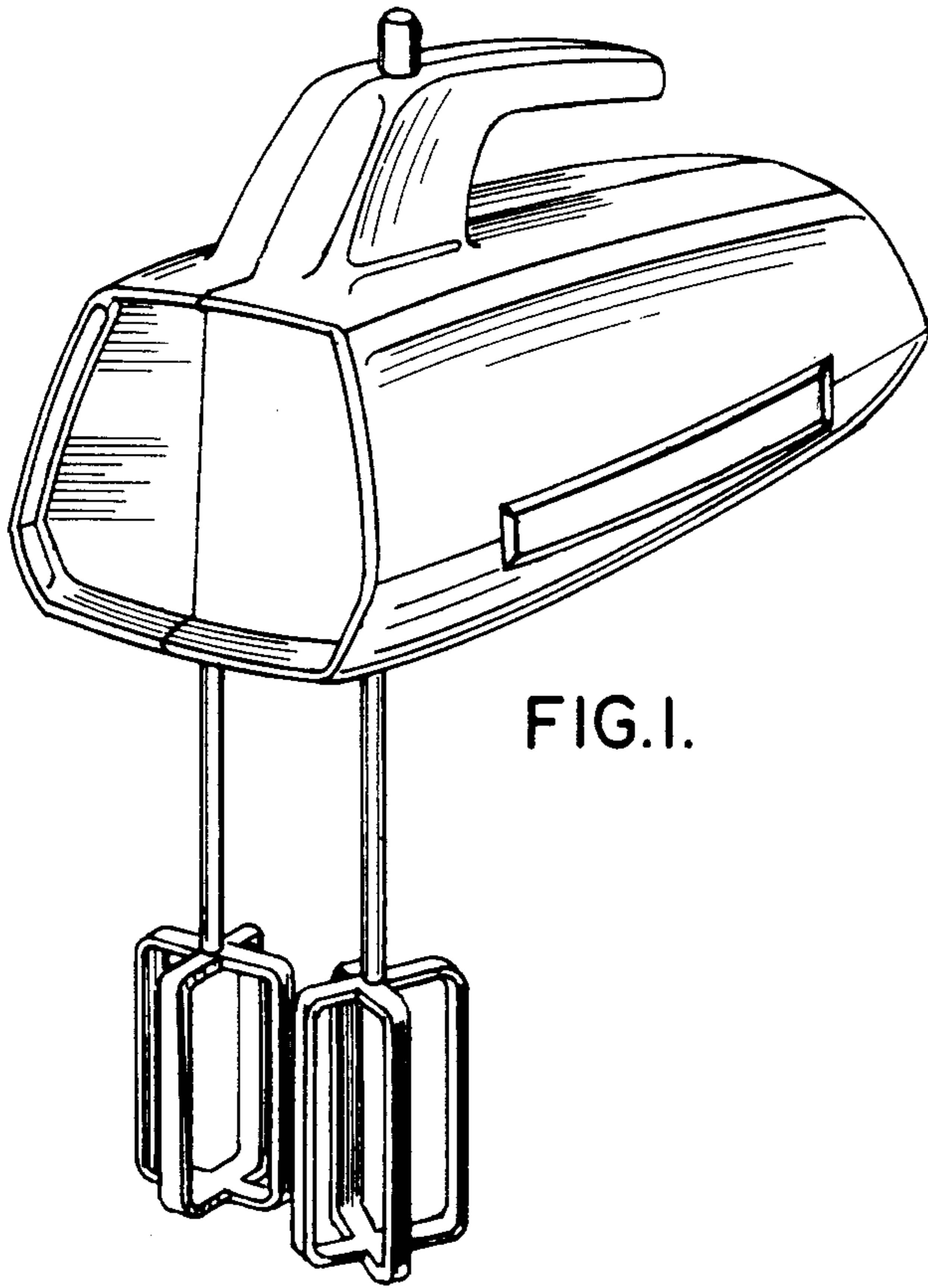


FIG. 1.

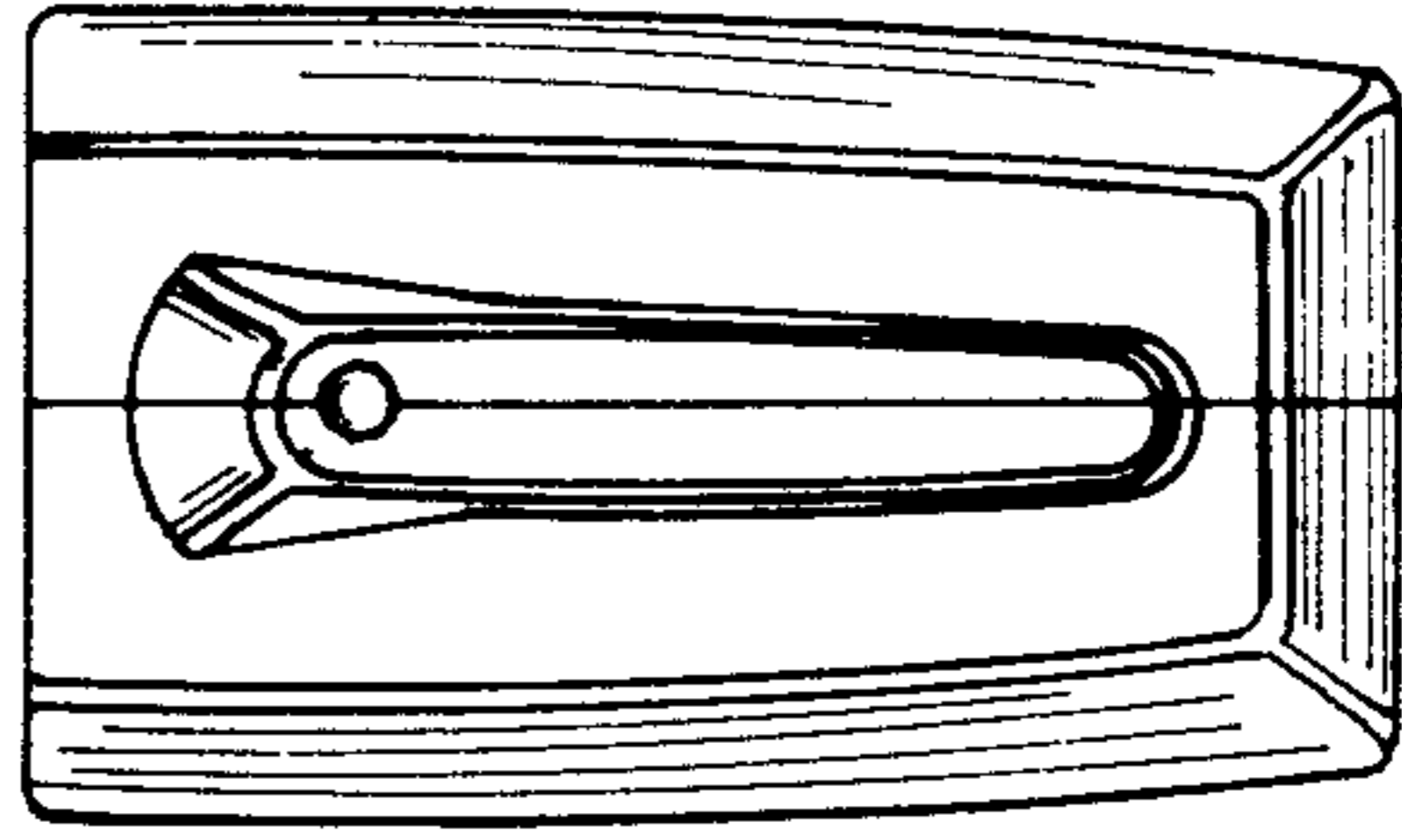


FIG. 2.

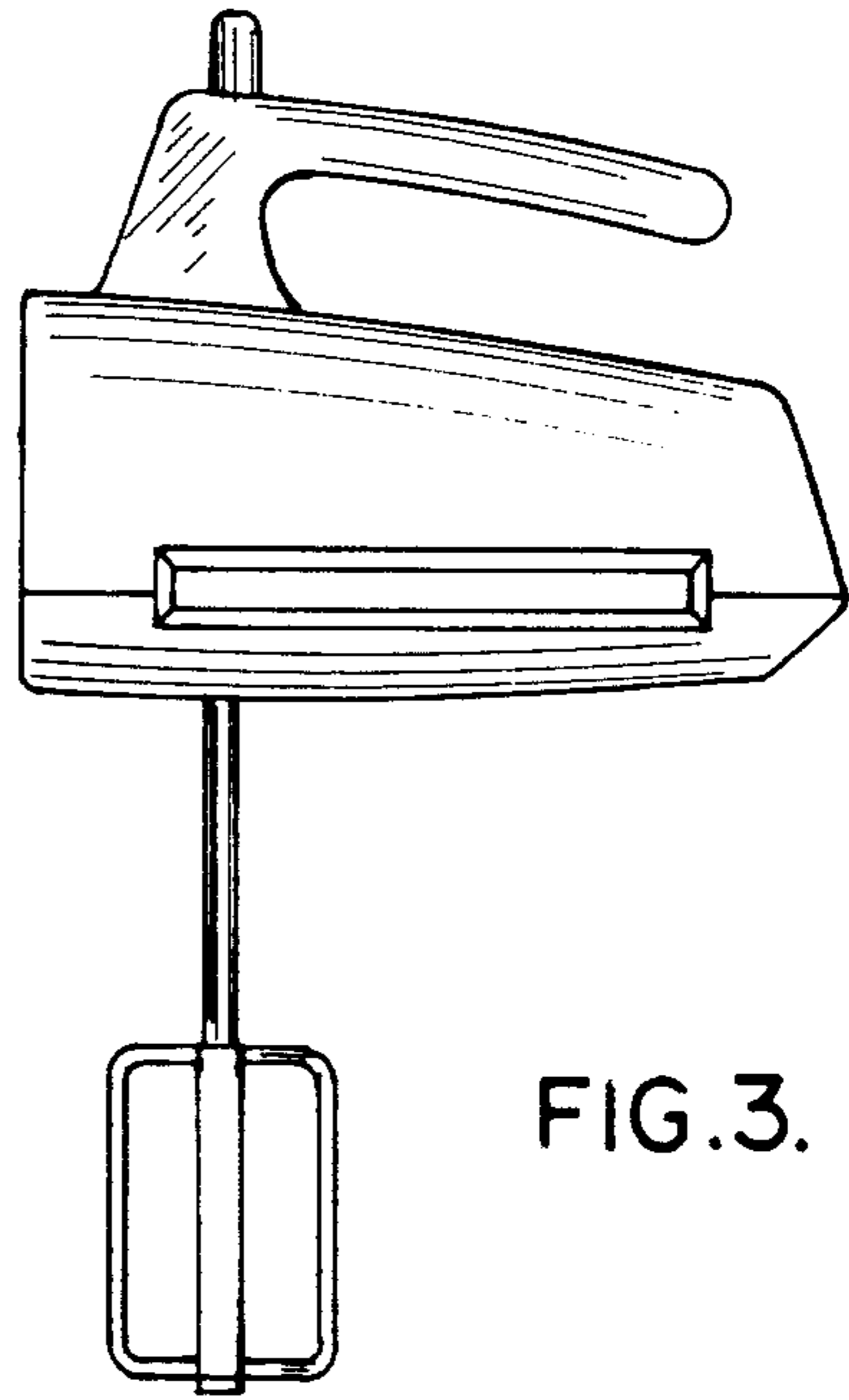


FIG. 3.

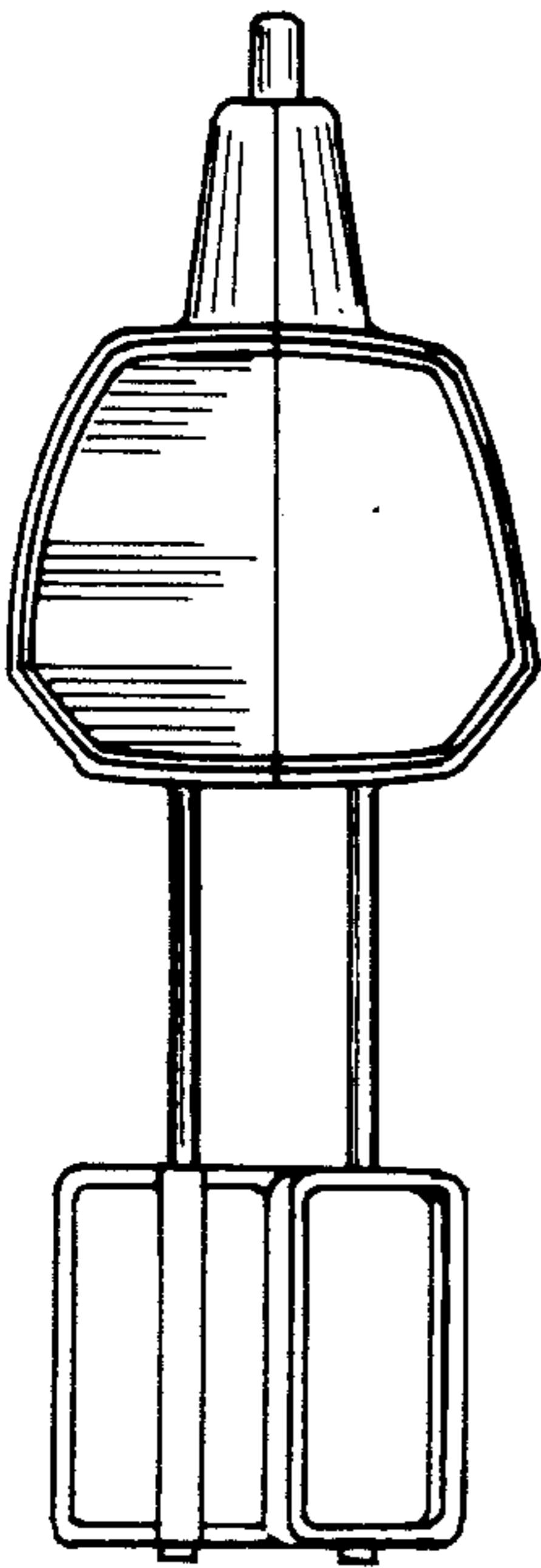


FIG. 4.

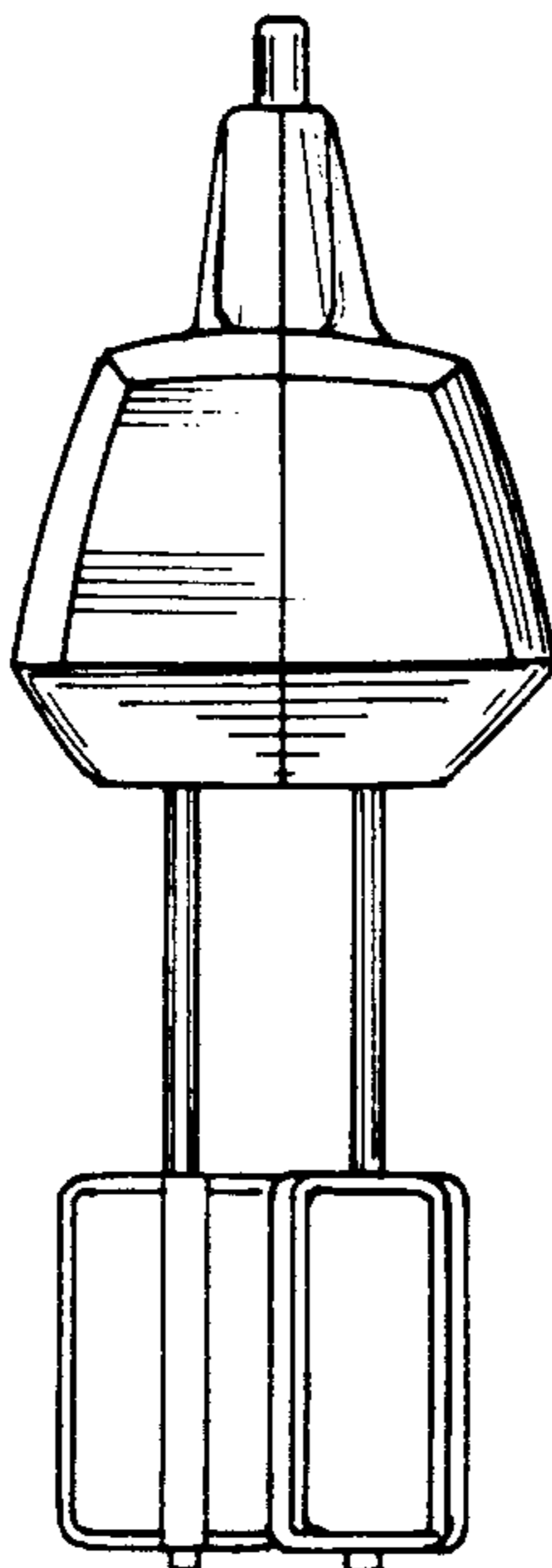


FIG. 5.

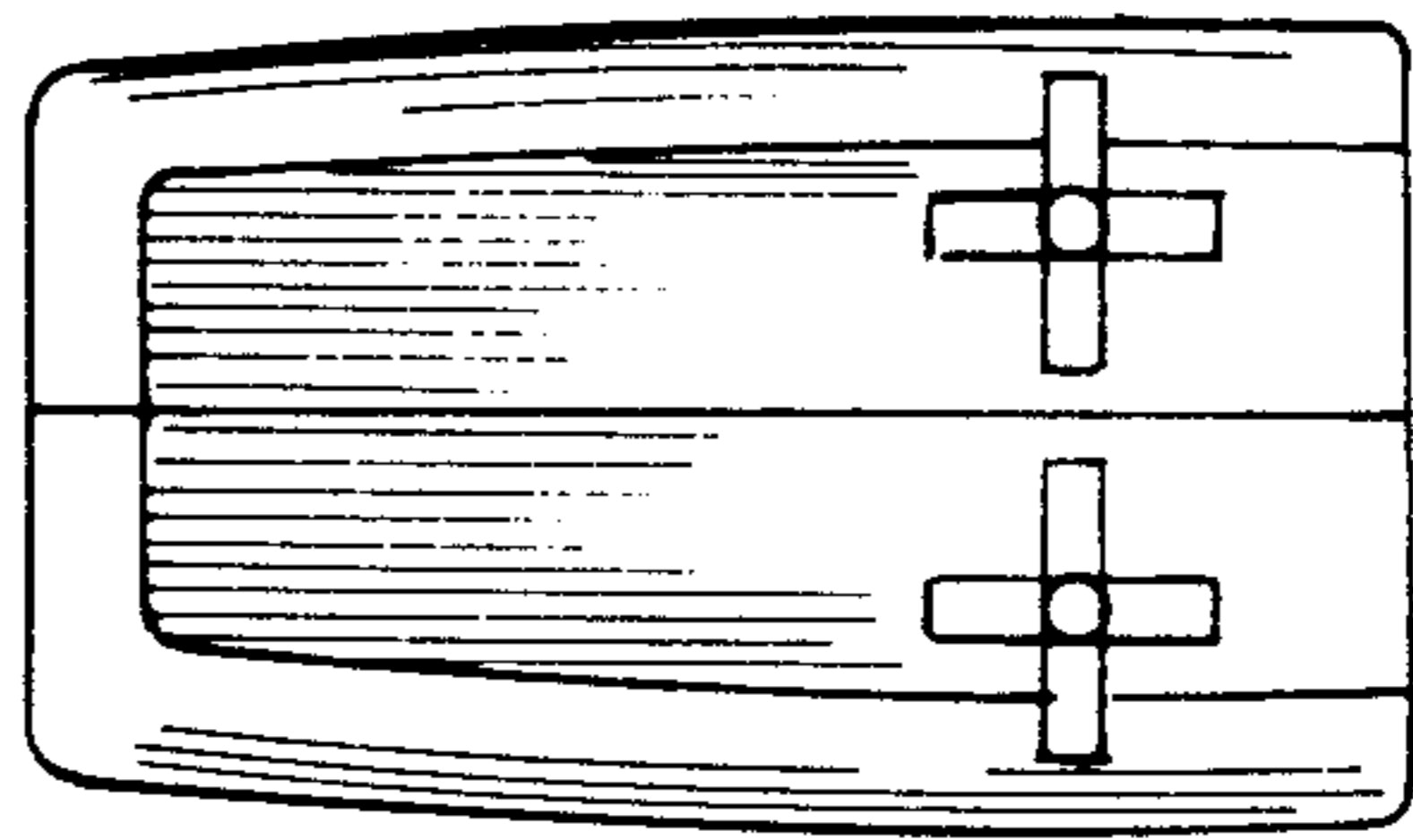


FIG. 6.