

[54] GATED HOOK FOR TUFTING MACHINES

[75] Inventor: Gary L. Ingram, Ooltewah, Tenn.

[73] Assignee: Spencer Wright Industries, Inc.,
Chattanooga, Tenn.

[**] Term: 14 Years

[21] Appl. No.: 939,411

[22] Filed: Sep. 5, 1978

[51] Int. Cl. D15-99

[52] U.S. Cl. D15/78

[58] Field of Search D15/66, 77, 78;
112/79 R, 79 A

[56] References Cited

U.S. PATENT DOCUMENTS

2,879,729 3/1959 McCutchen 112/79 R
4,134,347 1/1979 Jolley et al. 112/79 R

FOREIGN PATENT DOCUMENTS

1318222 5/1973 United Kingdom 112/79 A

OTHER PUBLICATIONS

Manmade Textiles, Aug. 1964, p. 67, Item "A."

Primary Examiner—Joel Stearman

Assistant Examiner—Carmen H. Vales

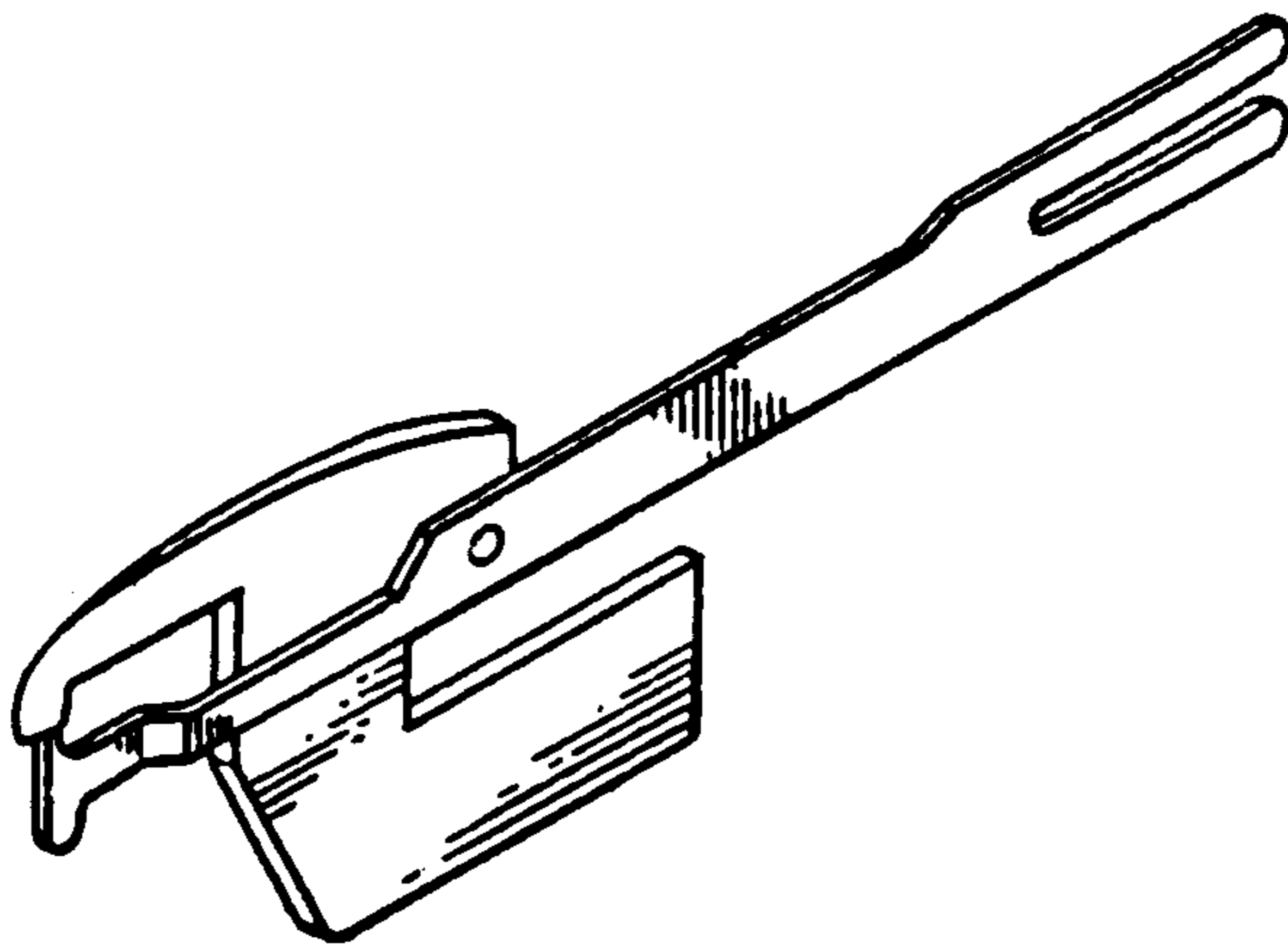
Attorney, Agent, or Firm—Alan Ruderman

[57] CLAIM

The ornamental design for a gated hook for tufting machines, substantially as shown.

DESCRIPTION

FIG. 1 is a perspective view of a gated hook for tufting machines showing my new design; FIG. 2 is a front elevational view thereof; FIG. 3 is a rear elevational view thereof; FIG. 4 is an end view taken from the left of FIG. 2; FIG. 5 is an end view taken from the right of FIG. 2; FIG. 6 is a top plan view thereof; and FIG. 7 is a bottom plan view thereof.



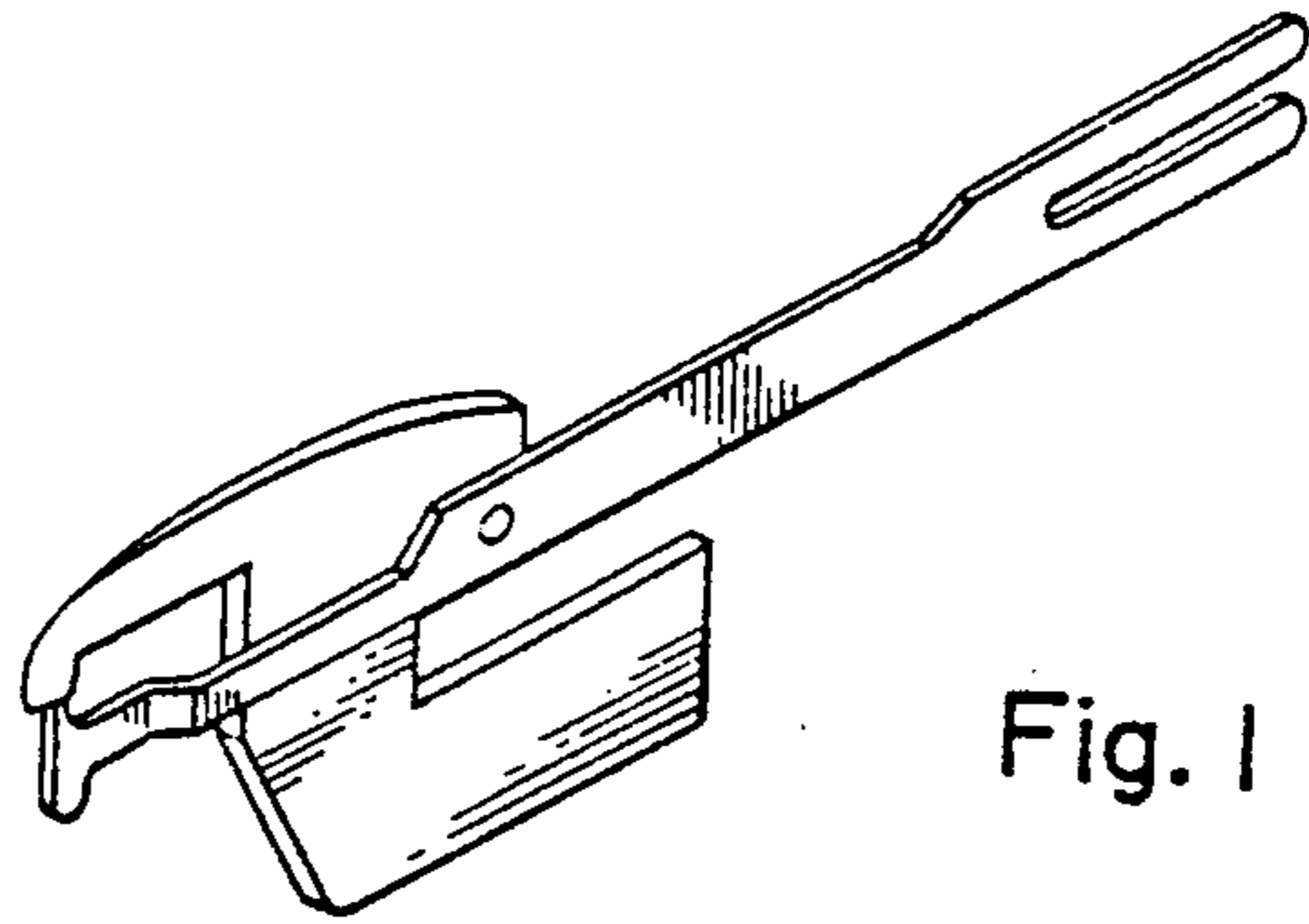


Fig. 1

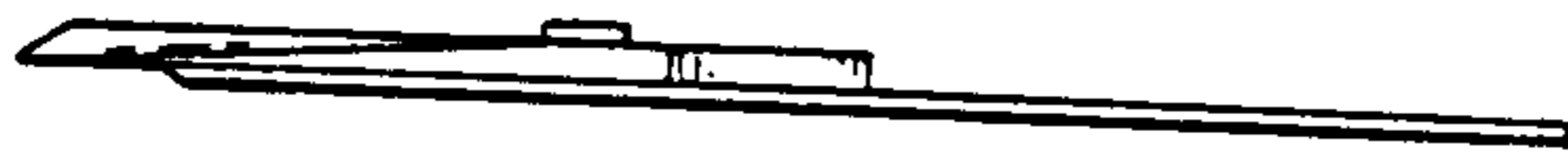


Fig. 6



Fig. 4

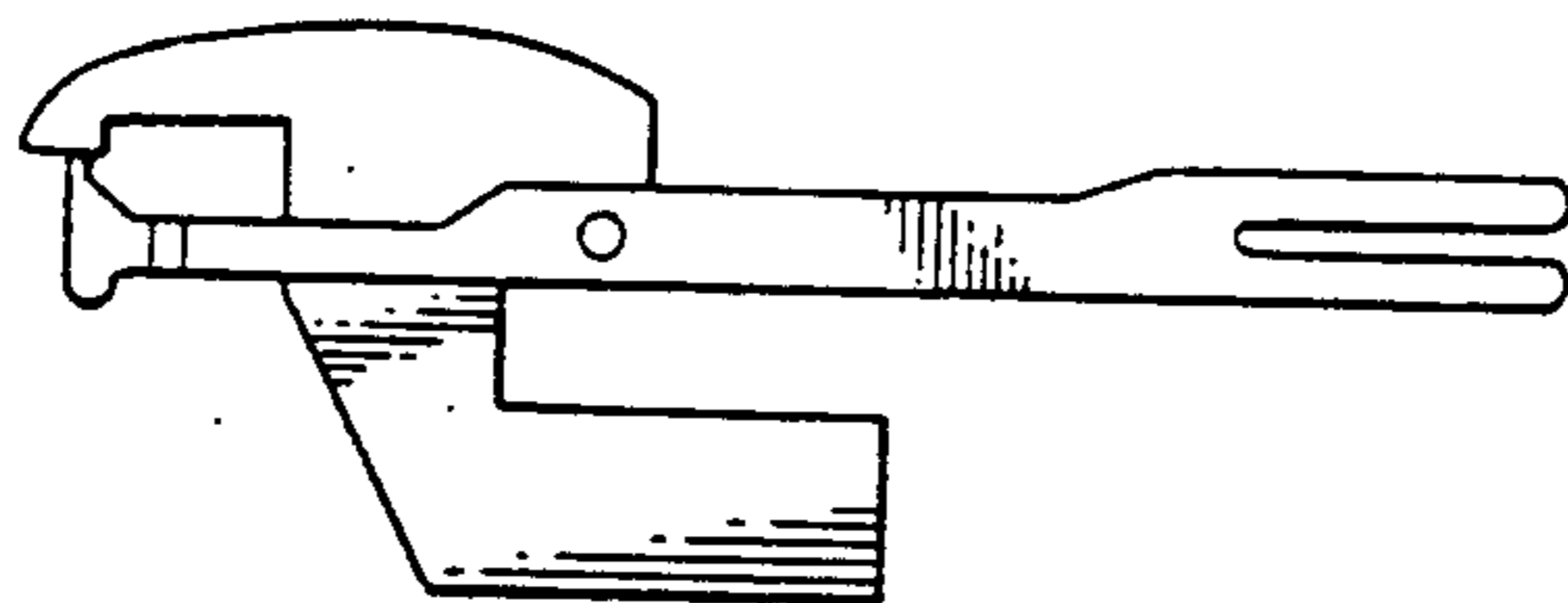


Fig. 2



Fig. 5

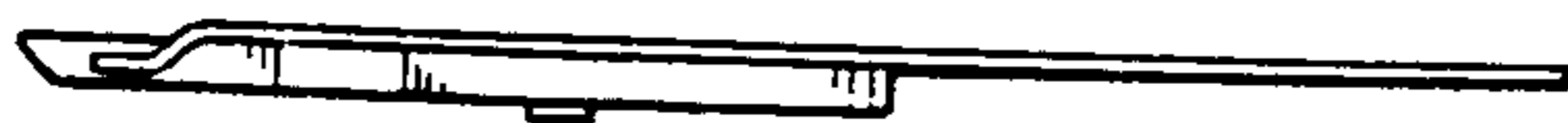


Fig. 7

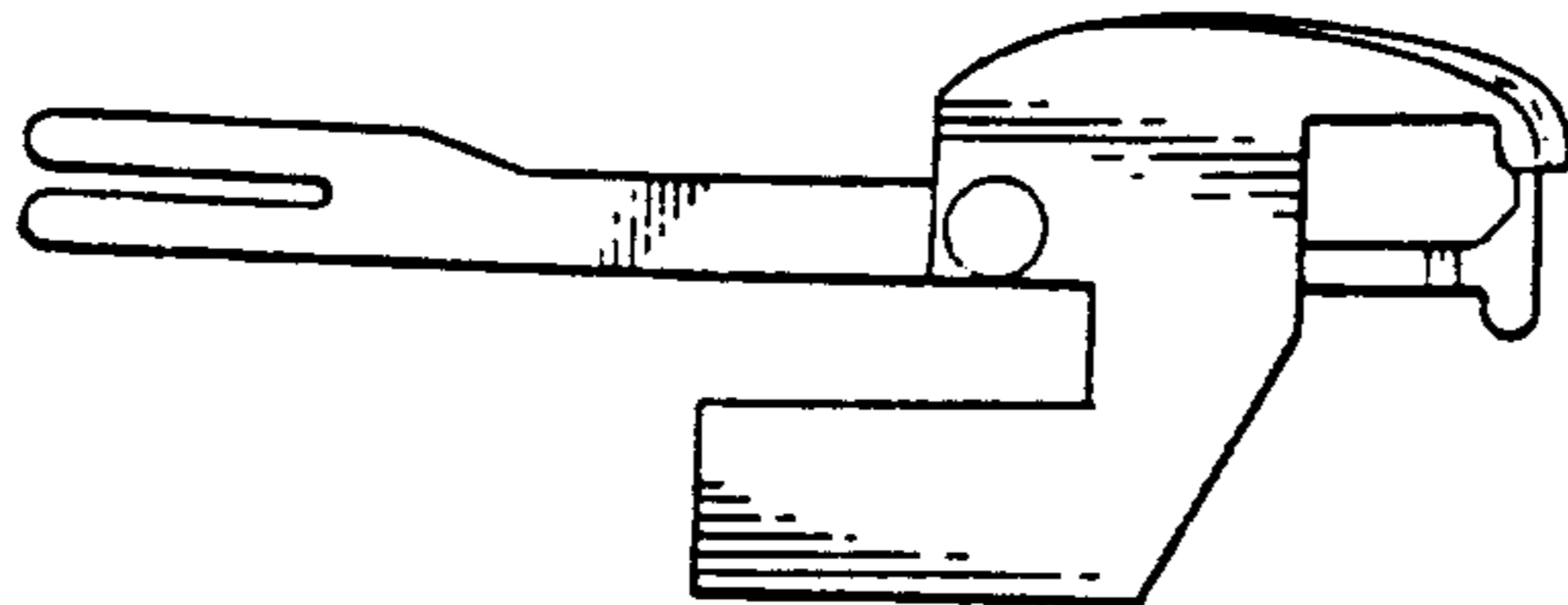


Fig. 3