

[54] ELECTRONIC COMPONENT PACKAGE

3,977,522 8/1976 Gualtherus et al. 206/330

[75] Inventor: Sho Masujima, Tokyo, Japan

OTHER PUBLICATIONS

[73] Assignee: TDK Electronics Company, Limited, Tokyo, Japan

Allied Industrial Electronics Catalog, 1964, p. 159, Series TL Capacitor.

[**] Term: 14 Years

Primary Examiner—Susan J. Lucas

[21] Appl. No.: 832,912

Attorney, Agent, or Firm—Davidson C. Miller

[22] Filed: Sep. 13, 1977

[57] CLAIM

[30] Foreign Application Priority Data

The ornamental design for electronic component package, as shown and described.

Jul. 30, 1977 [JP] Japan 52-30310

DESCRIPTION

[51] Int. Cl. D9-05; D13-99

FIG. 1 is a perspective view of an electronic component package in accordance with the present design;

[52] U.S. Cl. D9/345; D13/99

FIG. 2 is a front elevational view thereof;

[58] Field of Search D13/21; D9/171, 193,

FIG. 3 is a back elevational view thereof;

D9/184, 189, 191; 206/328, 330, 331, 332;

FIG. 4 is a top plan view thereof;

361/306

FIG. 5 is a bottom plan view thereof;

[56] References Cited

FIG. 6 is a right side elevational view thereof;

U.S. PATENT DOCUMENTS

FIG. 7 is a left side elevational view thereof; and

2,495,734 1/1950 Katzman et al. 206/330 X

FIG. 8 is a cross-sectional view of the electronic component package taken along line 8-8 of FIG. 2.

2,757,792 8/1956 Shiolen 206/330

The package is understood to have an indeterminate length.

3,797,655 3/1974 Boone et al. 206/330

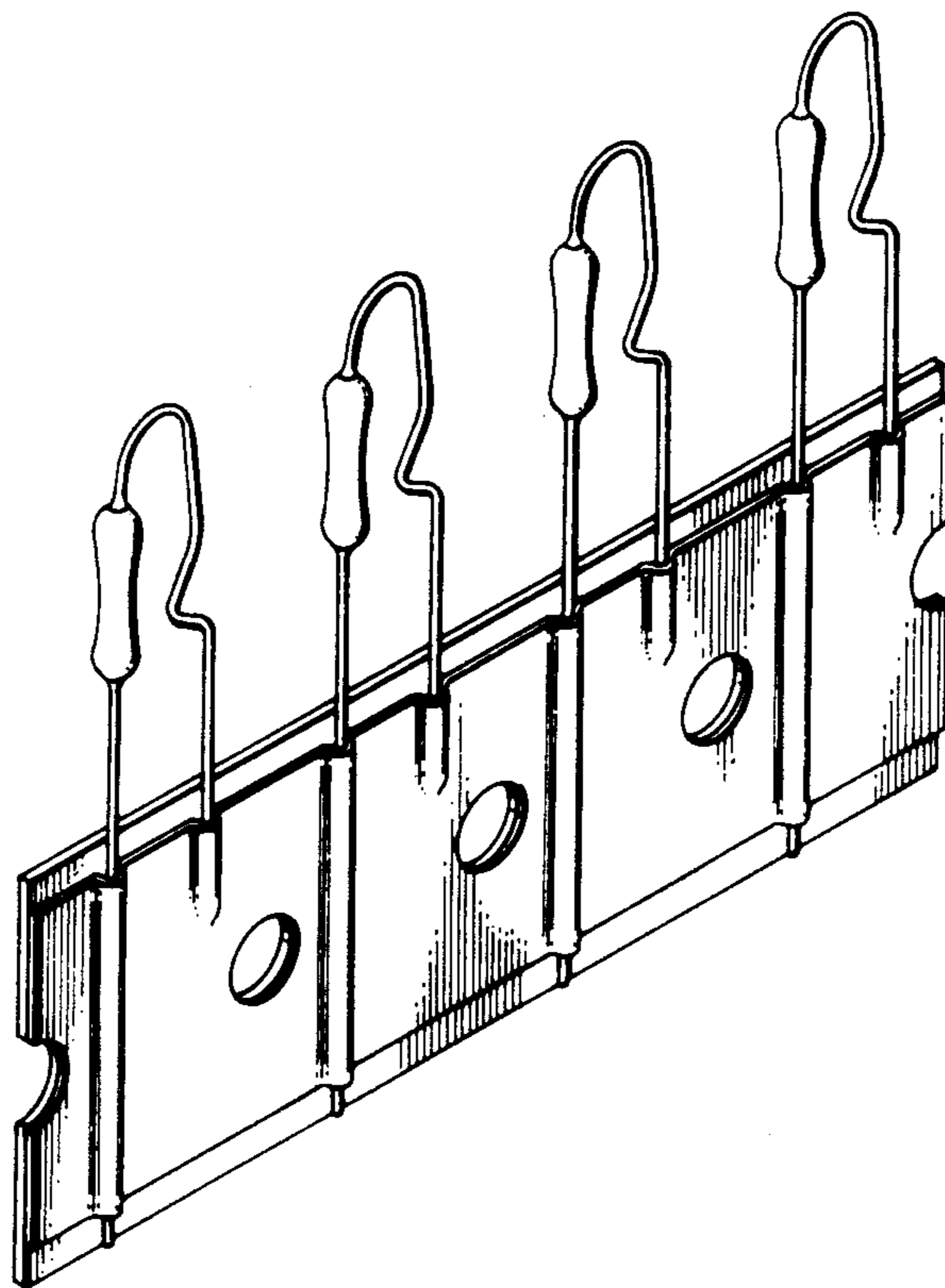


FIG. 1

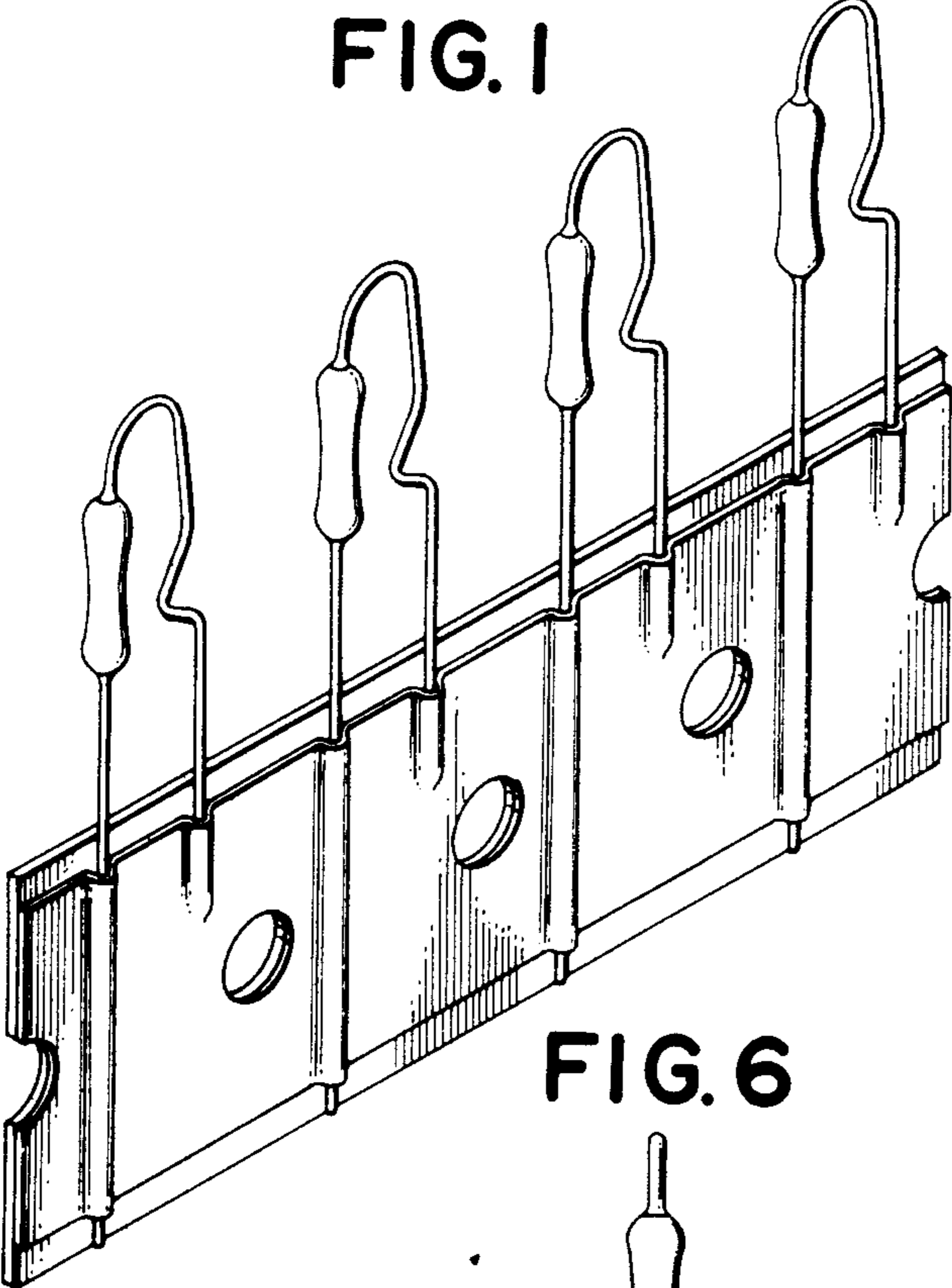


FIG. 6



FIG. 7



FIG. 8



FIG. 2

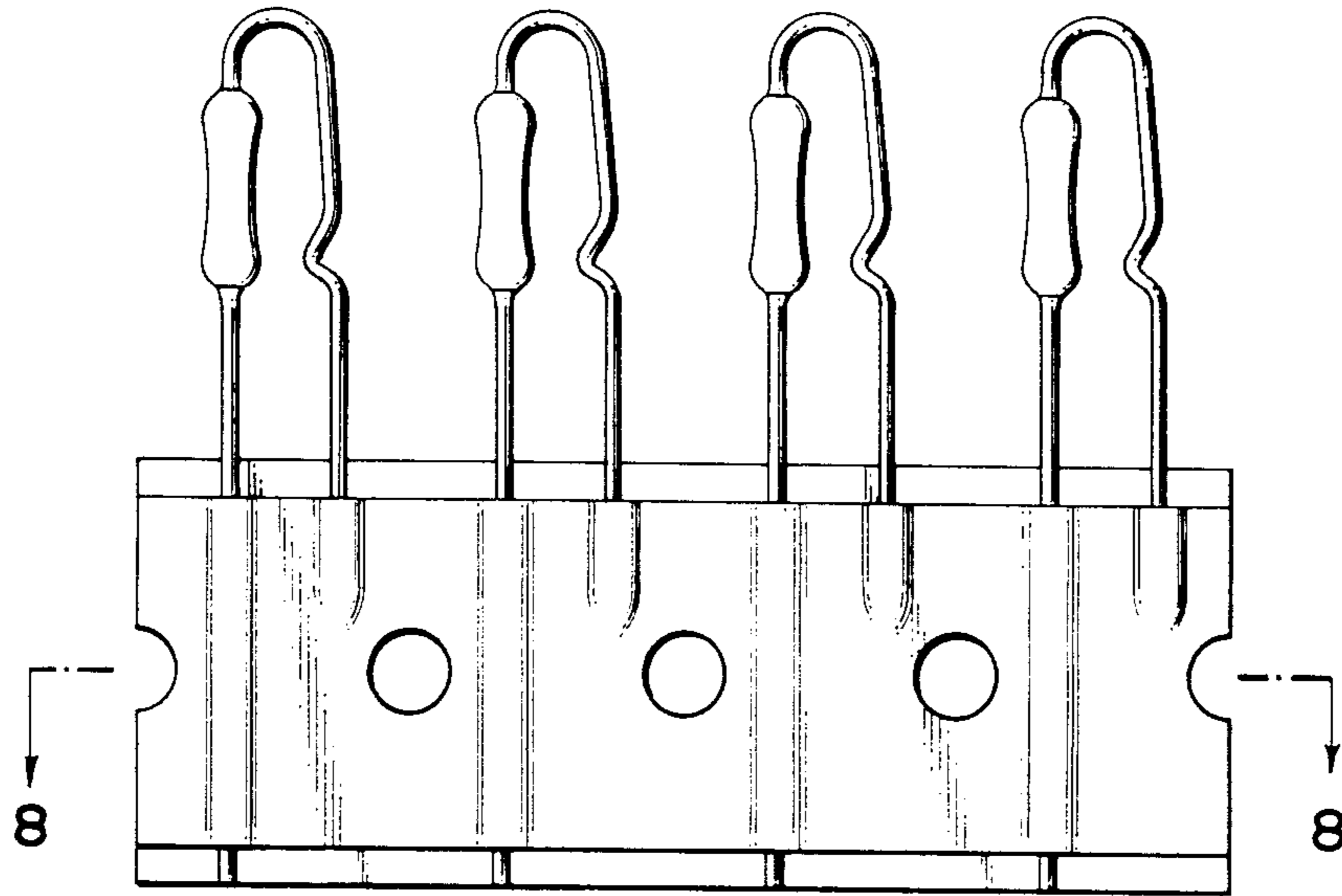


FIG. 3

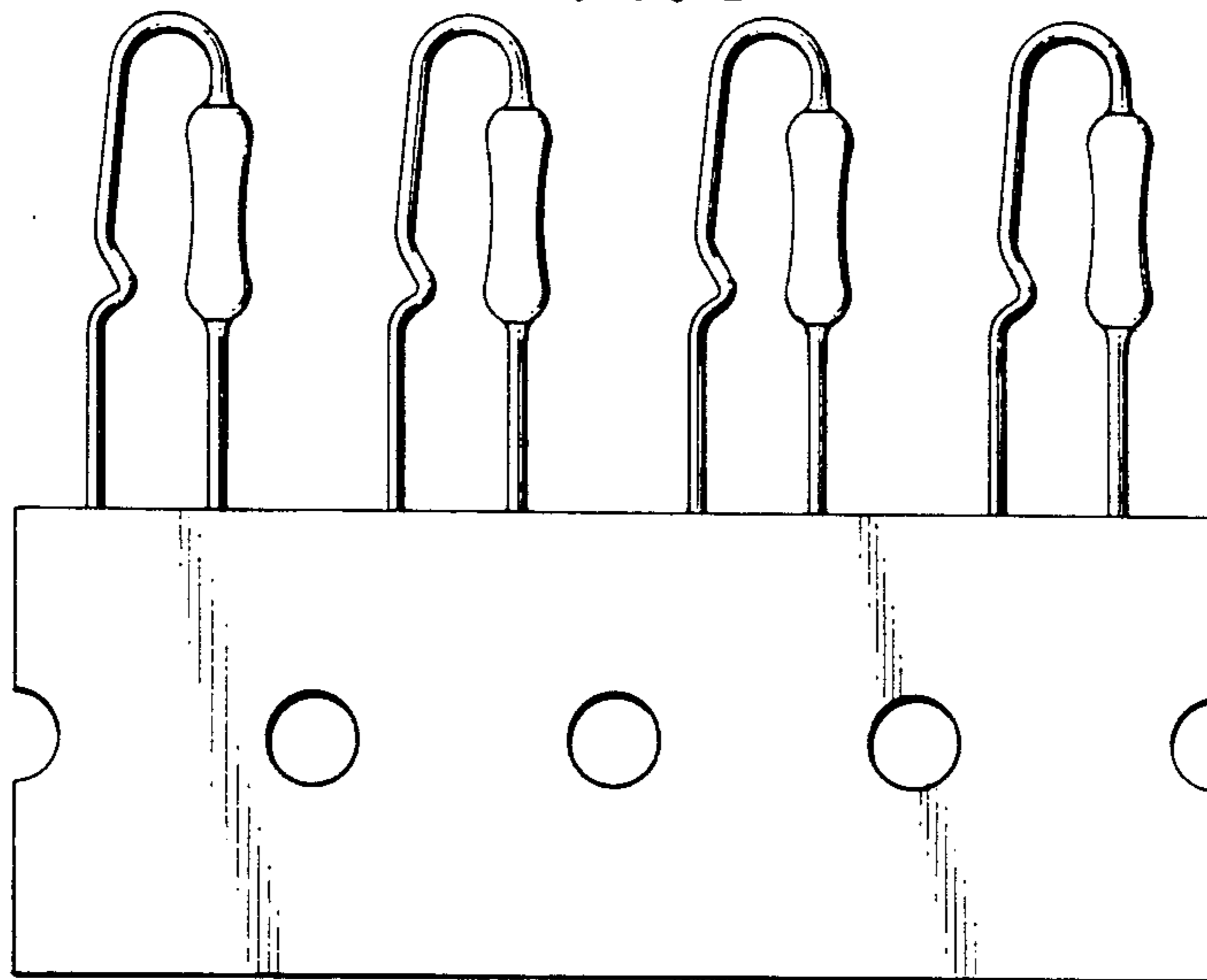


FIG. 4

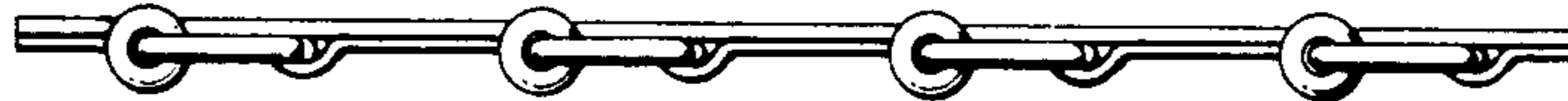


FIG. 5

