

[54] COMBINED HANDLE AND PUSH-BUTTON HOUSING FOR ELECTRICALLY ENCODED PUSH-BUTTON LOCK

[75] Inventor: Karl H. Heuser, Ruppichteroth-Winterscheid, Fed. Rep. of Germany

[73] Assignee: Huwil-Werke GmbH, Ruppichteroth, Fed. Rep. of Germany

[**] Term: 14 Years

[21] Appl. No.: 911,356

[22] Filed: Jun. 1, 1978

[30] Foreign Application Priority Data

Dec. 8, 1977 [DE] Fed. Rep. of Germany 277

[51] Int. Cl. D8-07

[52] U.S. Cl. D8/331

[58] Field of Search D8/331, 301, 313; 70/214, 220, 278, 224; 16/124

[56] References Cited

U.S. PATENT DOCUMENTS

D. 218,672	9/1970	Laufer	D8/313
D. 230,132	1/1974	Pastva, Jr.	D8/313
2,793,386	5/1957	Muhlhauser	D8/313

OTHER PUBLICATIONS

Home Furnishings Daily, 4/16/63, p. 22, Push Button Lock.

Primary Examiner—James M. Gandy
Attorney, Agent, or Firm—Robert D. Flynn

[57] CLAIM

The ornamental design for a combined handle and push-button housing for an electrically encoded push-button lock, as shown and described.

DESCRIPTION

FIG. 1 is an isometric view of a combined handle and push-button housing for electrically encoded push-button lock showing my new design it being understood that the broken lines are for illustrative purposes only to indicate a possible environment therefor;

FIG. 2 is an enlarged front elevational view thereof;

FIG. 3 is a front elevational view of FIG. 2 with an auxiliary power connection cover removed;

FIG. 4 is a cross sectional view thereof taken along line 4-4 in FIG. 2;

FIG. 5 is a cross sectional view thereof taken along line 5-5 in FIG. 2;

FIG. 6 is a top plan view of FIG. 2;

FIG. 7 is a bottom plan view of FIG. 2;

FIG. 8 is a rear elevational view of FIG. 2;

FIG. 9 is a right side elevational view of FIG. 2;

FIG. 10 is a left side elevational view of FIG. 2;

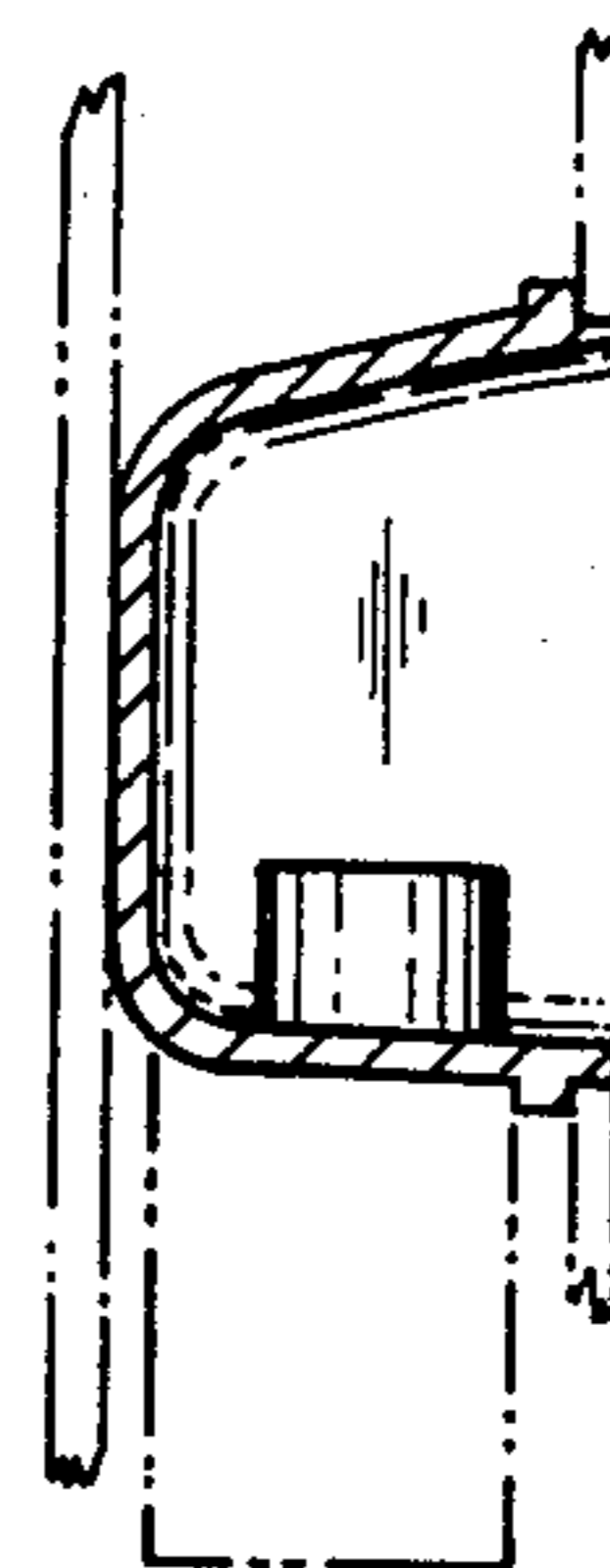
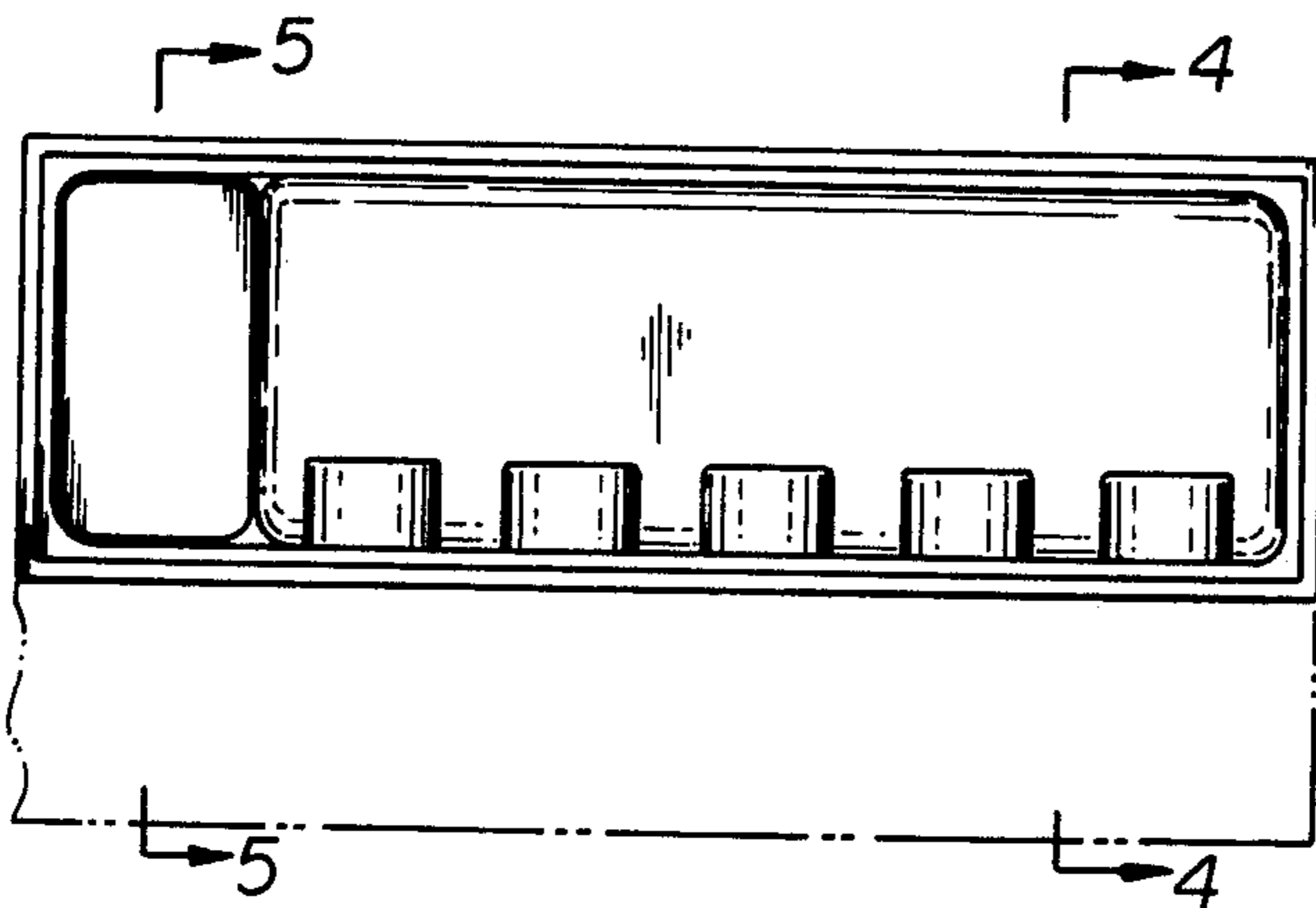
FIG. 11 is an enlarged isometric view of the auxiliary power connection cover;

FIG. 12 is a rear elevational view of FIG. 11;

FIG. 13 is a bottom plan view of FIG. 11;

FIG. 14 is a right side elevational view of FIG. 11; and

FIG. 15 is a top plan view of FIG. 11.



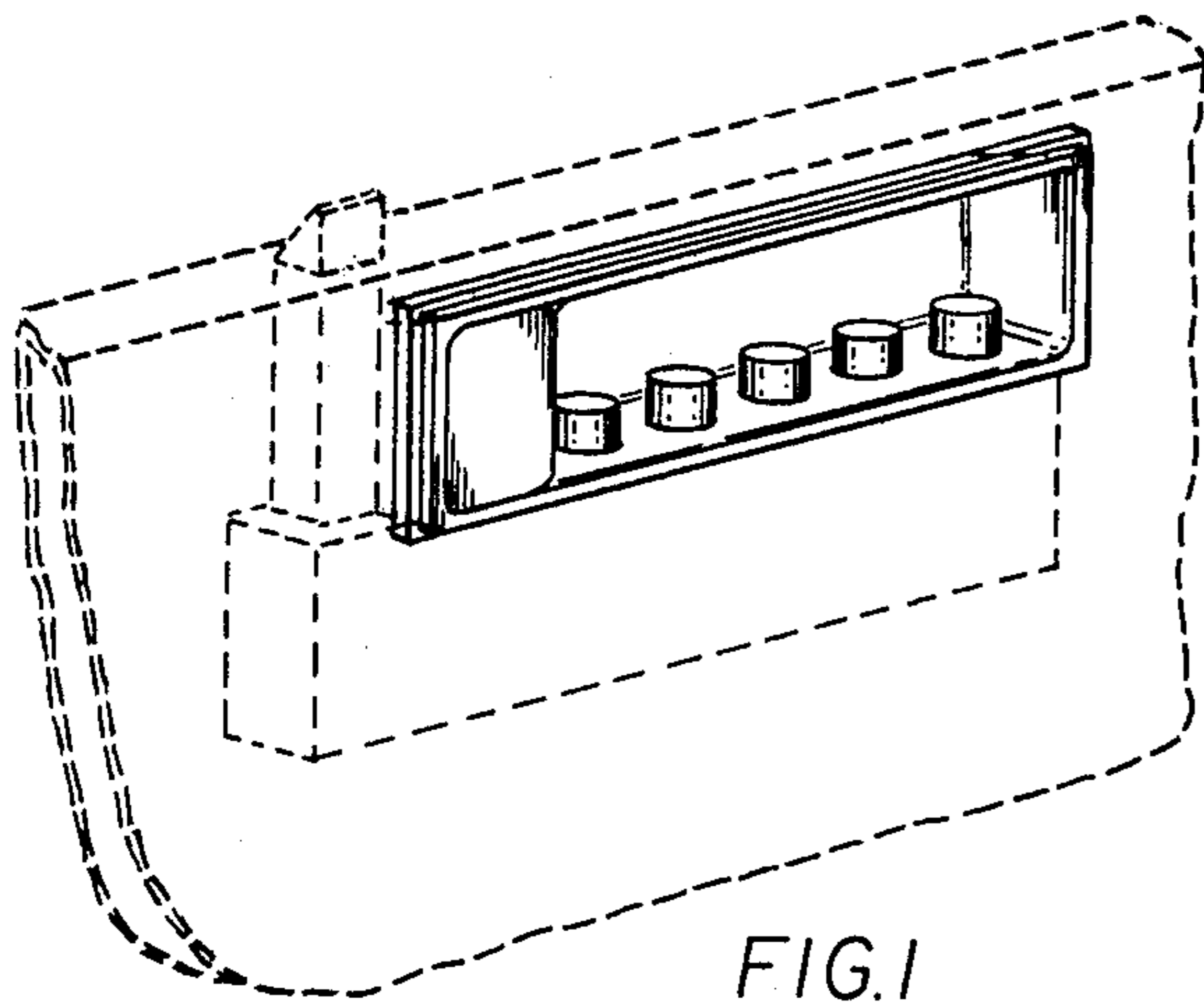


FIG. 1

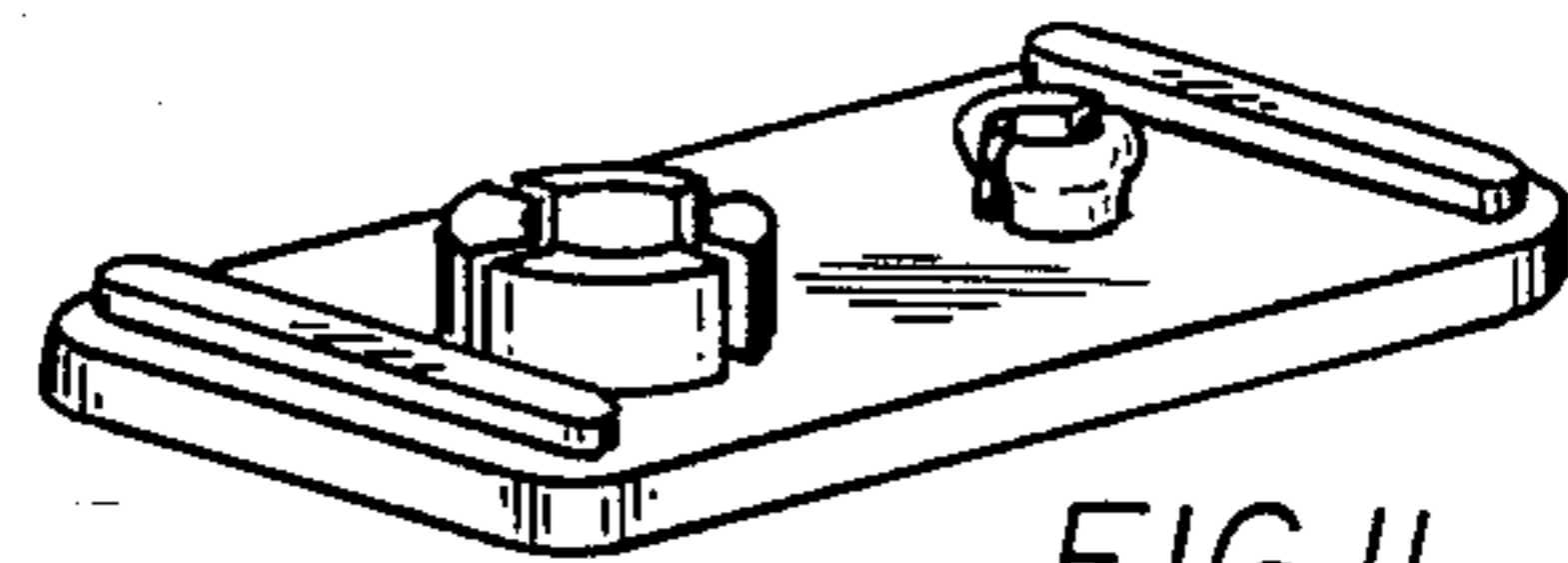


FIG. 11

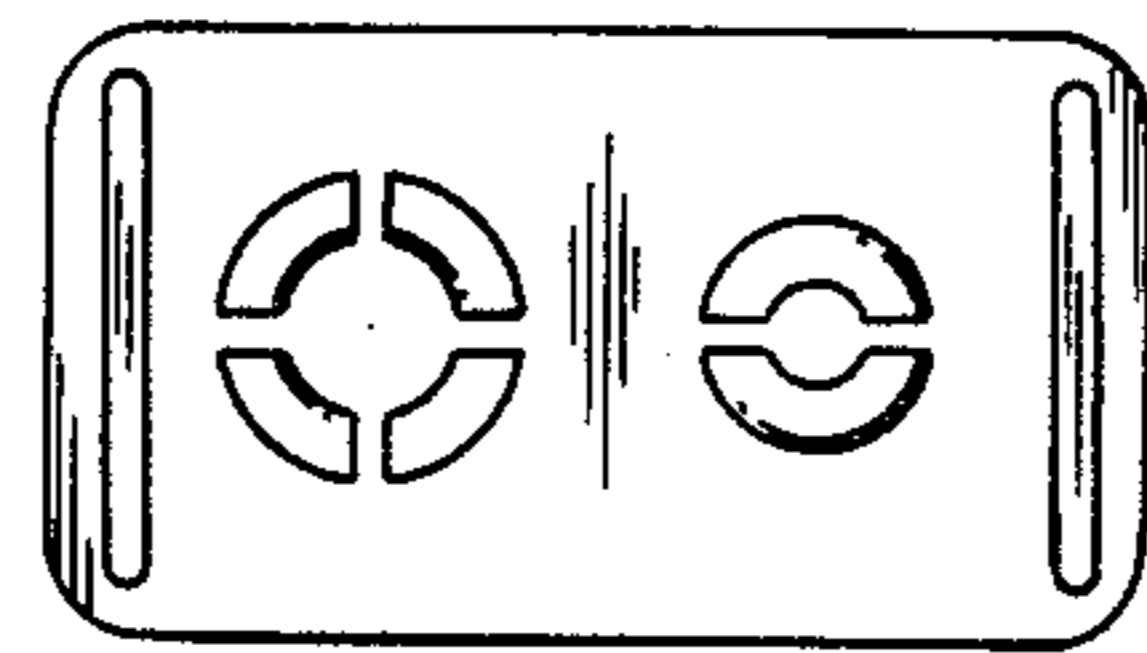


FIG. 12

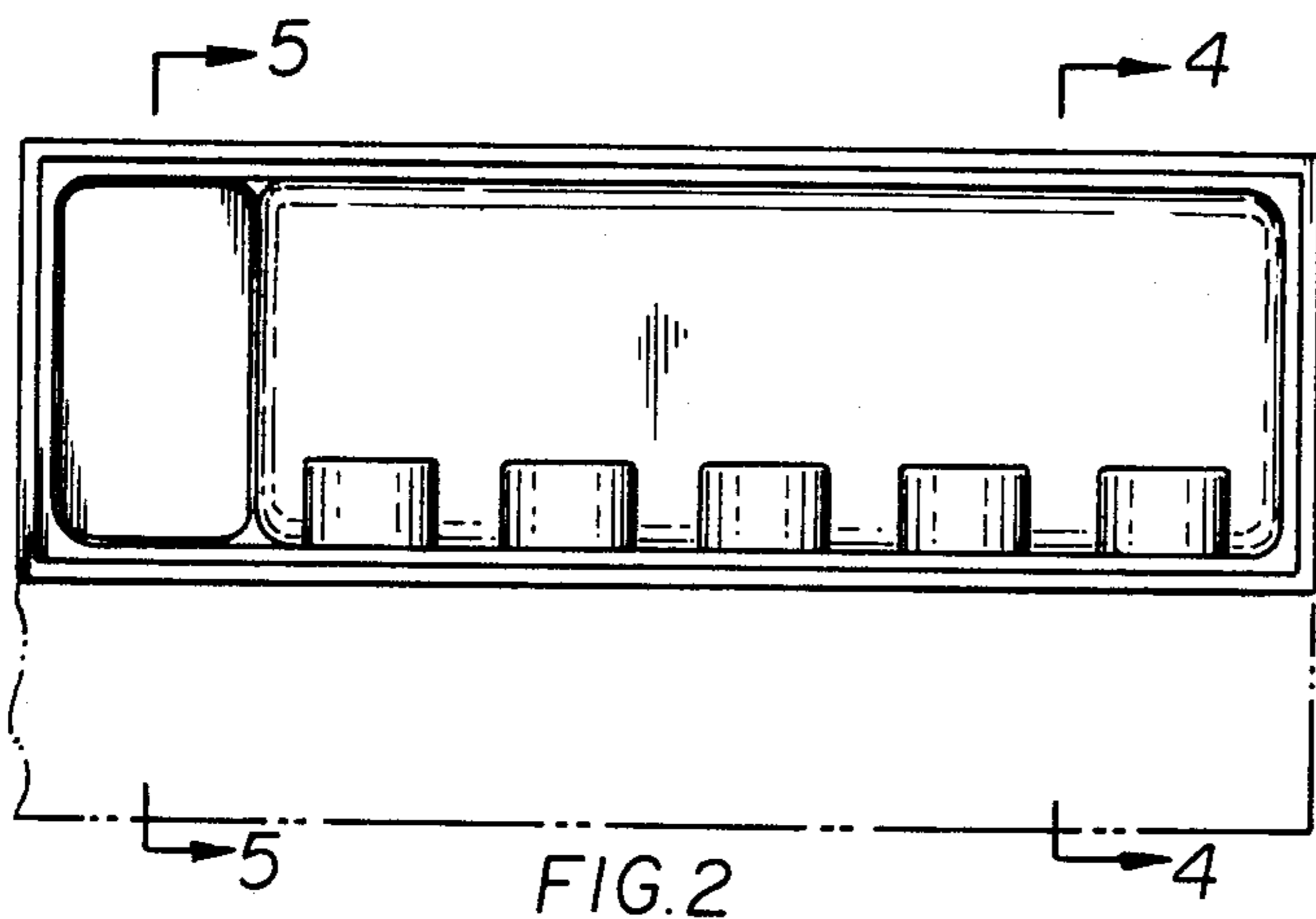


FIG. 2

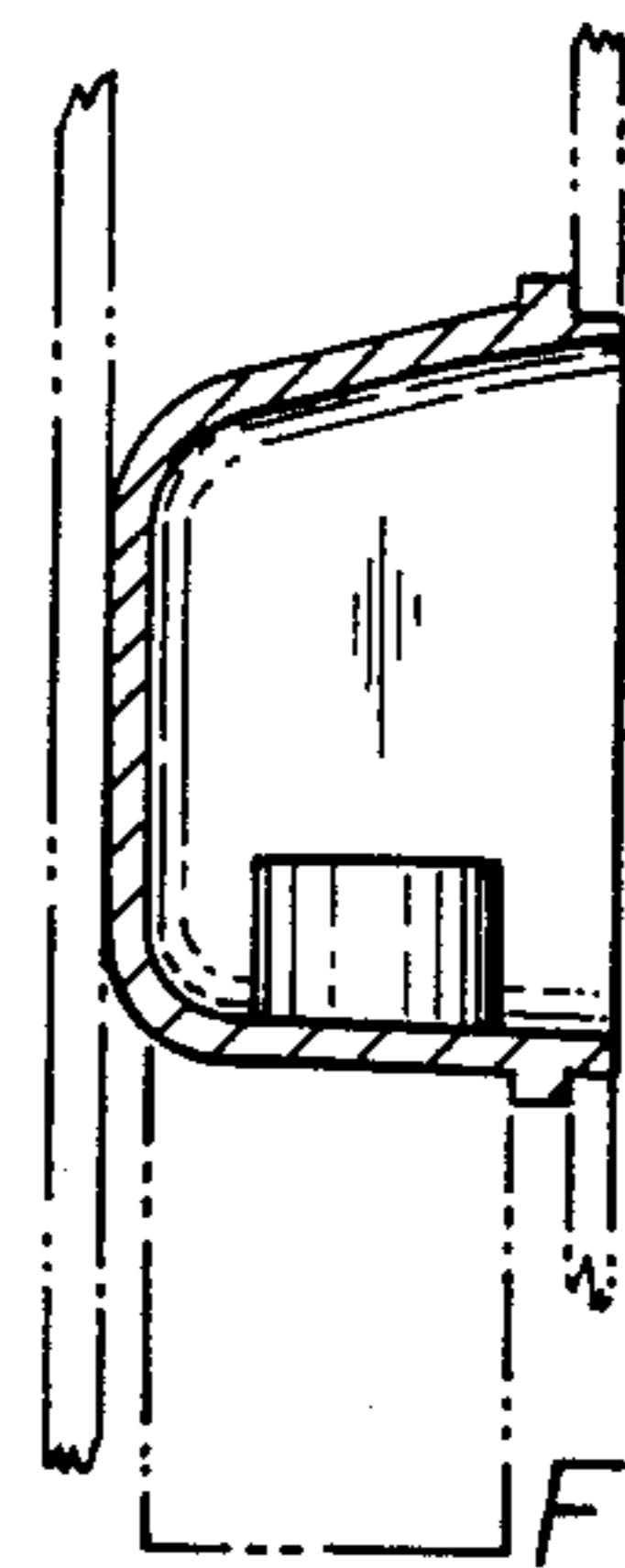


FIG. 4

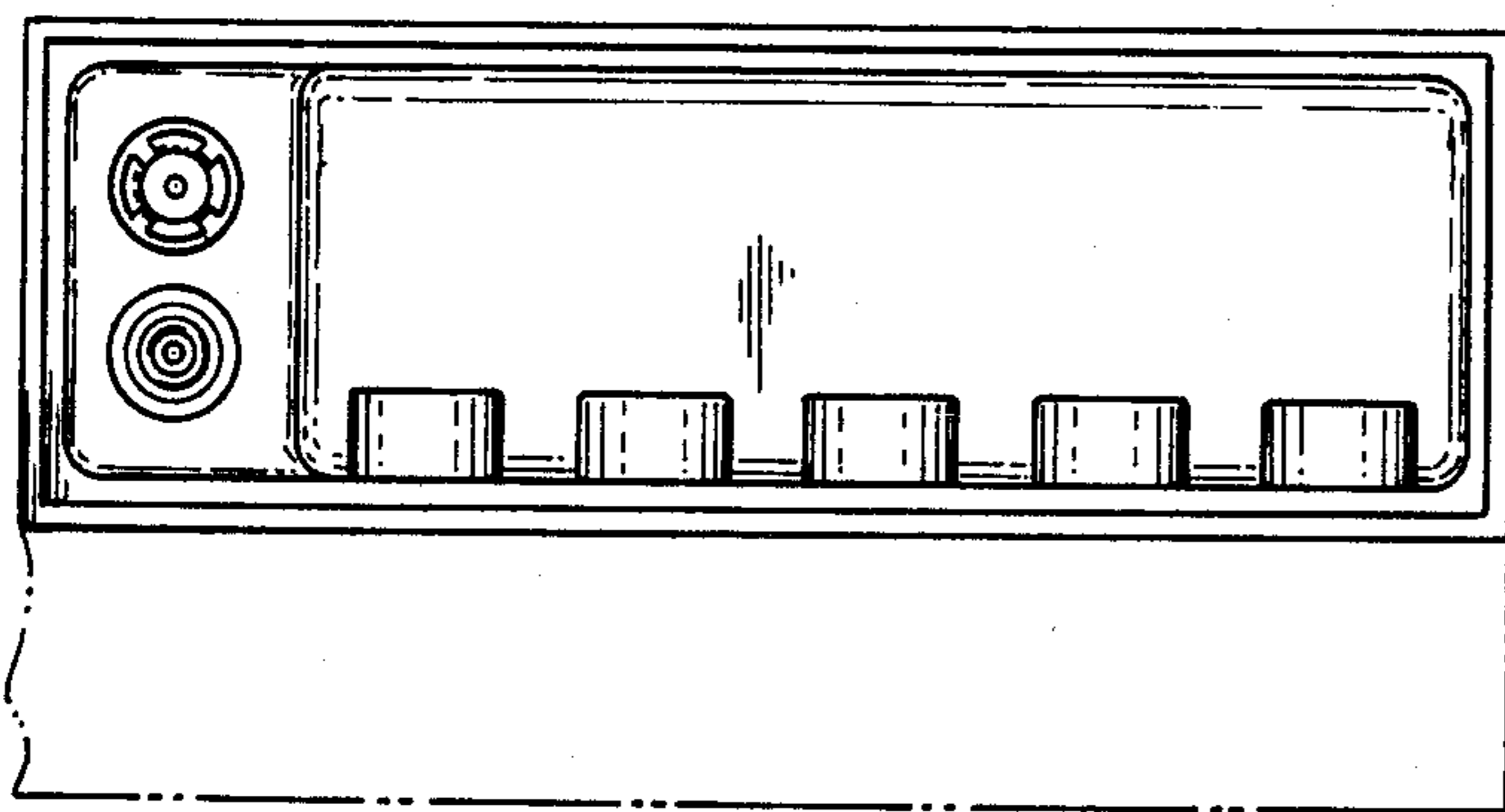


FIG. 3

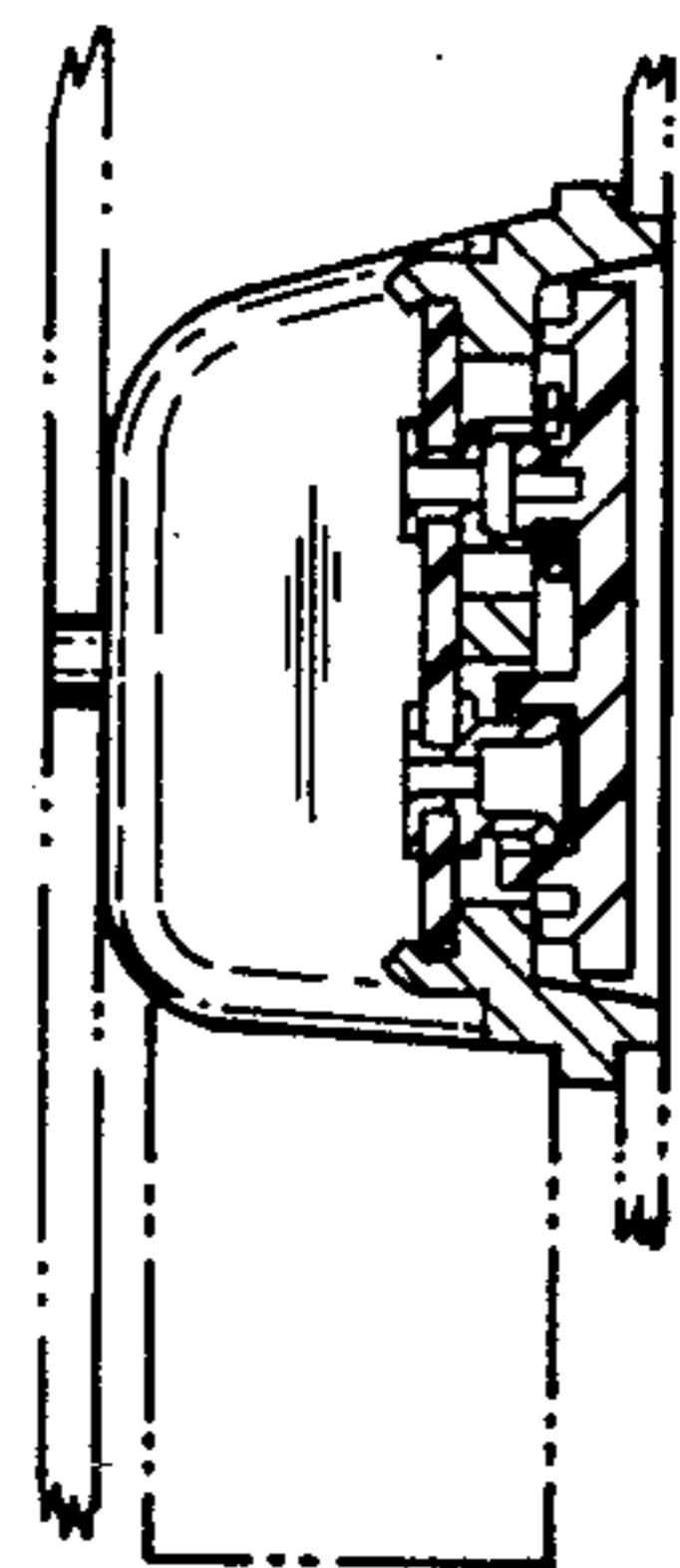


FIG. 5



FIG. 13



FIG. 14



FIG. 15

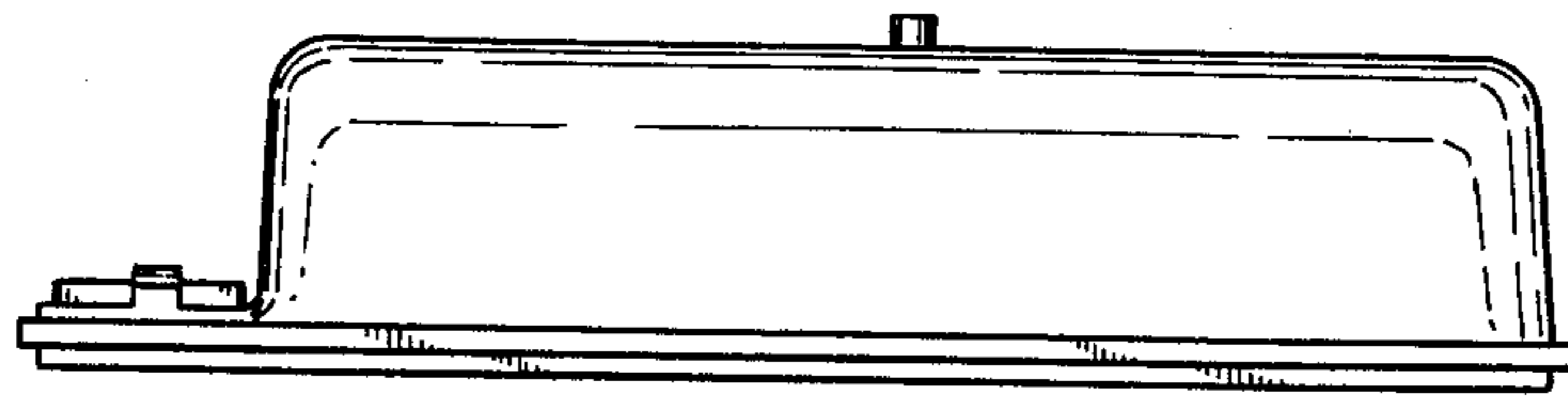


FIG. 6

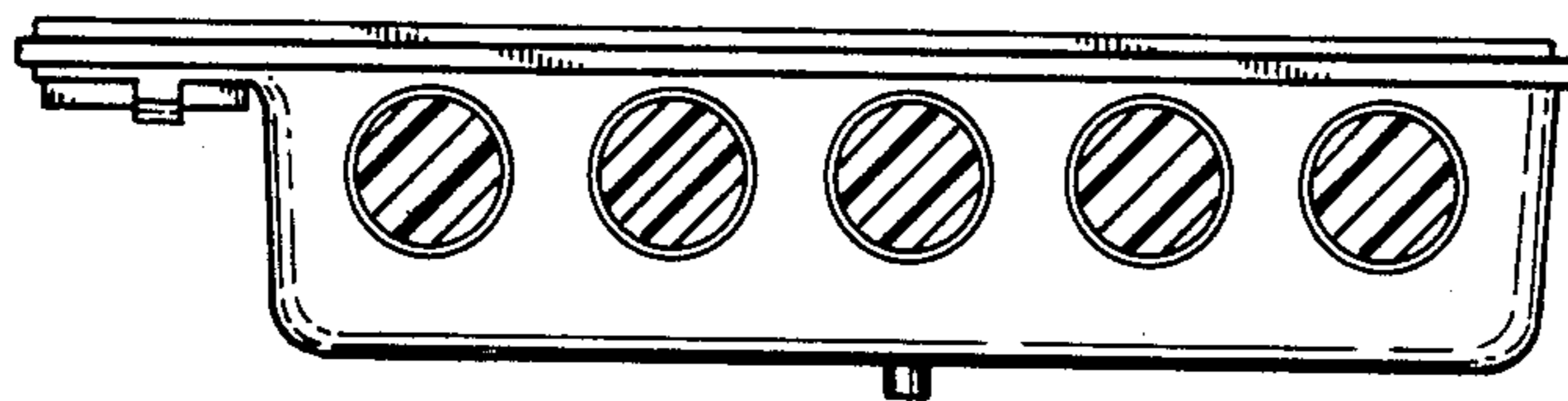


FIG. 7

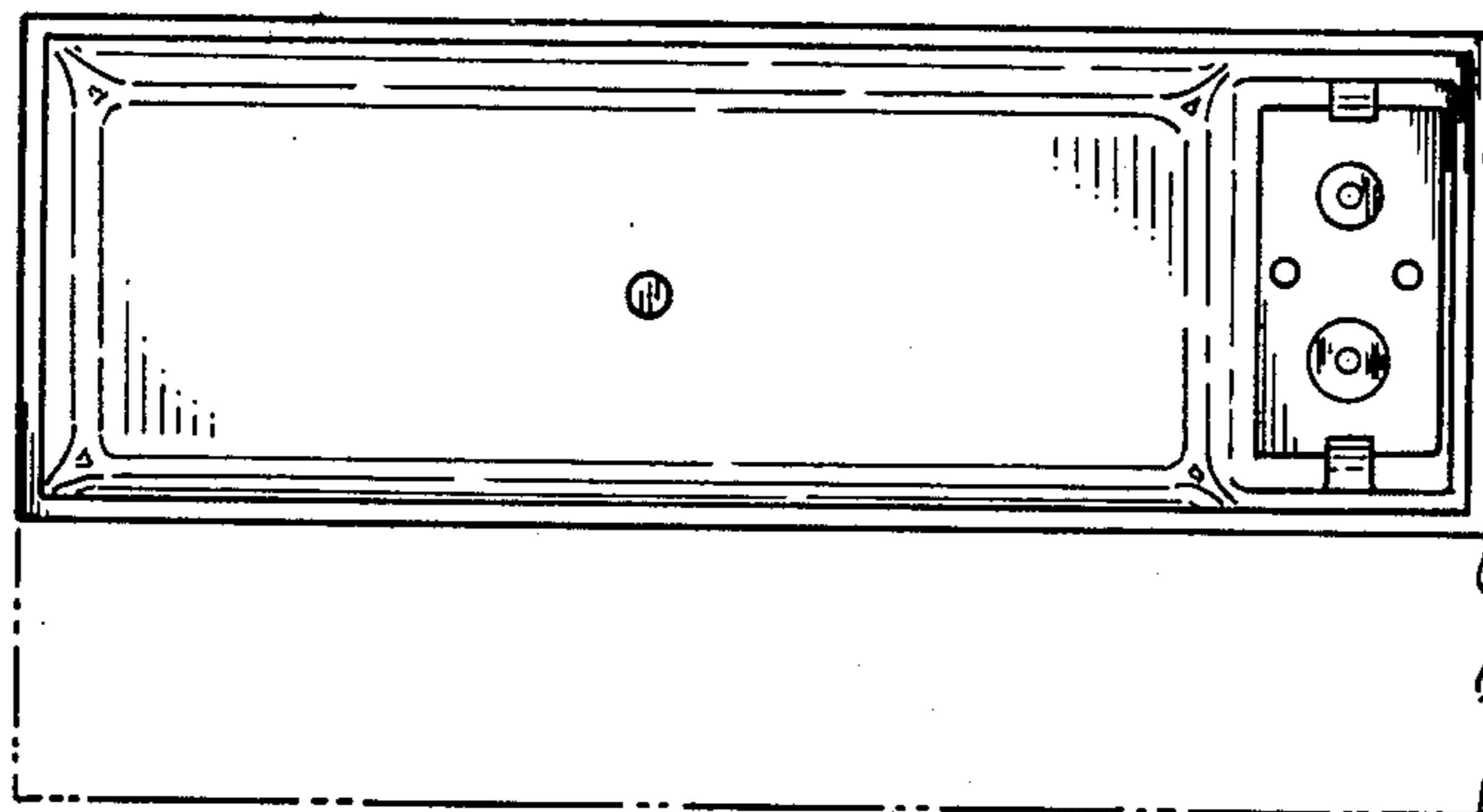


FIG. 8

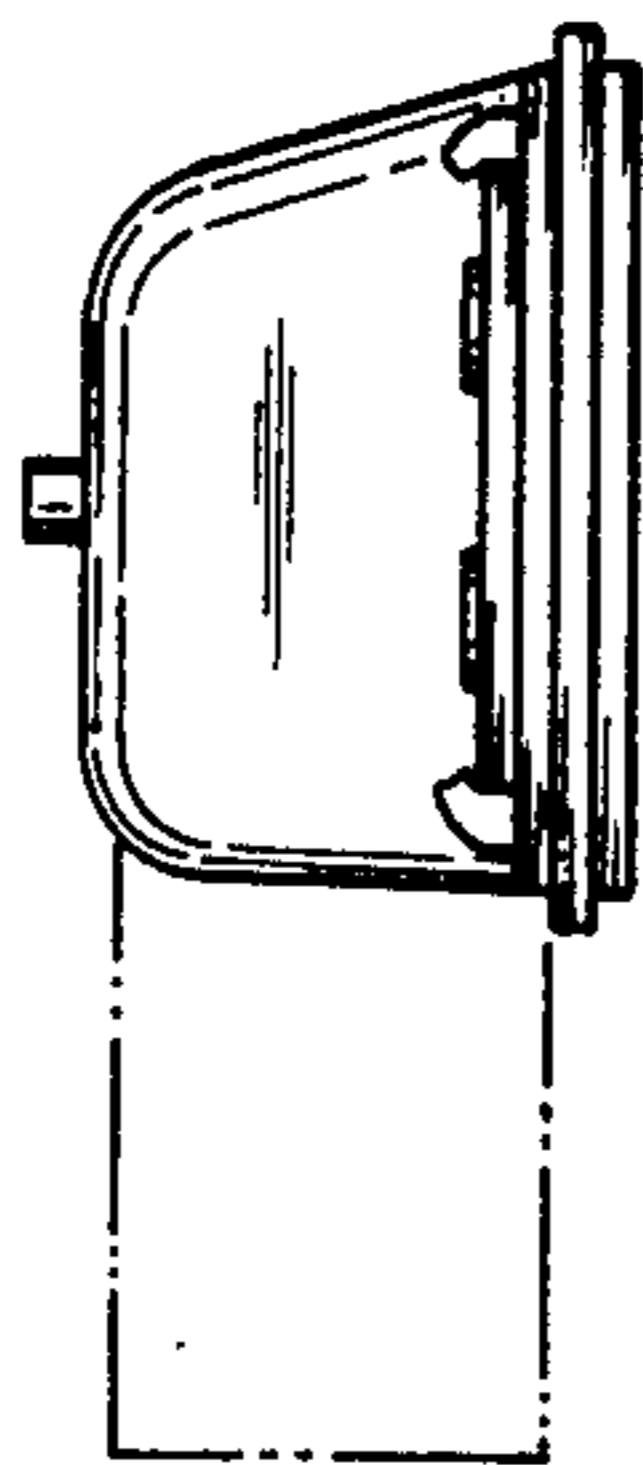


FIG. 9

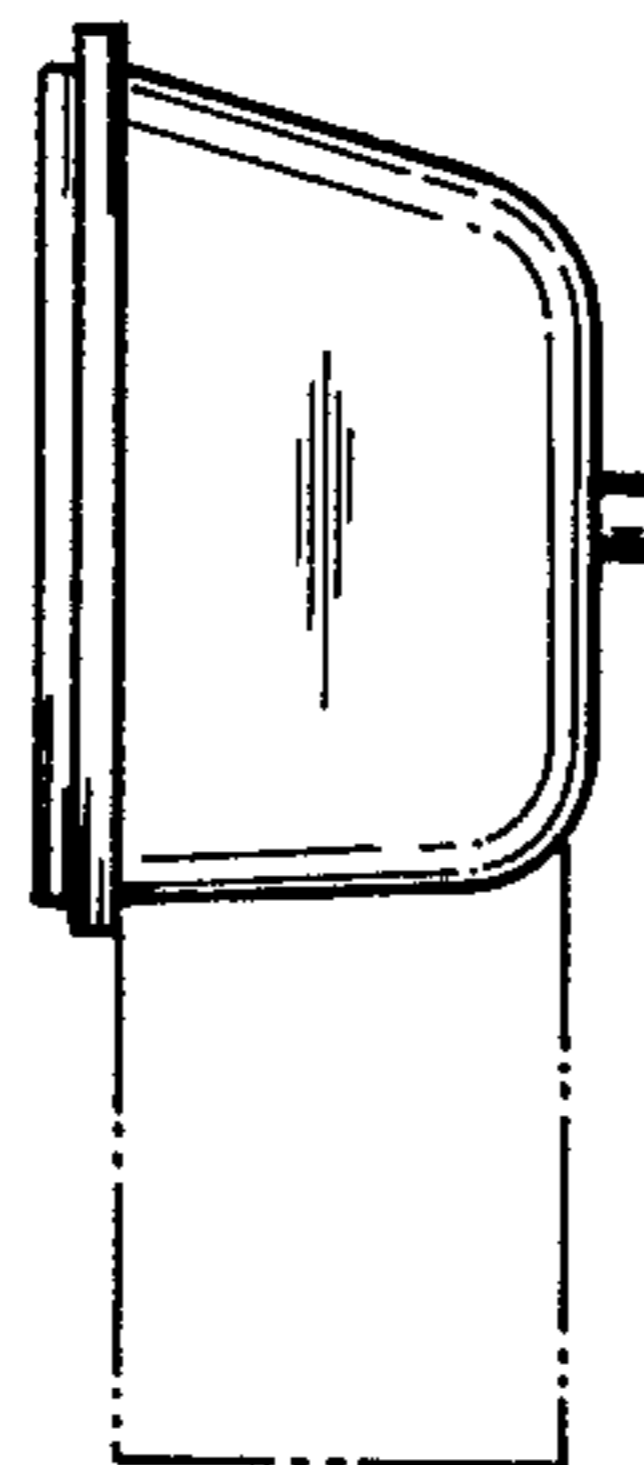


FIG. 10