

[54] CASSEROLE FOR A MICROWAVE OVEN

[76] Inventor: **Irving S. Korach**, 17135 Gunther St., Granada Hills, Calif. 91344

[**] Term: **14 Years**

[21] Appl. No.: **877,412**

[22] Filed: **Feb. 13, 1978**

[51] Int. Cl. **D07-01**

[52] U.S. Cl. **D7/17; D7/22**

[58] Field of Search **D7/1, 3, 22, 28, 23, D7/29, 30, 33, 36, 85, 90, 94, 96, 97, 16, 17, 18, 19, 20**

[56] **References Cited**

U.S. PATENT DOCUMENTS

D. 8,165	2/1875	Lowry	D7/28
D. 94,205	1/1935	Guild	D7/28
D. 94,213	1/1935	Guild	D7/17
D. 167,292	7/1952	Wagner	D7/18
D. 188,615	8/1960	Bergeron	D7/90
3,941,967	3/1976	Sumi et al.	D7/85 X

FOREIGN PATENT DOCUMENTS

1256971 2/1961 France D7/3 X

OTHER PUBLICATIONS

Gift & Tableware Reporter, Feb., 1974, p. 45, Double Bowls by Royal Krona, r. col., 2nd panel down.

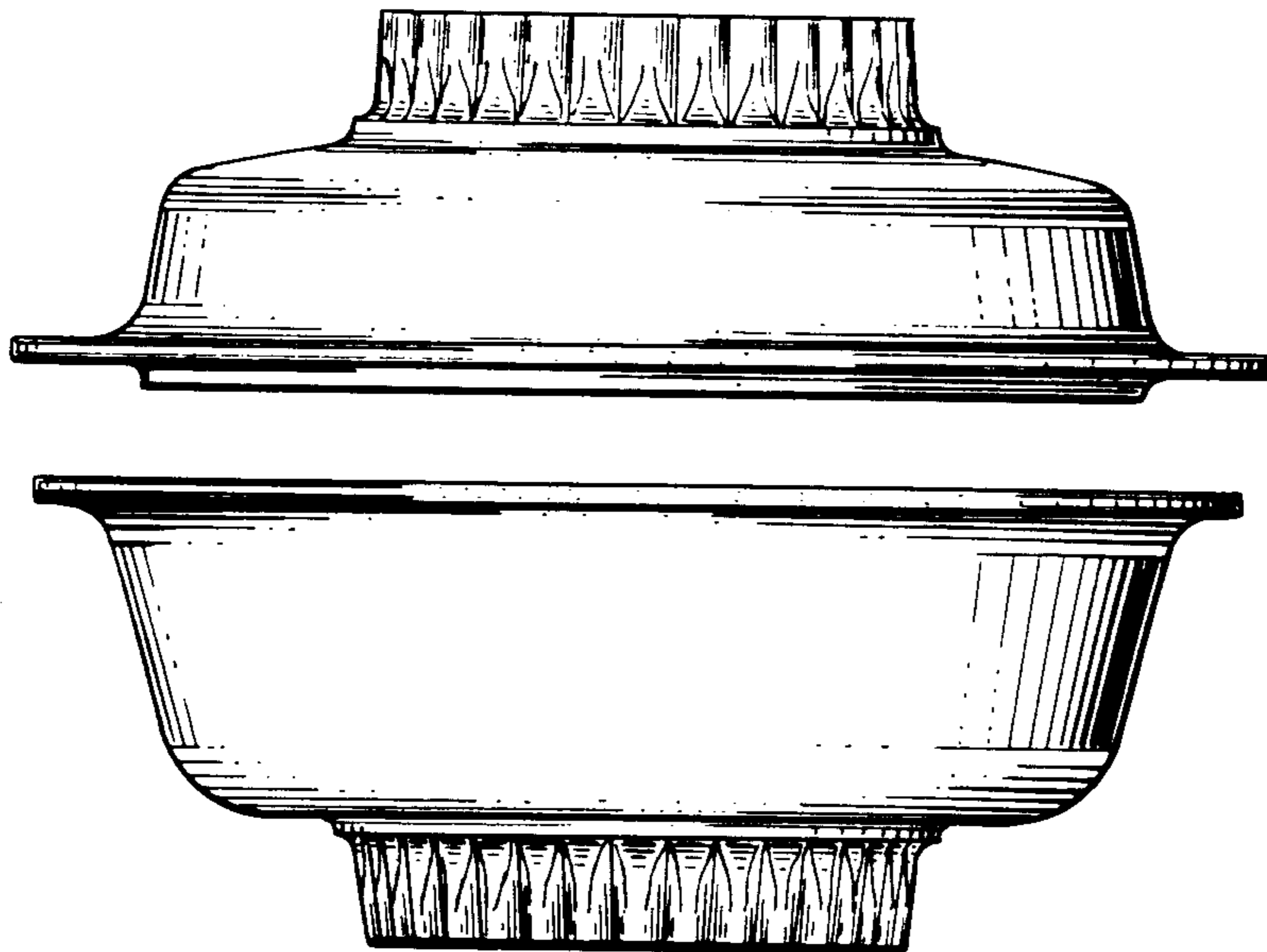
Primary Examiner—Winifred E. Herrmann
Attorney, Agent, or Firm—Allan M. Shapiro

[57] **CLAIM**

The ornamental design for a casserole for a microwave oven, substantially as shown.

DESCRIPTION

FIG. 1 is an exploded side elevational view of a casserole for a microwave oven, showing my new design; FIG. 2 is an exploded view thereof as seen along a central vertical section through FIG. 1; FIG. 3 is a top plan view thereof; FIG. 4 is a bottom plan view thereof; and FIG. 5 is an enlarged fragmentary perspective view of the fluted central portion.



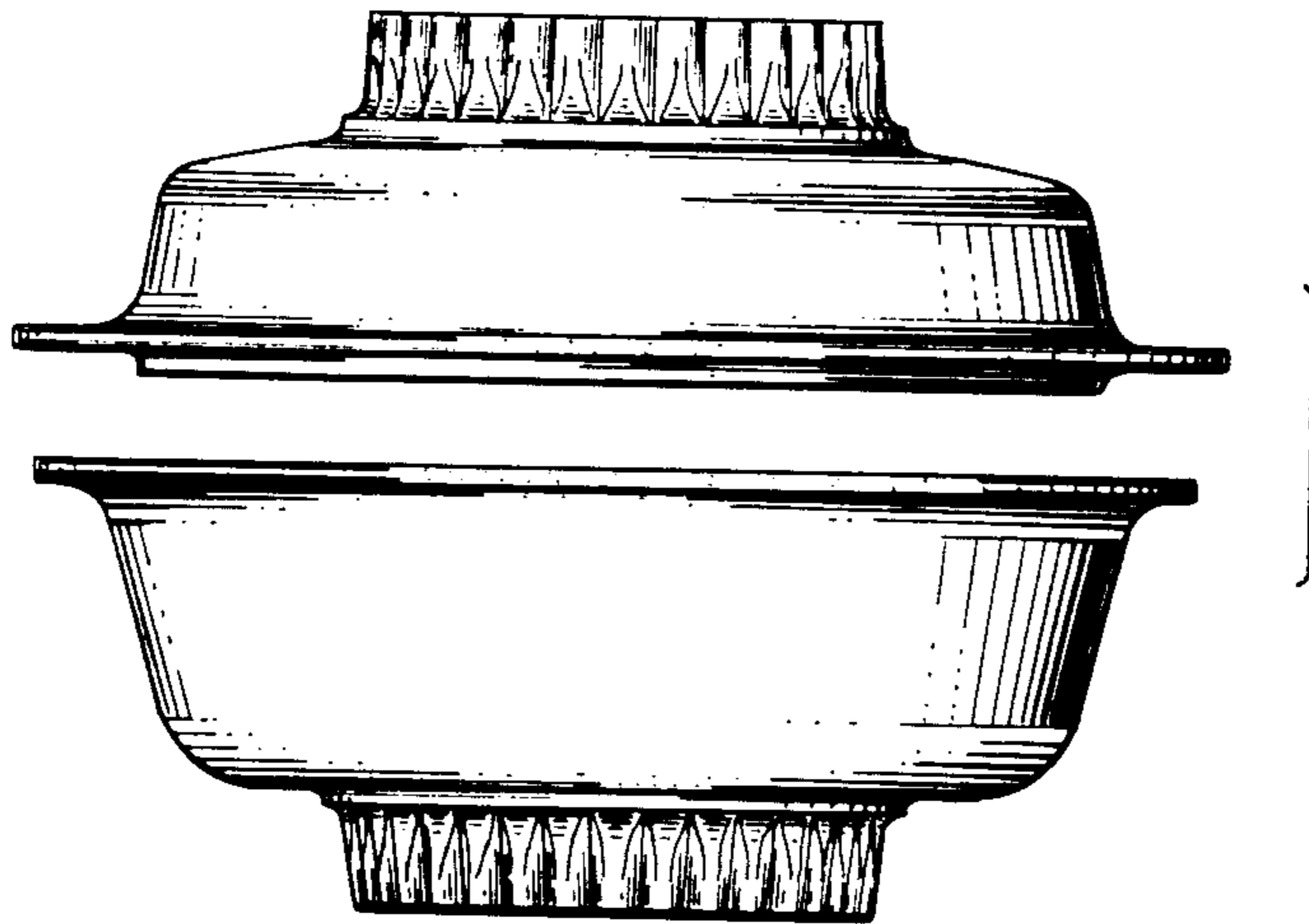
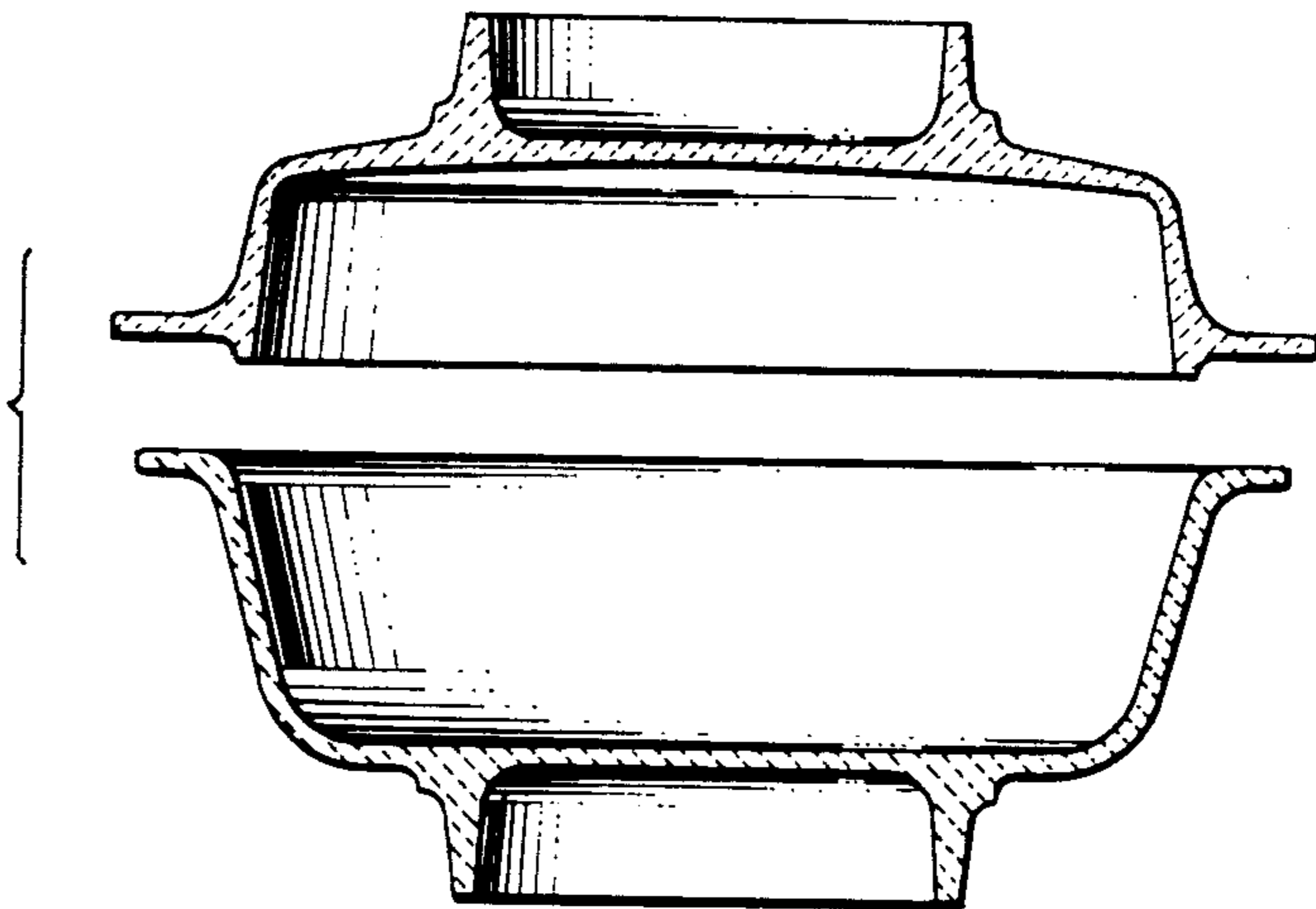


FIG. 1

FIG. 2



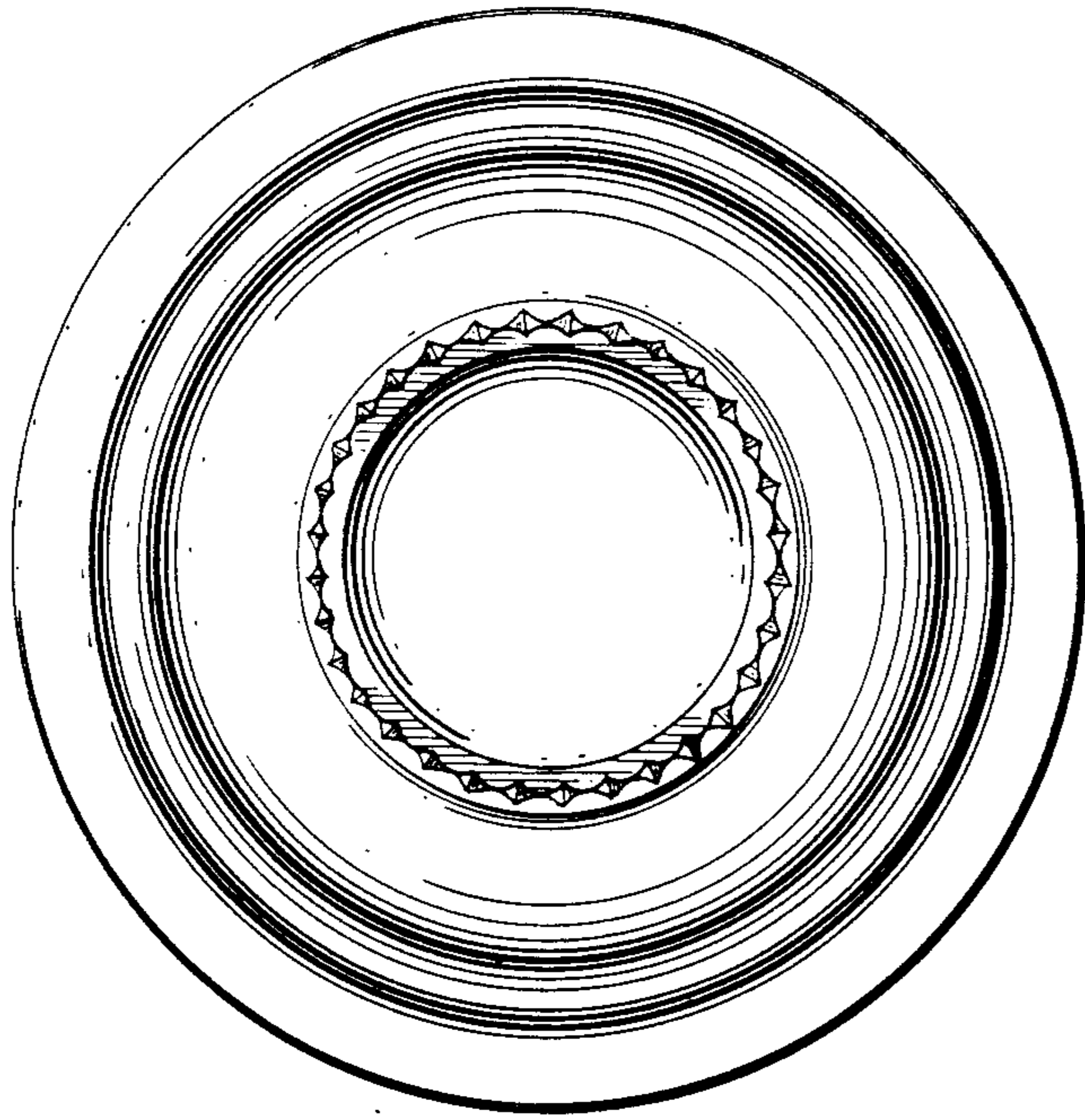


FIG. 3

FIG. 4

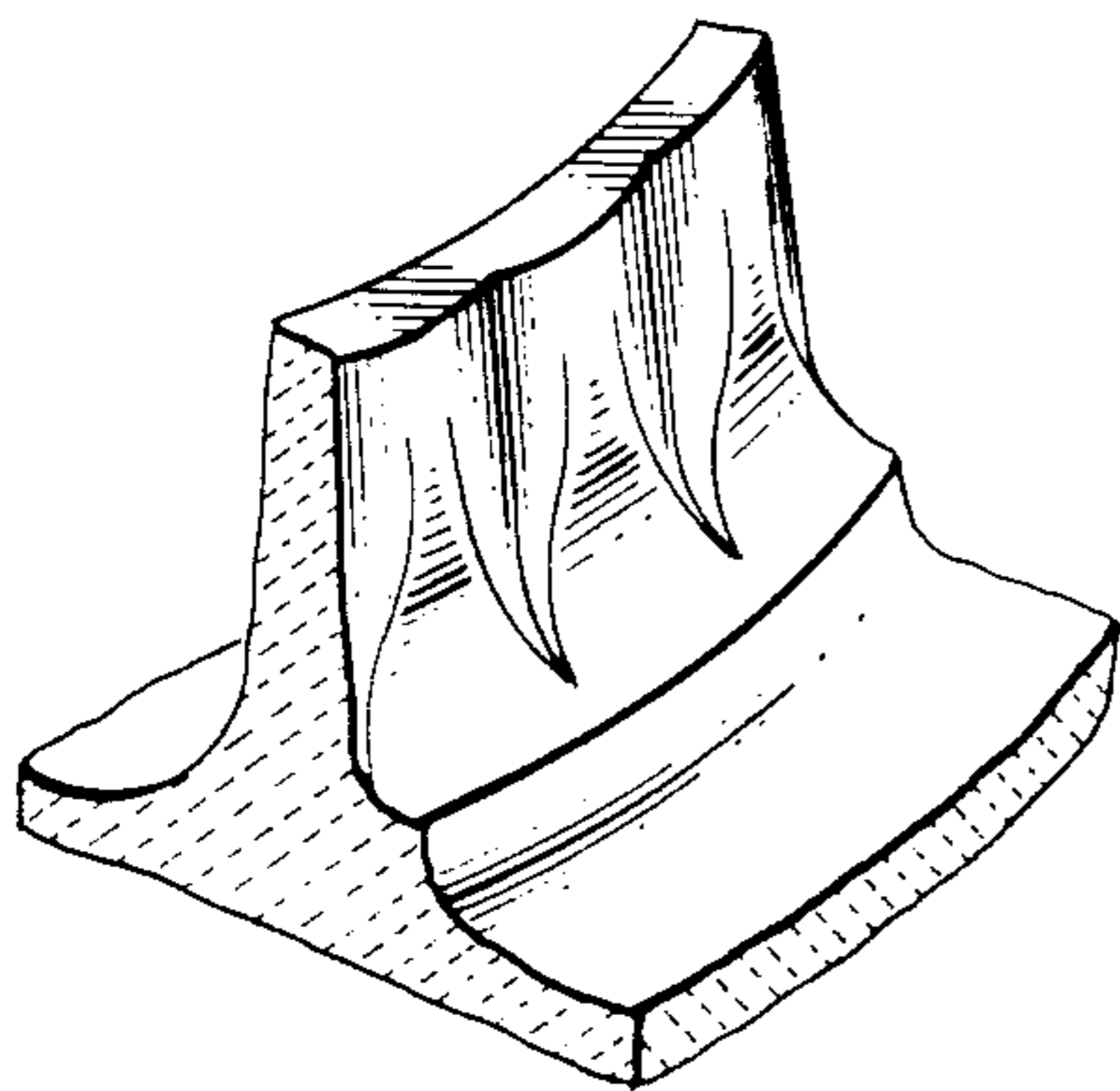
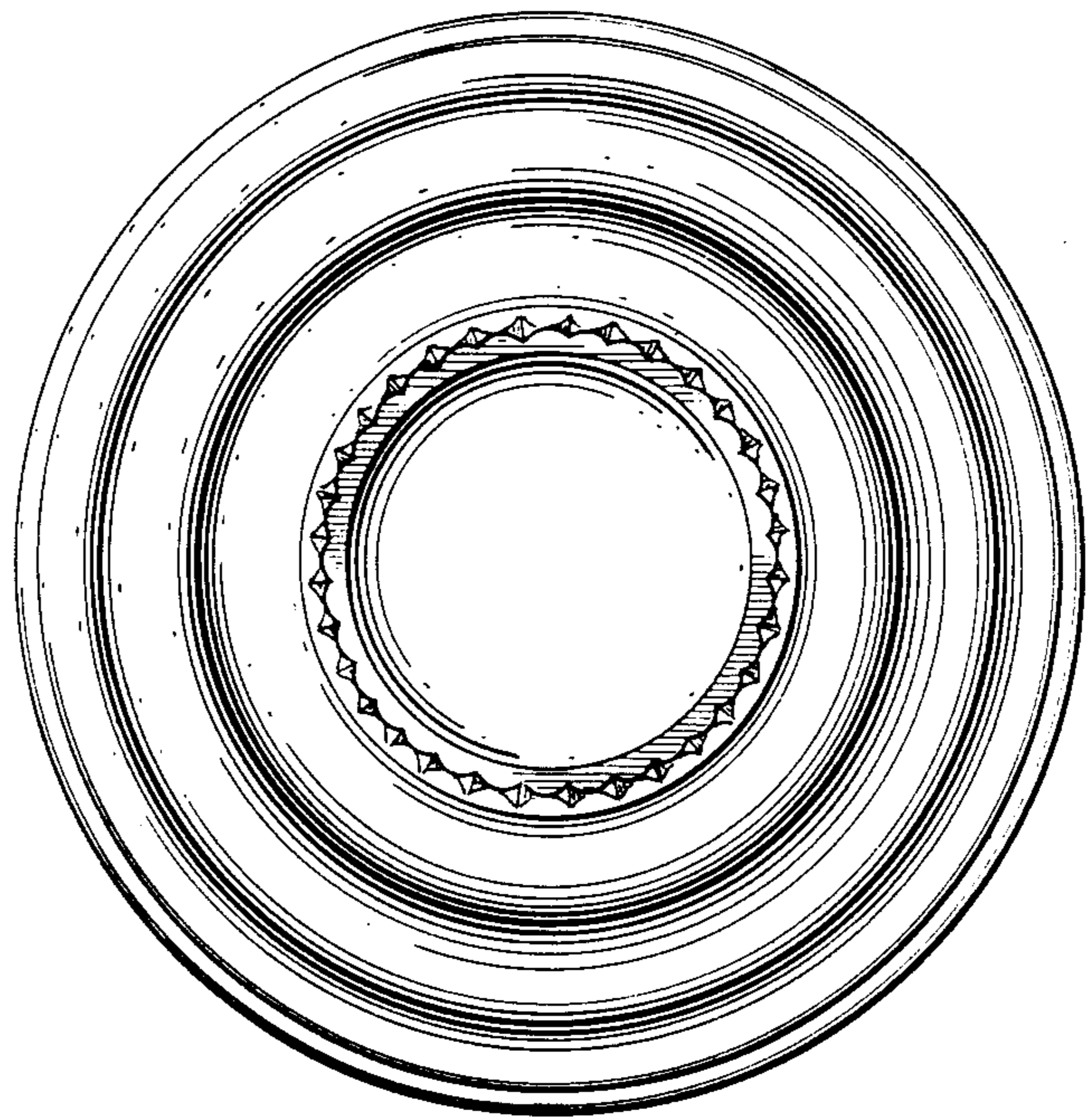


FIG. 5