

[54] COMBINED TABLE AND MULTIPLE HOOK SUPPORT

[76] Inventor: Arno J. Liebman, 1819 Shore Dr., South, Apt. No. 218, South Pasadena, Fla. 33707

[**] Term: 14 Years

[21] Appl. No.: 928,842

[22] Filed: Jul. 26, 1978

[51] Int. Cl. D6-03

[52] U.S. Cl. D6/27; D6/28; D6/146

[58] Field of Search D6/26, 27, 146-149, D6/177-179

[56] References Cited

U.S. PATENT DOCUMENTS

D. 203,487	1/1966	Van Pelt	D6/146 X
D. 224,324	7/1972	Wiggins	D6/146 X
D. 225,596	12/1972	Lucas	D6/146
D. 225,935	1/1973	Kienel	D6/146
D. 237,563	11/1975	Gerber et al.	D6/27
D. 237,564	11/1975	Laylon	D6/27

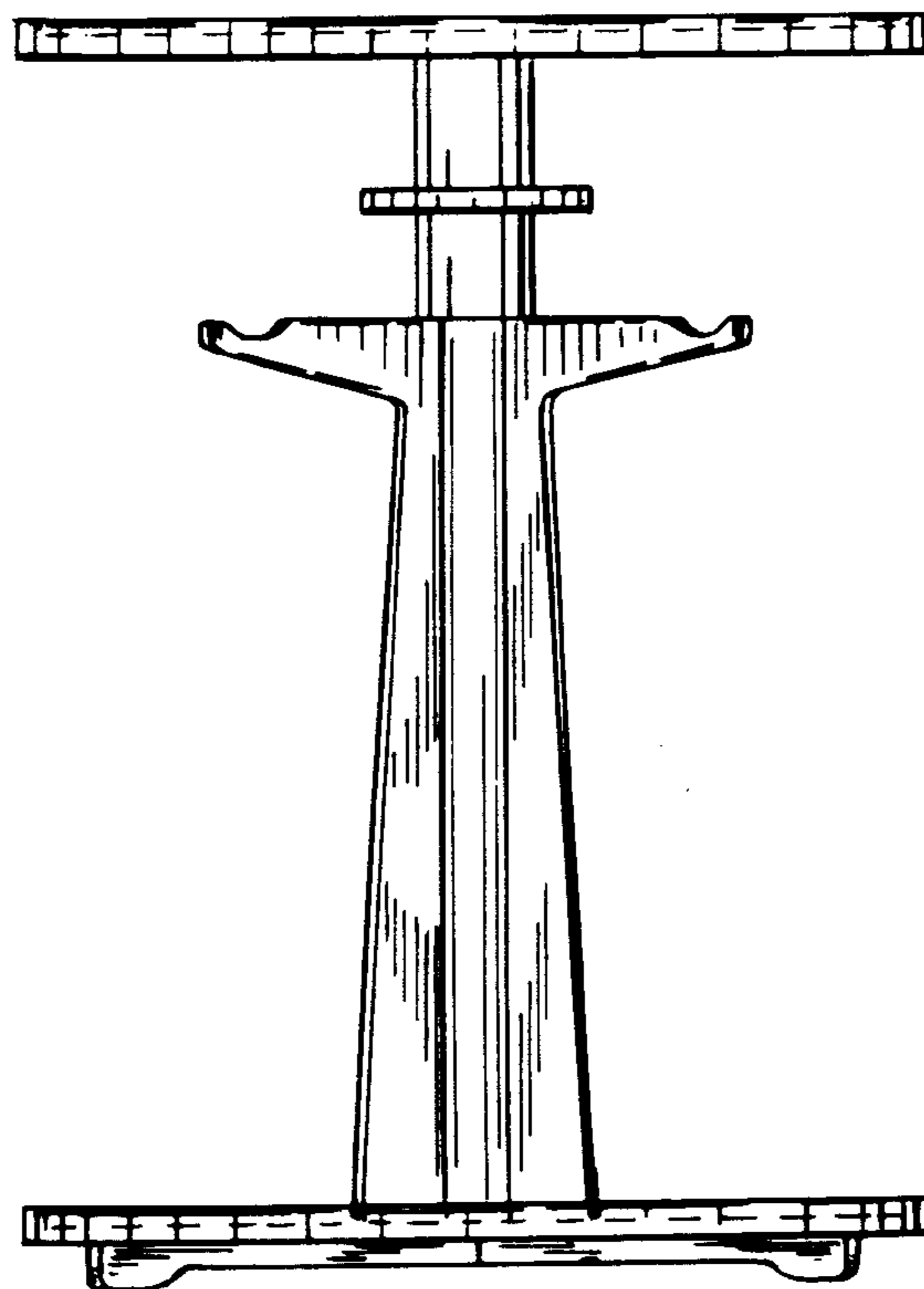
Primary Examiner—Bruce W. Dunkins
Attorney, Agent, or Firm—Robert Henderson

[57] CLAIM

The ornamental design for a combined table and multiple hook support, as shown.

DESCRIPTION

FIG. 1 is a front elevational view of a combined table and multiple hook support showing my new design; FIG. 2 is a left side elevational view; FIG. 3 is a right side elevational view; FIG. 4 is a top plan view; and FIG. 5 is a back elevational view.



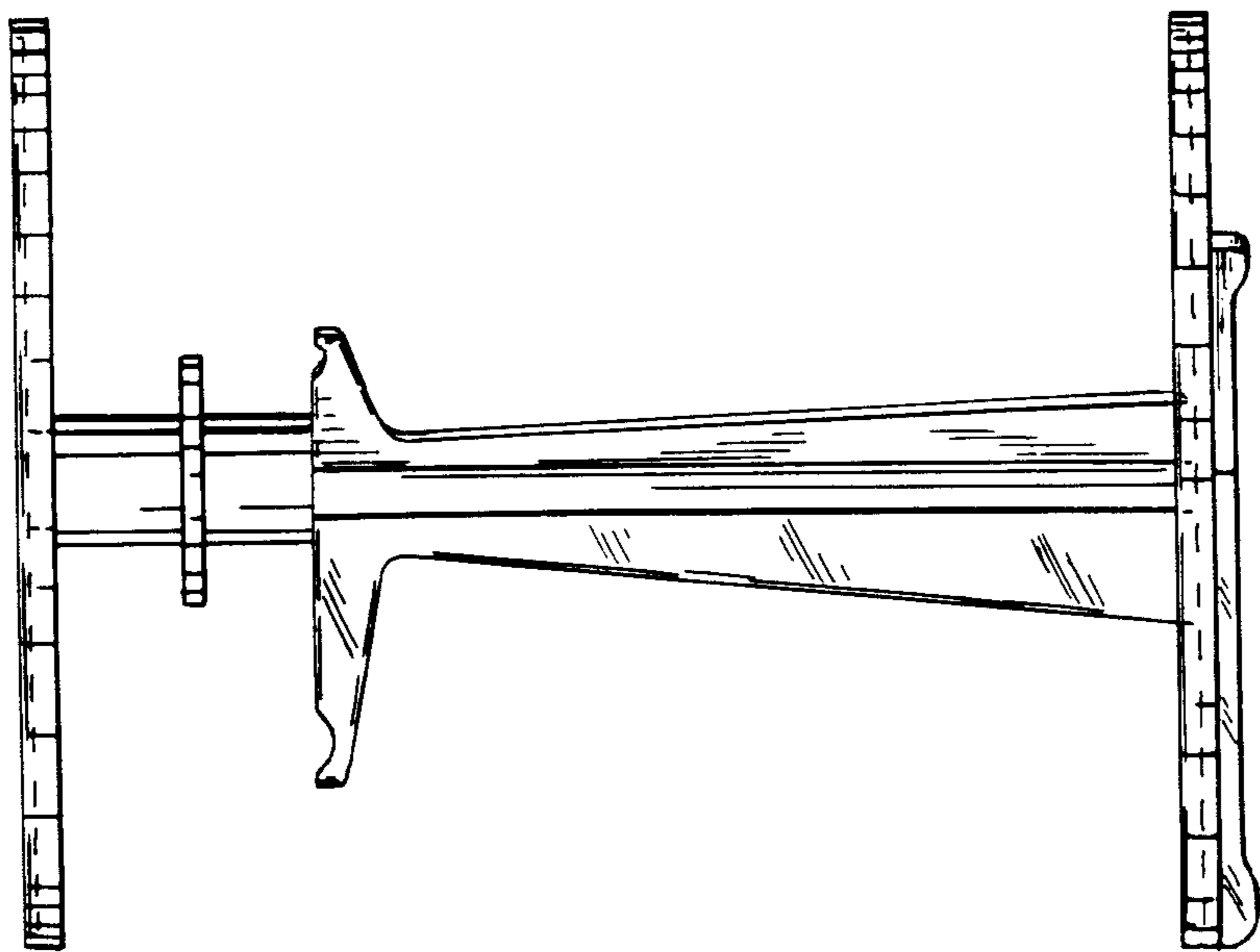


Fig-2

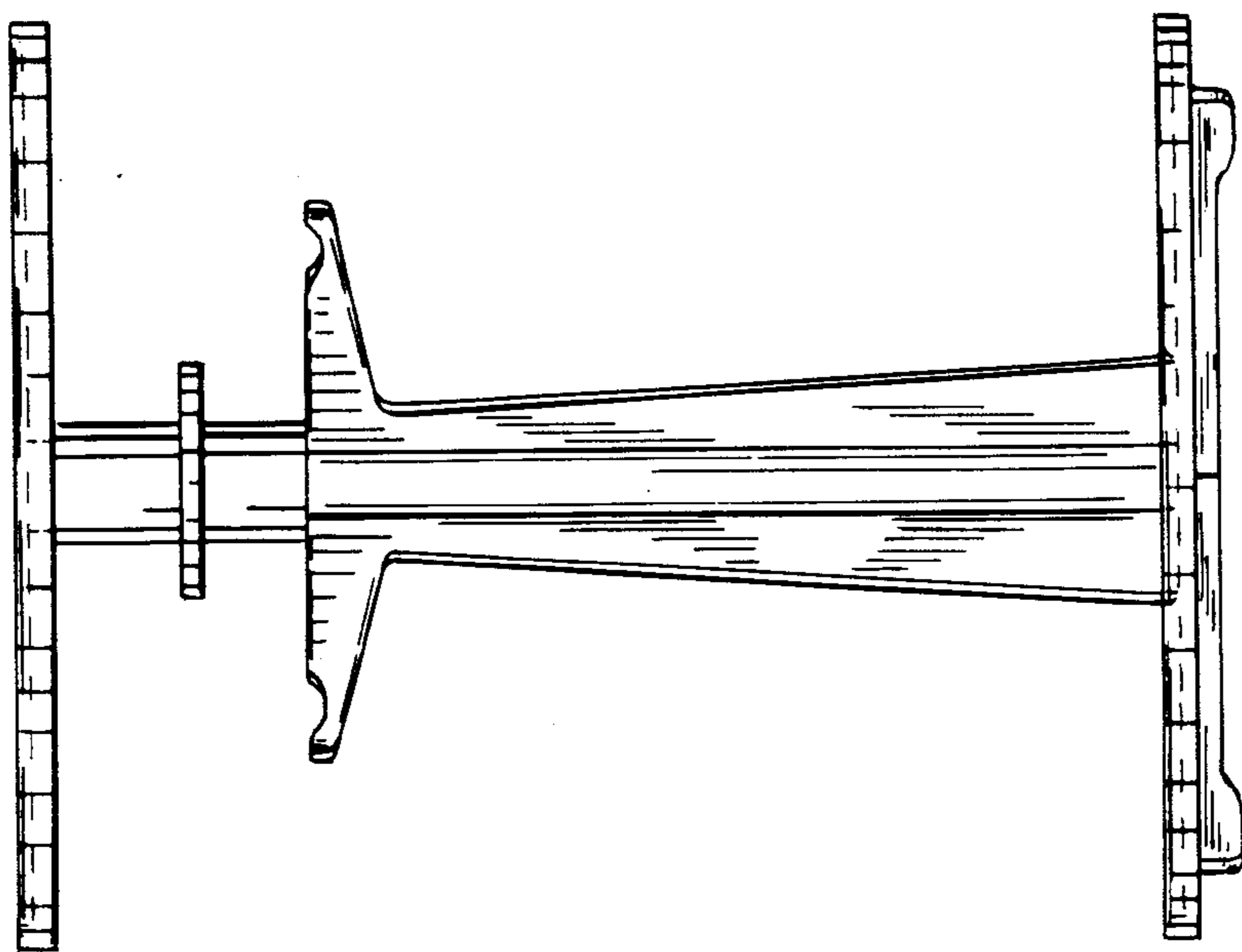


Fig-1

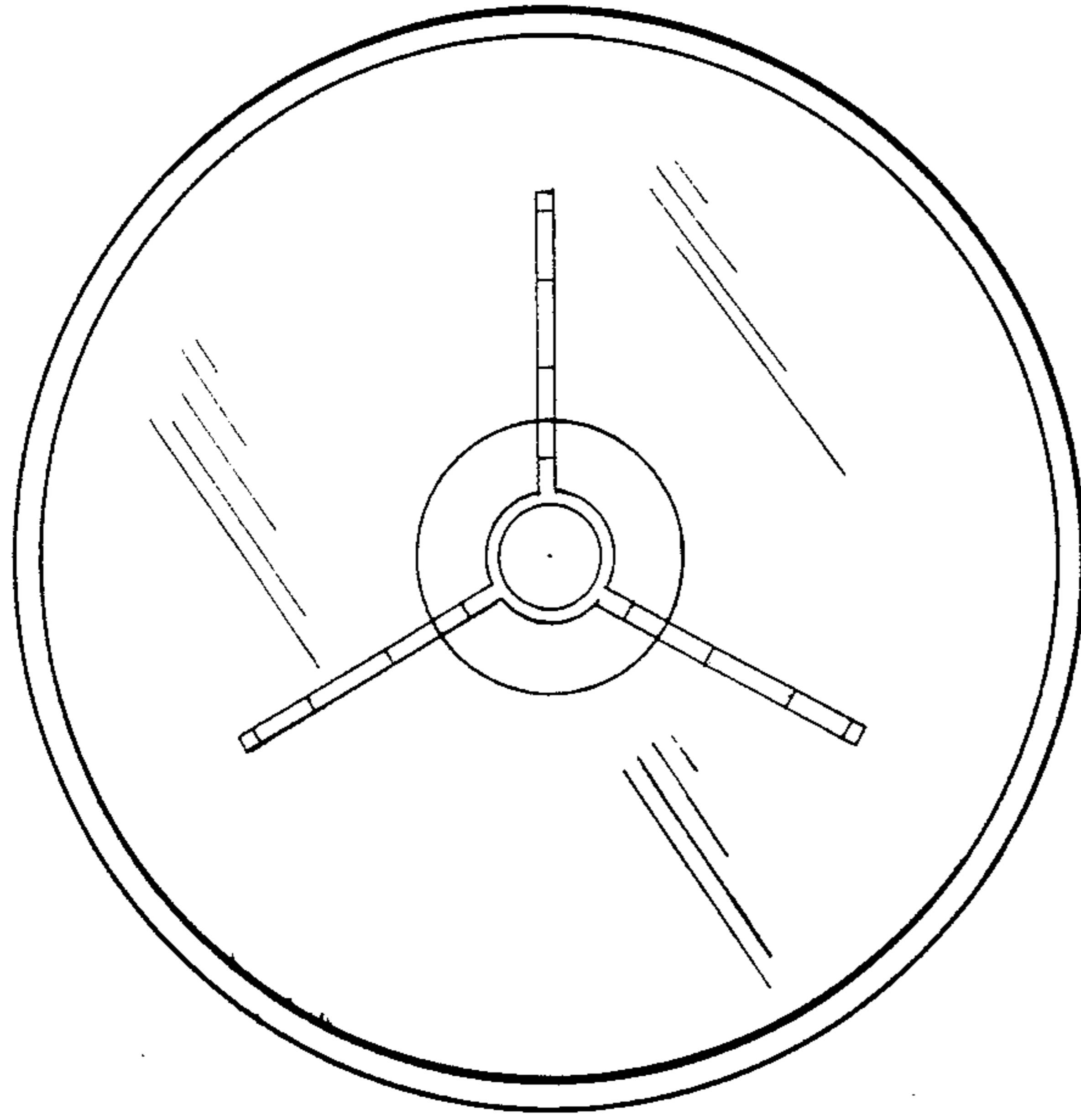


Fig-4

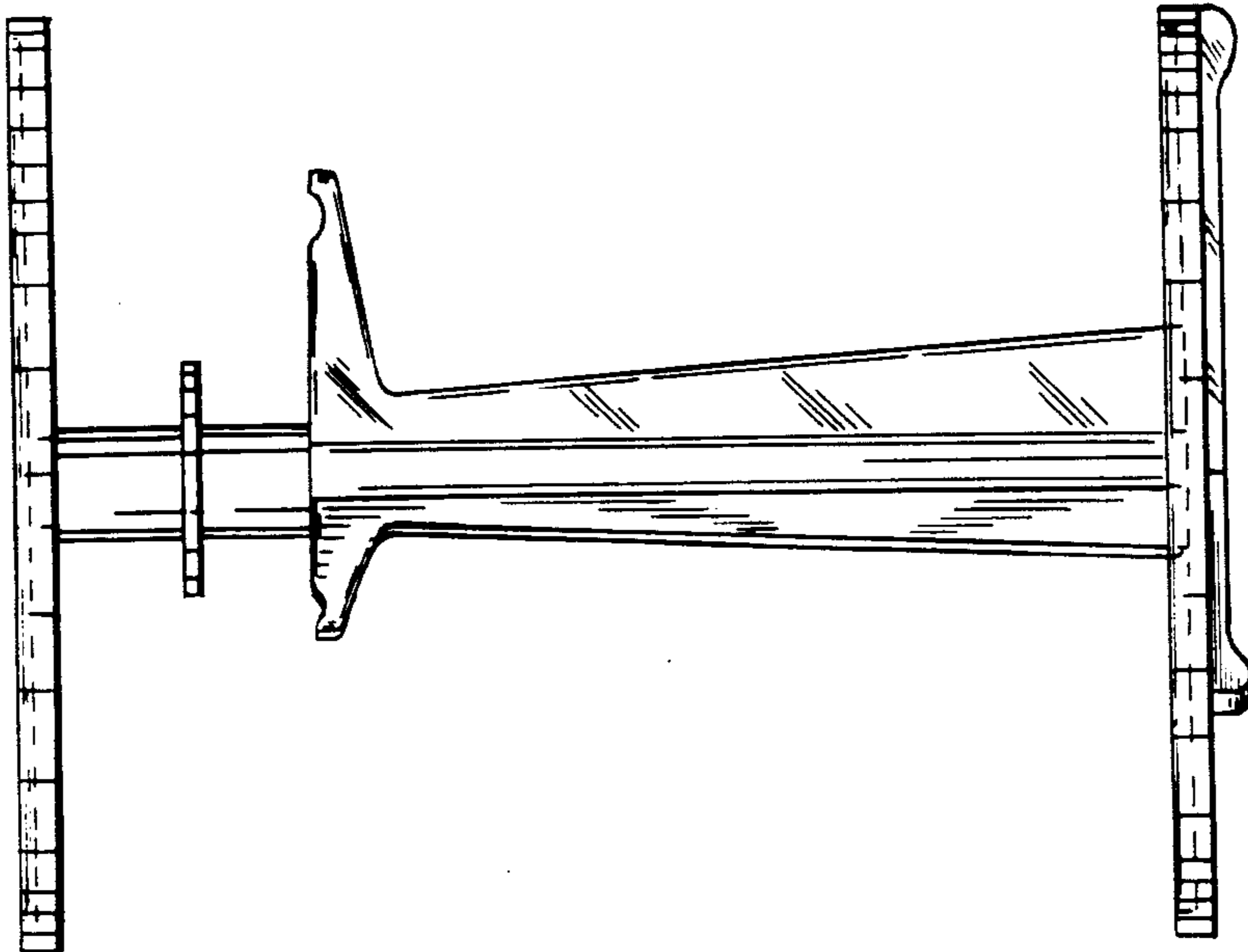


Fig-3

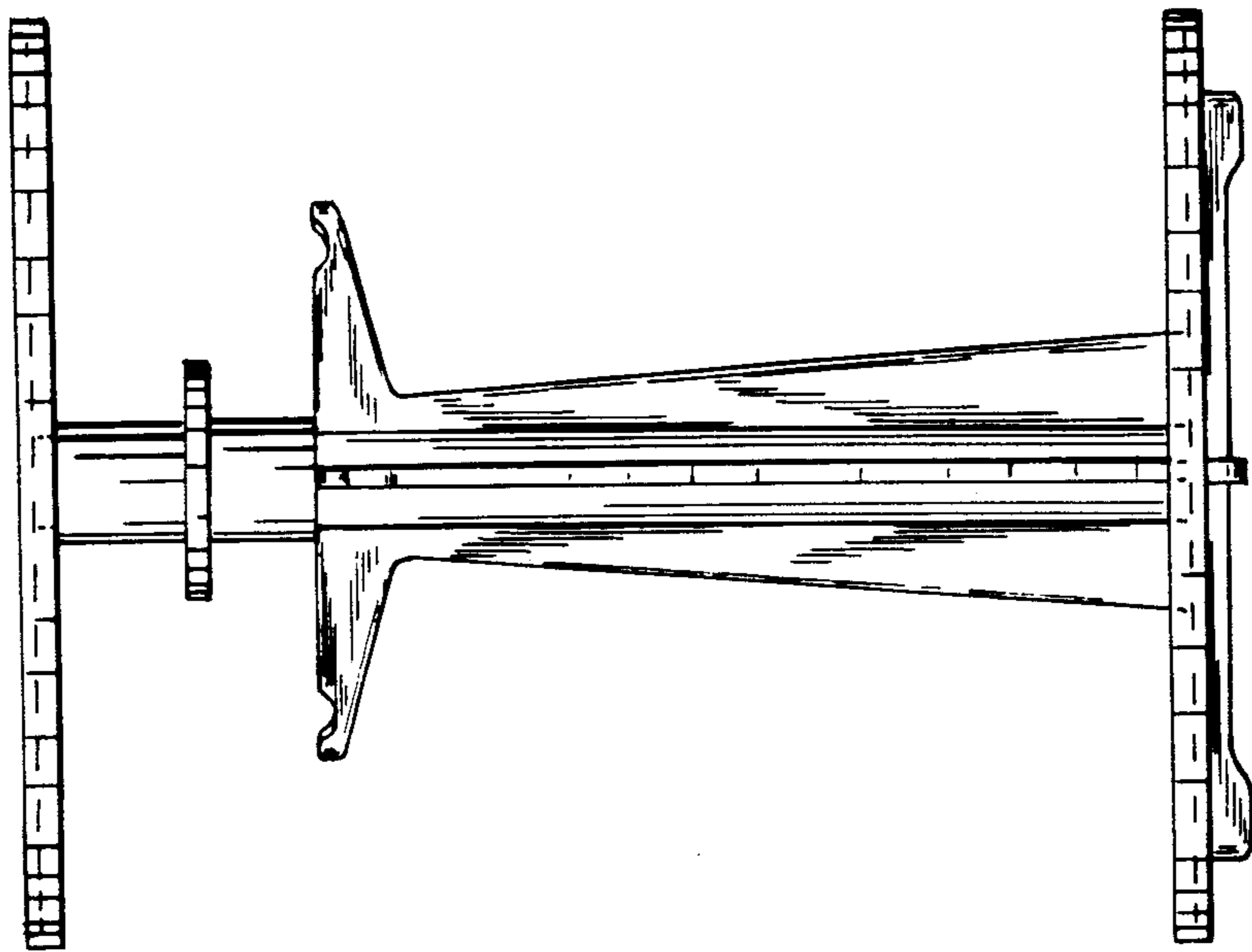


Fig. 5