

[54] STAND FOR LIGHT FIXTURE OR SIMILAR ARTICLE

[76] Inventor: Saad Z. M. Gabr, 81 Old Dover Rd., Canterbury, Kent, England

[**] Term: 14 Years

[21] Appl. No.: 850,308

[22] Filed: Nov. 10, 1977

[30] Foreign Application Priority Data

Jun. 13, 1977 [GB]	United Kingdom	980404
Jun. 13, 1977 [GB]	United Kingdom	980405
Jun. 13, 1977 [GB]	United Kingdom	980406
Jun. 13, 1977 [GB]	United Kingdom	980407

[51] Int. Cl. D26-05; D6-06

[52] U.S. Cl. D26/106; D6/85; D6/157; D6/182

[58] Field of Search D6/28, 85, 182, 157; 211/13; 248/175; D48/20 R, 20 A, 20 J; 362/410, 414, 431

[56] References Cited

U.S. PATENT DOCUMENTS

D. 34,572	5/1901	Langlois	D48/20 R
D. 84,685	7/1931	Egli	D48/20 A
D.108,779	3/1938	Crewse	D48/20 R
126,541	5/1872	Gray et al.	211/13
D. 137,106	1/1944	Caplan	D6/182
D. 175,472	8/1955	Kotzin	D48/20 A
D. 228,327	9/1973	Court	D6/85
D. 244,407	5/1977	Gass	D6/85

OTHER PUBLICATIONS

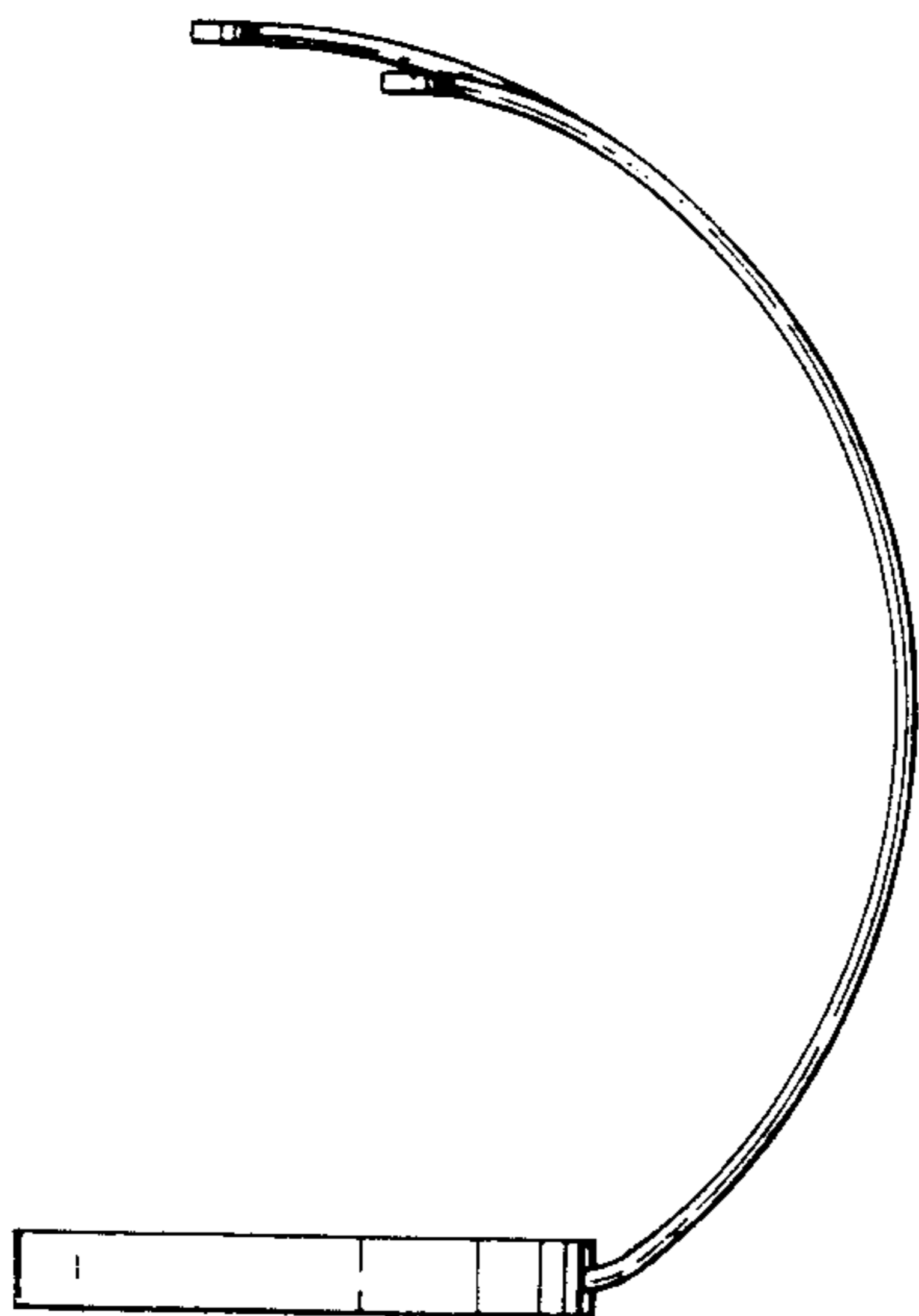
Modern Display Cat. from Hugh Lyons, p. 73, Circle Base Shoe Stand V-526.

Modern Display Cat. from Hugh Lyons, p. 83, Bag Stand V-506.

Primary Examiner—Wallace R. Burke

Assistant Examiner—B. J. Bullock

Attorney, Agent, or Firm—Irvin S. Thompson



[57] CLAIM

The ornamental design for a stand for light fixture or similar article, as shown and described.

DESCRIPTION

FIG. 1 is a side elevational view of a stand for light fixture or similar article having my new design, the side opposite being a mirror image thereof; FIG. 2 is a top plan view of FIG. 1; FIG. 3 is a front elevational view of FIG. 1; FIG. 4 is a side elevational view of a second embodiment of the design of FIG. 1, the side opposite being a mirror image thereof; FIG. 5 is a top plan view of FIG. 4; FIG. 6 is a front elevational view of FIG. 4; FIG. 7 is a side elevational view of a third embodiment of the design of FIG. 1, the side opposite being a mirror image thereof; FIG. 8 is a top plan view of FIG. 7; FIG. 9 is a front elevational view of FIG. 7; FIG. 10 is a side elevational view of a fourth embodiment of the design of FIG. 1, the side opposite being a mirror image thereof; FIG. 11 is a top plan view of FIG. 10; FIG. 12 is a front elevational view of FIG. 10; FIG. 13 is a side elevational view of a fifth embodiment of the design of FIG. 1, the side opposite being a mirror image thereof; FIG. 14 is a top plan view of FIG. 13; FIG. 15 is a front elevational view of FIG. 13; FIG. 16 is a side elevational view of a sixth embodiment of the design of FIG. 1, the side opposite being a mirror image thereof; FIG. 17 is a top plan view of FIG. 16; FIG. 18 is a front elevational view of FIG. 16; FIG. 19 is a side elevational view of a seventh embodiment of the design of FIG. 1, the side opposite being a mirror image thereof; FIG. 20 is a top plan view of FIG. 19; FIG. 21 is a front elevational view of FIG. 19; FIG. 22 is a side elevational view of an eighth embodiment of the design of FIG. 1, the side opposite being a mirror image thereof; FIG. 23 is a top plan view of FIG. 22; and FIG. 24 is a front elevational view of FIG. 22.

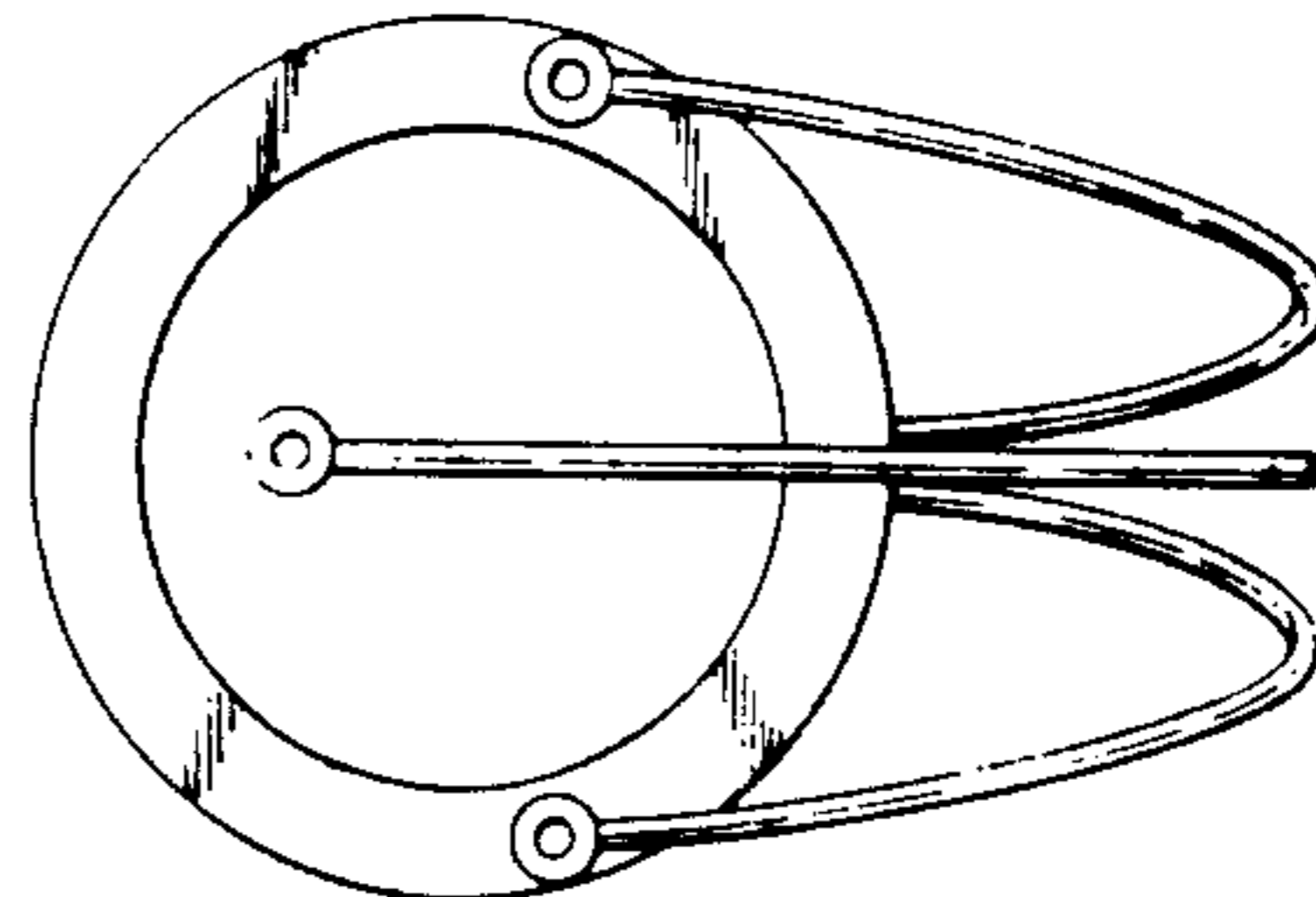


FIG. 1

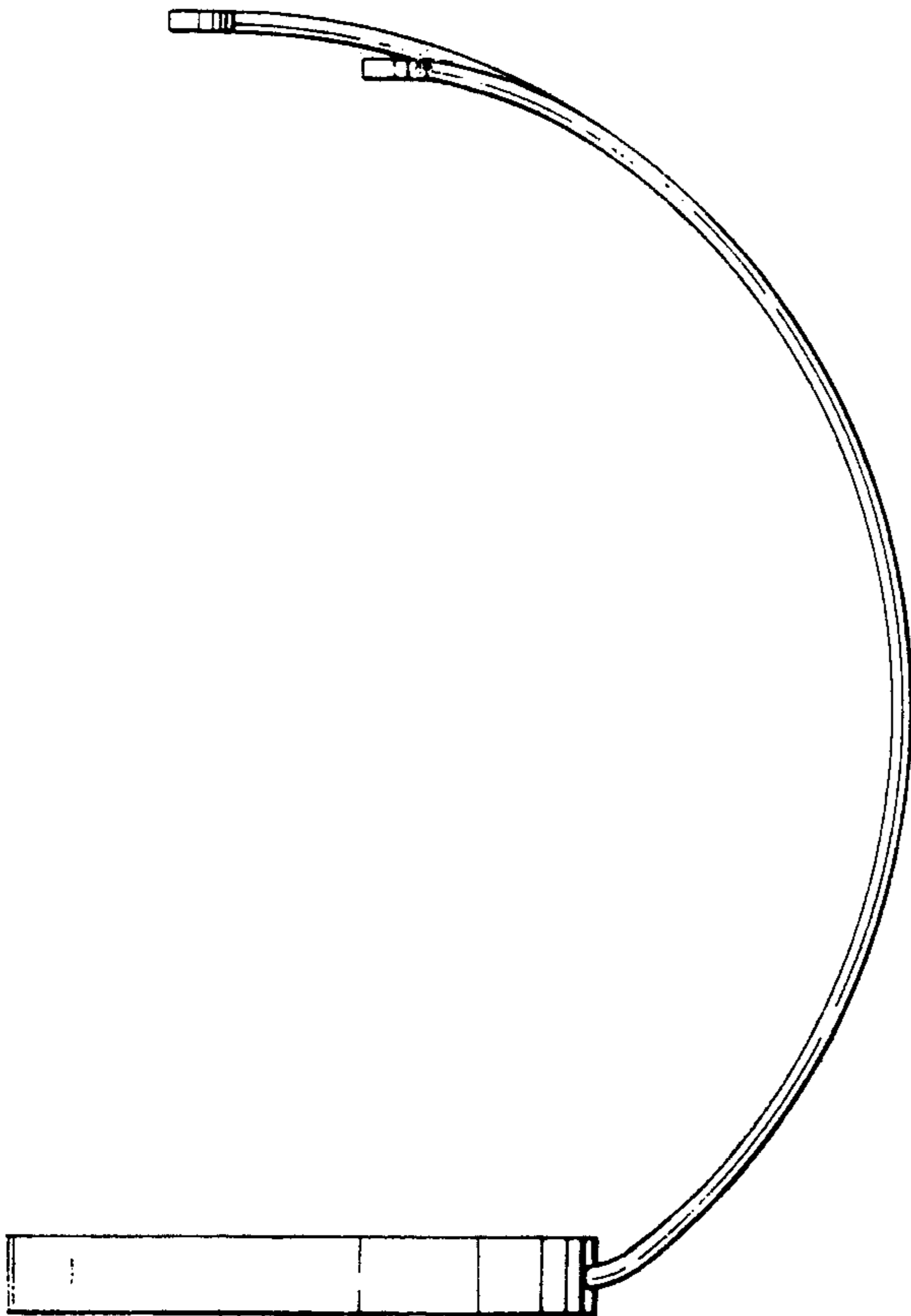


FIG. 3

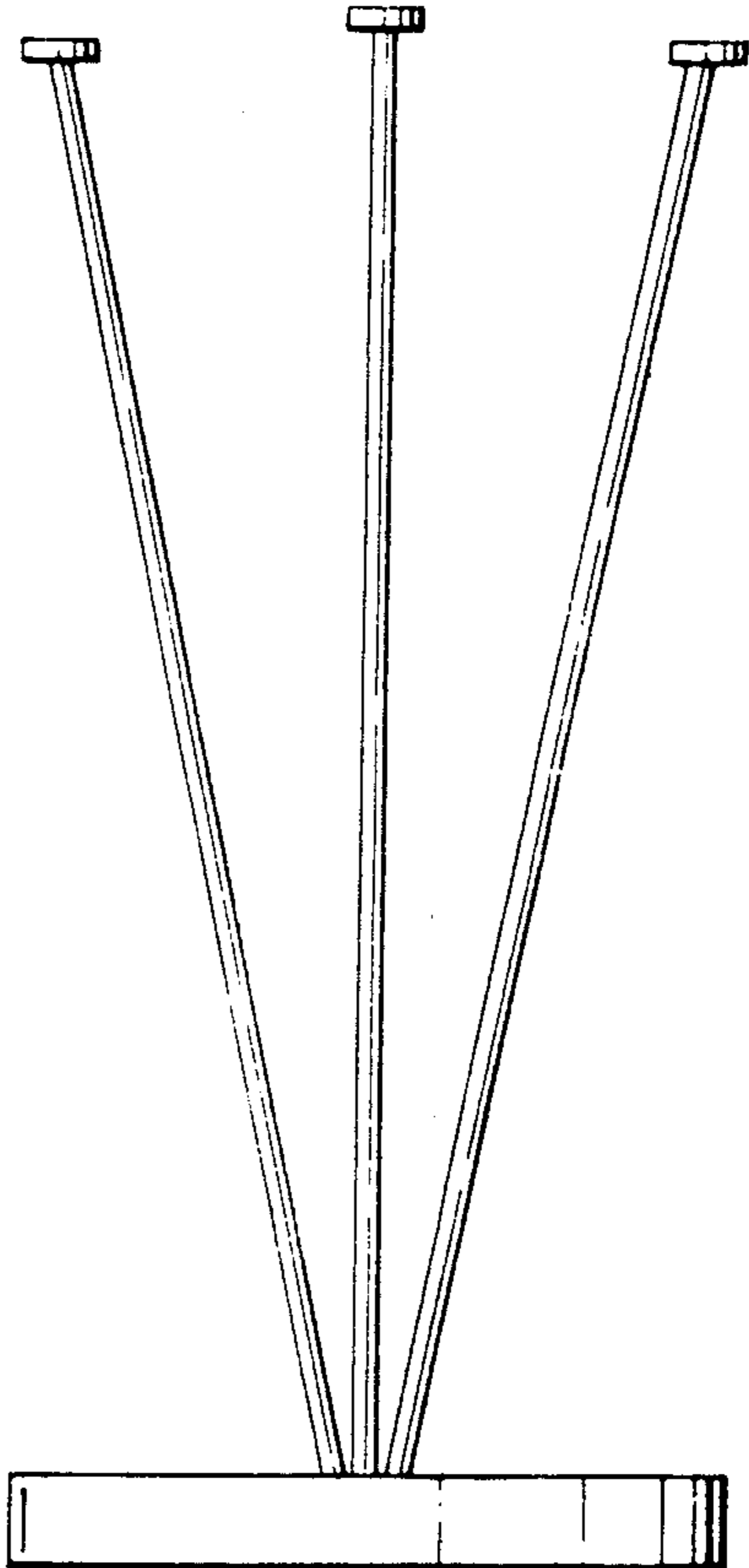


FIG. 2

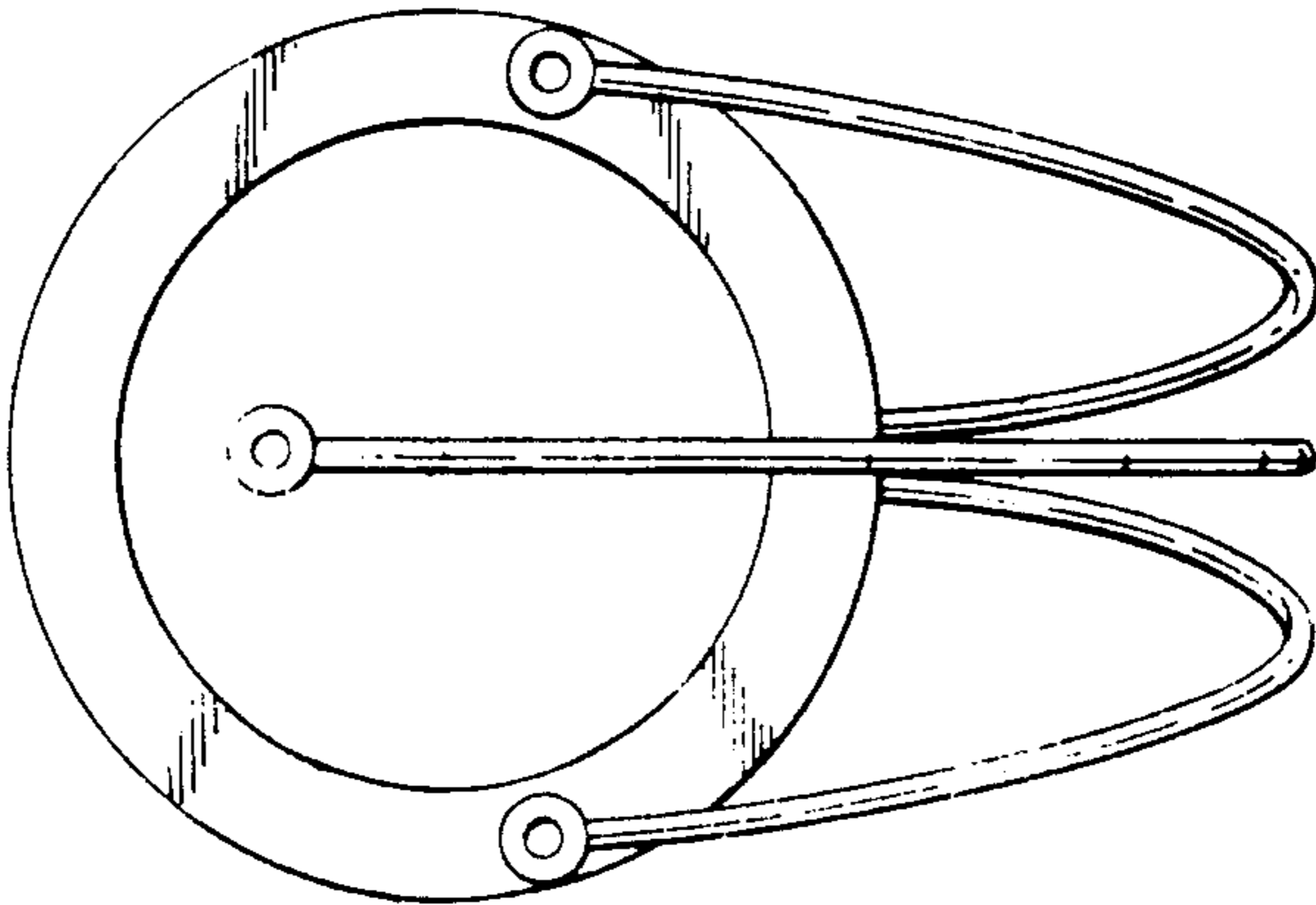


FIG. 4

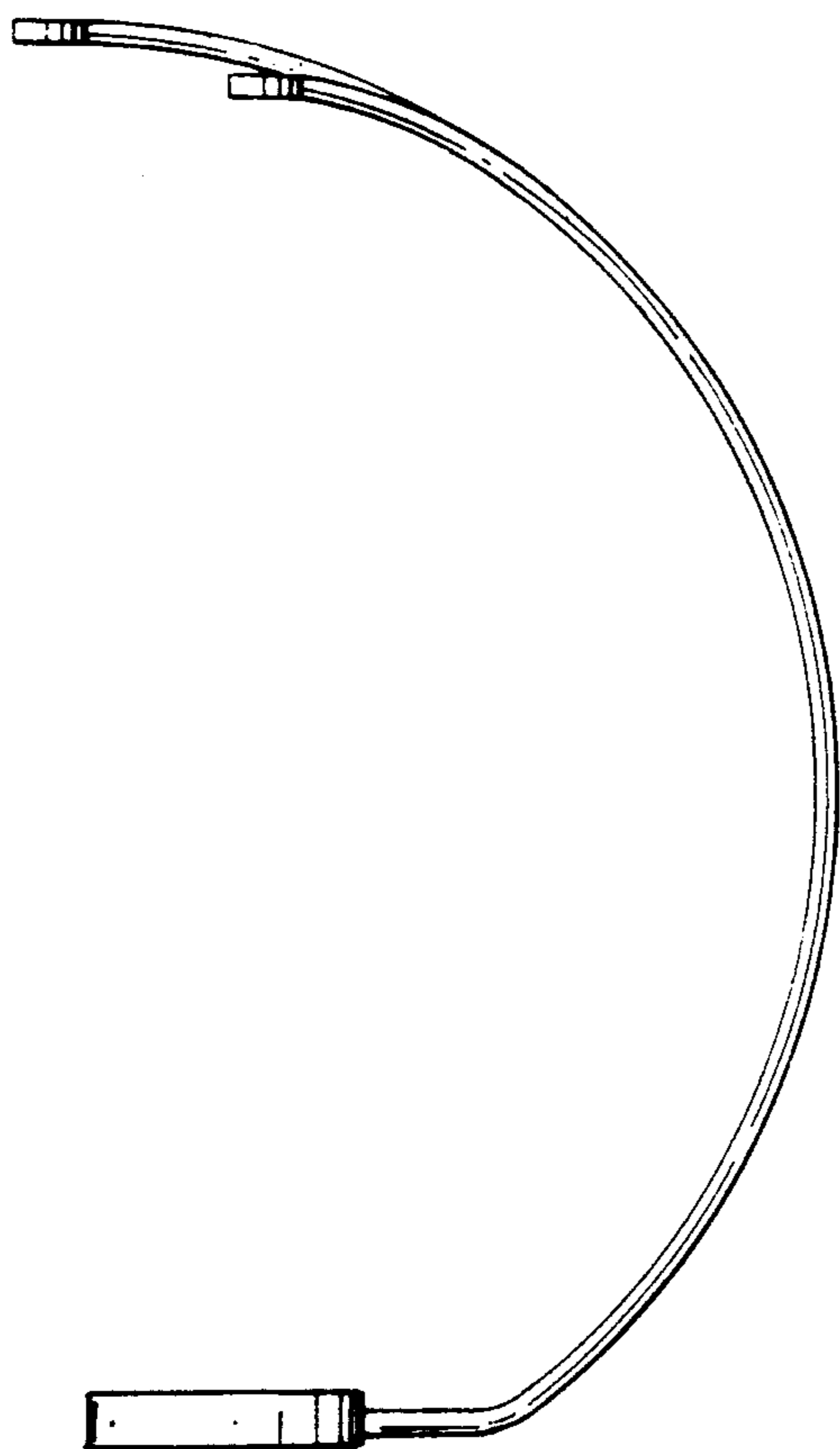


FIG. 6

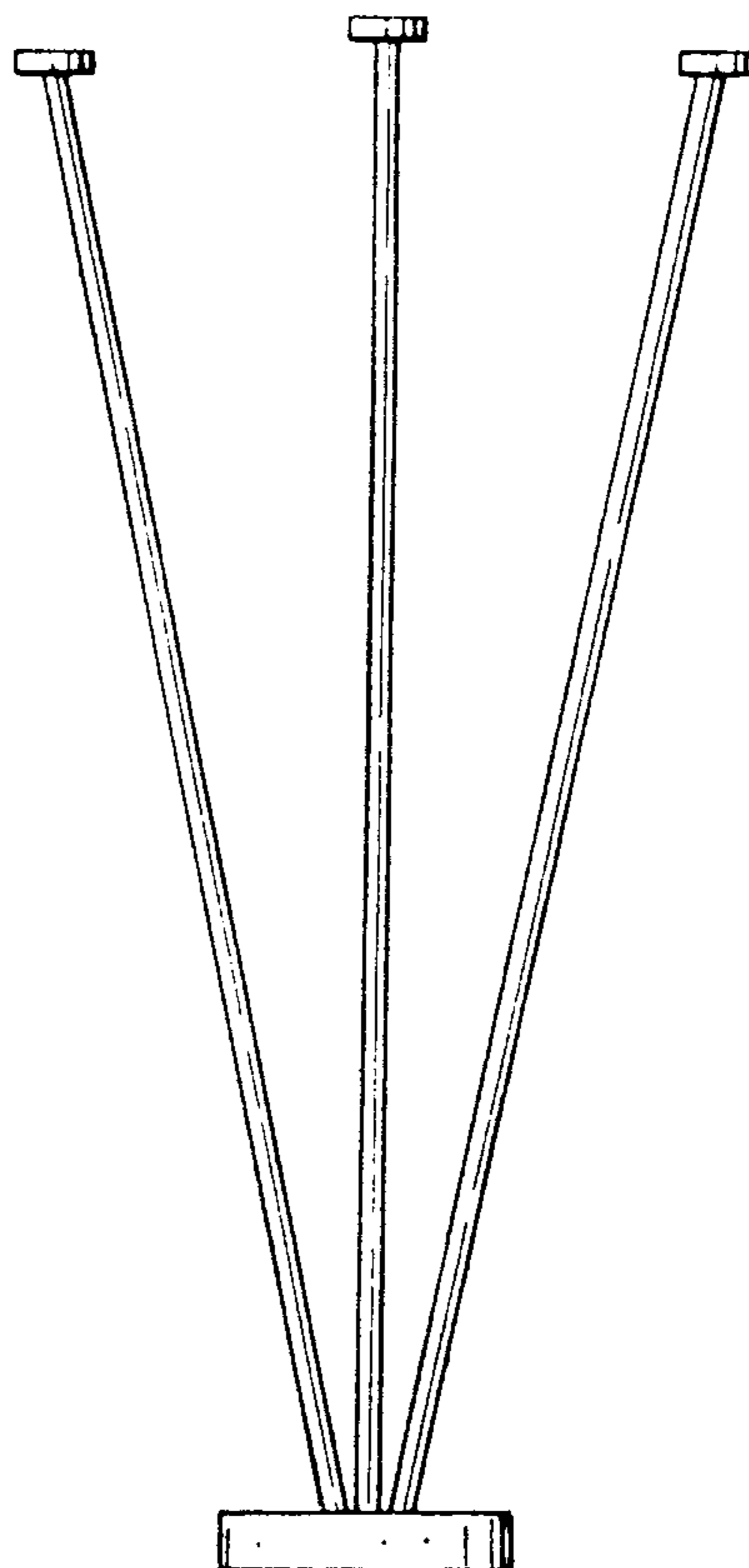
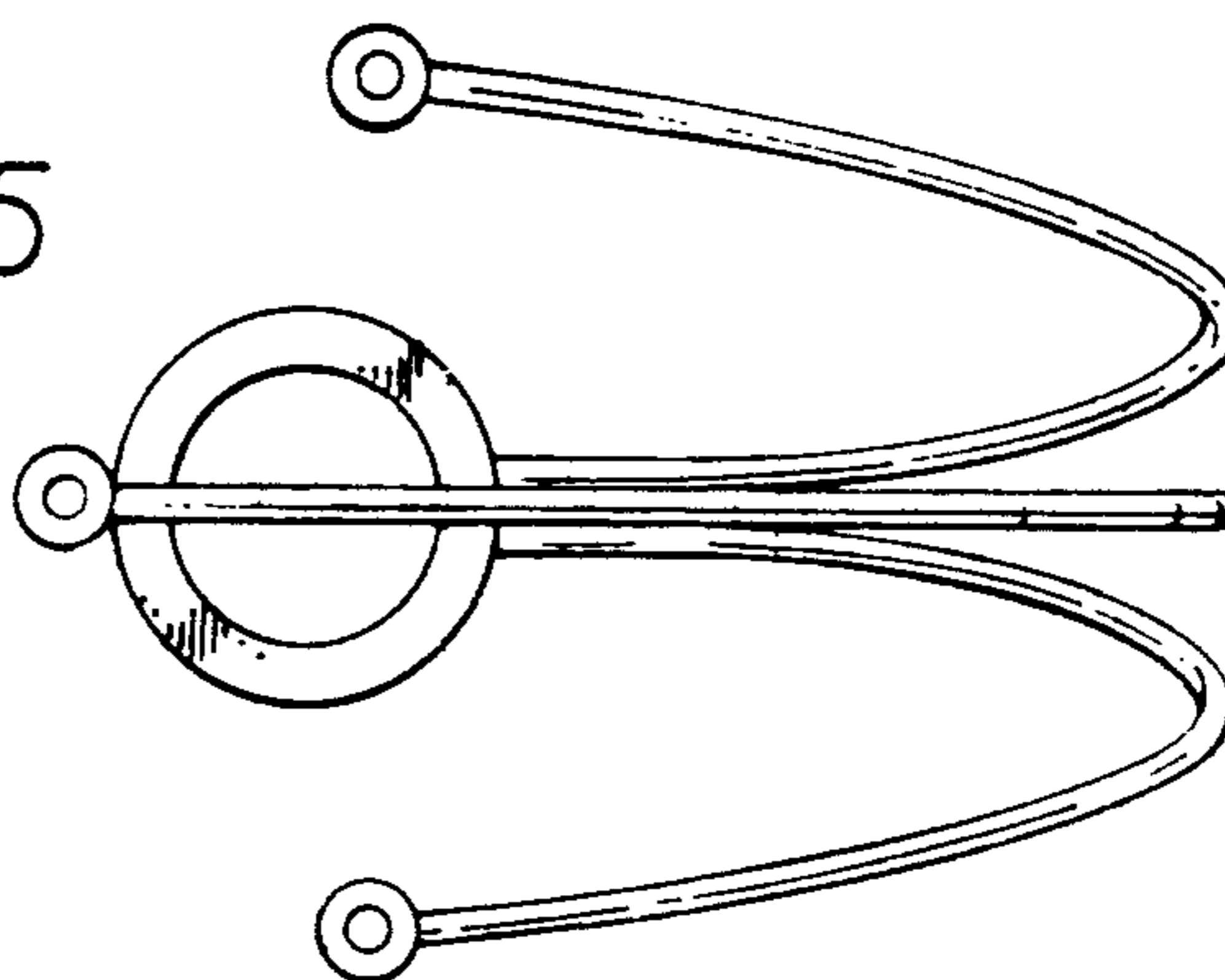


FIG. 5



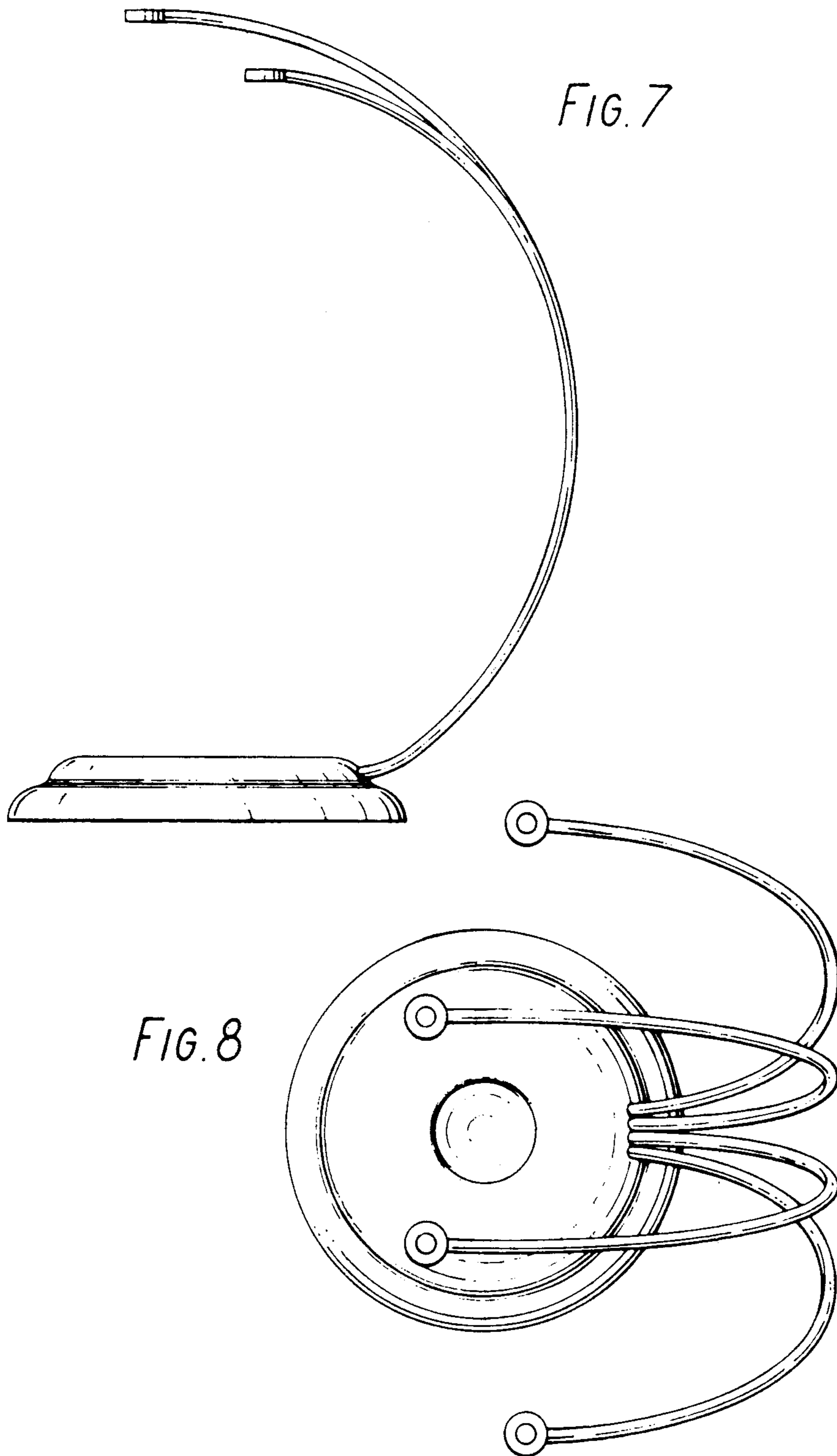
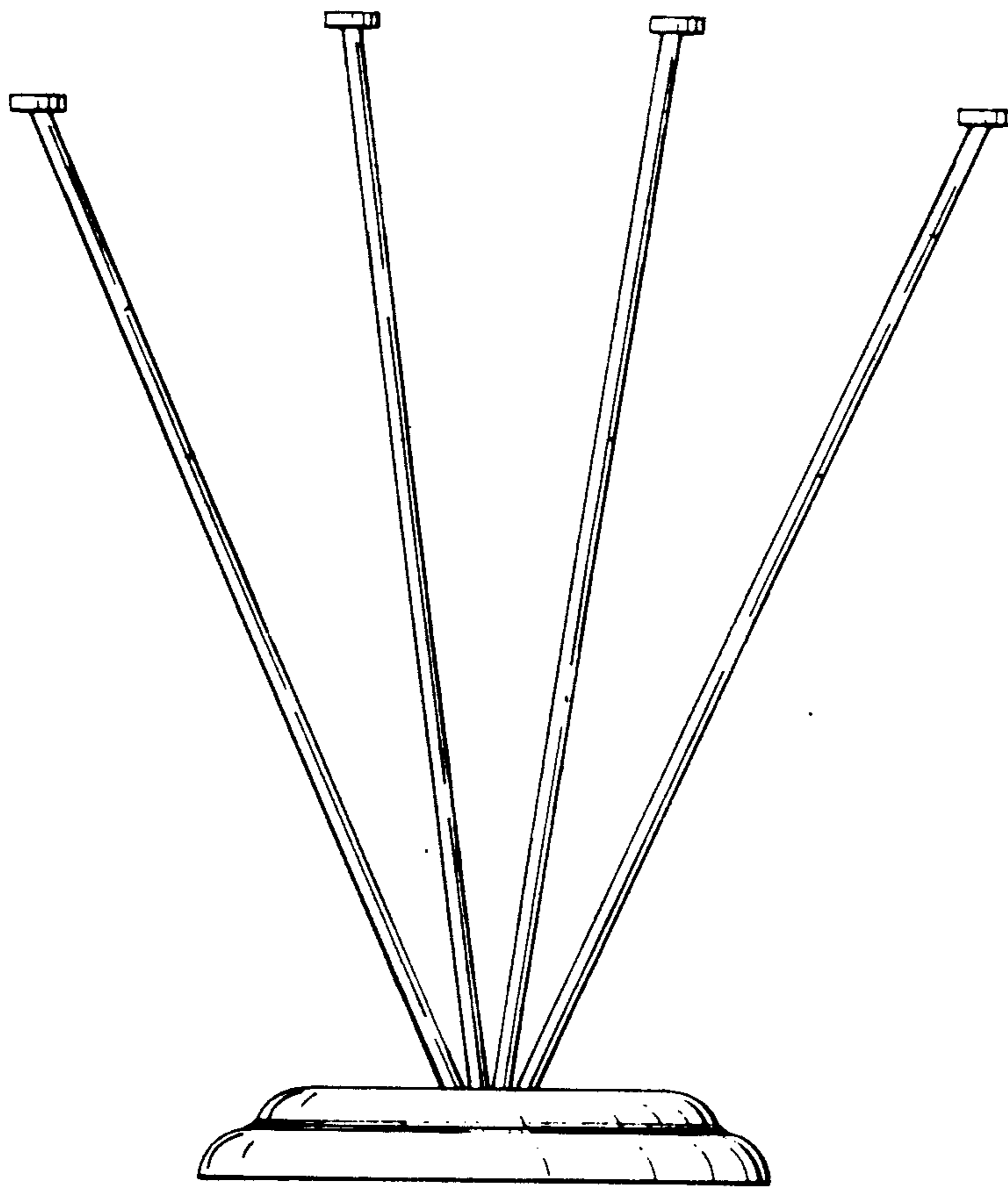


FIG. 9



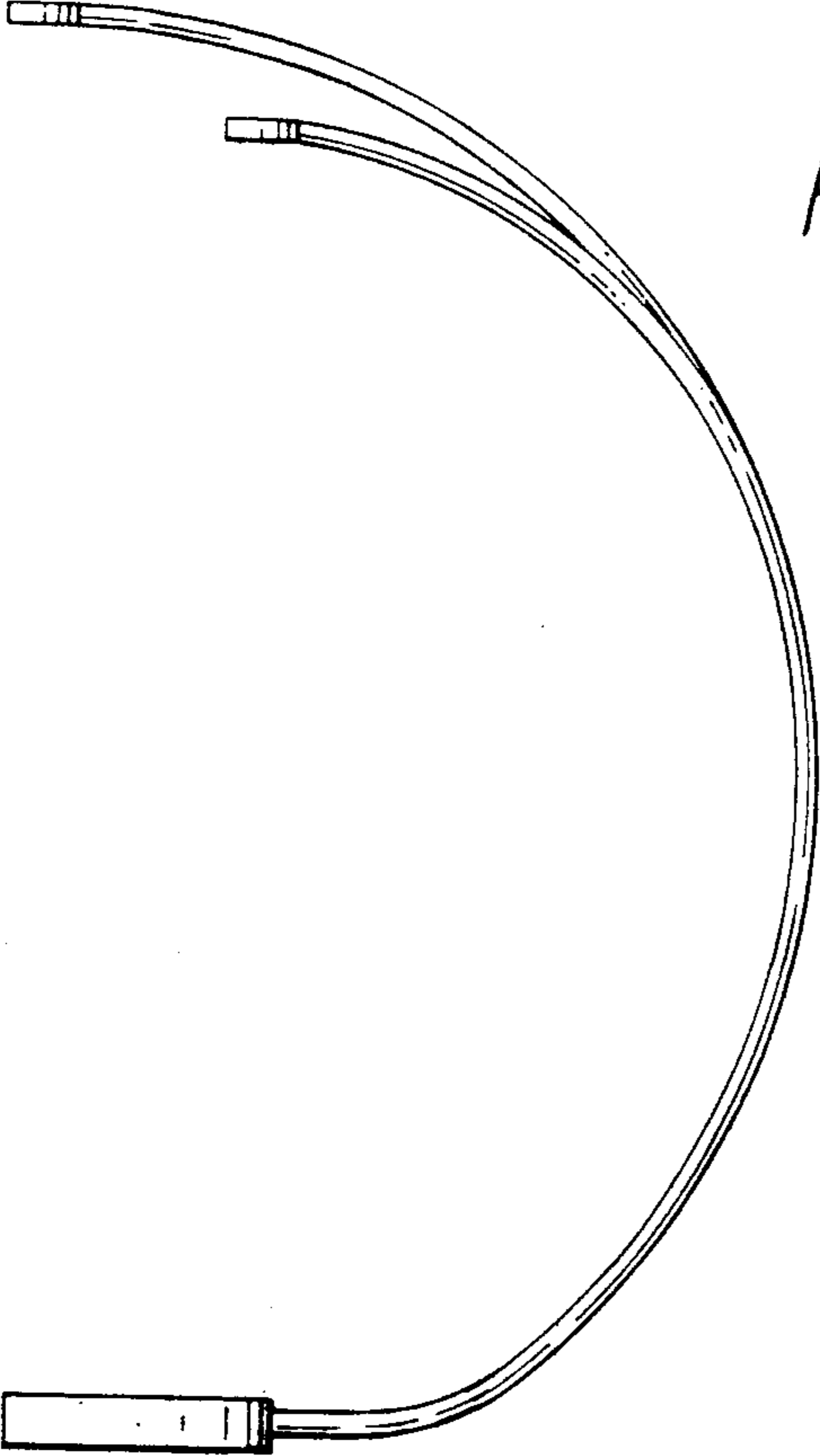


FIG. 10

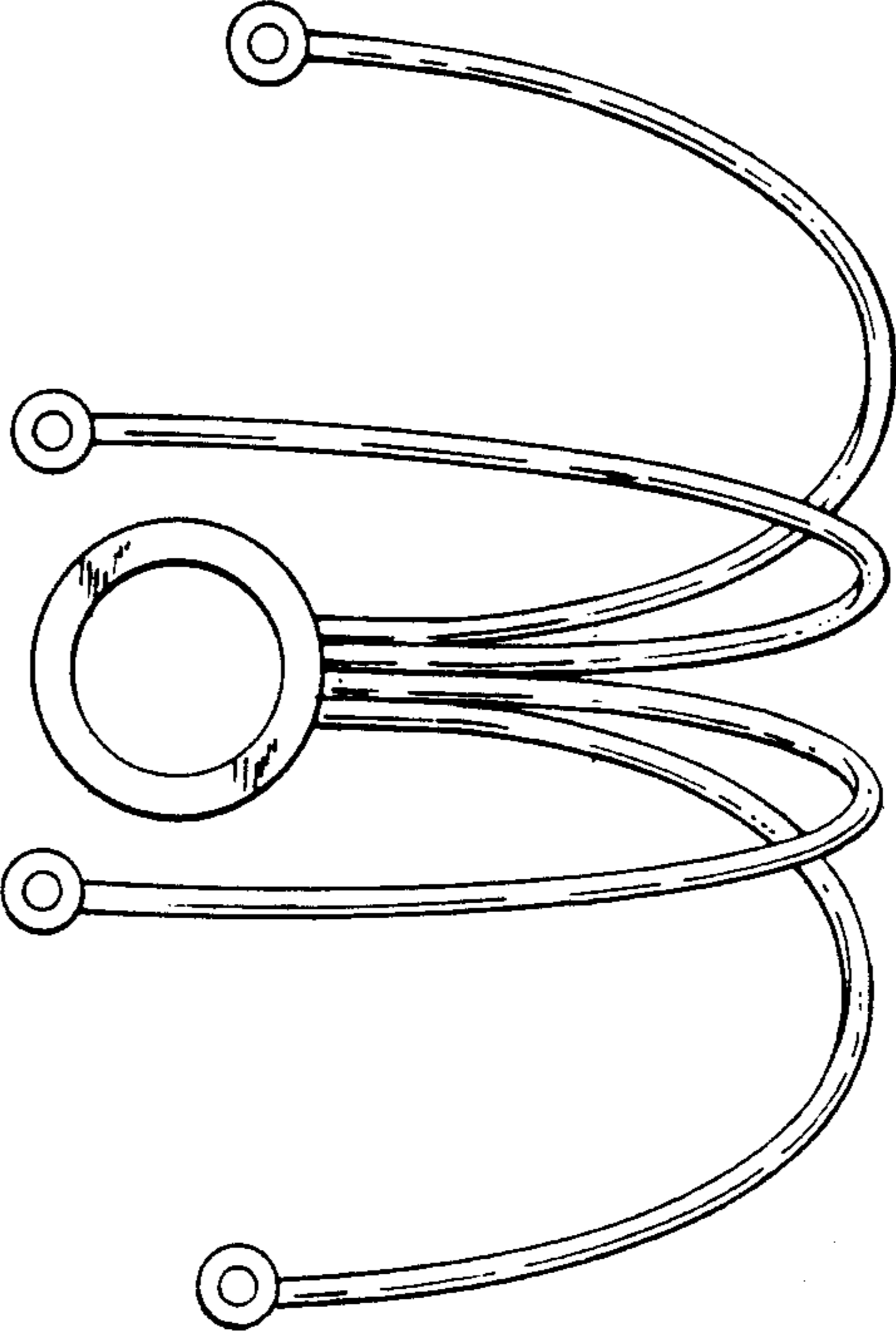


FIG. 11

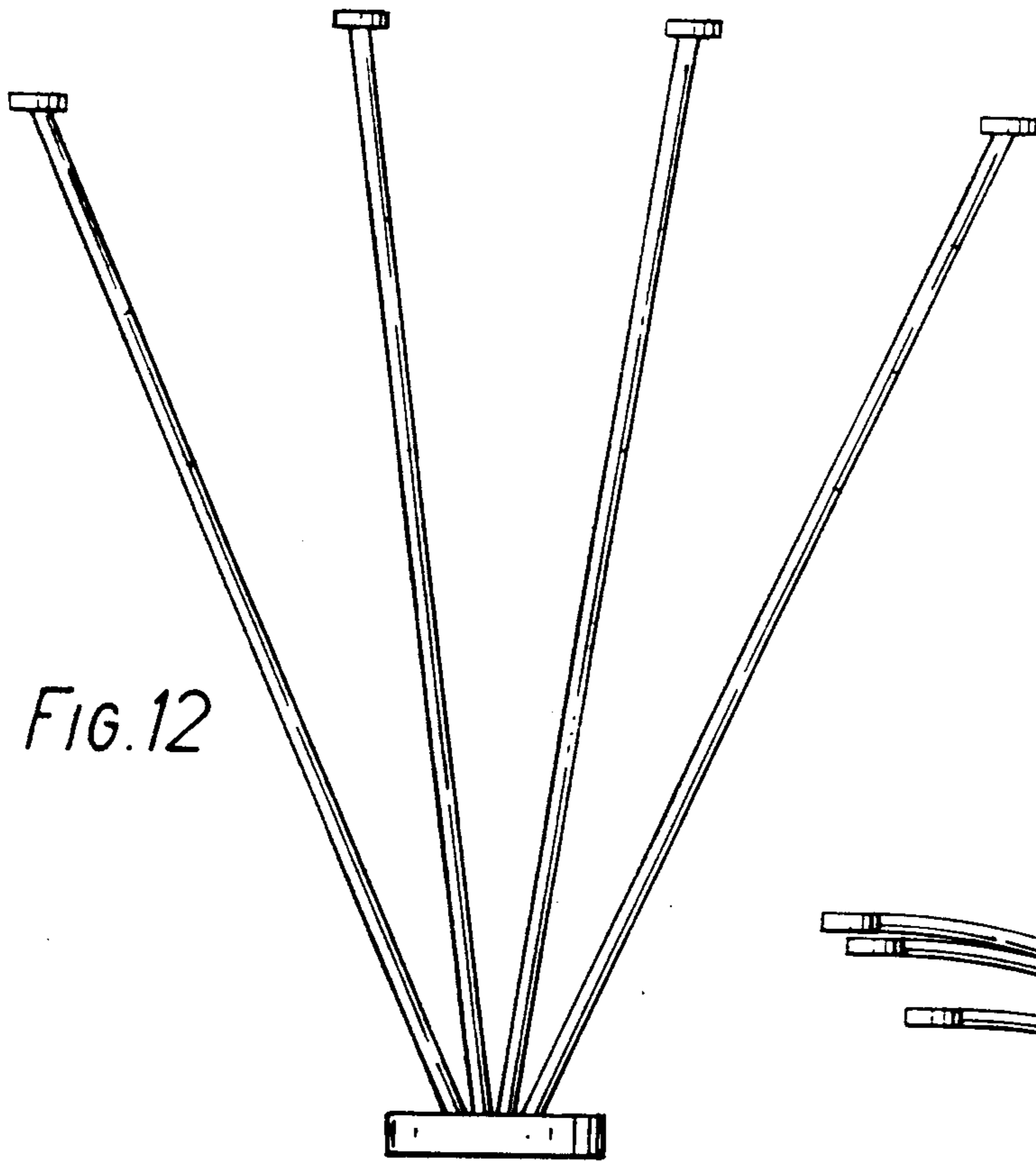


FIG. 13

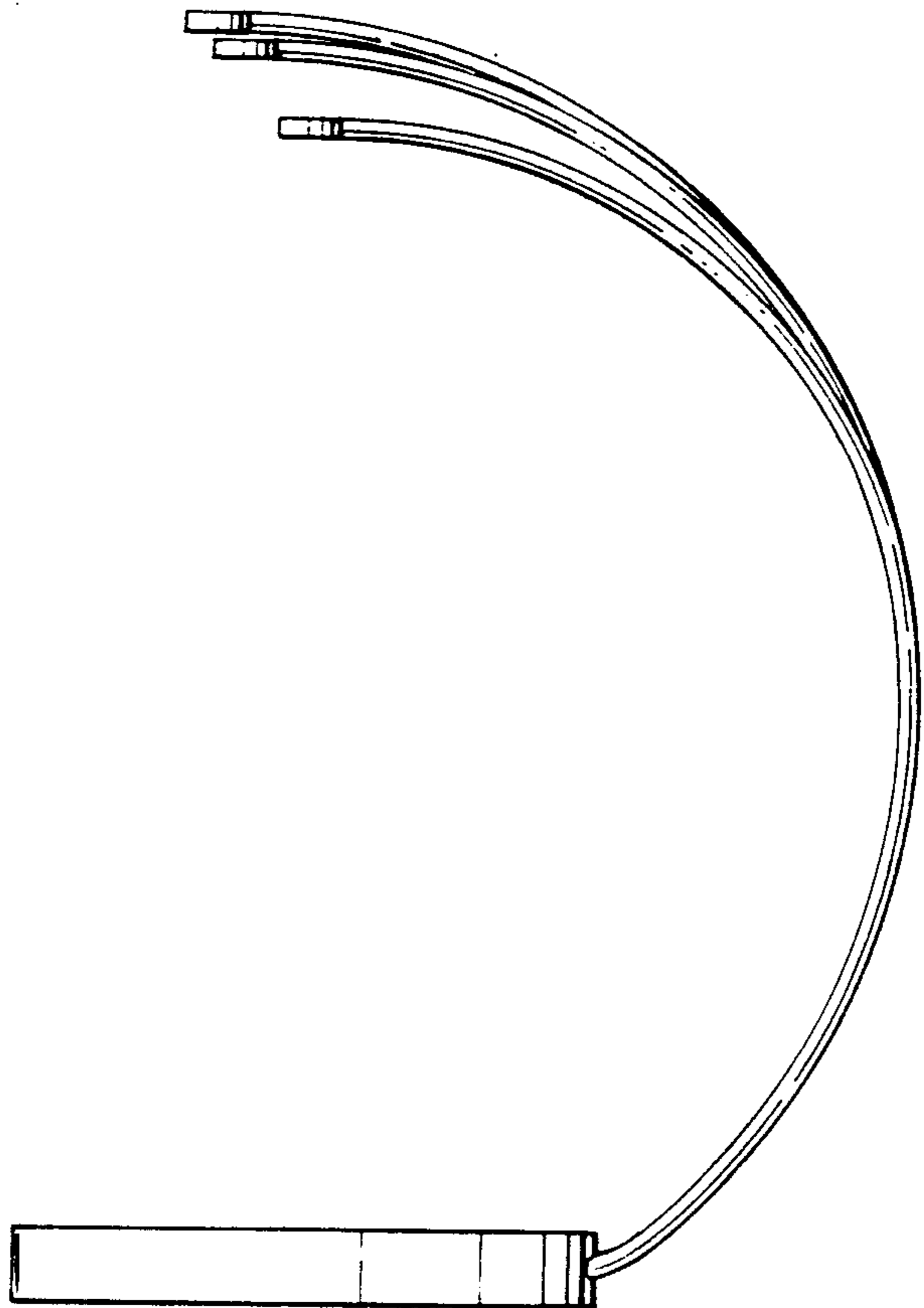


FIG. 14

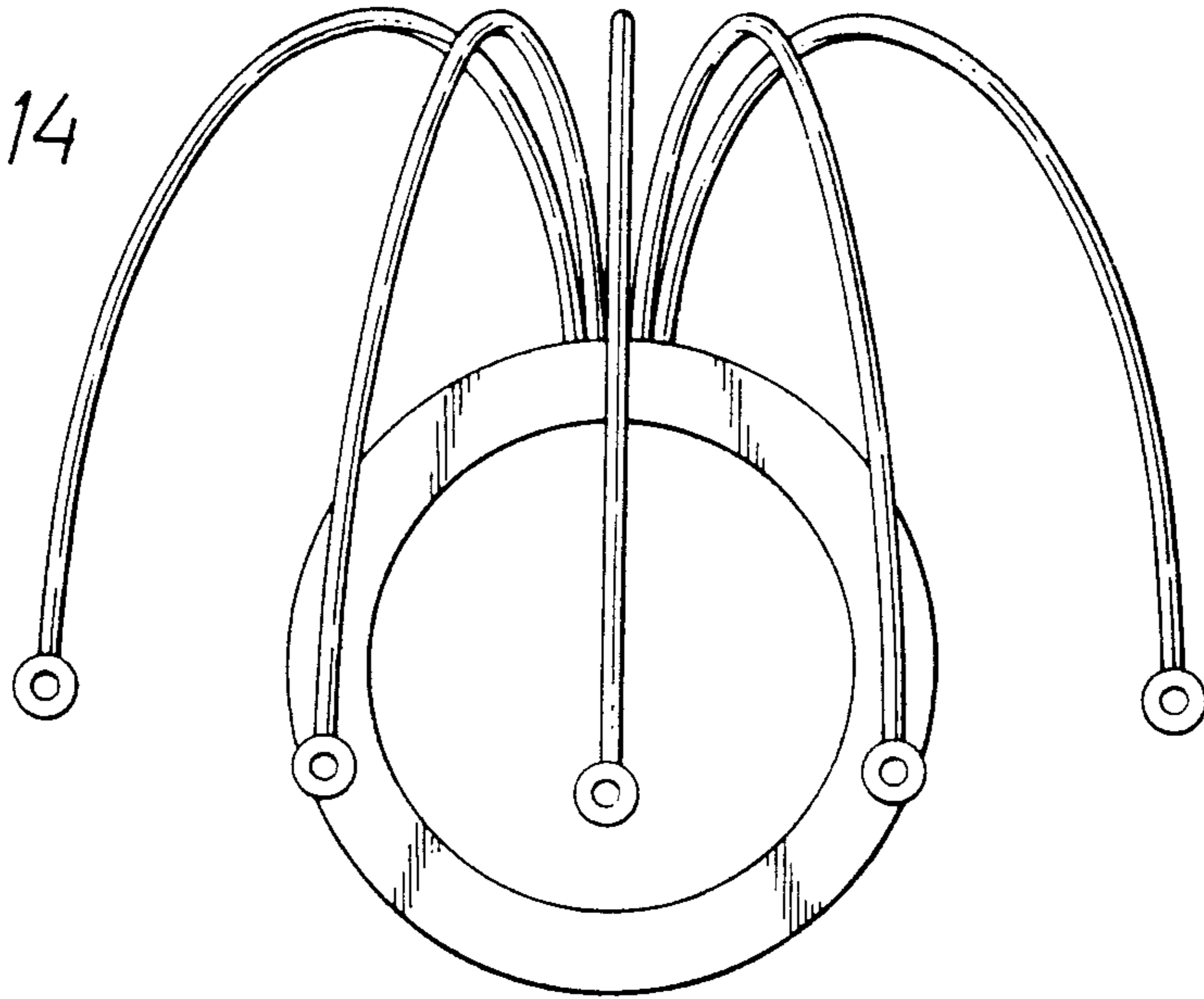


FIG. 15

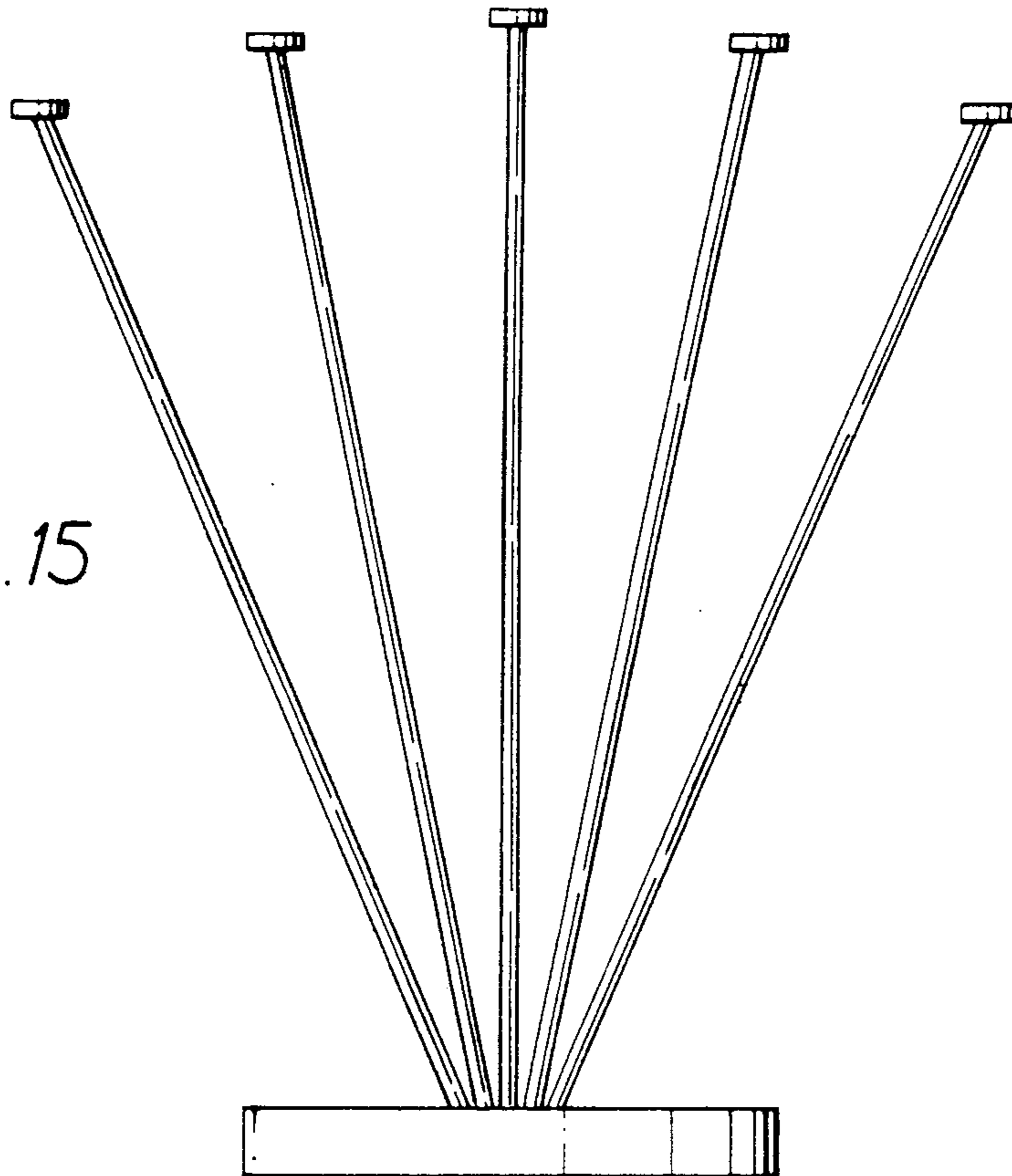


FIG. 16

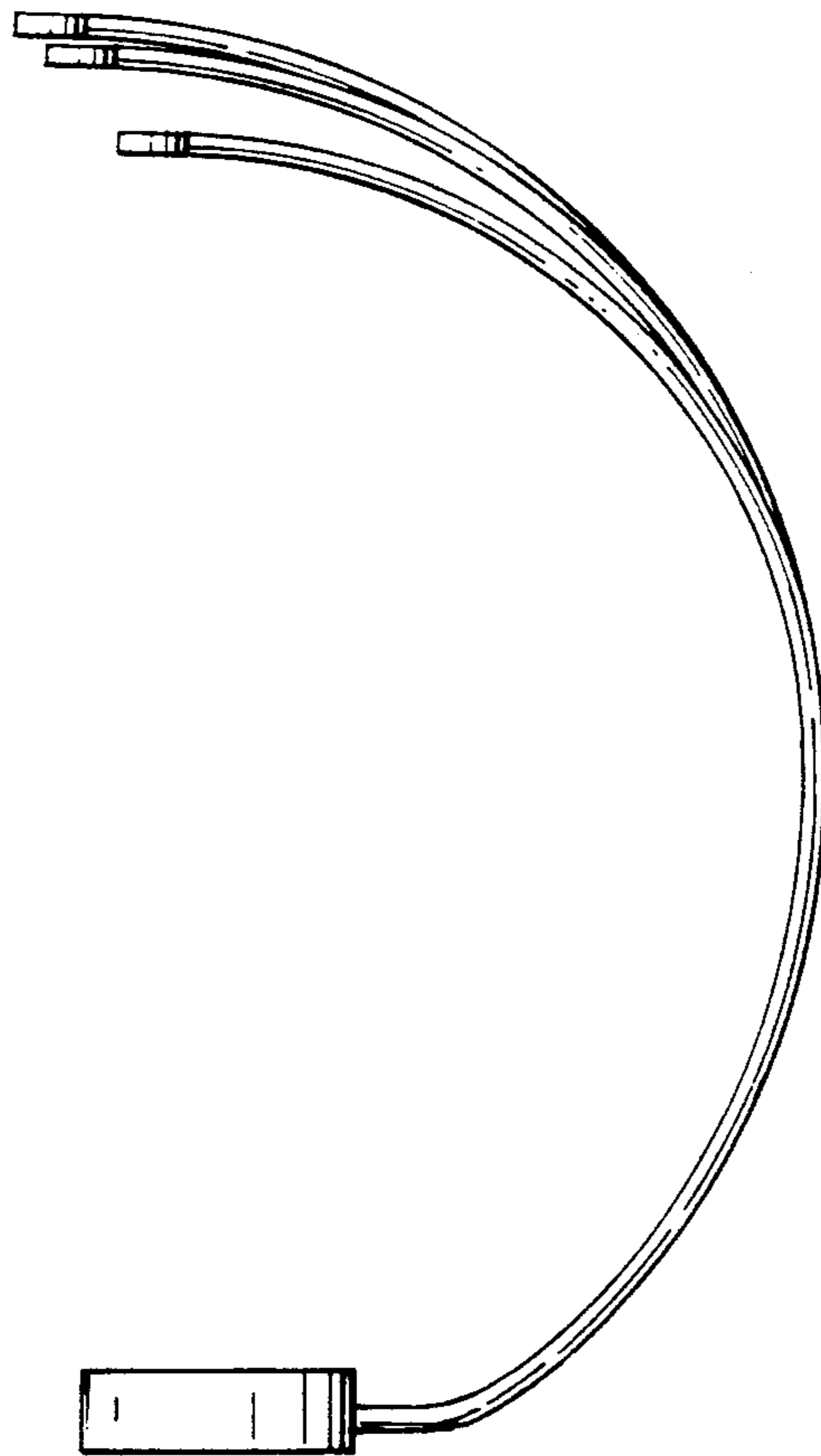


FIG. 17

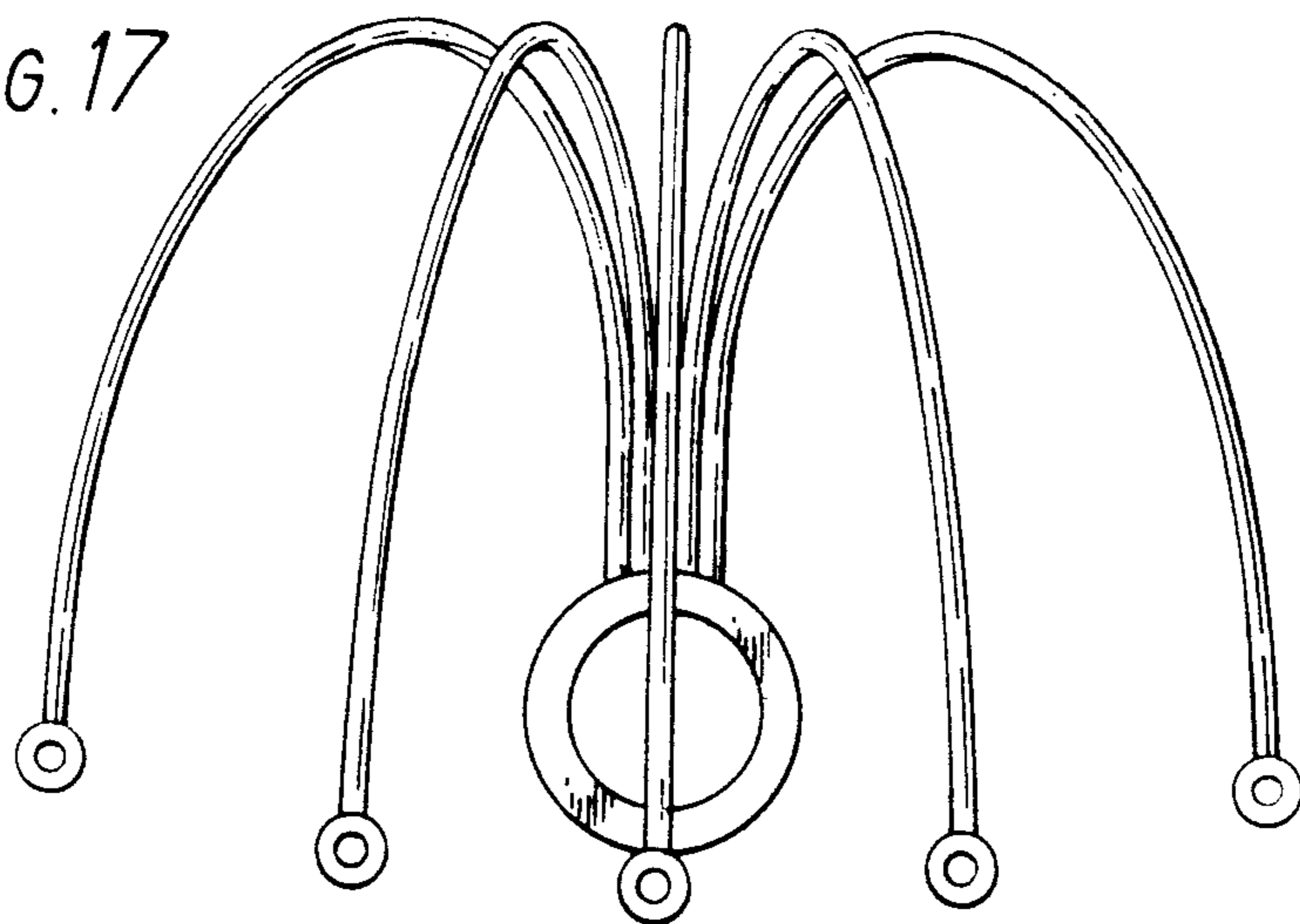


FIG. 18

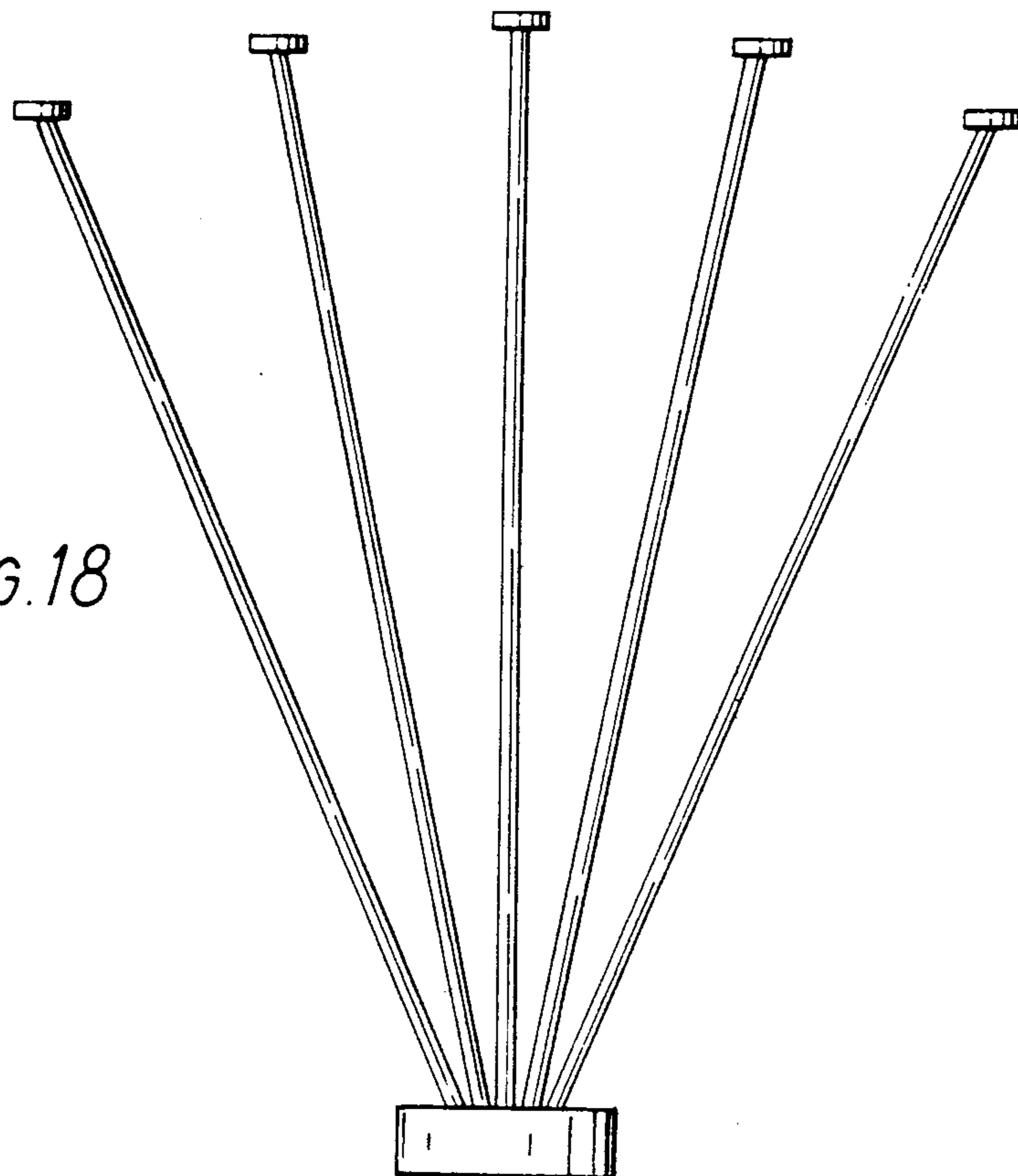
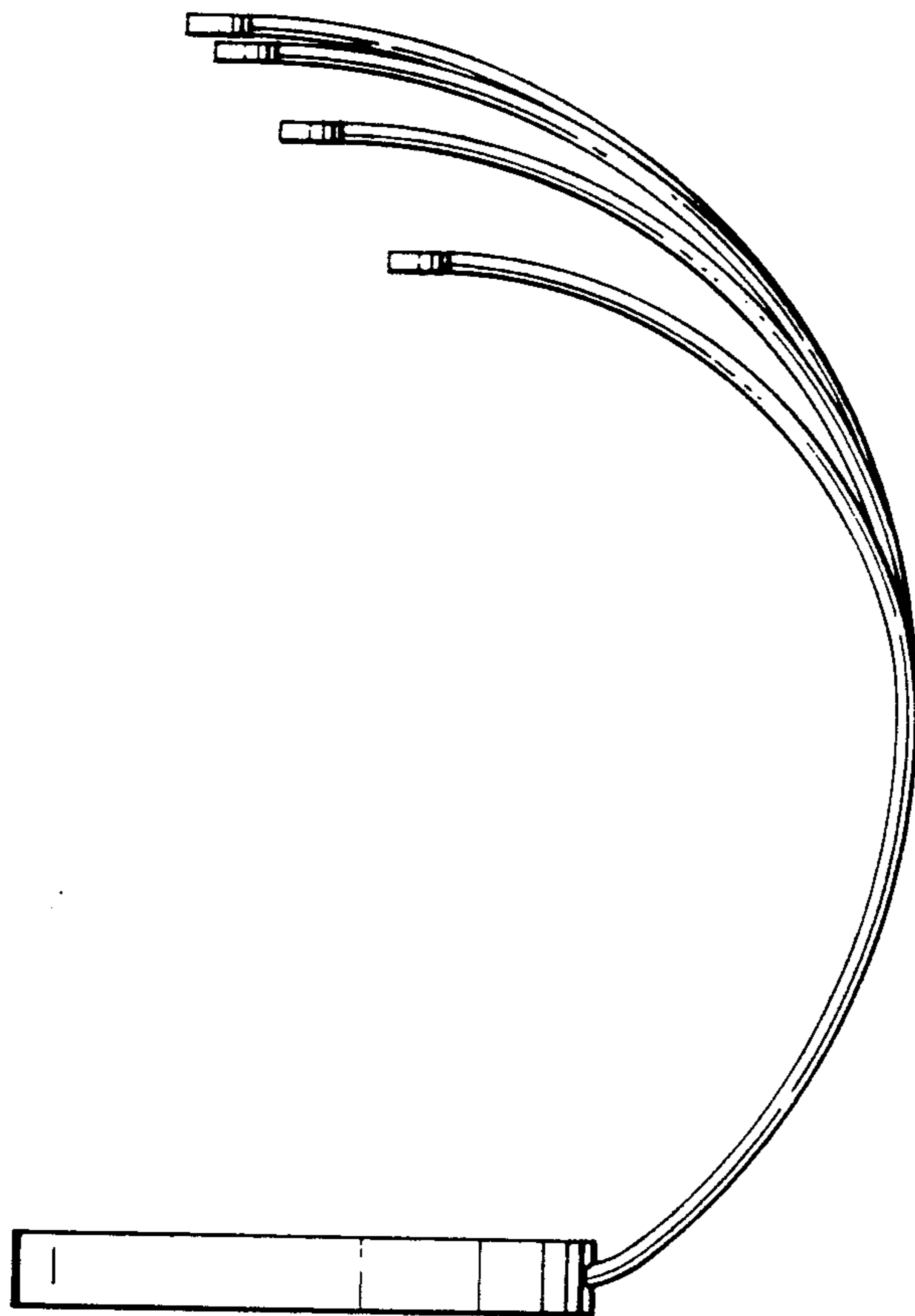


FIG. 19



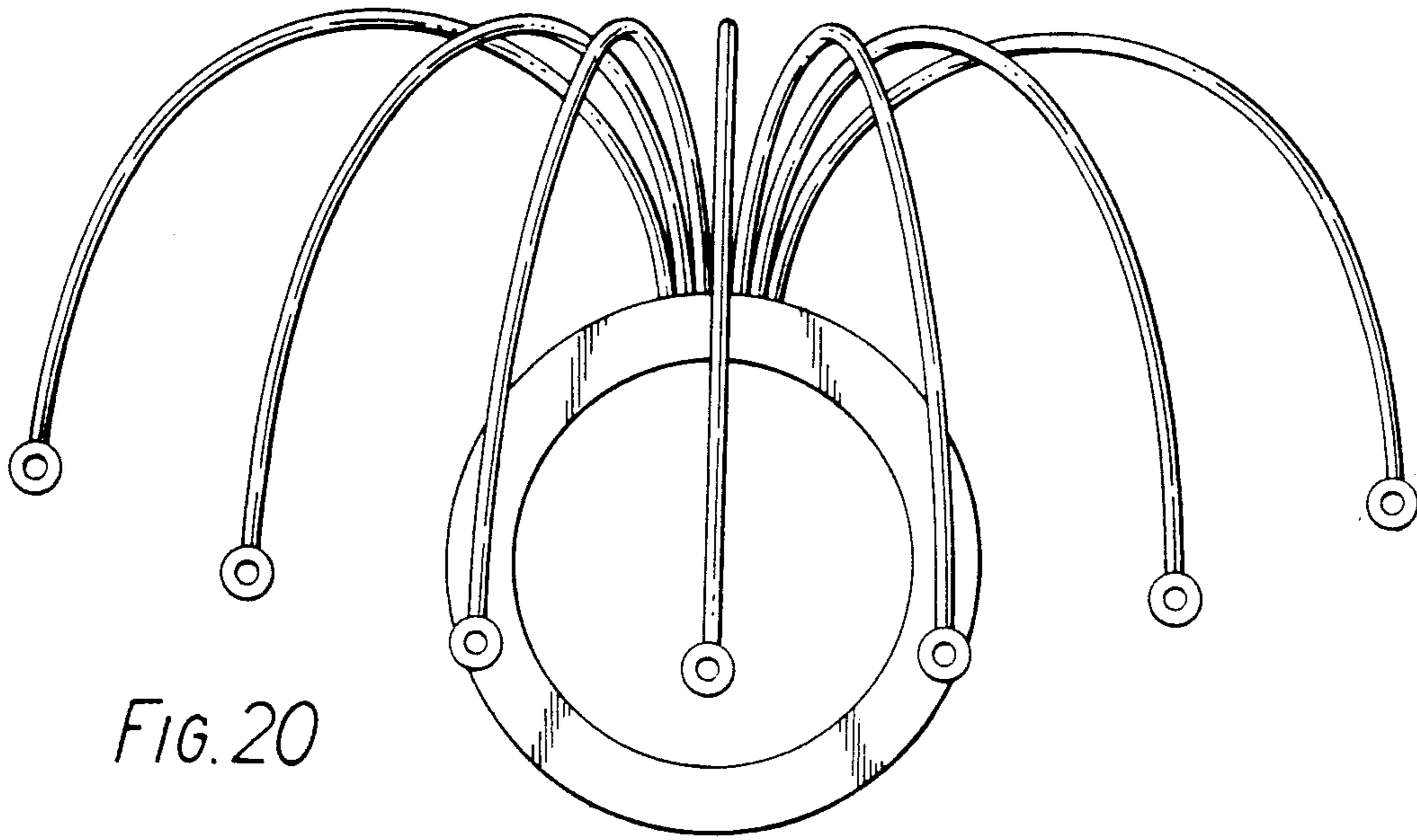


FIG. 20

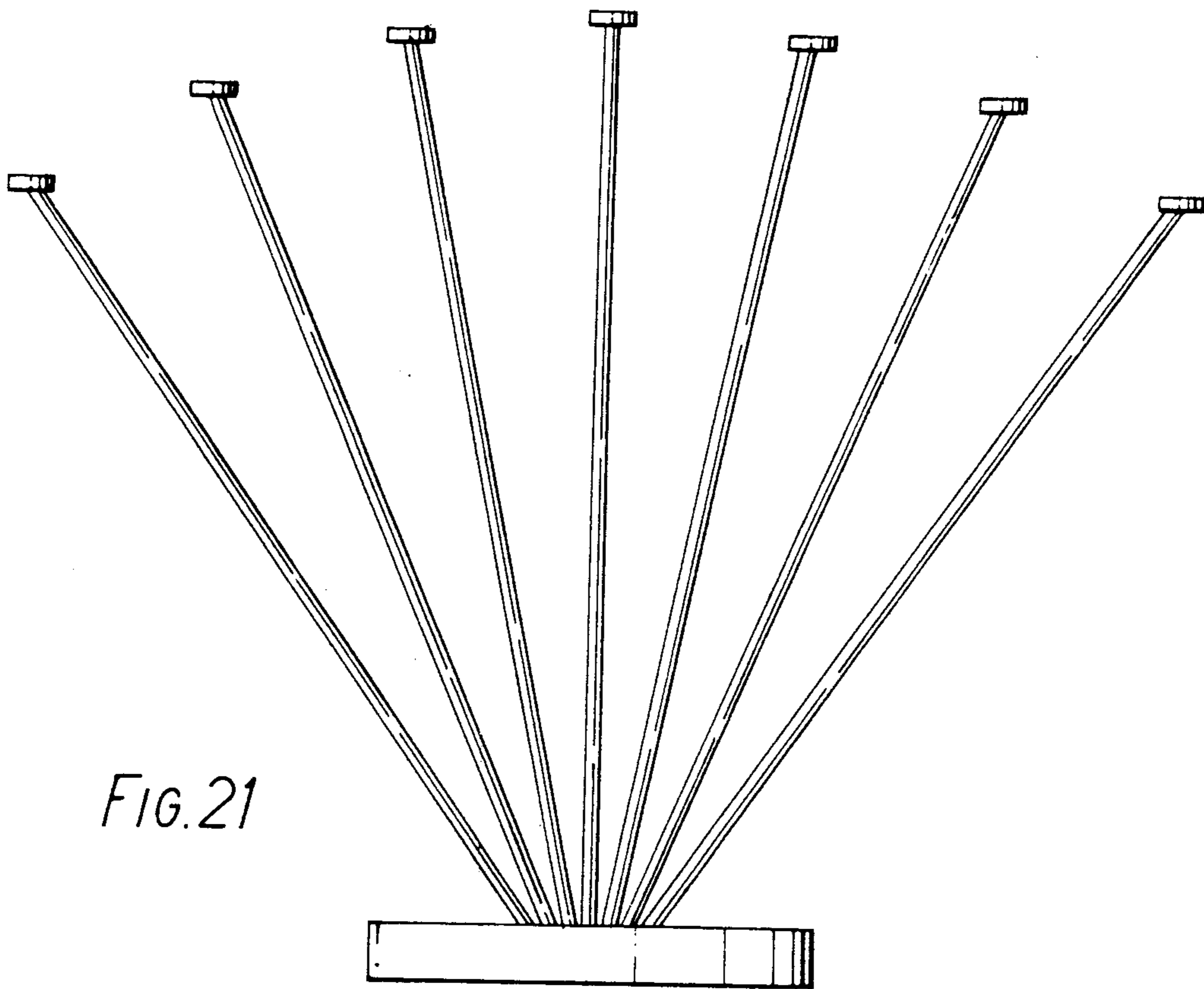
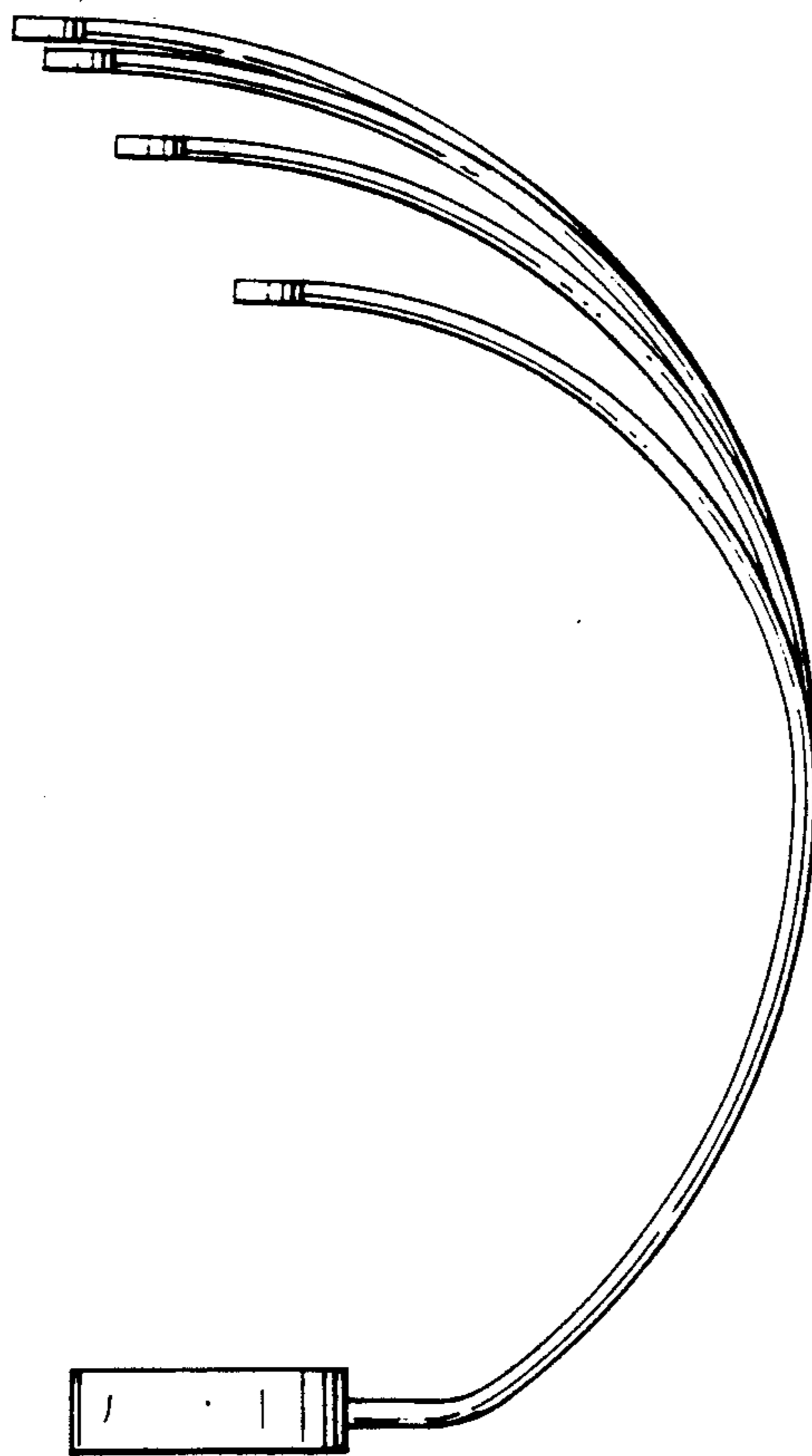


FIG. 21

FIG. 22



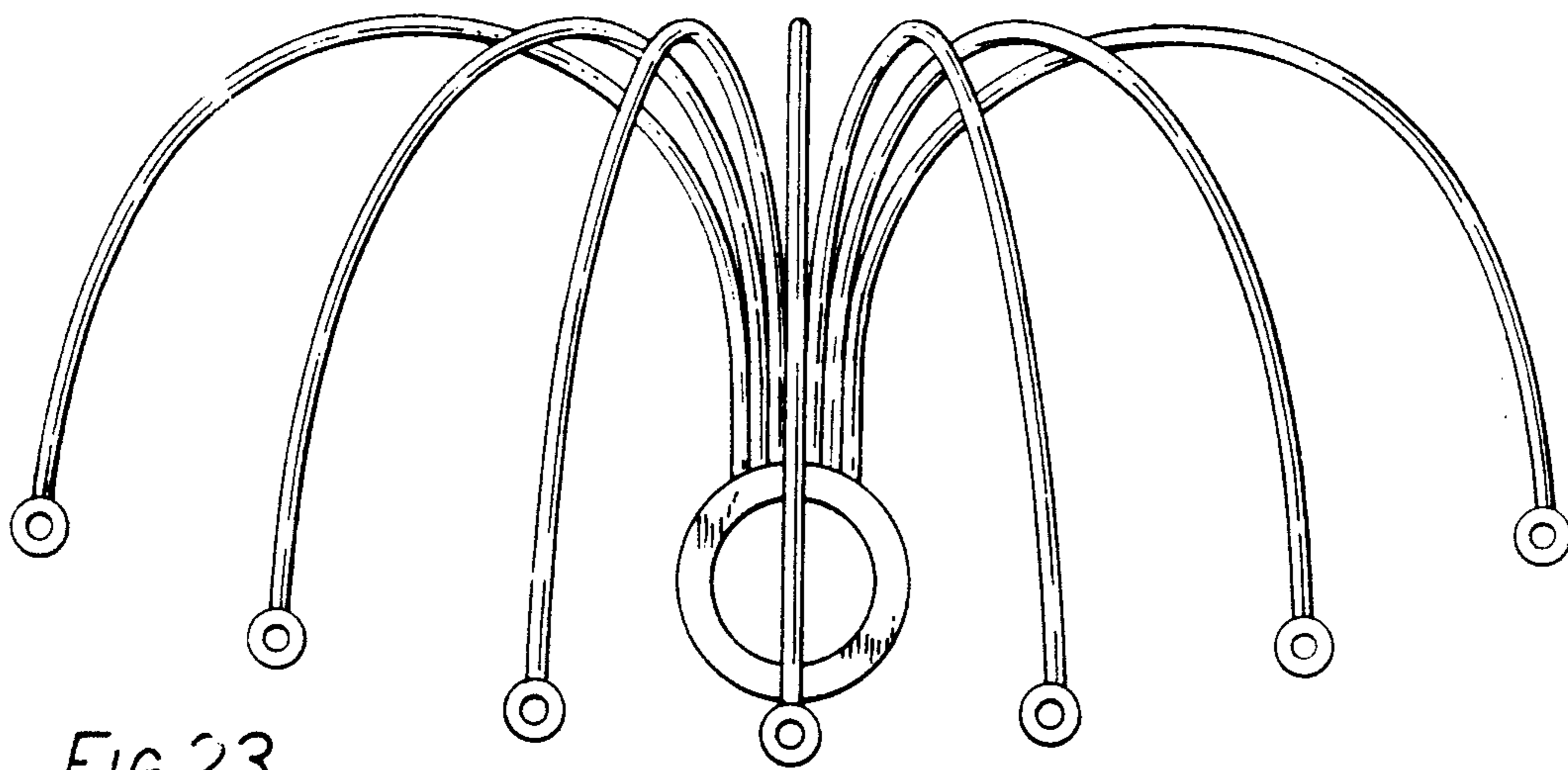


FIG. 23

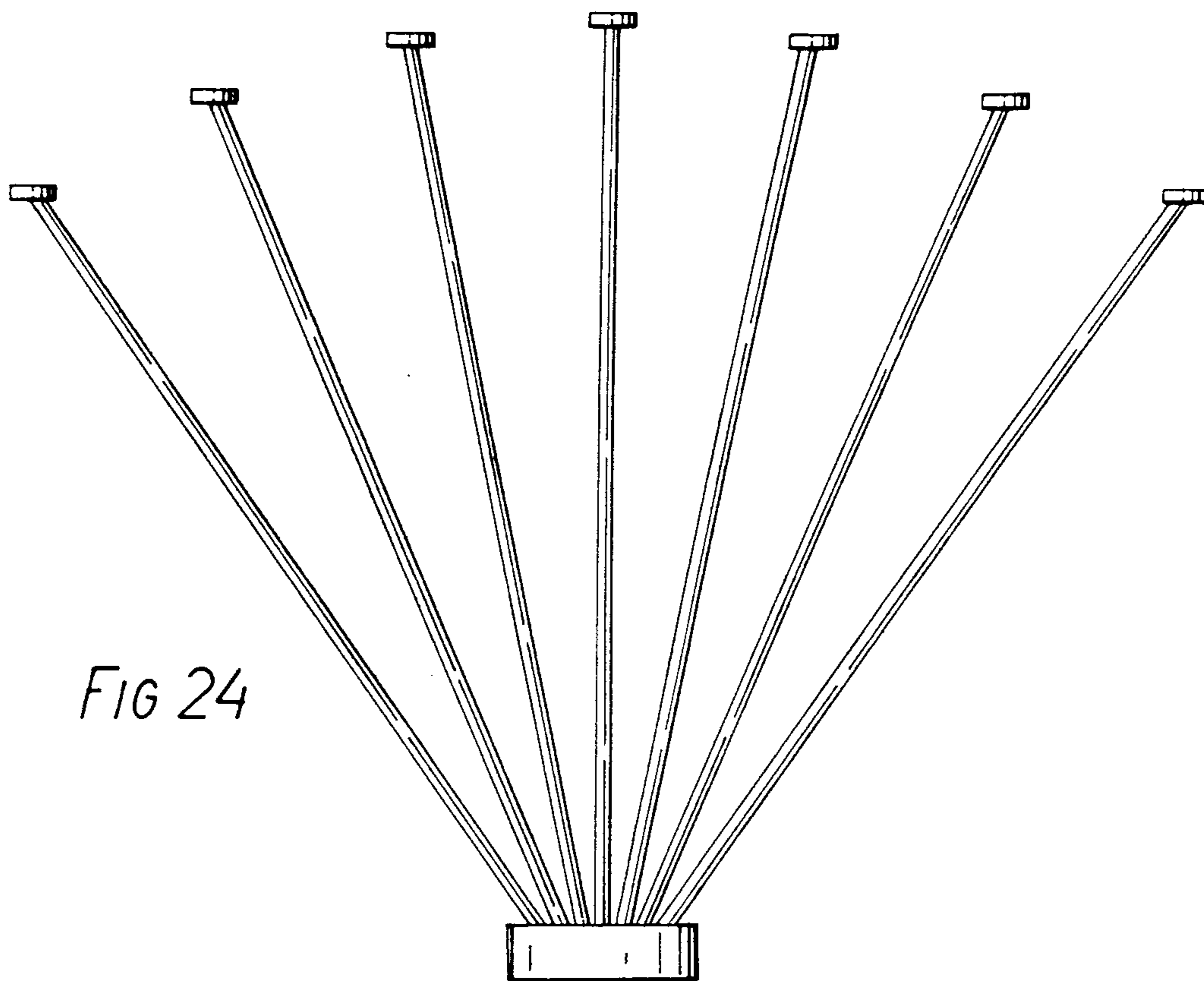


FIG 24