

[54] SLIDE KEY HOLDER

[76] Inventor: Youree Tyson, P.O. Box 491, Eunice, La. 70535

[**] Term: 14 Years

[21] Appl. No.: 695,561

[22] Filed: Jun. 11, 1976

[51] Int. Cl. D3-01

[52] U.S. Cl. D3/61

[58] Field of Search D87/8-8.4; D8/397-399; D23/47; 70/456 R-459; D3/61-65

[56] References Cited

U.S. PATENT DOCUMENTS

D. 155,997	11/1949	Gries	D8/398
D. 170,408	9/1953	Gries	D8/397
1,475,133	11/1923	Murray	D87/8.1
1,493,689	5/1924	Marcus	D87/8
1,772,374	2/1916	Leimer	D87/8

3,513,675	5/1970	Ryder, Jr. et al.	D87/8
3,863,477	2/1975	Klein	D87/8

Primary Examiner—George P. Word
Attorney, Agent, or Firm—John W. Malley

[57] CLAIM

The ornamental design for a slide key holder, as shown and described.

DESCRIPTION

FIG. 1 is a top plan view of a slide key holder showing my new design;
 FIG. 2 is an enlarged scale cross-sectional view taken along line 2—2 of FIG. 1;
 FIG. 3 is a front elevational view of an alternative embodiment of the slide key holder;
 FIG. 4 is an enlarged scale cross-sectional view taken along line 4—4 of FIG. 3;
 FIG. 5 is a front elevational view of another embodiment of the slide key holder showing my new design;
 FIG. 6 is an enlarged scale cross-sectional view taken along line 6—6 in FIG. 5.

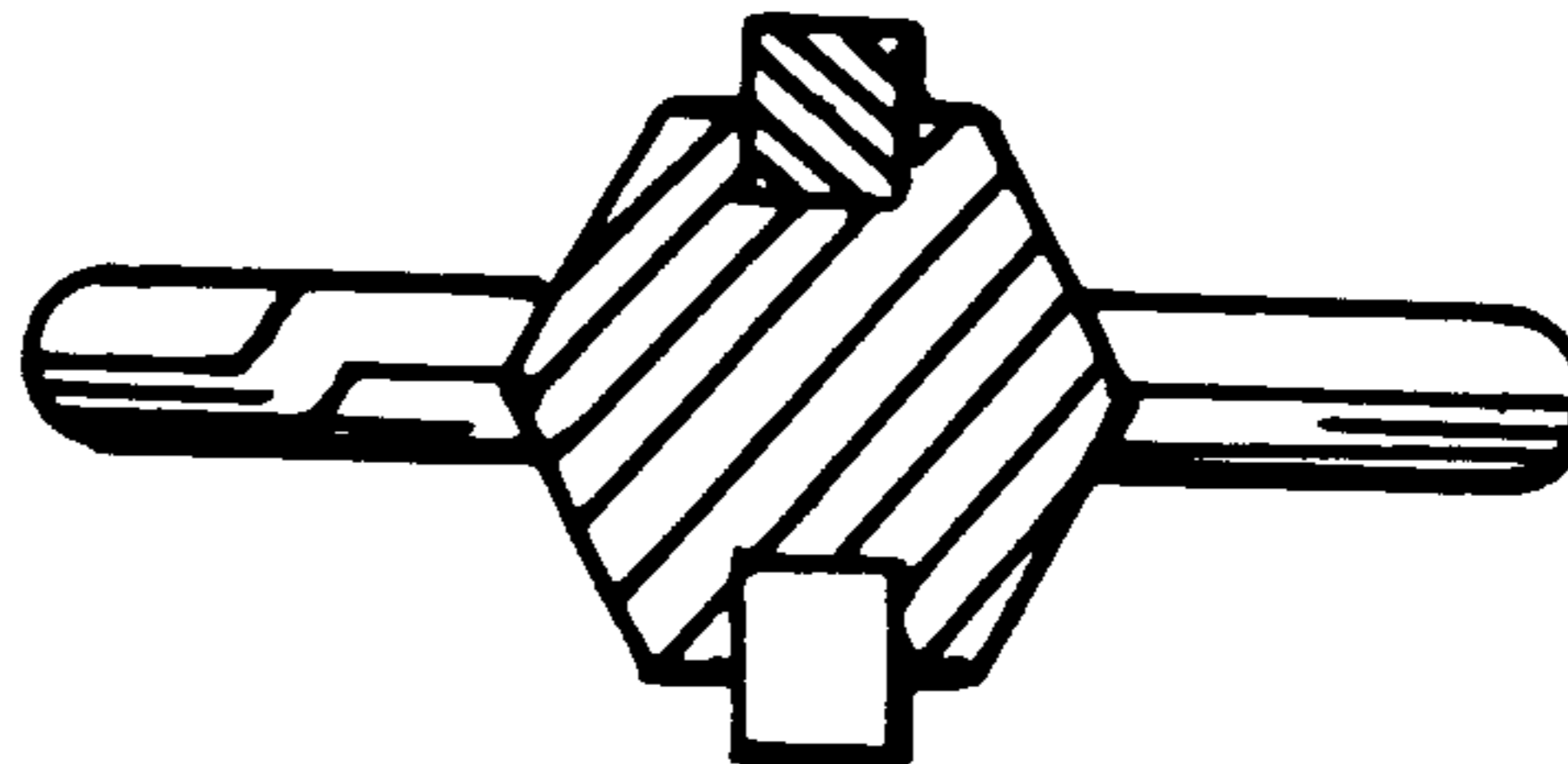
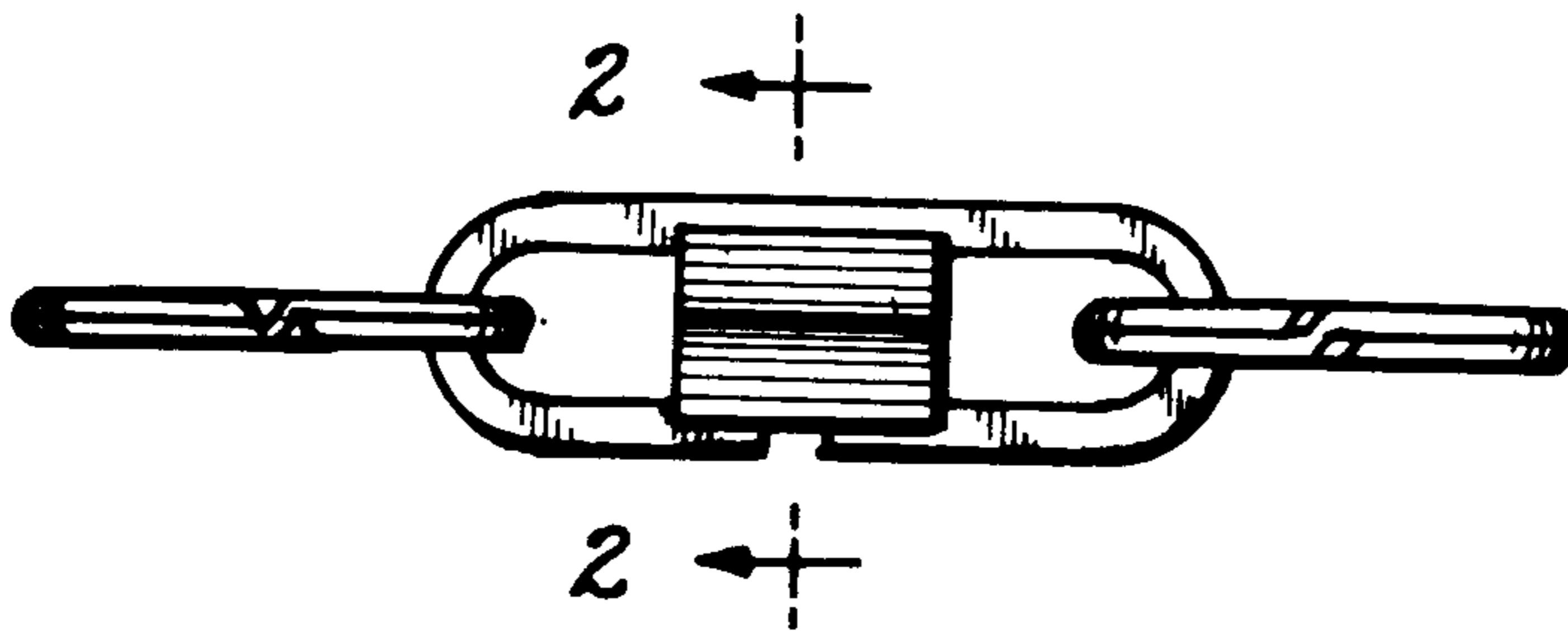


Fig. 1.

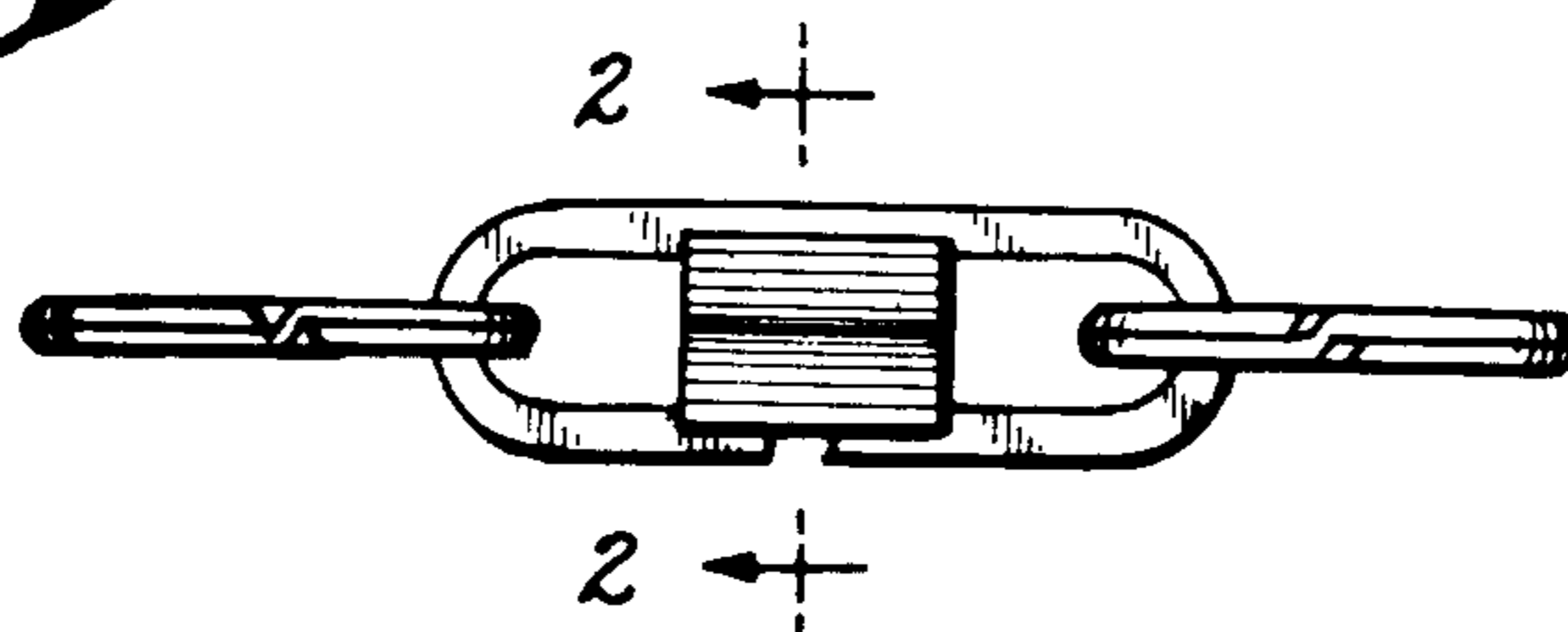


Fig. 3.

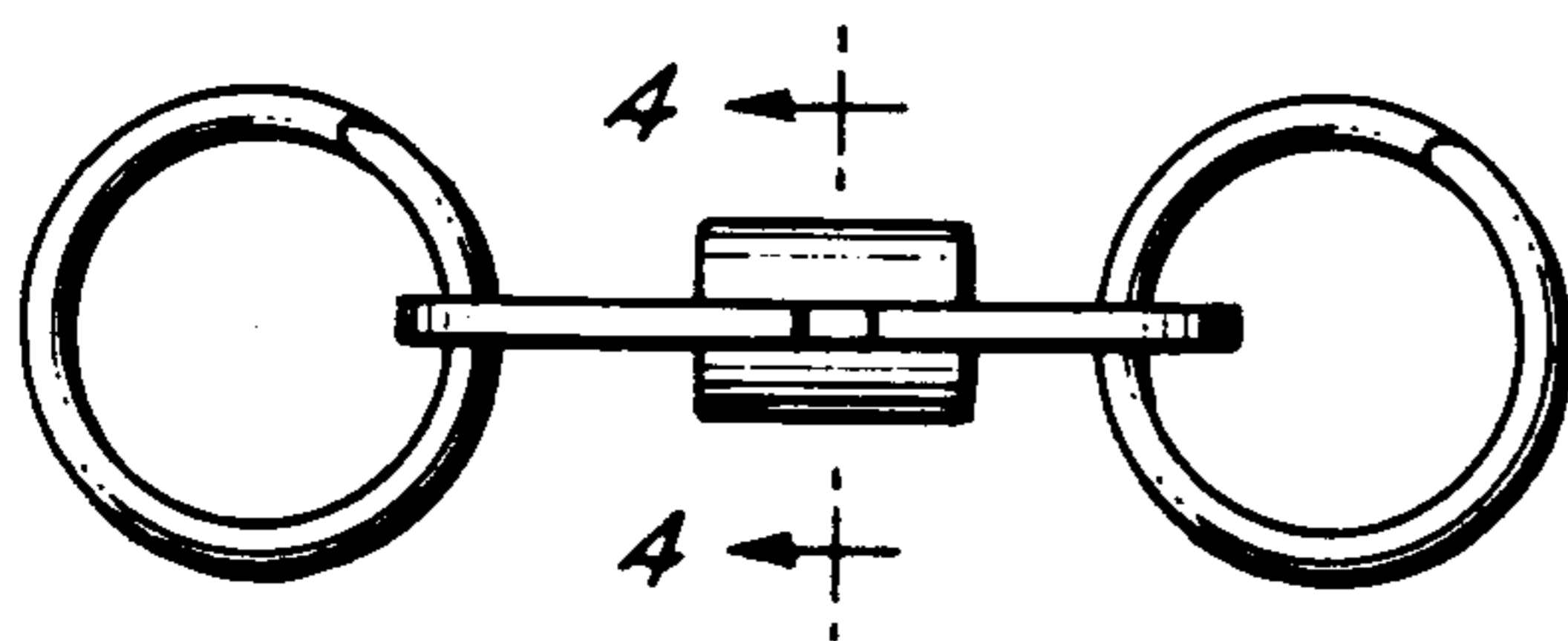


Fig. 5.

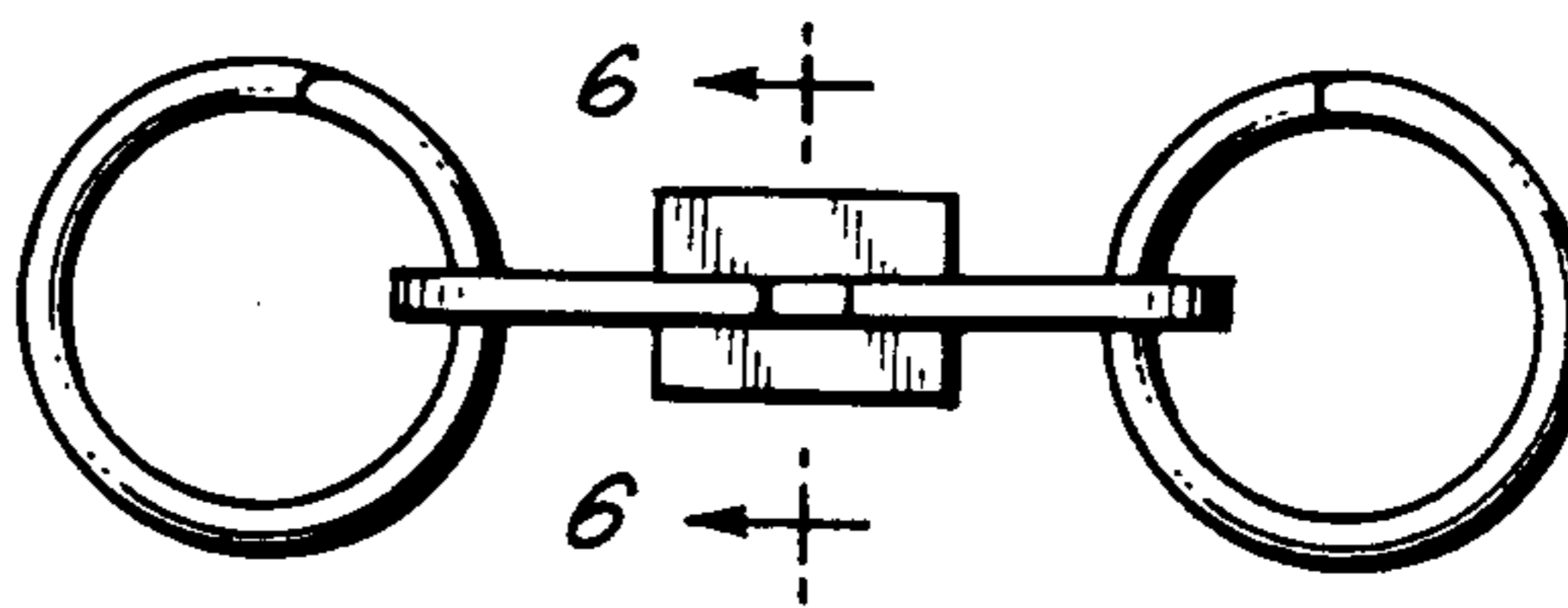


Fig. 2.

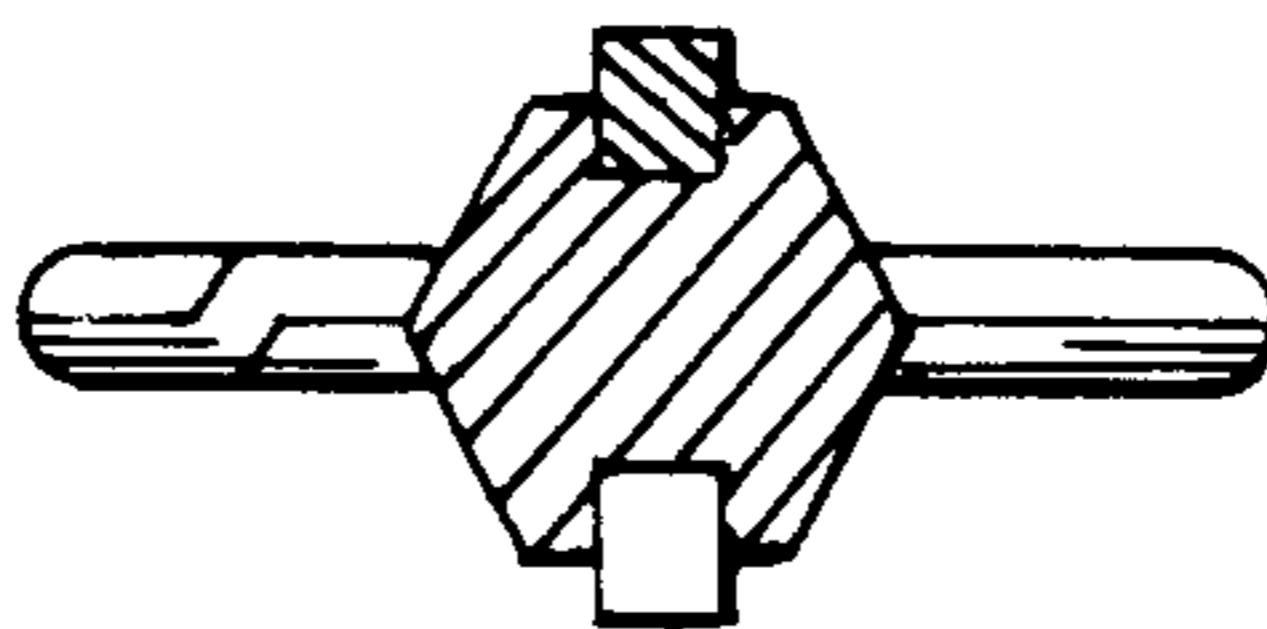


Fig. 4.

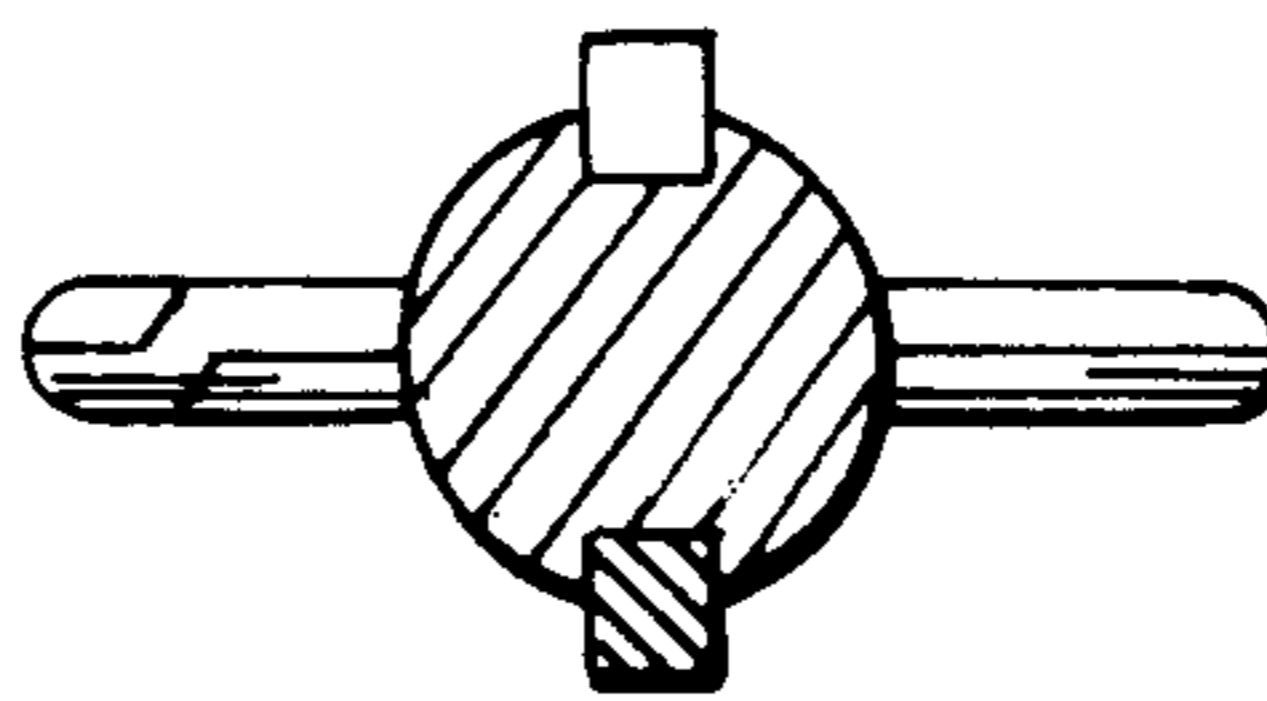


Fig. 6.

