

[54] **PET FEEDER**

[76] Inventor: **Charles E. Thayer**, 915 Pacific Ave., Suite 611, Tacoma, Wash. 98402

[**] Term: **14 Years**

[21] Appl. No.: **24,266**

[22] Filed: **Mar. 27, 1979**

[51] Int. Cl. **D30—03**

[52] U.S. Cl. **D30/13**

[58] Field of Search **D30/13-18; 119/55, 62**

3,301,219 1/1967 Hellekson 119/55

3,935,837 2/1976 Mulhern D30/16

4,147,133 4/1979 Molnar et al. 119/55

4,175,516 11/1979 Savage 119/62

Primary Examiner—James R. Largen
Attorney, Agent, or Firm—Dennis L. Mangrum

[57] **CLAIM**

The ornamental design for a pet feeder, substantially as shown.

DESCRIPTION

FIG. 1 is a perspective view taken from the top, front and left side of the pet feeder showing my design thereof;

FIG. 2 is a top plan view thereof;

FIG. 3 is a right side elevation view thereof;

FIG. 4 is a front elevation view thereof; and

FIG. 5 is a rear elevation view thereof.

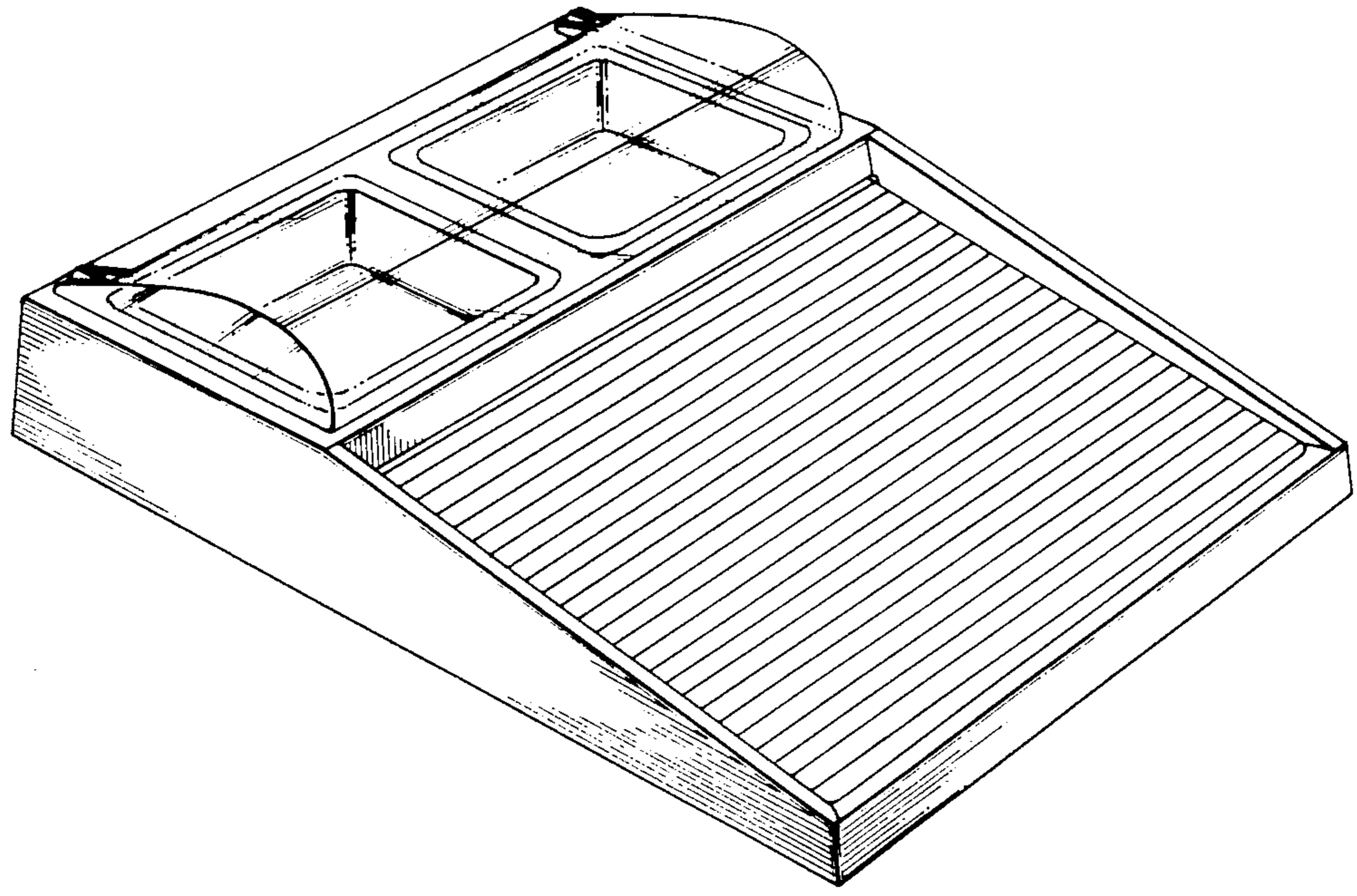
[56] **References Cited**

U.S. PATENT DOCUMENTS

D. 204,369 4/1966 Lepper D30/16

D. 236,012 7/1975 Crawford D30/13

3,121,419 2/1964 Gillespie 119/61 X



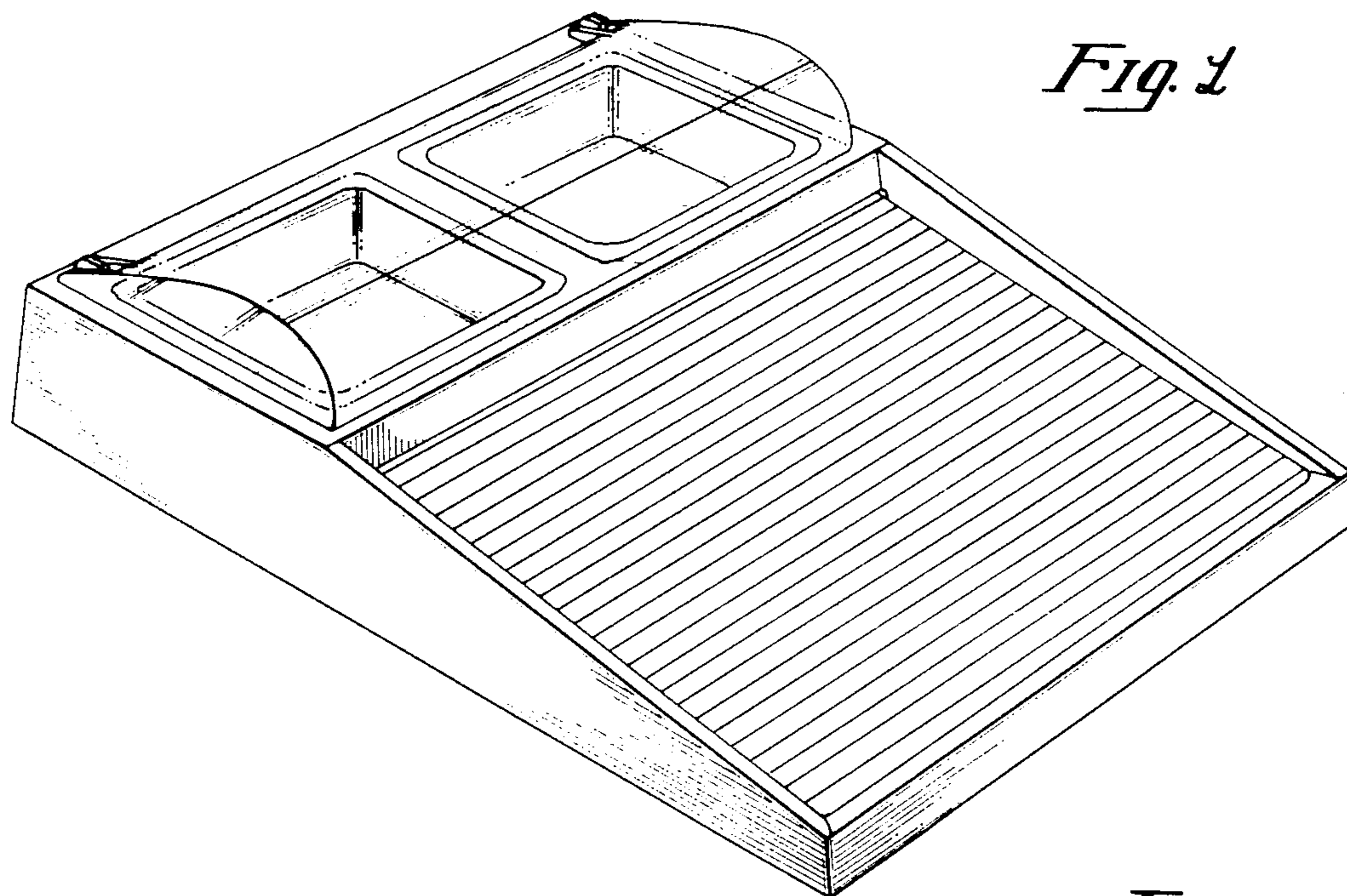


Fig. 1

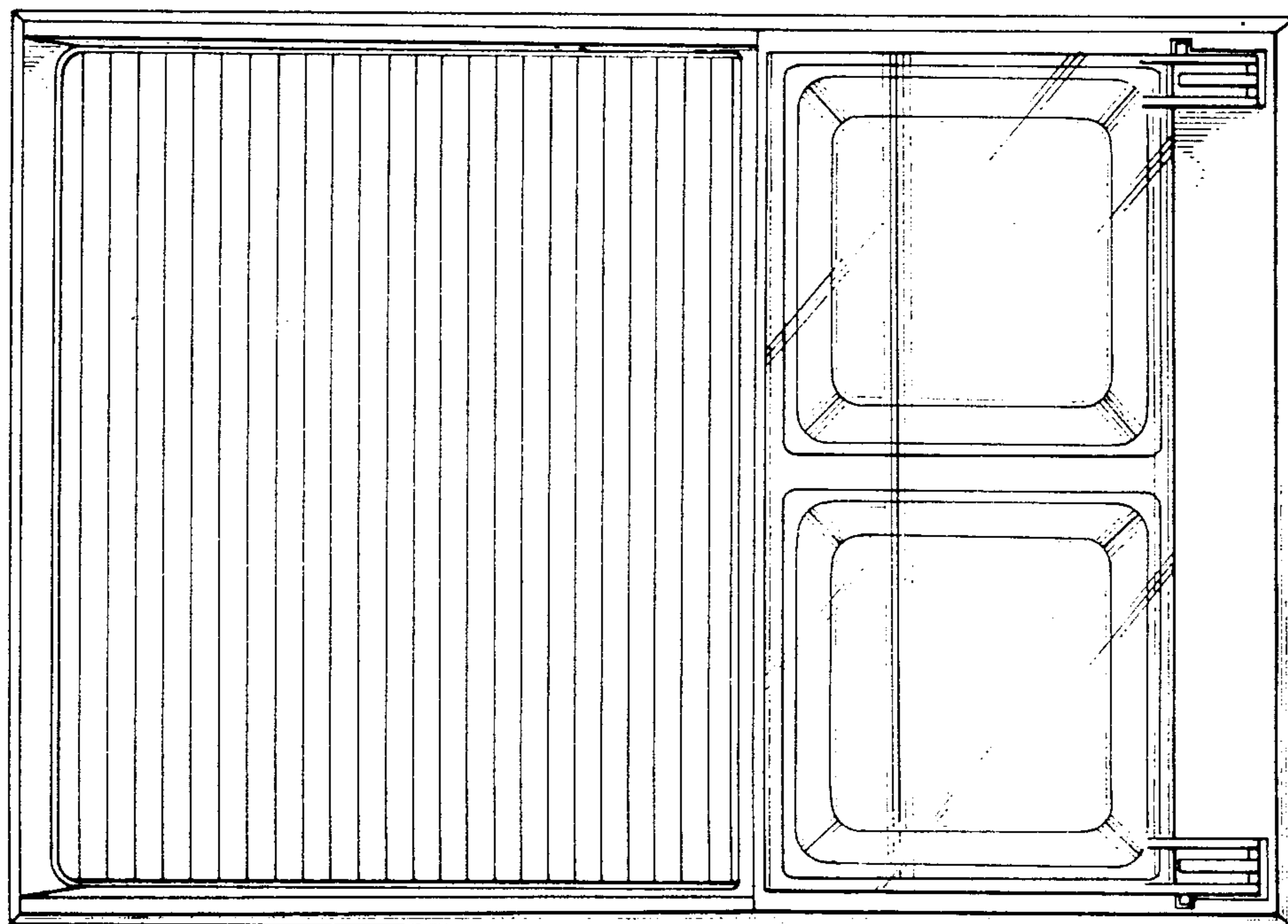


Fig. 2

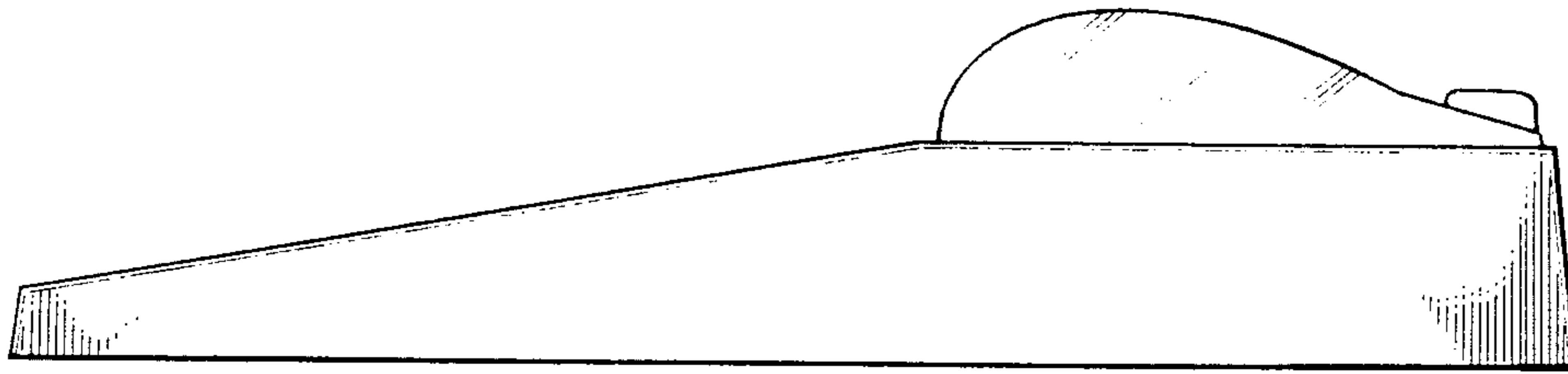


Fig. 3

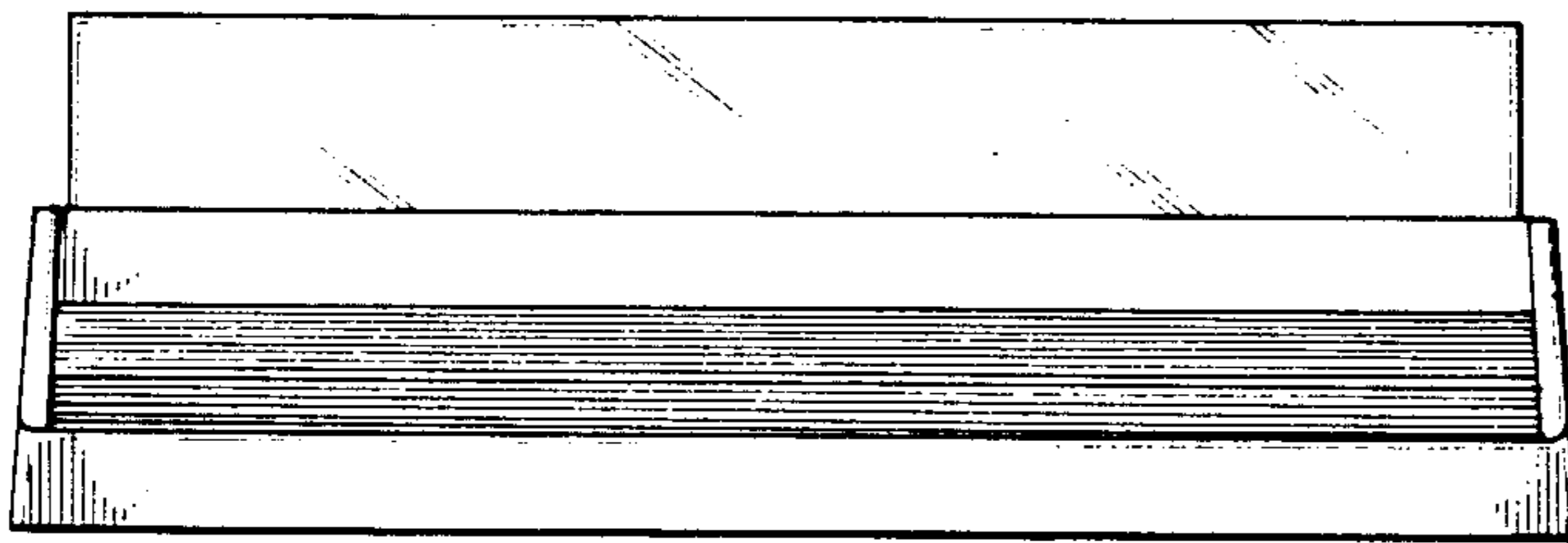


Fig. 4

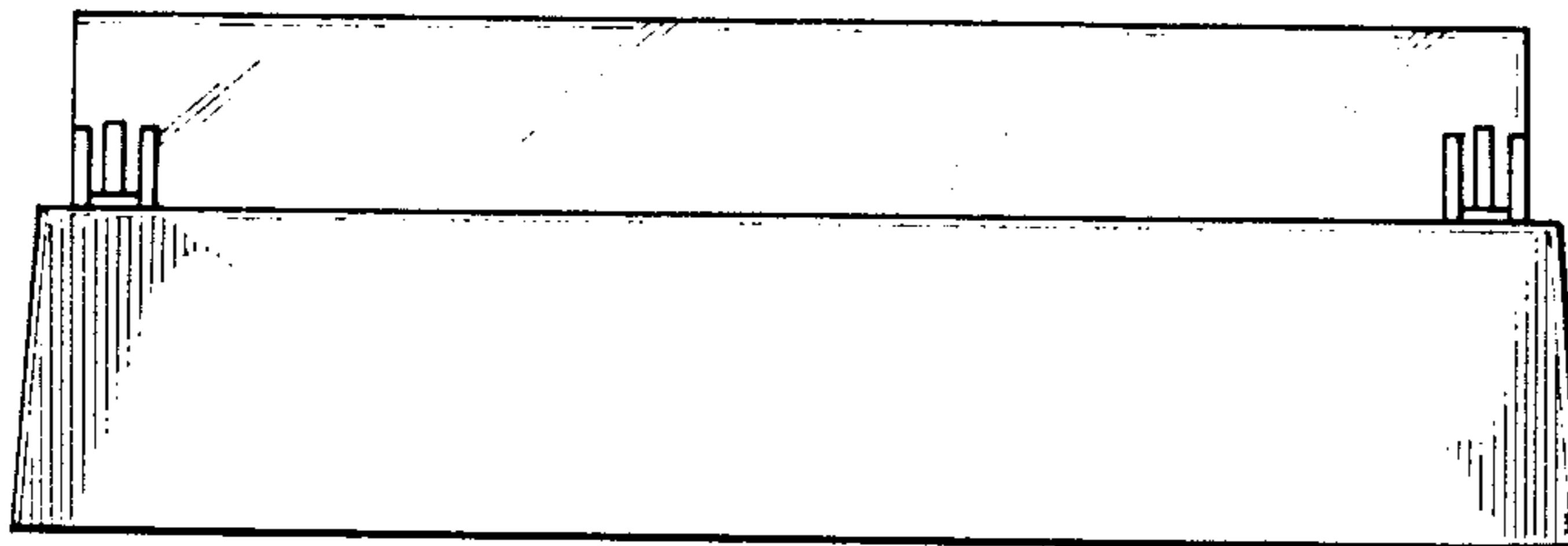


Fig. 5