

[54] POOL TABLE

[75] Inventor: William D. Moore, High Point, N.C.

[73] Assignee: Brunswick Corporation, Skokie, Ill.

[**] Term: 14 Years

[21] Appl. No.: 966,959

[22] Filed: Dec. 6, 1978

[51] Int. Cl. D21-01

[52] U.S. Cl. D21/232

[58] Field of Search D21/232; 273/3 R

[56] References Cited

U.S. PATENT DOCUMENTS

156,415 11/1874 Elmsley 273/3 R

OTHER PUBLICATIONS

Furniture Retailer, Jul. 1968, second cover, Brunswick Advt., lower right, "Limited IX", Table.

Primary Examiner—Melvin B. Feifer
Attorney, Agent, or Firm—John G. Heimovics

[57] CLAIM

The ornamental design of a pool table, as shown and described.

DESCRIPTION

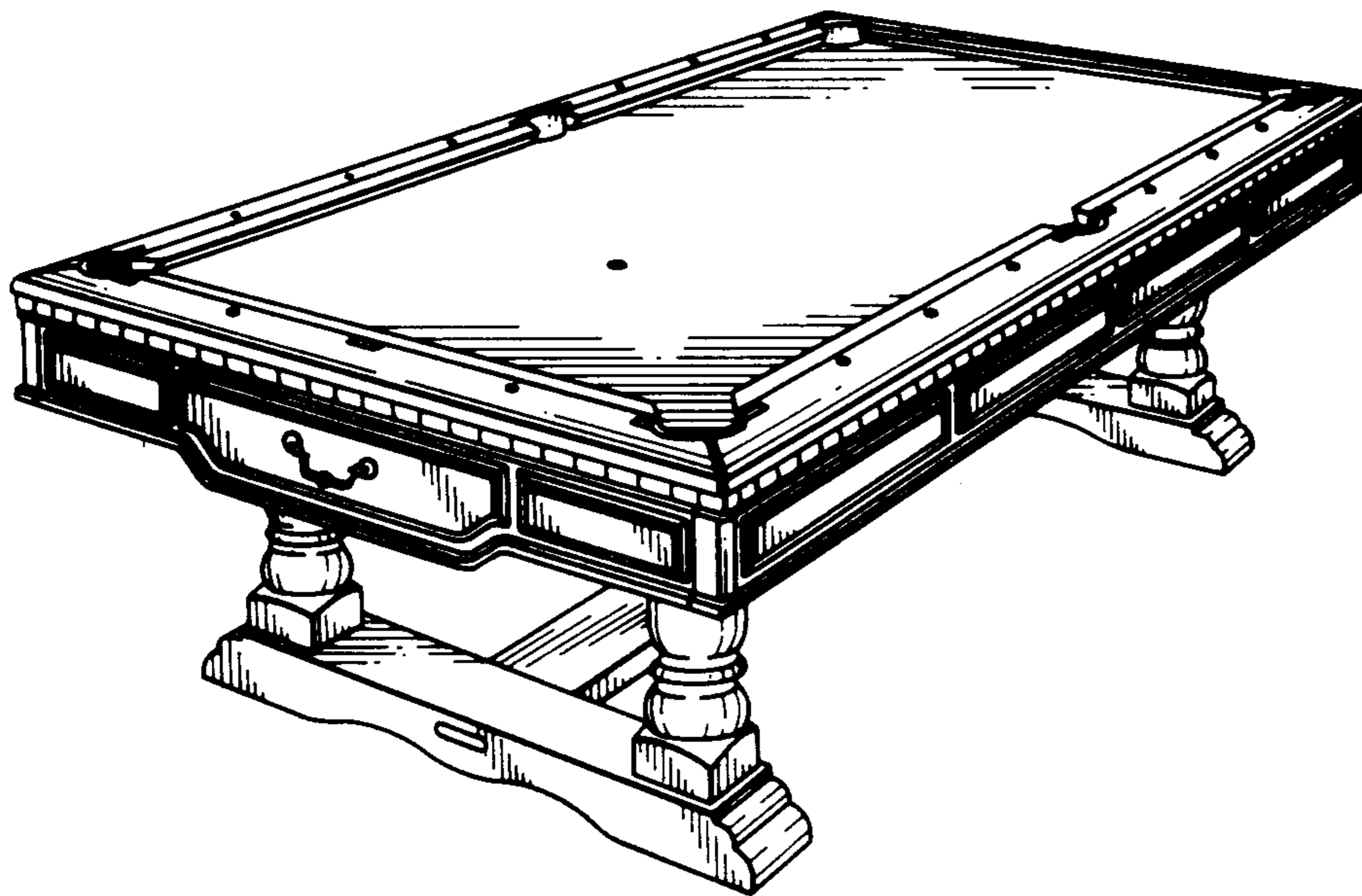
FIG. 1 is a perspective view of the pool table showing my new design;

FIG. 2 is a top plan view thereof;

FIG. 3 is a side elevation view thereof;

FIG. 4 is an end elevation view thereof; and,

FIG. 5 is a bottom plan view thereof.



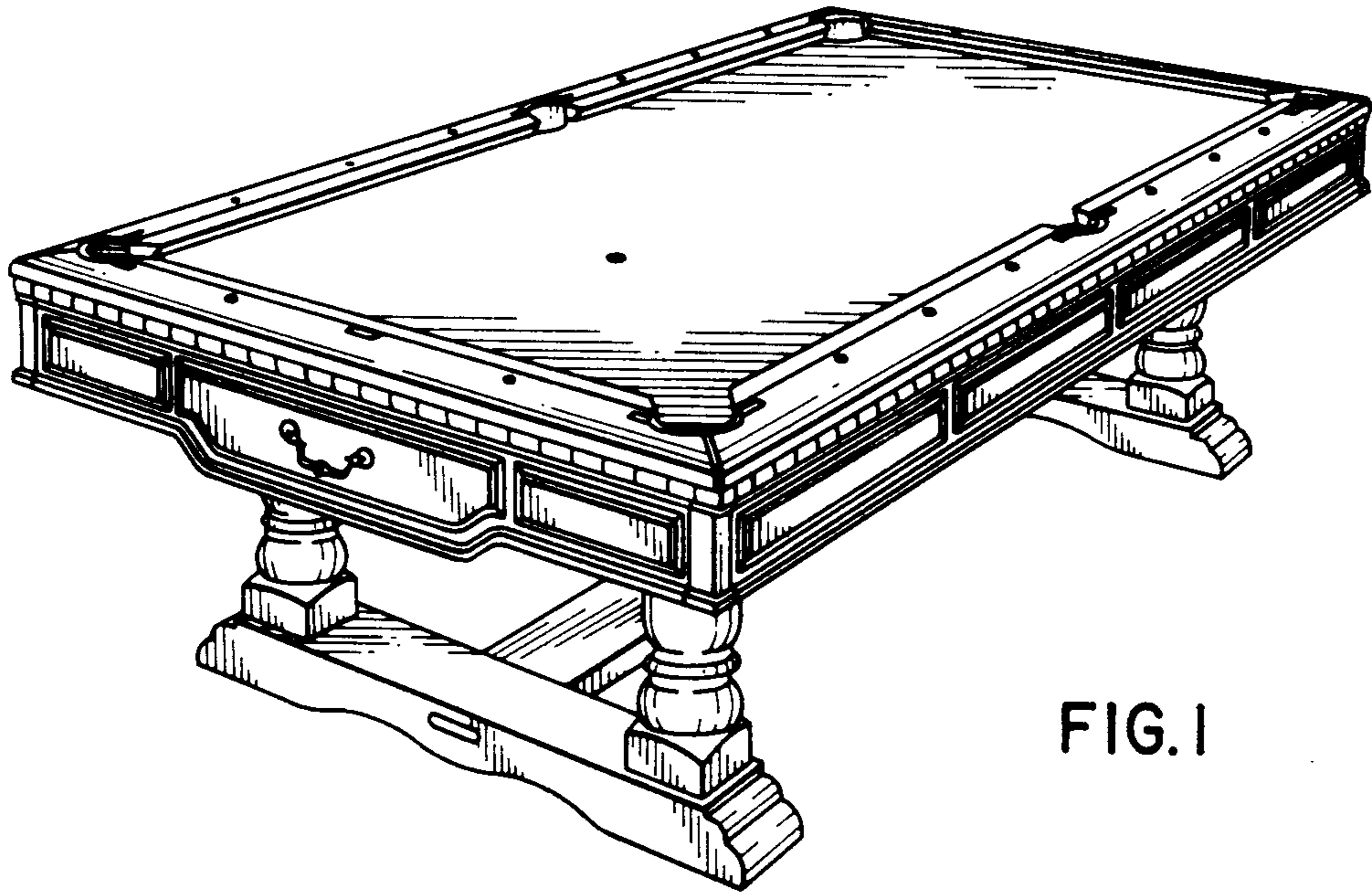


FIG. 1

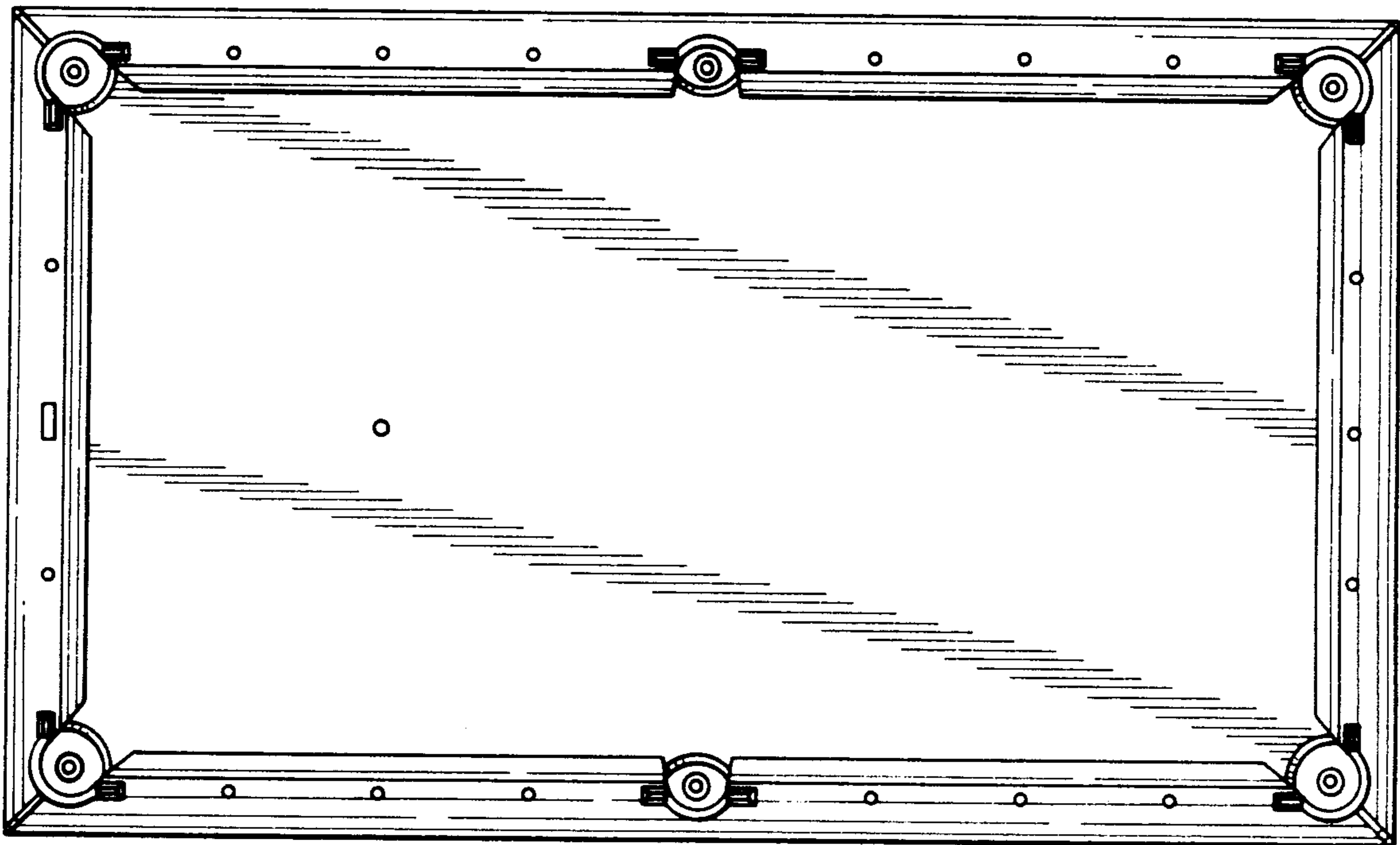


FIG. 2

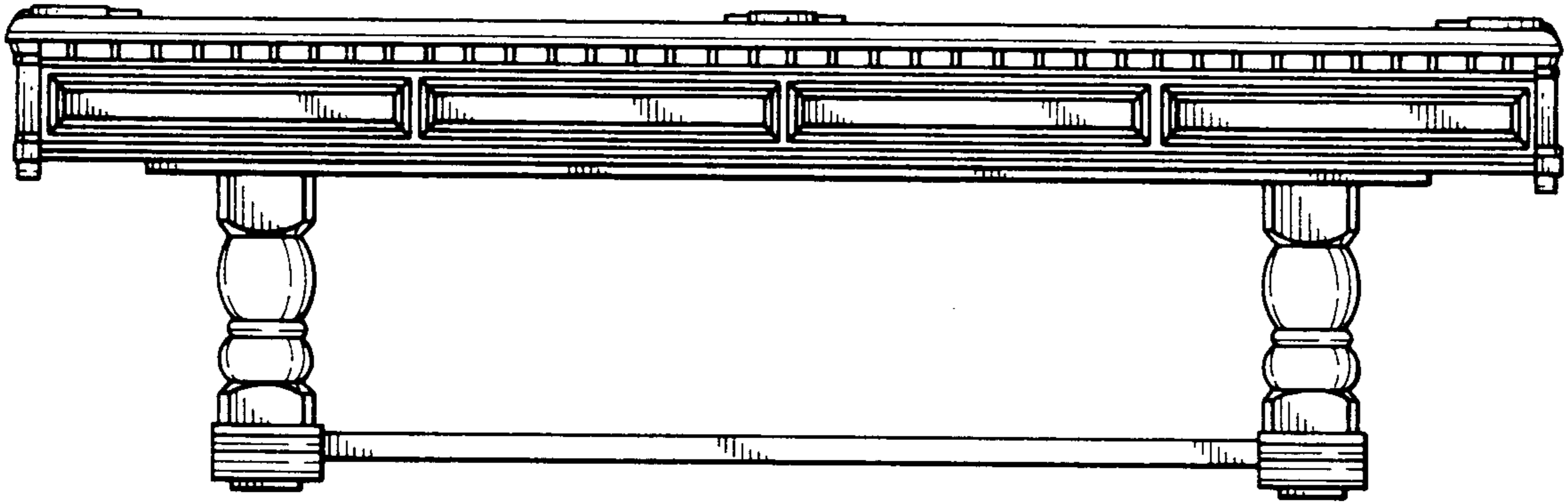


FIG. 3

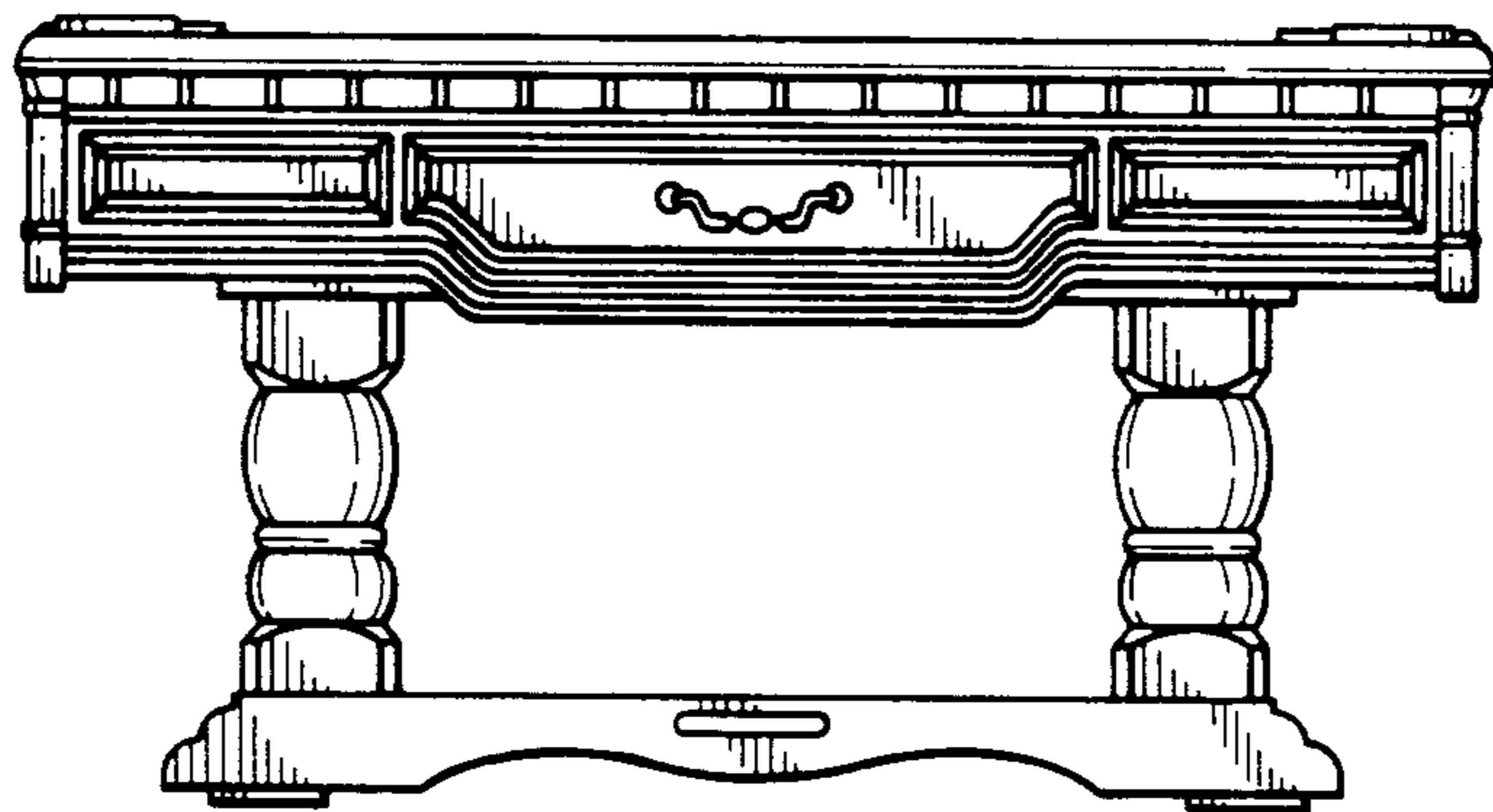


FIG. 4

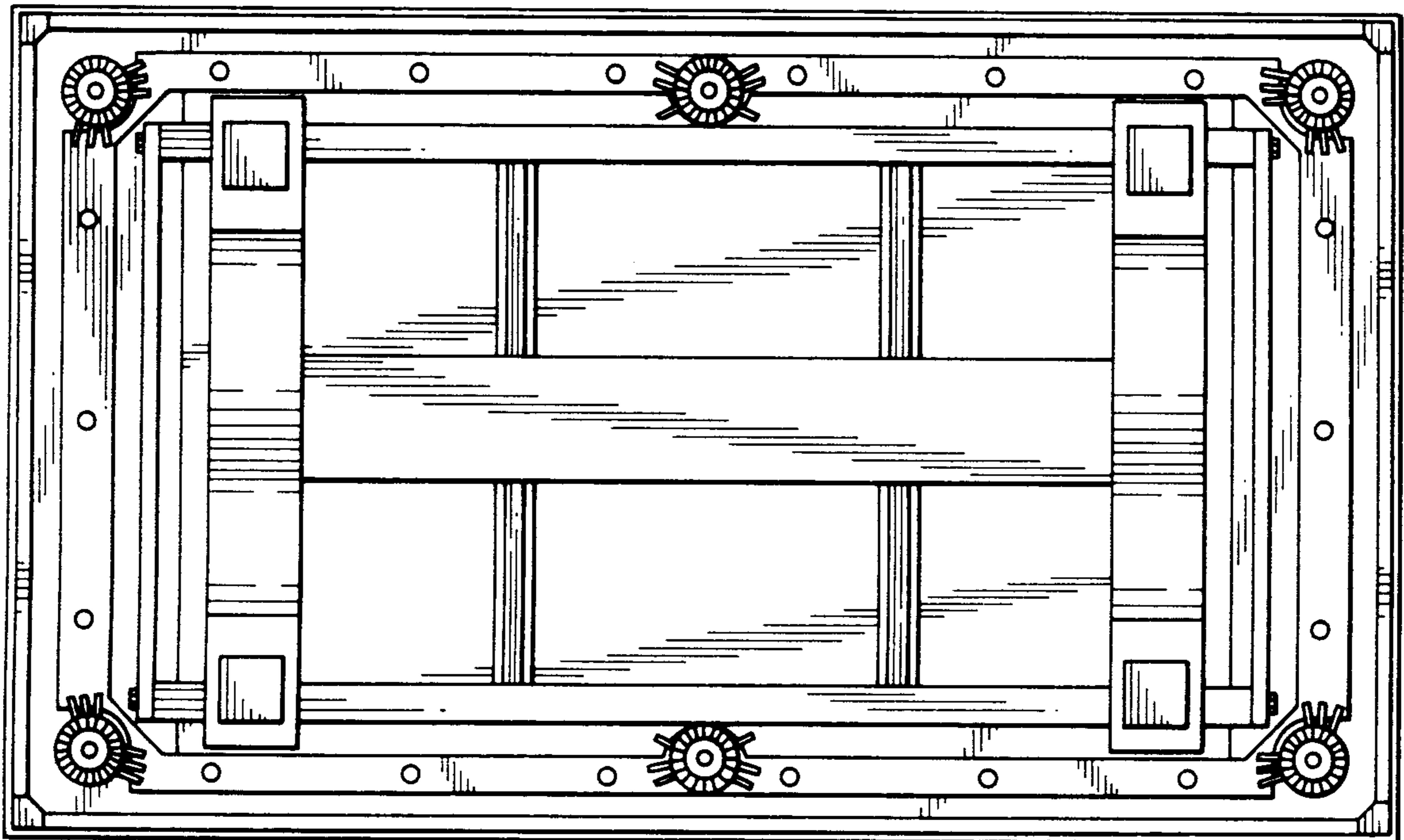


FIG. 5