

[54] SIMULATIVE TOY VEHICLE

[75] Inventors: Mel Appel, Nine Nottingham Rd., Livingston, N.J. 07039; George Kress, Scotch Plains; Paul Means, Basking Ridge, both of N.J.

[73] Assignee: Mel Appel, Livingston, N.J.

[**] Term: 14 Years

[21] Appl. No.: 948,638

[22] Filed: Oct. 4, 1978

[51] Int. Cl. D21-01

[52] U.S. Cl. D21/76

[58] Field of Search D21/76, 78, 80, 128, D21/134, 137; 280/1.11 R, 1.13, 1.202, 1.208, 1.22, 200, 481, 87.01; D12/108, 112; D2/309, 310

[56] References Cited

U.S. PATENT DOCUMENTS

D. 58,255 6/1921 Phillips D21/80

D. 247,136 2/1978 Mizoguchi D2/309

OTHER PUBLICATIONS

Playthings, 3-1962, p. 193, "Mr. Shoe".
Wards Cat. S+S, 1963, p. 460, Item "N" Shoe.
Boot + Shoe Recorder, 9-1967, p. 69, Shoe at left side of page.

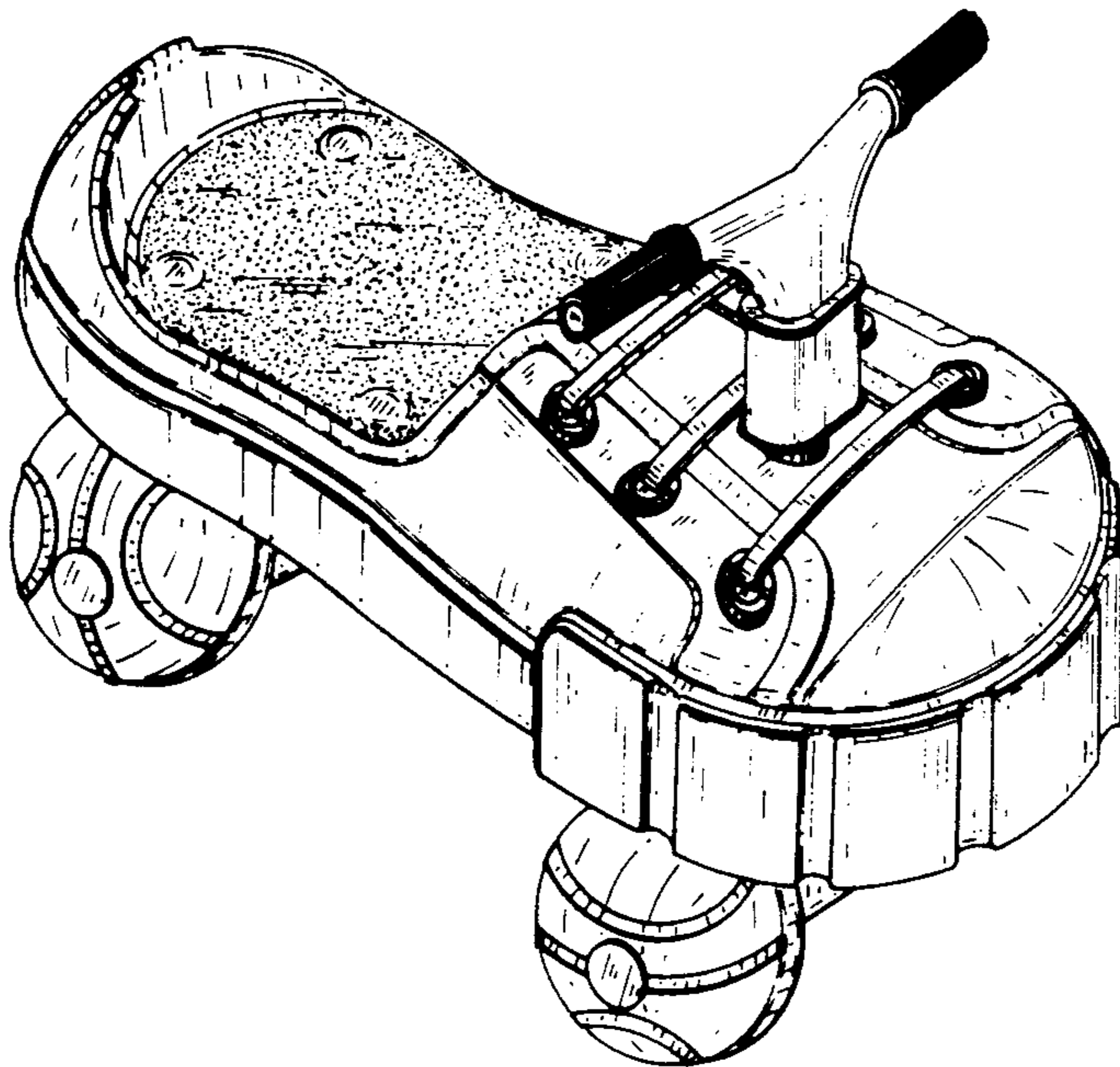
Primary Examiner—Charles A. Rademaker
Attorney, Agent, or Firm—Lawrence I. Lerner

[57] CLAIM

The ornamental design for a simulative toy vehicle, substantially as shown and described.

DESCRIPTION

FIG. 1 is a perspective view of a simulative toy vehicle showing our new design;
FIG. 2 is a right side elevational view thereof, the side opposite being substantially a mirror image;
FIG. 3 is a front elevational view thereof;
FIG. 4 is a rear elevational view thereof;
FIG. 5 is a top plan view thereof; and
FIG. 6 is a bottom plan thereof view.



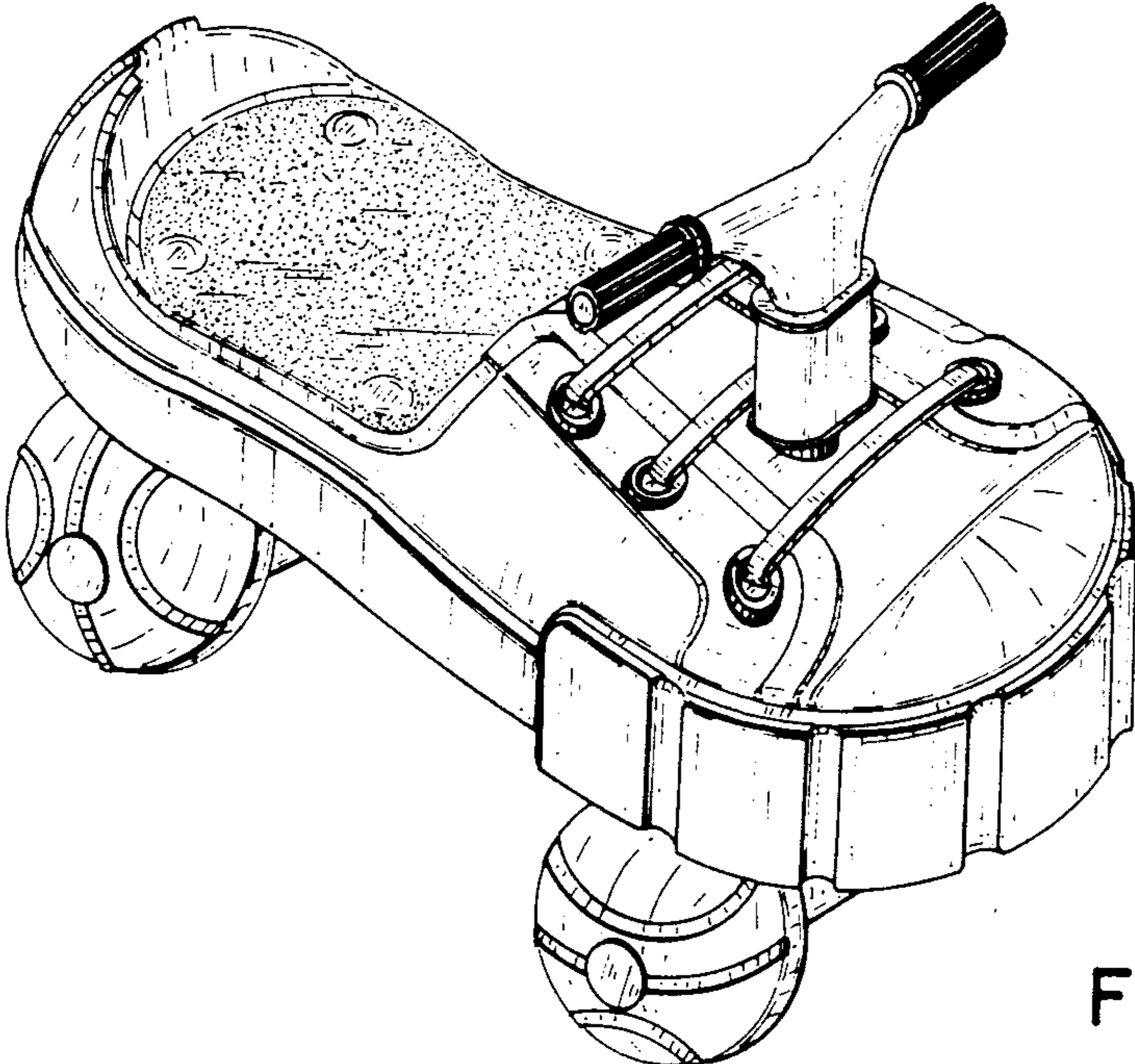


FIG. 1

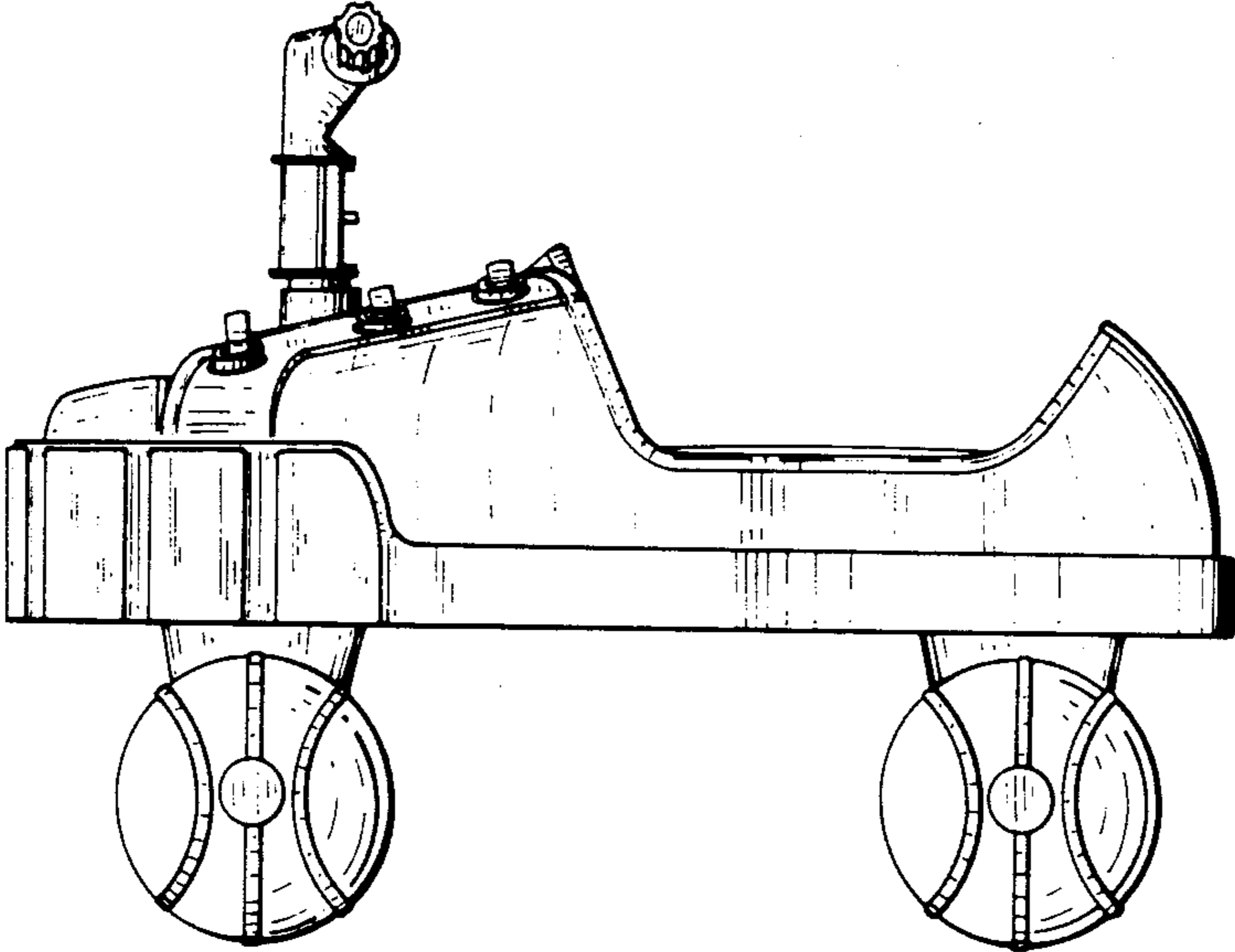


FIG. 2

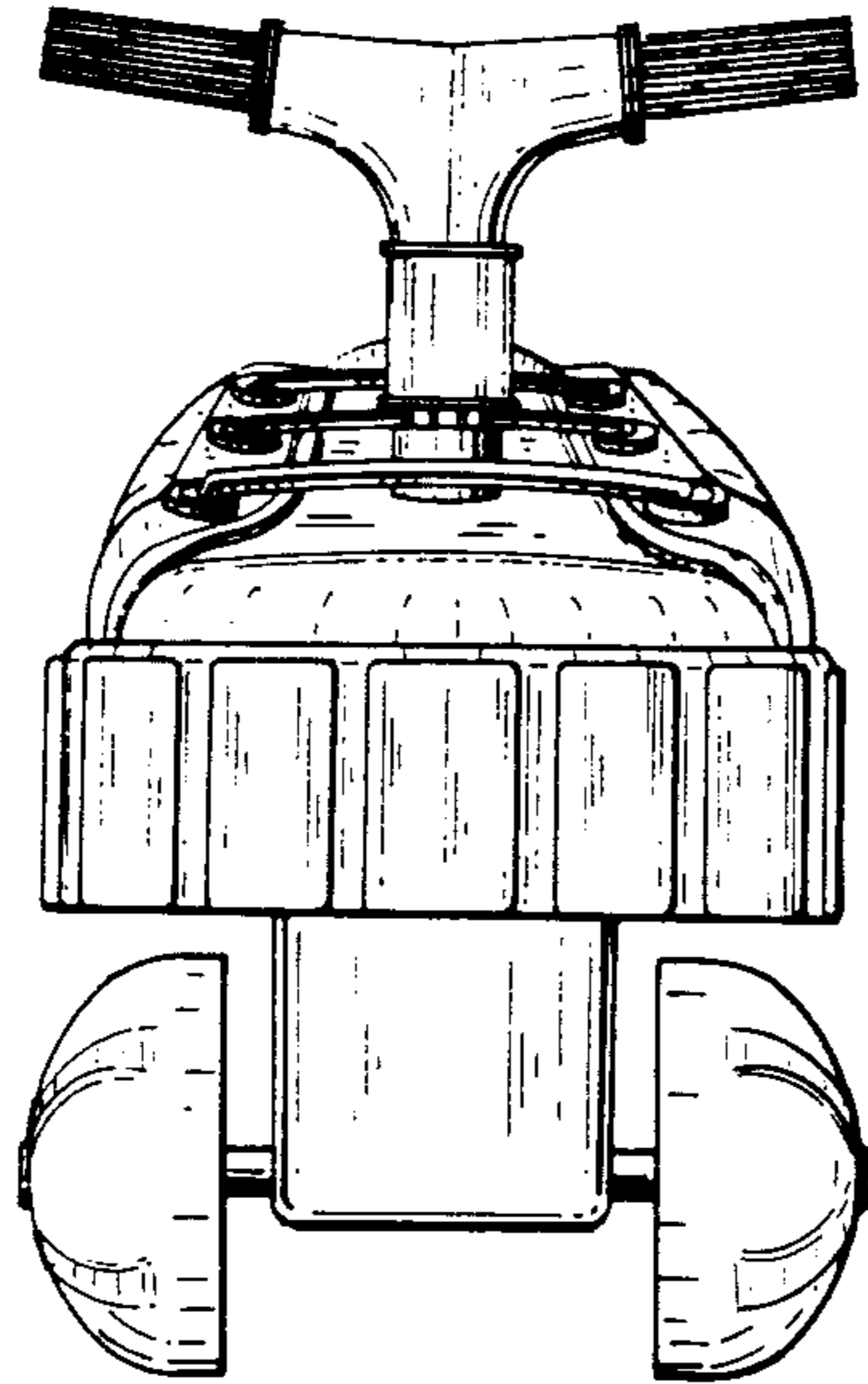


FIG. 3

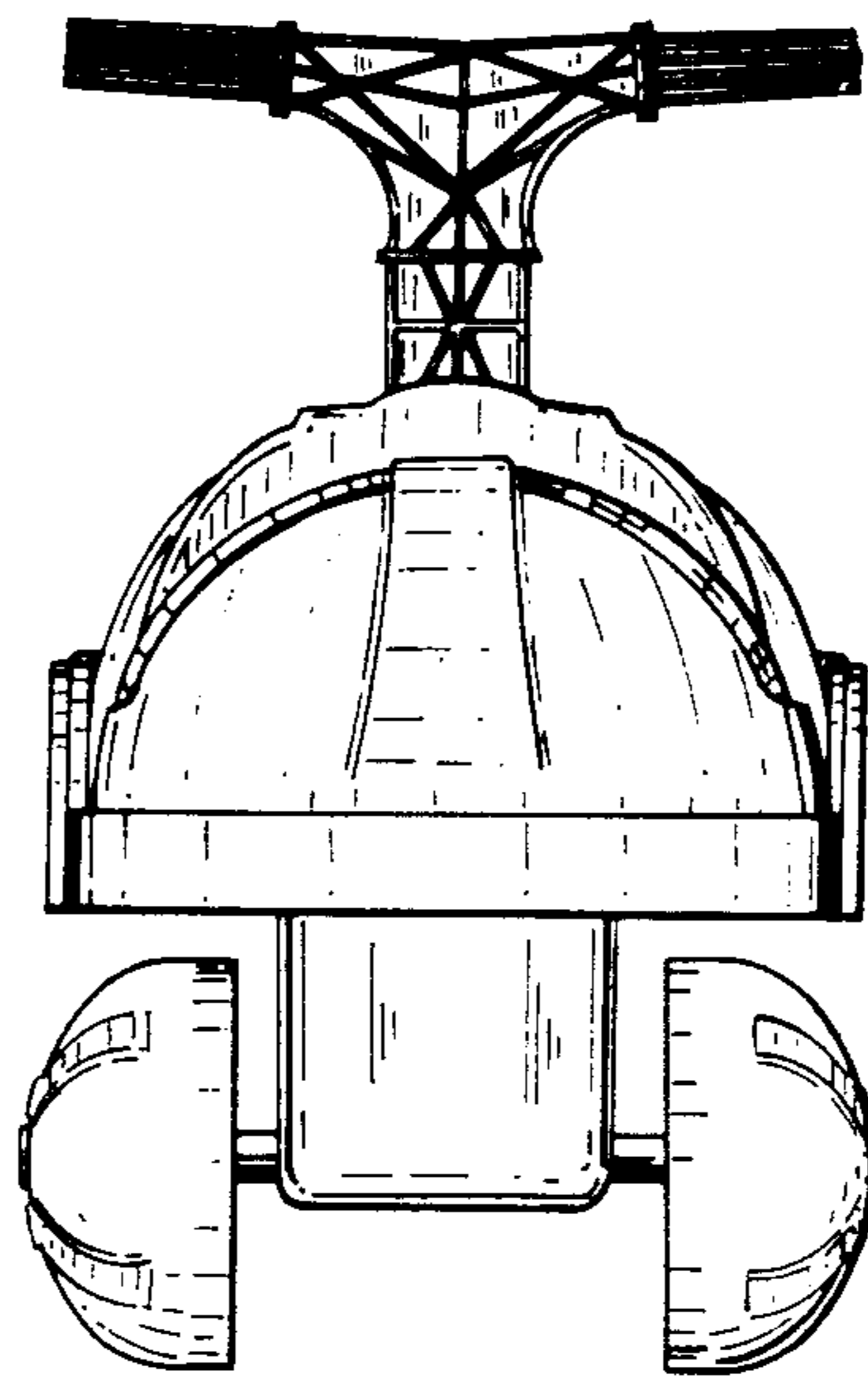


FIG. 4

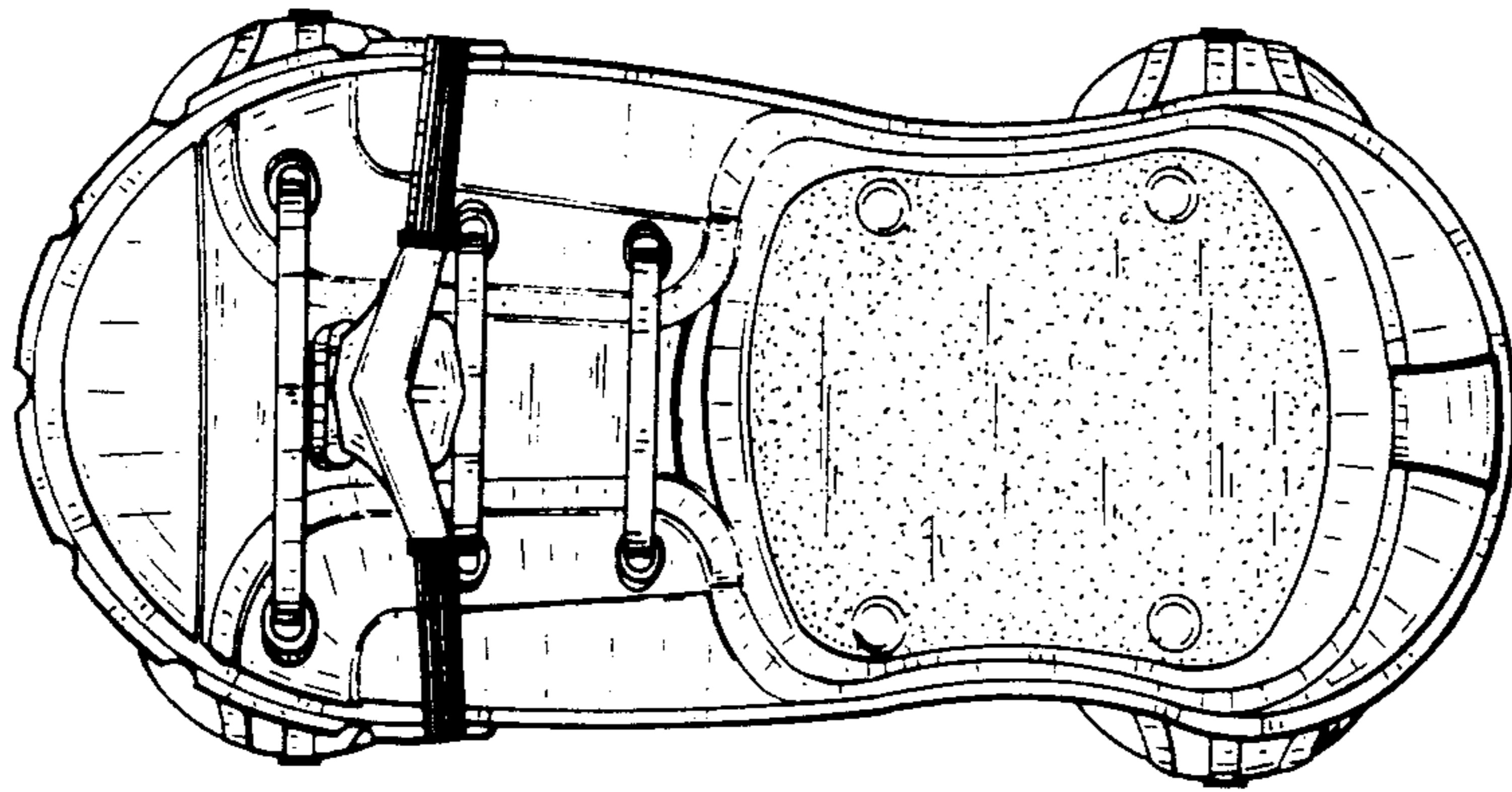


FIG. 5

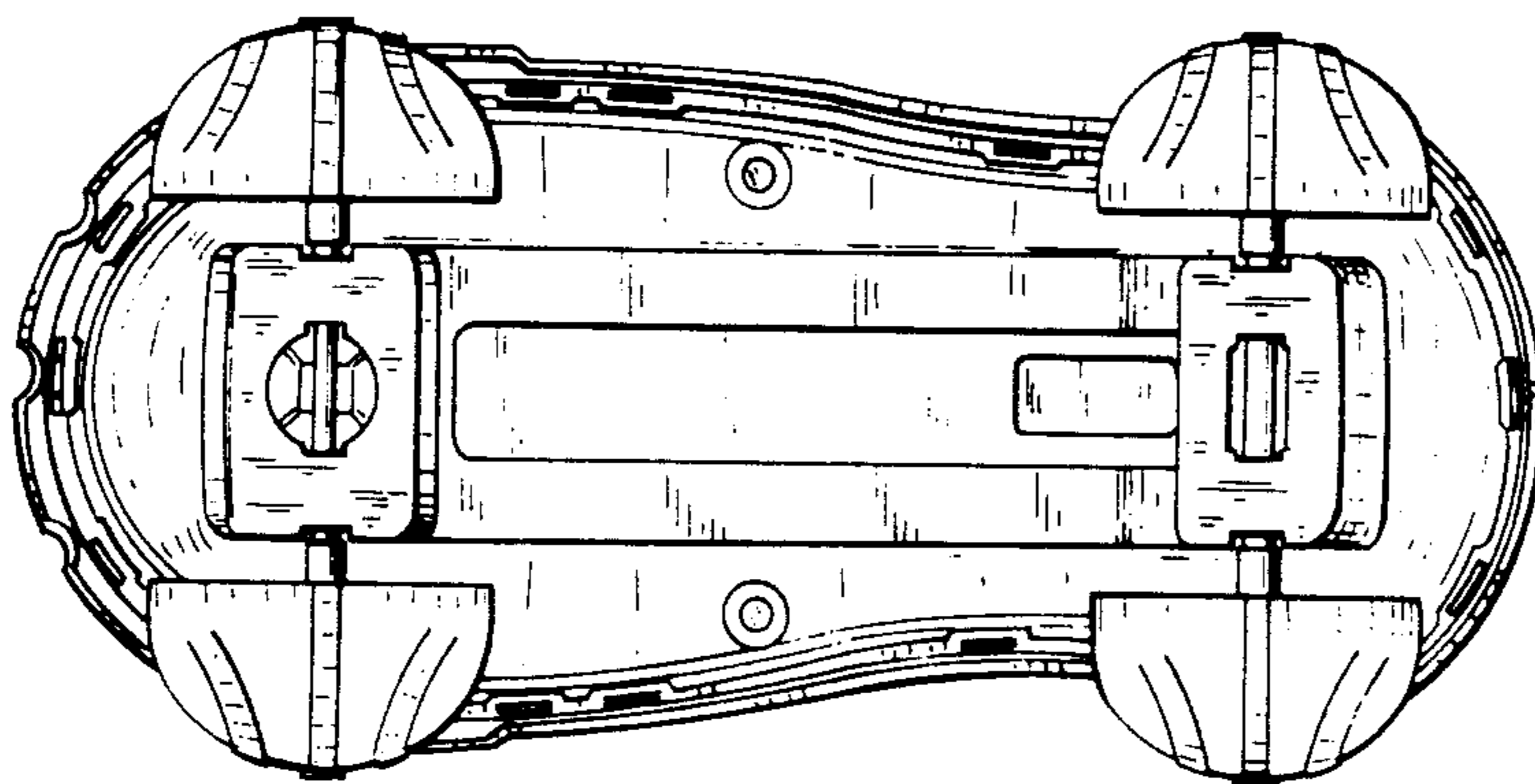


FIG. 6