

[54] DRILL PRESS AND MOUNT THEREFOR

[75] Inventors: John P. Cleary, Valley Cottage, N.Y.; Ralph A. Heineman, 1641 Third Ave., New York, N.Y. 10028

[73] Assignee: Ralph A. Heineman, New York, N.Y.

[**] Term: 14 Years

[21] Appl. No.: 925,612

[22] Filed: Jul. 17, 1978

[51] Int. Cl. D15-09
[52] U.S. Cl. D15/132
[58] Field of Search D15/132

[56]

References Cited

U.S. PATENT DOCUMENTS

D. 222,108 9/1971 Freer D15/132
D. 233,168 10/1974 Adams D15/132

Primary Examiner—Alan P. Douglas
Attorney, Agent, or Firm—Morton Amster

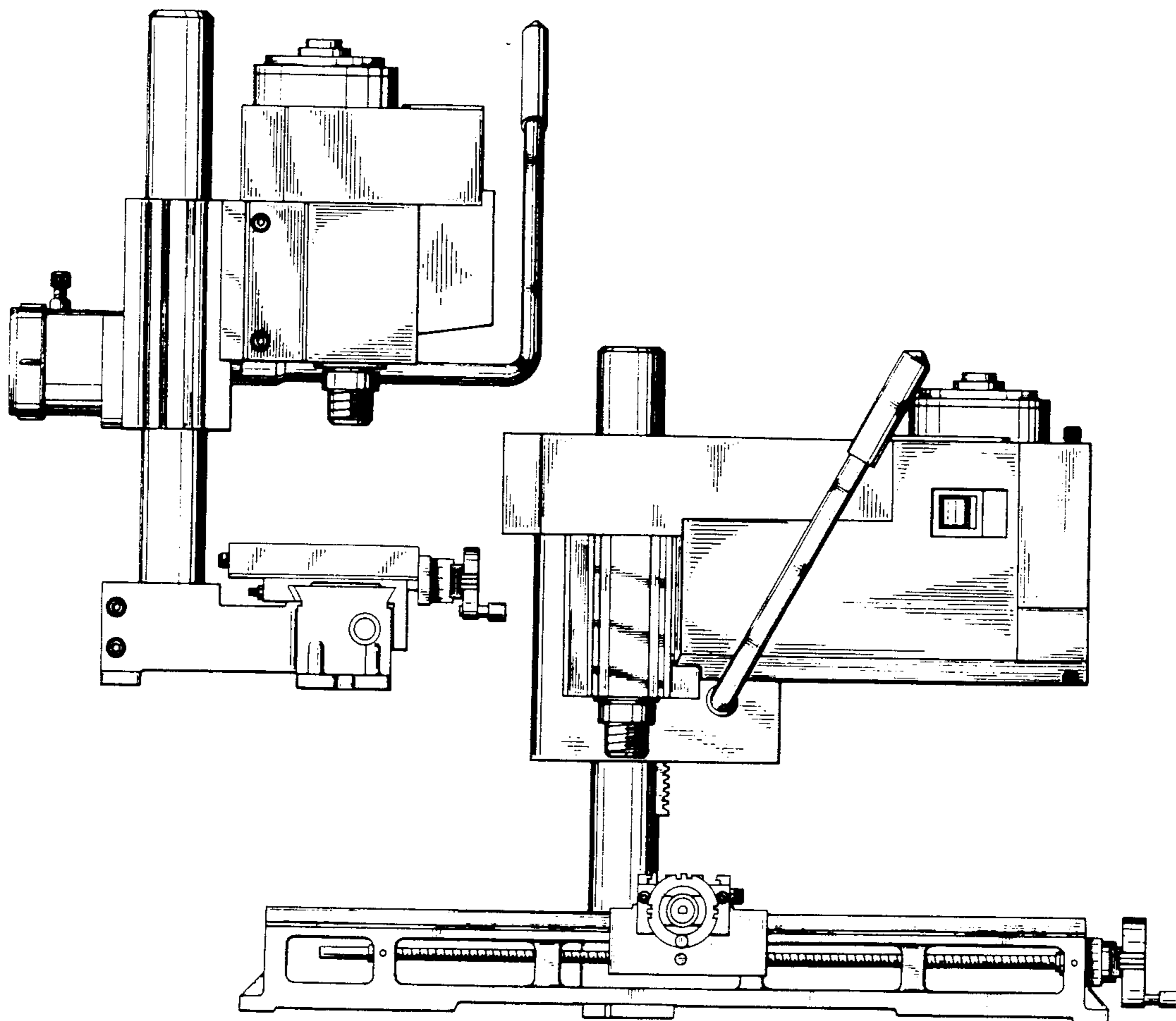
[57]

CLAIM

The ornamental design for a drill press and mount therefor, as shown.

DESCRIPTION

FIG. 1 is a front elevational view of a drill press and mount therefor showing our new design; FIG. 2 is a rear elevational view thereof; FIG. 3 is a left side elevational view thereof; FIG. 4 is a right side elevational view thereof; FIG. 5 is a top plan view thereof; and, FIG. 6 is a bottom plan view thereof.



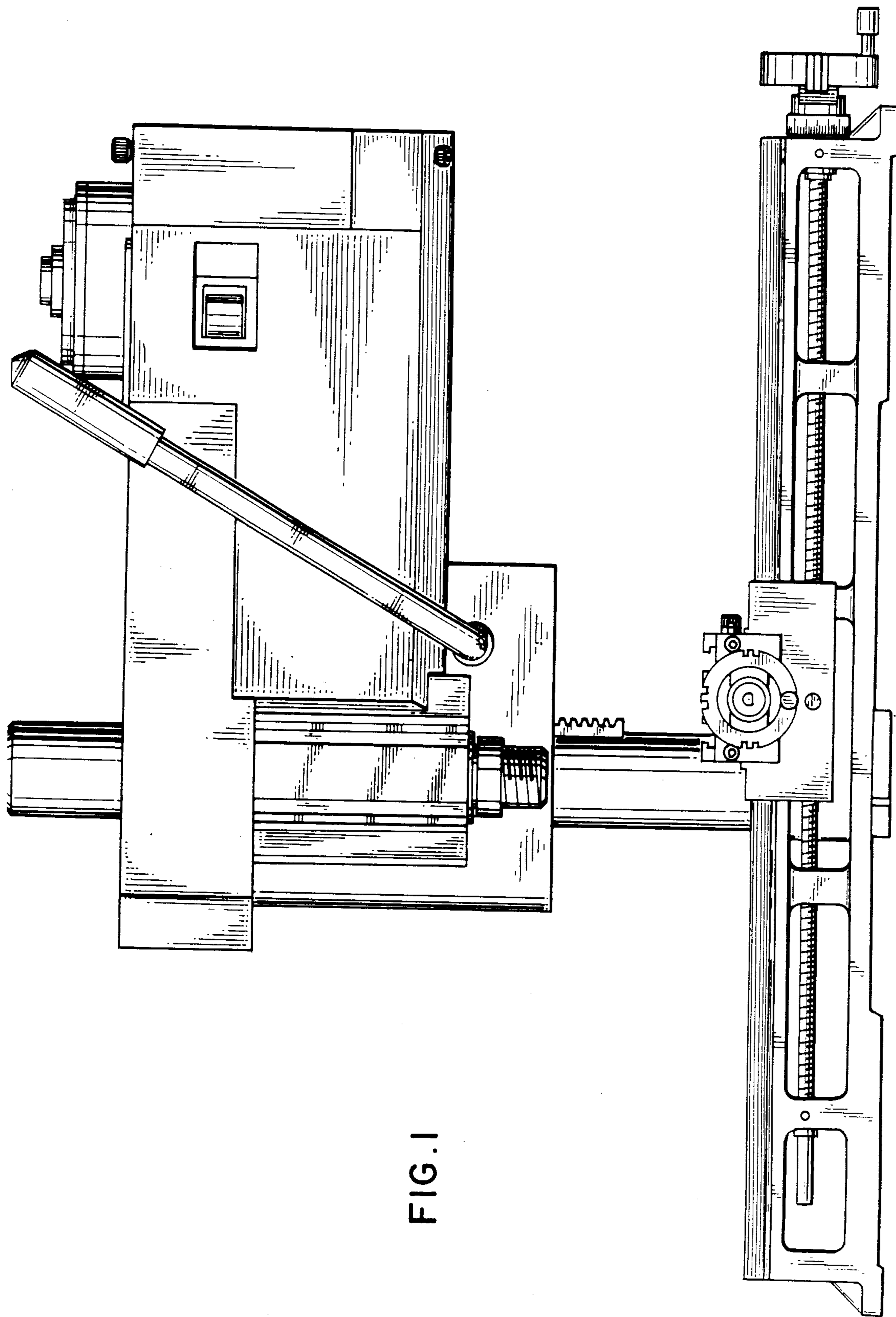
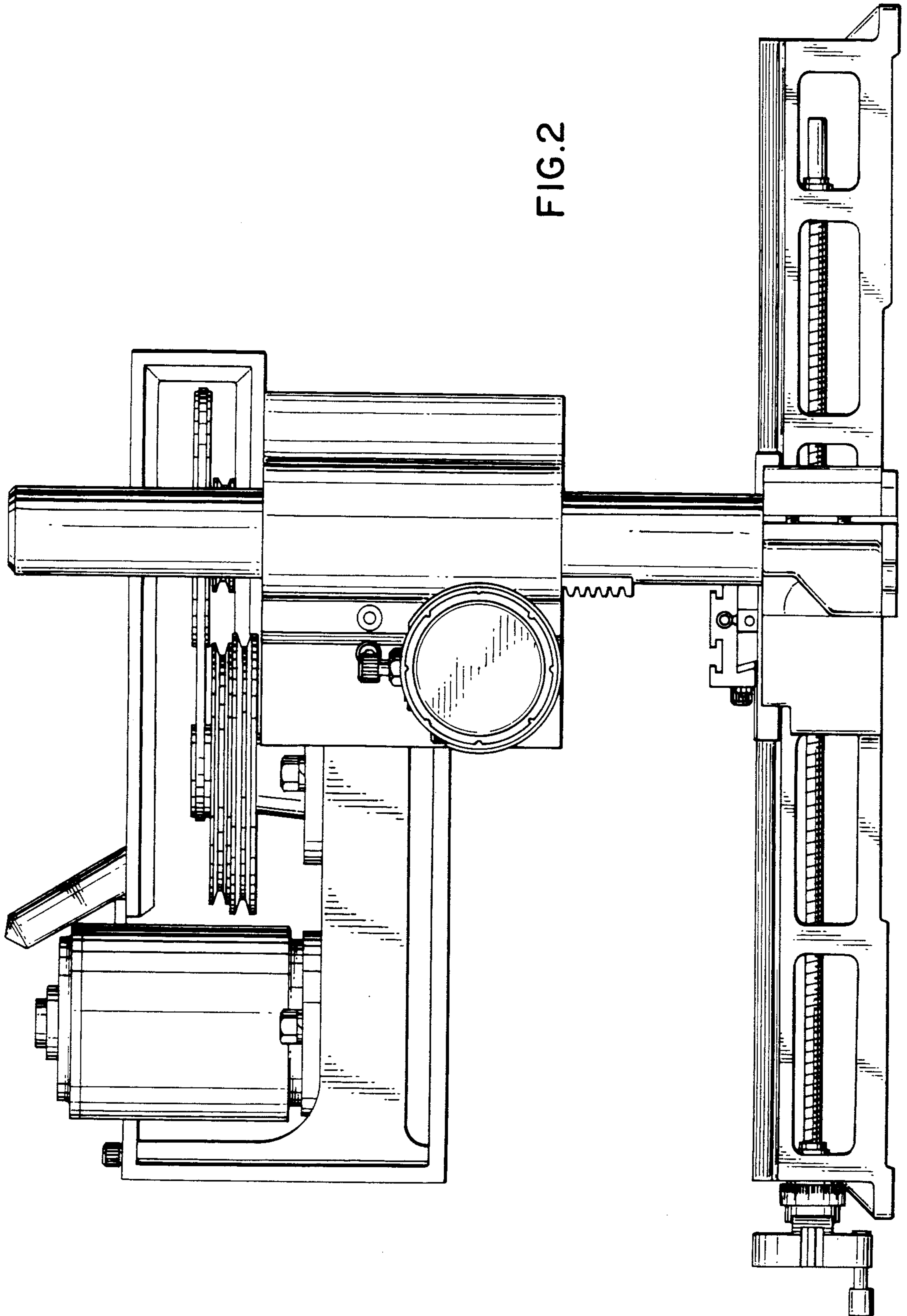


FIG. 1



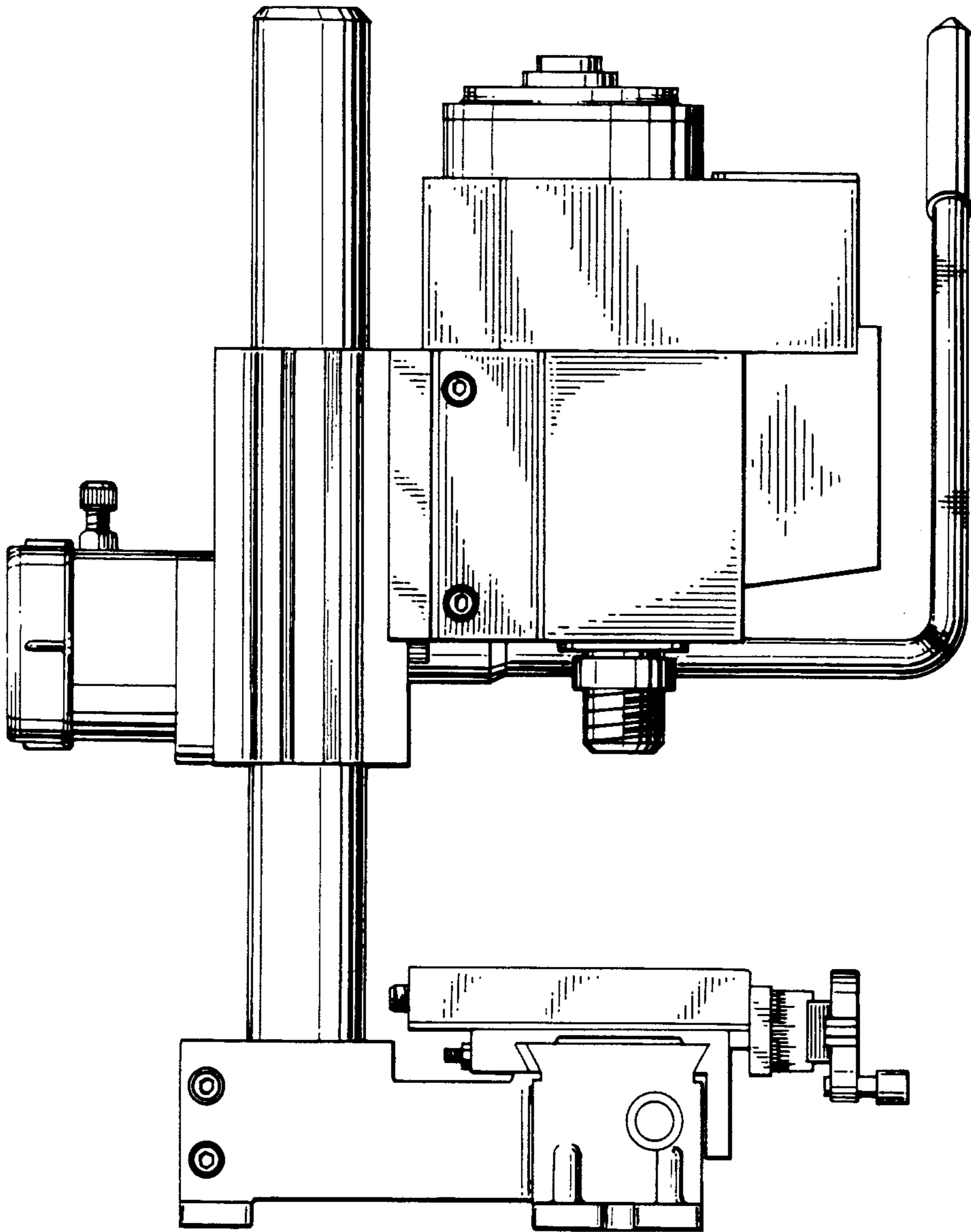
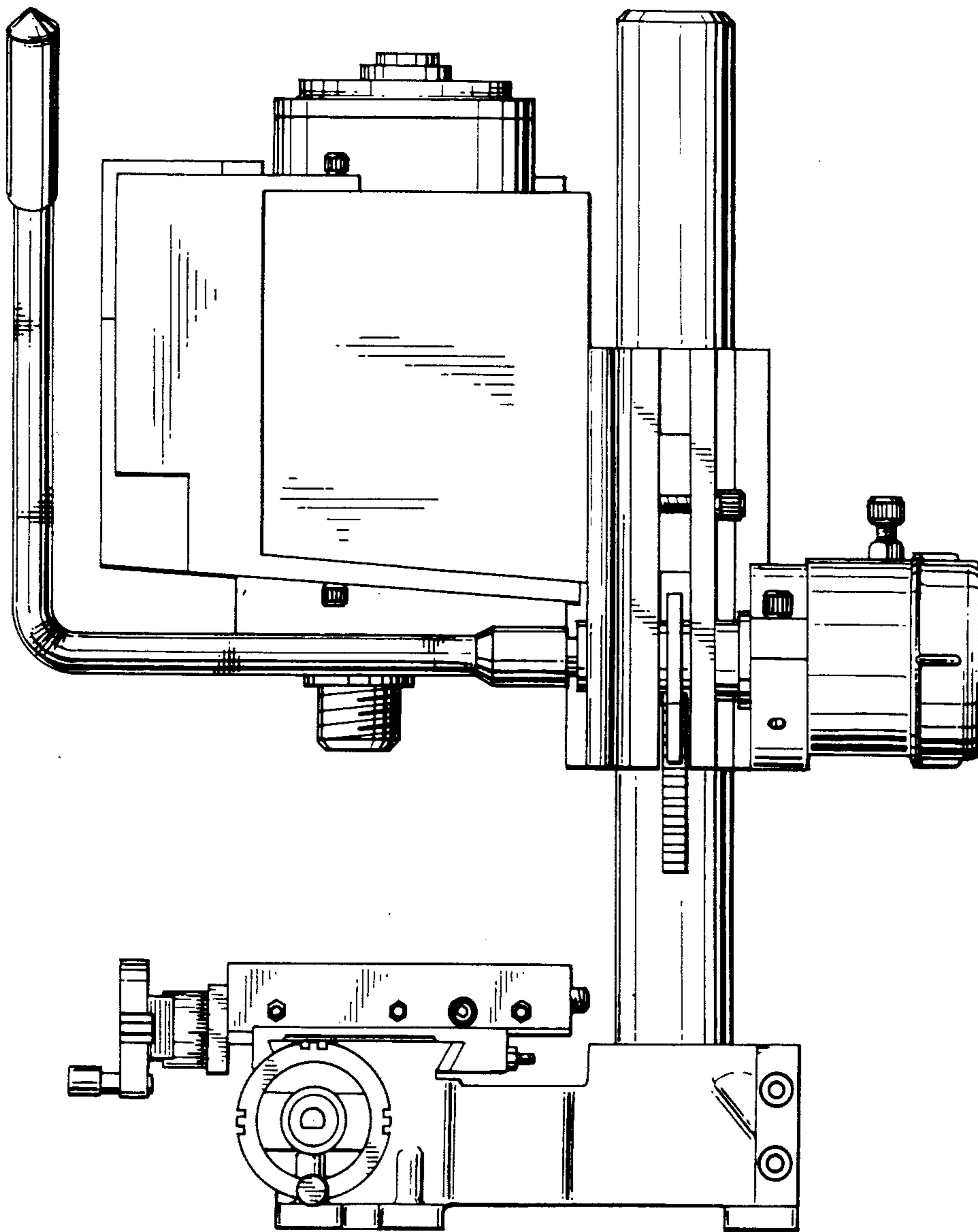


FIG. 3

FIG. 4



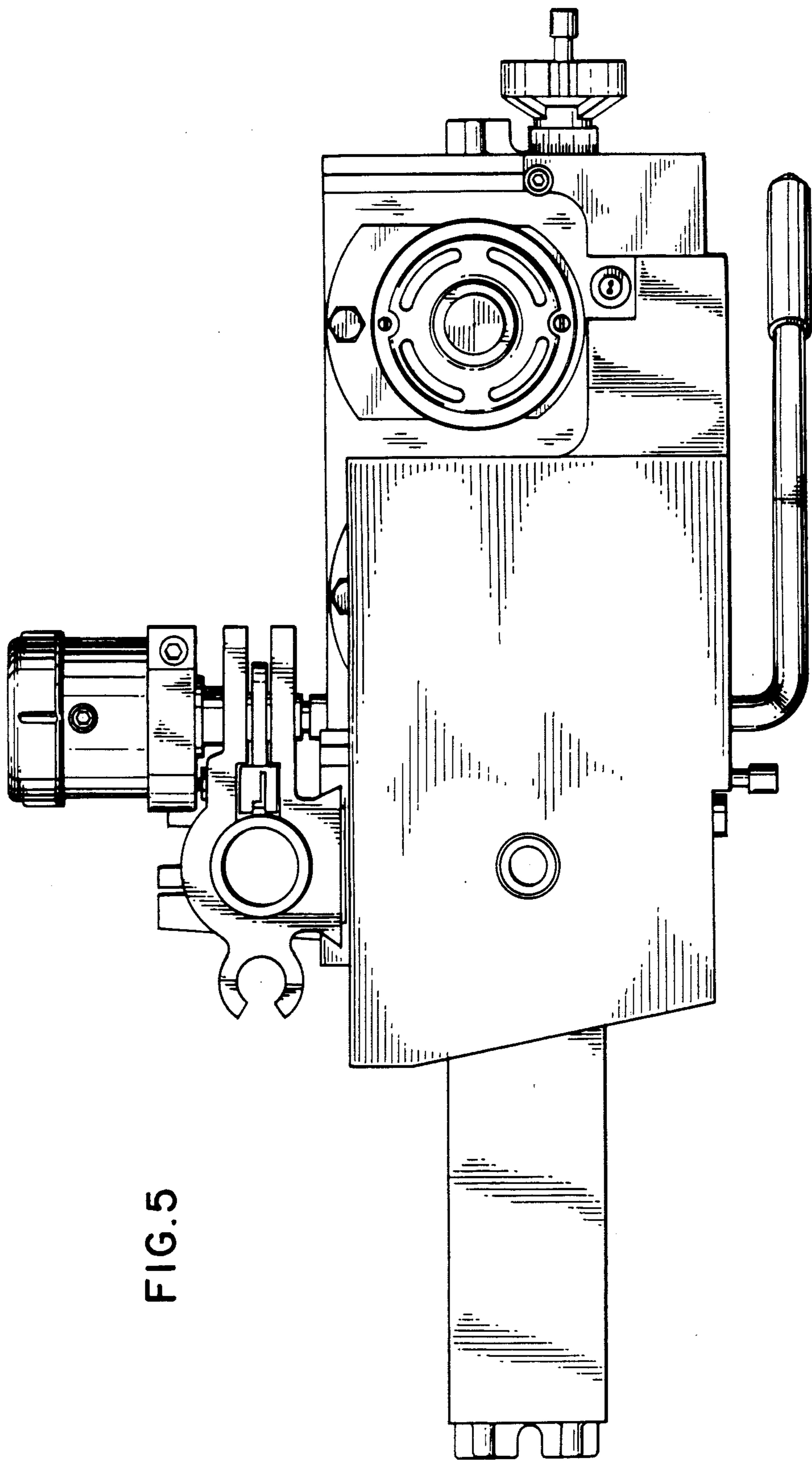


FIG. 5

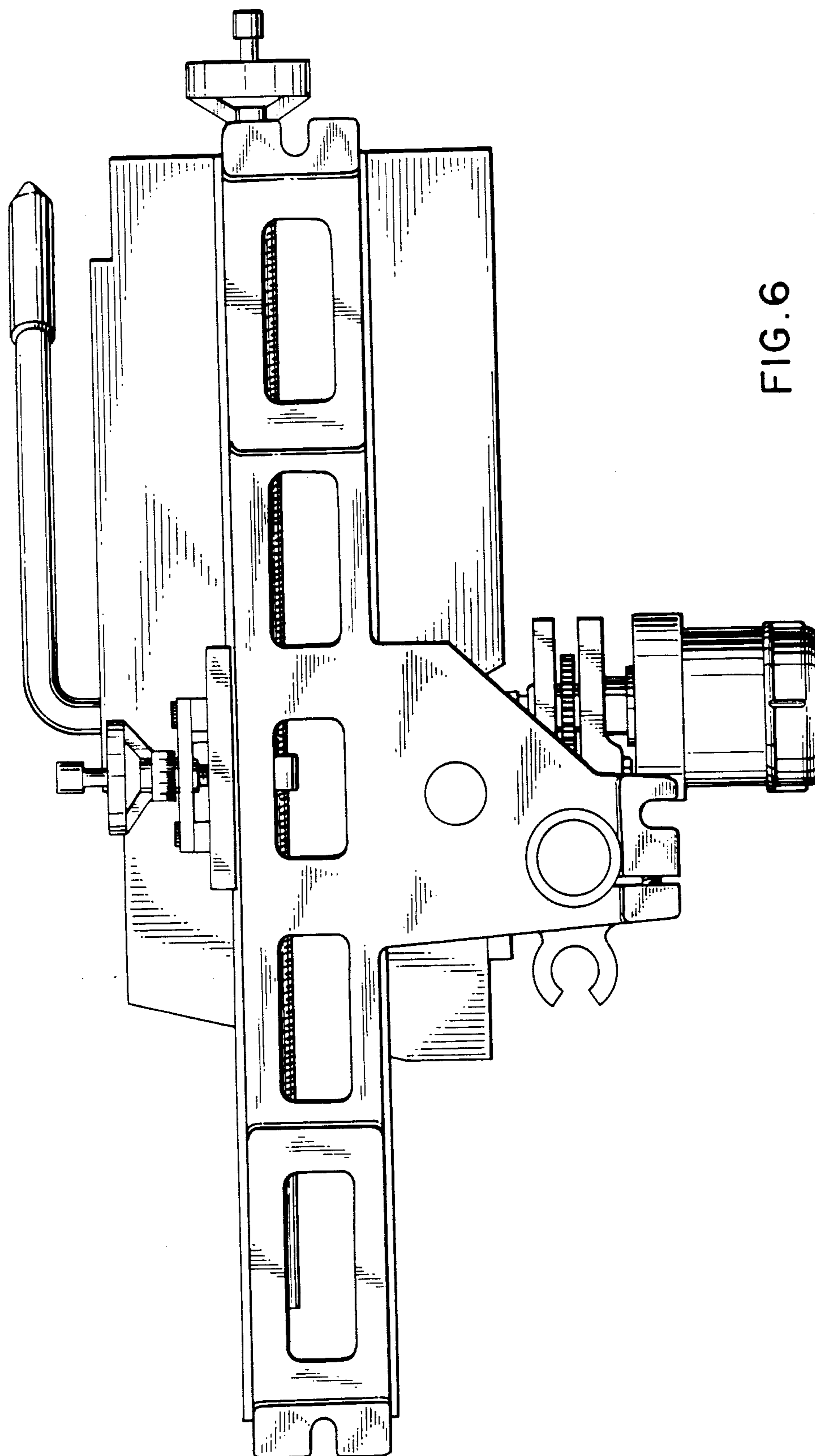


FIG. 6