

[54] LATHE

D. 197,353 1/1964 White ..... D15/130

[75] Inventors: John P. Cleary, Valley Cottage, N.Y.; Ralph A. Heineman, 1641 Third Ave., New York, N.Y. 10028

OTHER PUBLICATIONS

Steet's Manufacturing Engineering Catalog File 1968, p. CUT-1/Le 16, Lathe on page.

[73] Assignee: Ralph A. Heineman, New York, N.Y.

Primary Examiner—Alan P. Douglas  
Attorney, Agent, or Firm—Morton Amster

[\*\*] Term: 14 Years

[57] CLAIM

[21] Appl. No.: 925,613

The ornamental design for a lathe, as shown.

[22] Filed: Jul. 17, 1978

DESCRIPTION

[51] Int. Cl. .... D15-09

FIG. 1 is a front elevational view of a lathe showing our new design;

[52] U.S. Cl. .... D15/130

FIG. 2 is a rear elevational view thereof;

[58] Field of Search ..... D15/130

FIG. 3 is a left side elevational view thereof;

[56] References Cited

U.S. PATENT DOCUMENTS

D. 177,802 5/1956 Garvin ..... D15/130 X

FIG. 4 is a right side elevational view thereof;

FIG. 5 is a top plan view thereof; and,

FIG. 6 is a bottom plan view thereof.

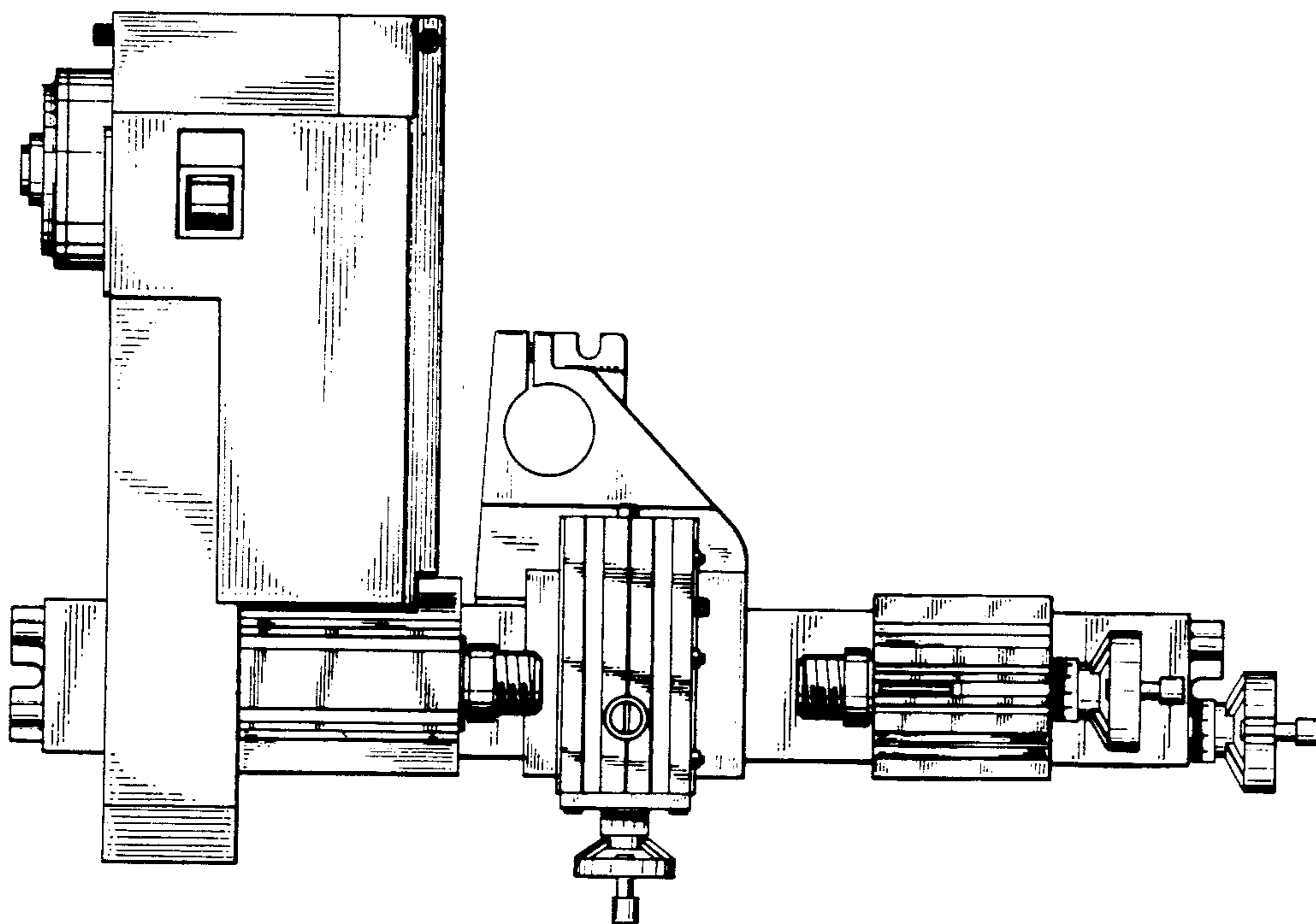
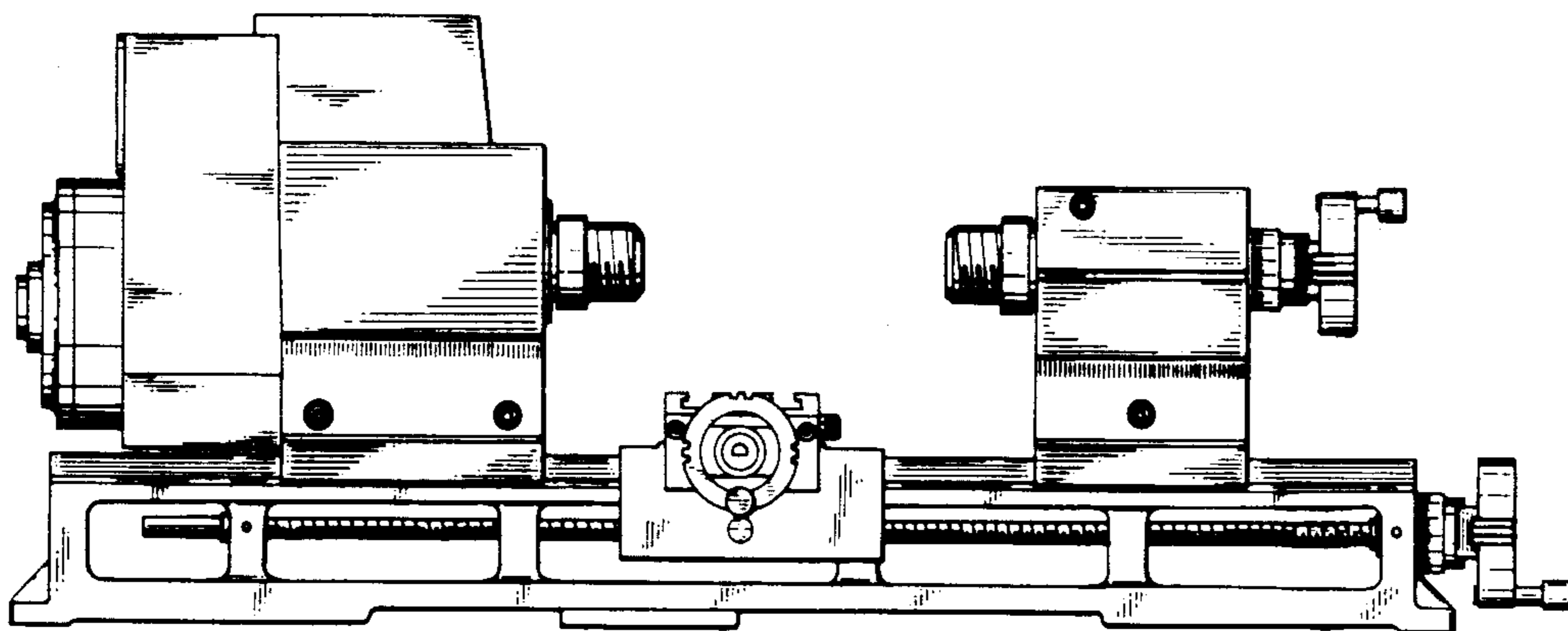
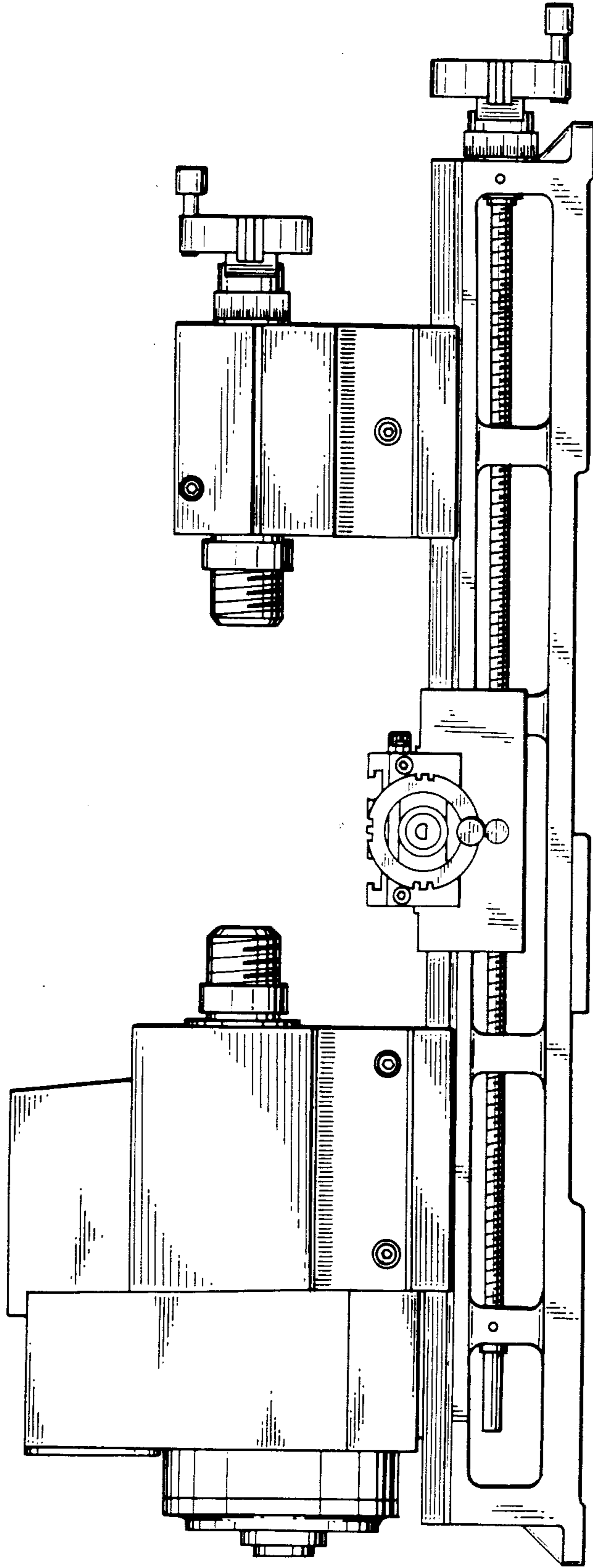


FIG. 1



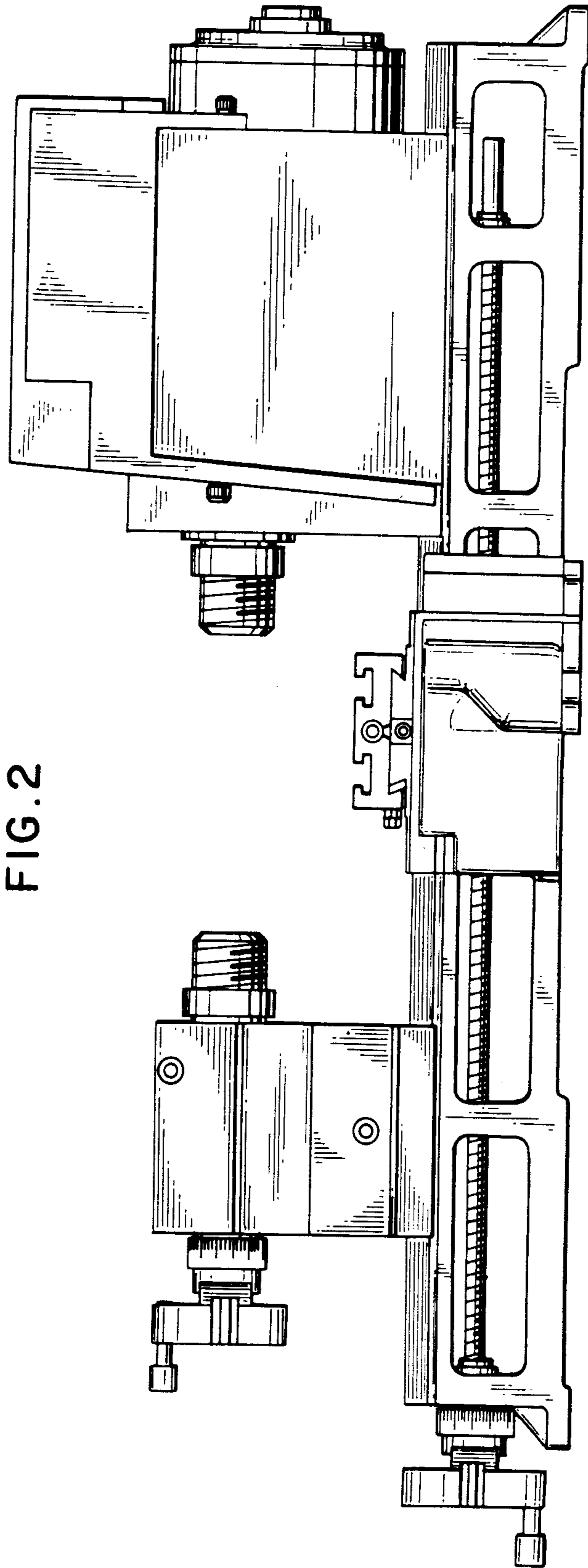


FIG. 2

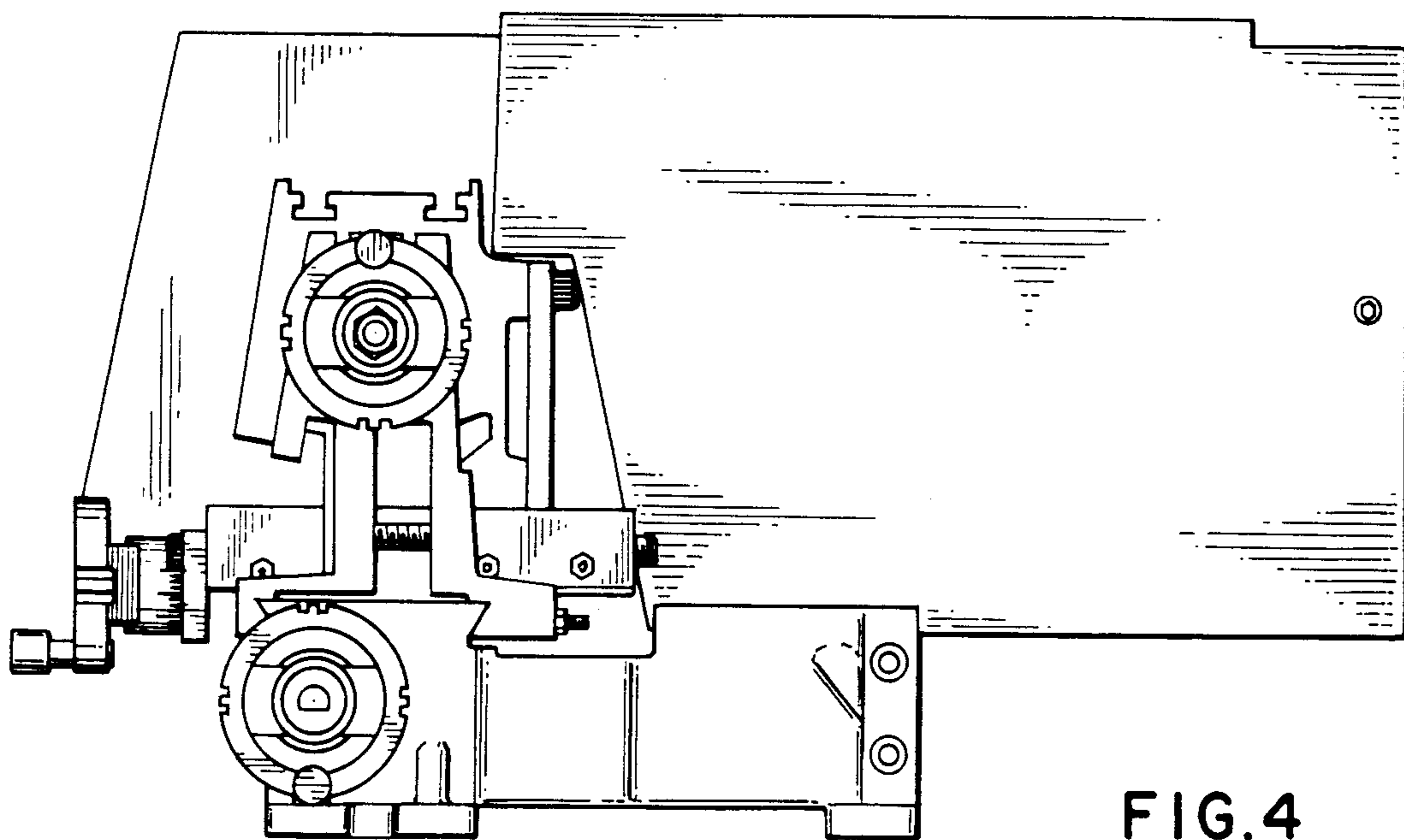
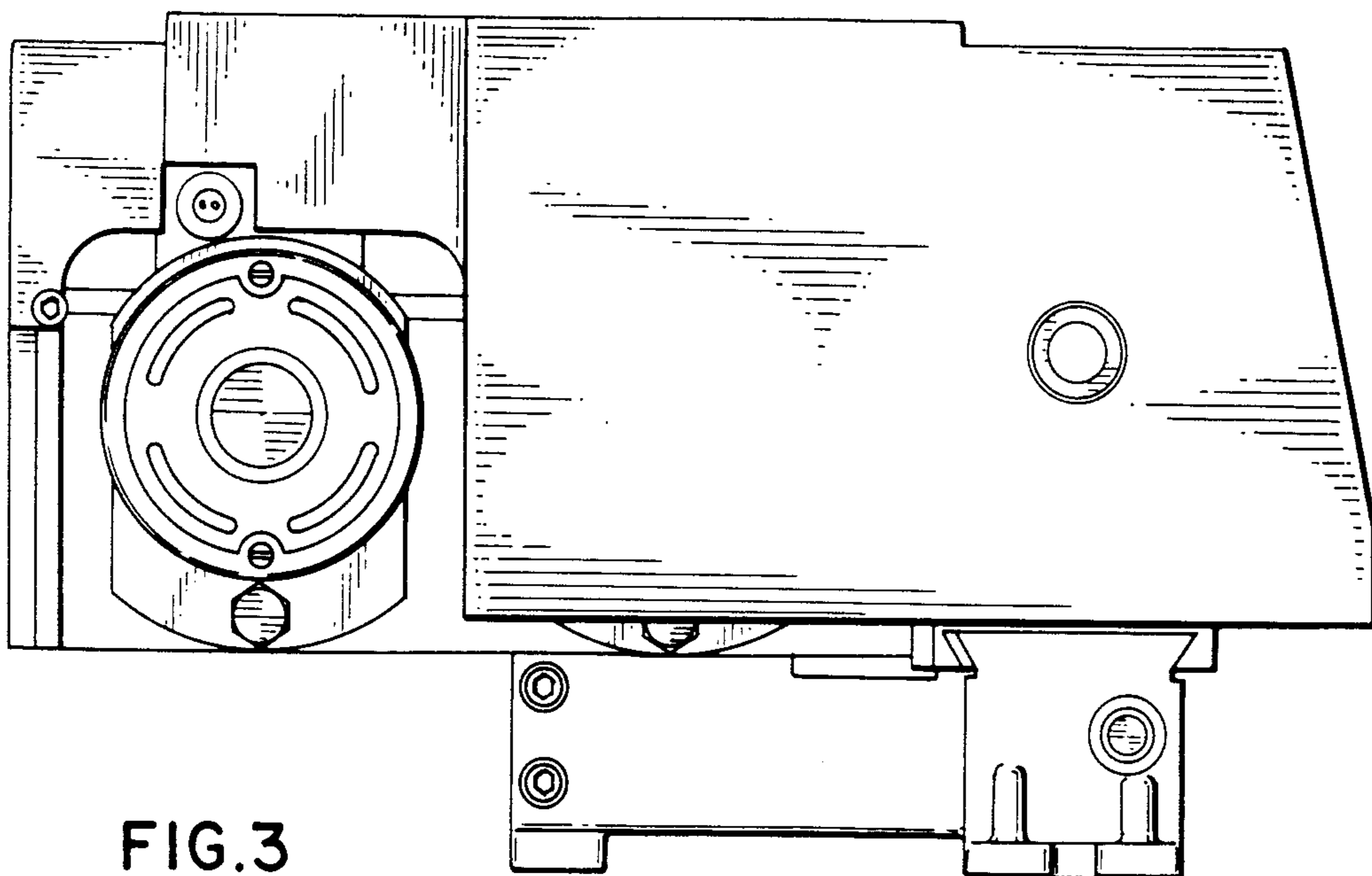
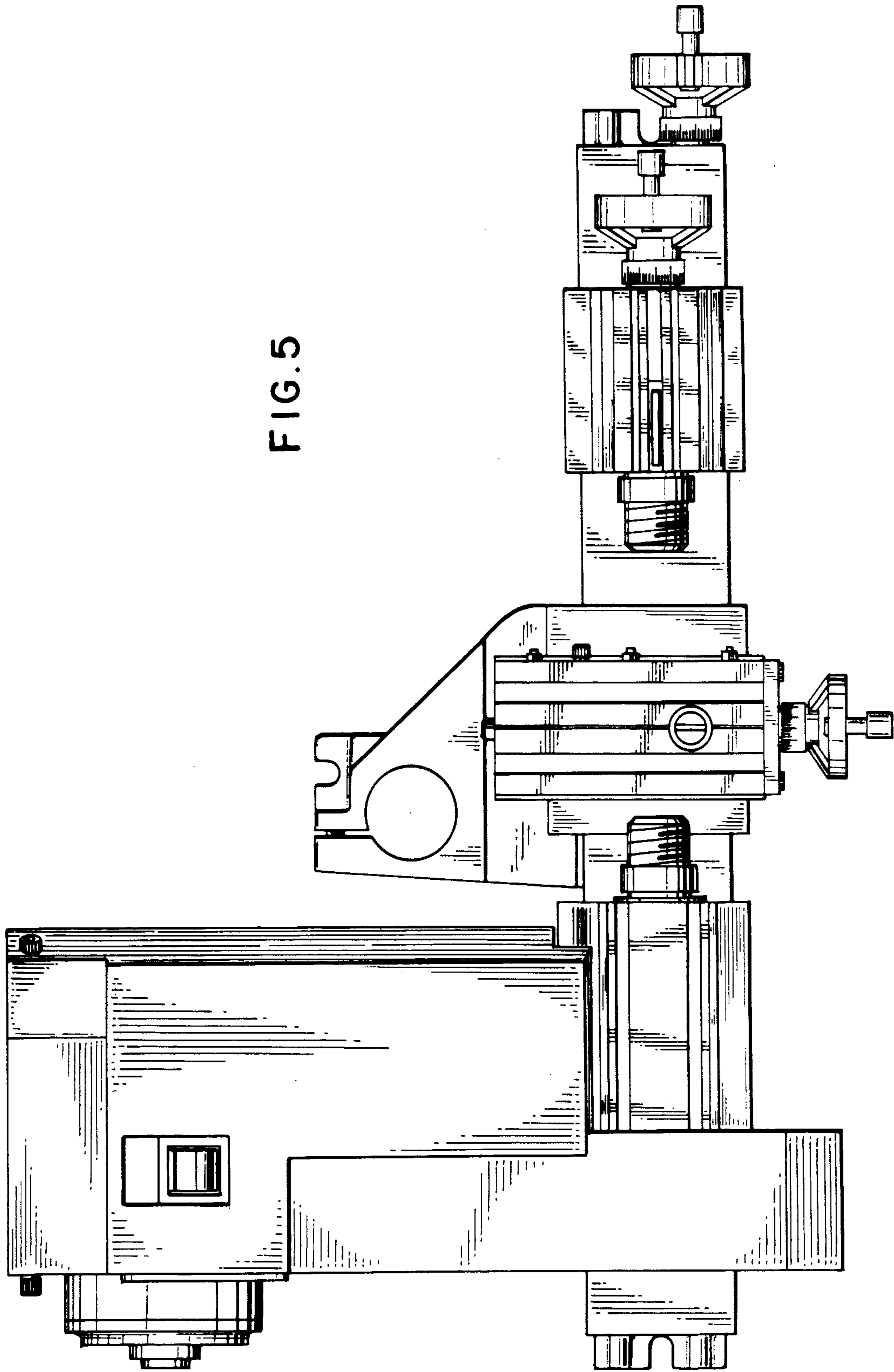


FIG. 5



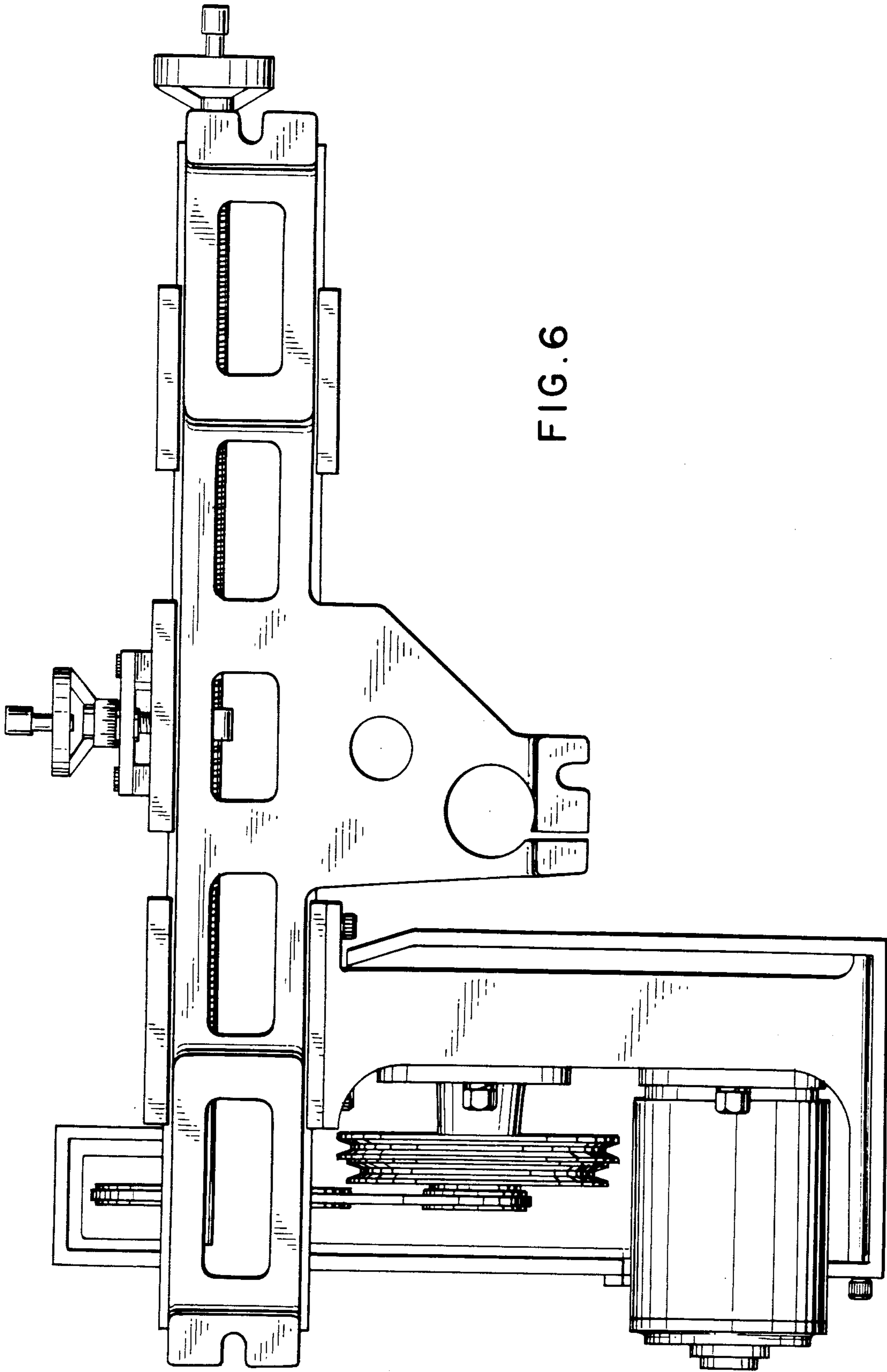


FIG. 6