

[54] **PHONOGRAPH CARTRIDGE**

[75] Inventors: **Joseph D. Kehl, Chicago; Robert L. Deschamps, Wheaton, both of Ill.**

[73] Assignee: **Shure Brothers, Inc.**

[**] Term: **14 Years**

[21] Appl. No.: **929,553**

[22] Filed: **Jul. 31, 1978**

[51] Int. Cl. **D14—01; D14—99**

[52] U.S. Cl. **D14/28**

[58] Field of Search **D14/29, 27, 28; 274/37, 274/38, 24 R; 179/100.41 M, 100.41 K, 100.41 P**

D. 245,022 7/1977 Thomsen D14/28

D. 245,433 8/1977 Thomsen et al. D14/28

3,294,405 12/1966 Pritchard 274/37

Primary Examiner—Bernard Ansher
Attorney, Agent, or Firm—George B. Newitt

[57] **CLAIM**

The ornamental design for a phonograph cartridge, as shown and described.

DESCRIPTION

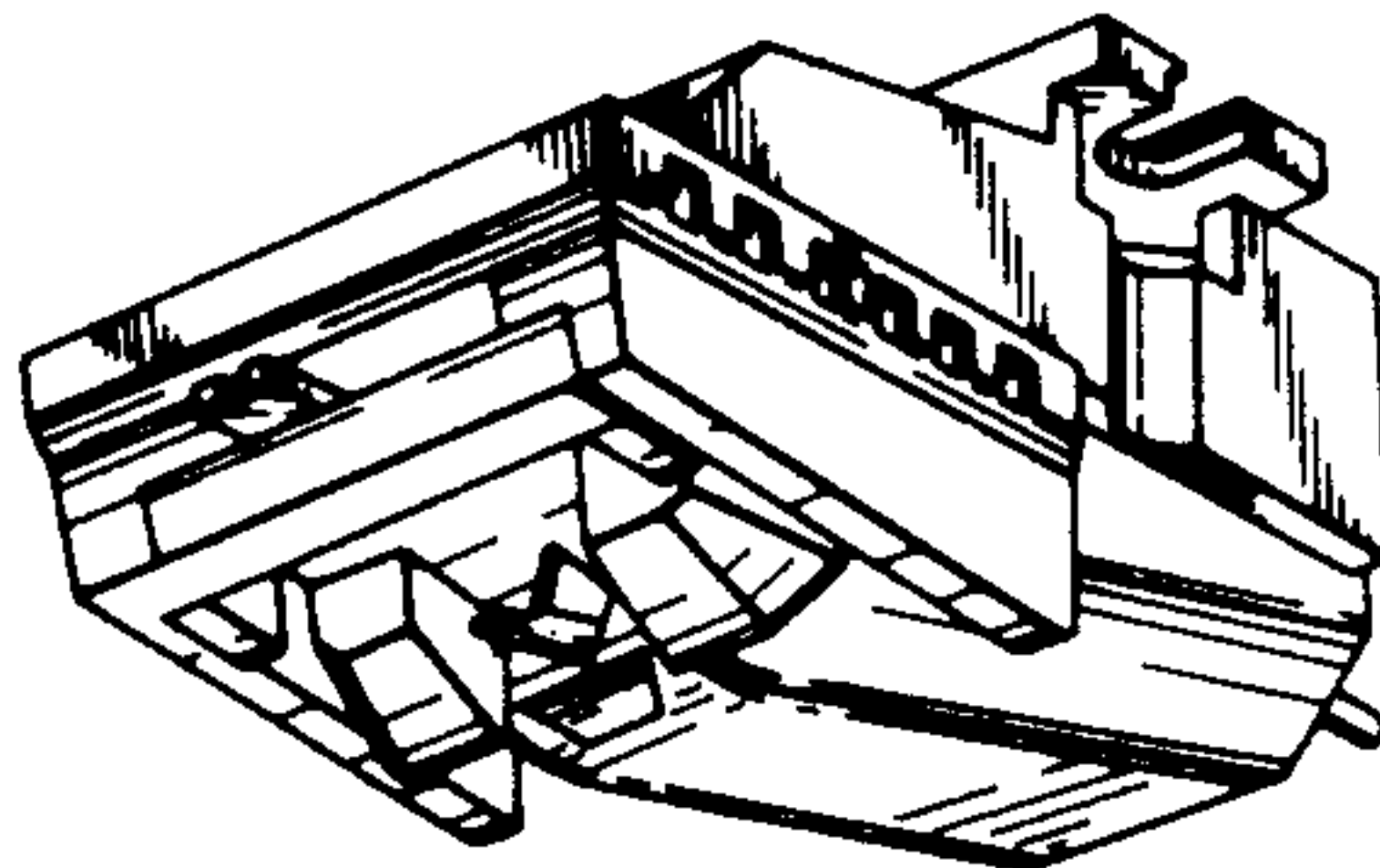
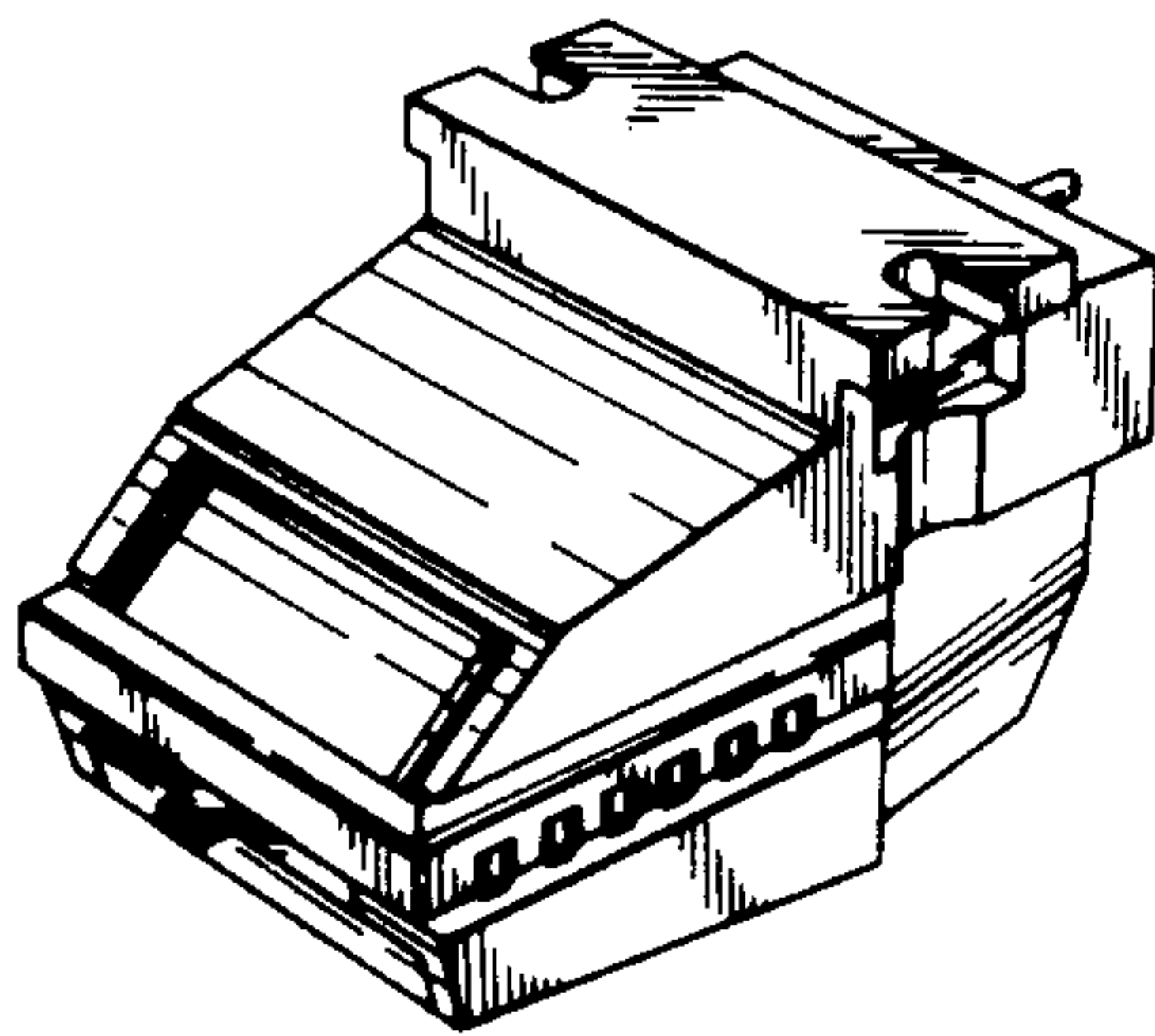
FIG. 1 is a perspective view of a phonograph cartridge, as shown from above its normal operative position; FIG. 2 is a perspective view of a phonograph cartridge, as shown from below its normal operative position; FIG. 3 is a top plan view thereof; FIG. 4 is one side view thereof, the other side being substantially identical; FIG. 5 is a bottom plan view thereof; FIG. 6 is a front view thereof; and FIG. 7 is a rear view thereof.

[56] **References Cited**

U.S. PATENT DOCUMENTS

D. 230,995 3/1974 Thomsen et al. D14/28

D. 235,211 5/1975 Deschamps D14/28



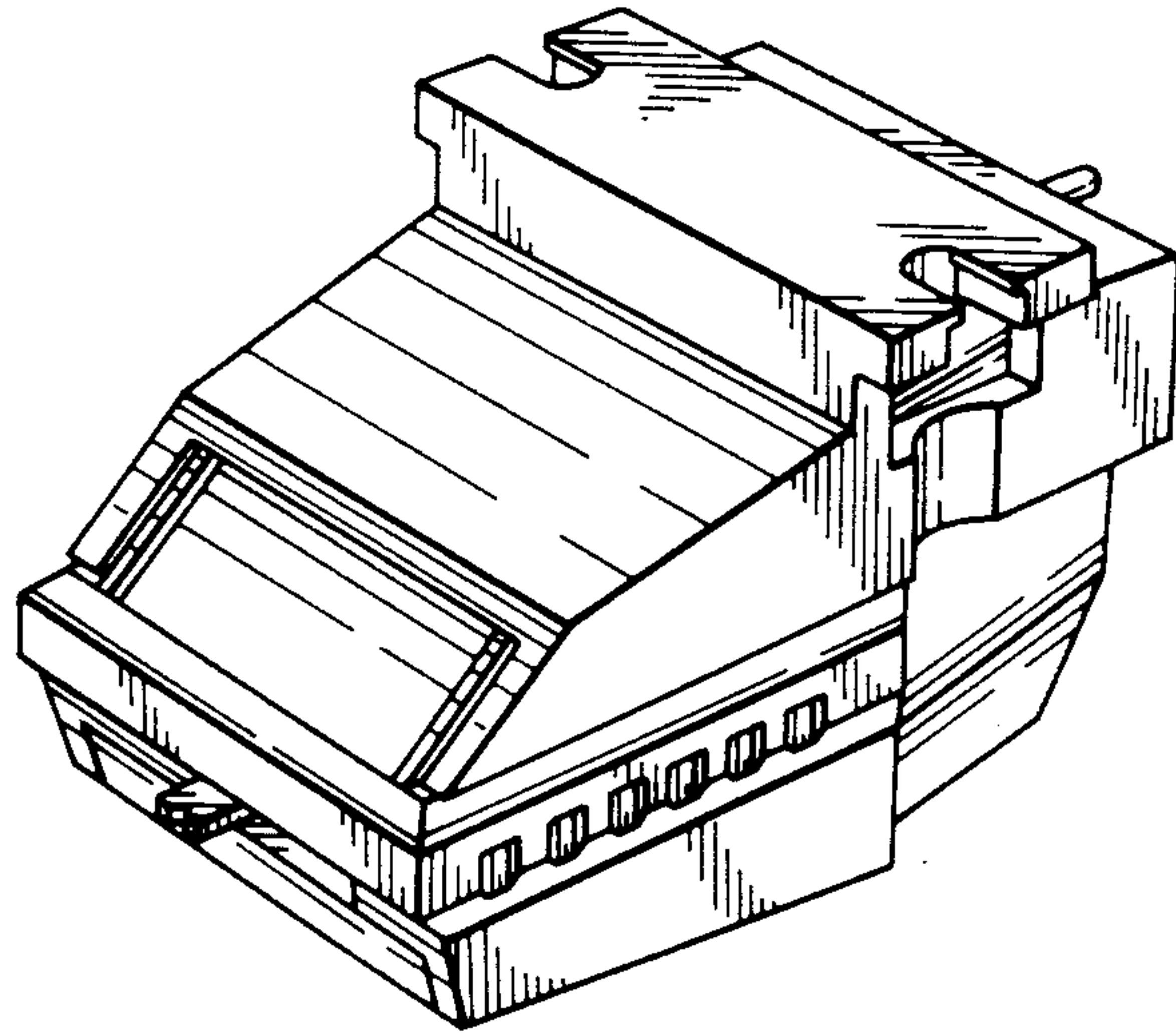


FIG. 1

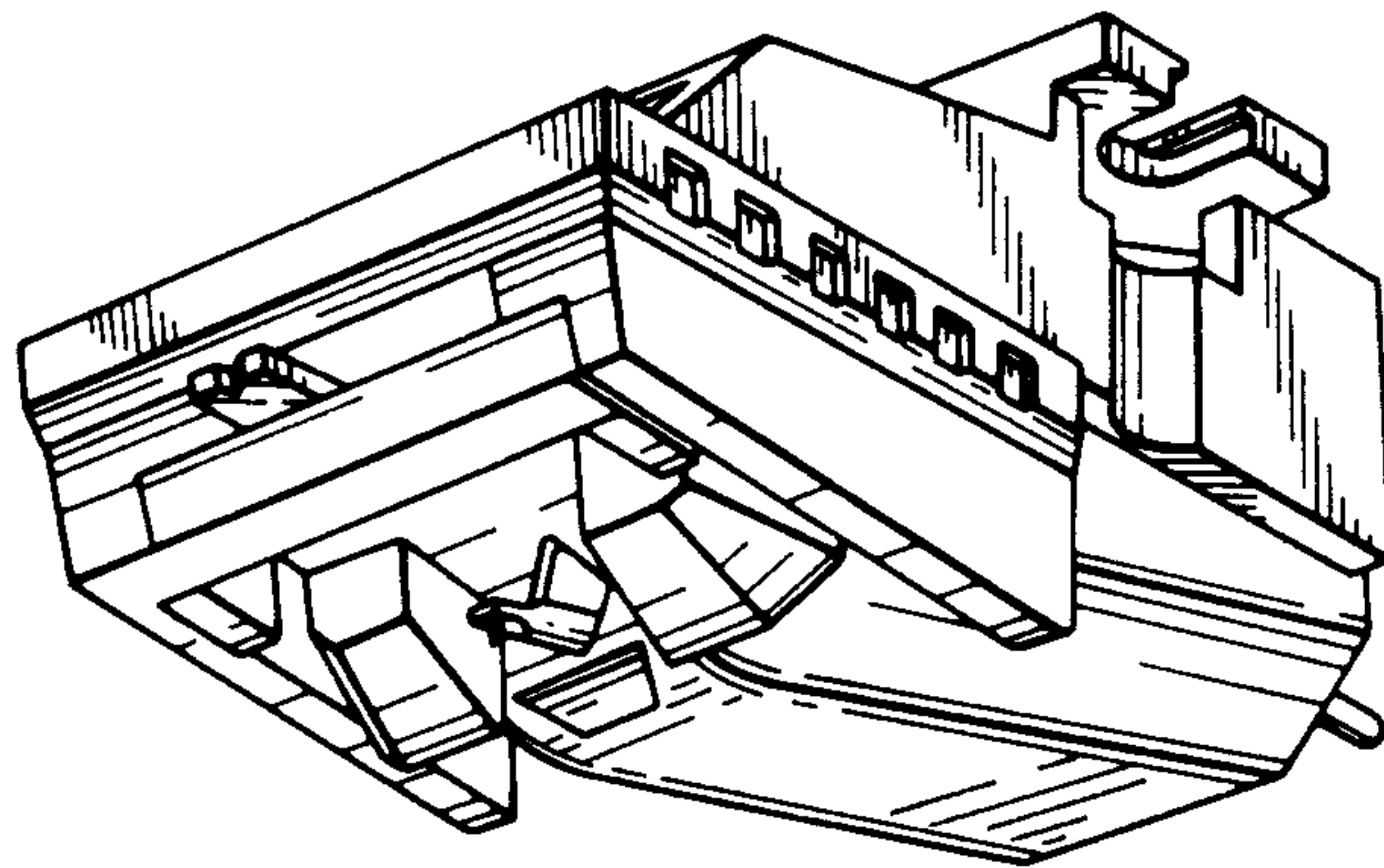


FIG. 2

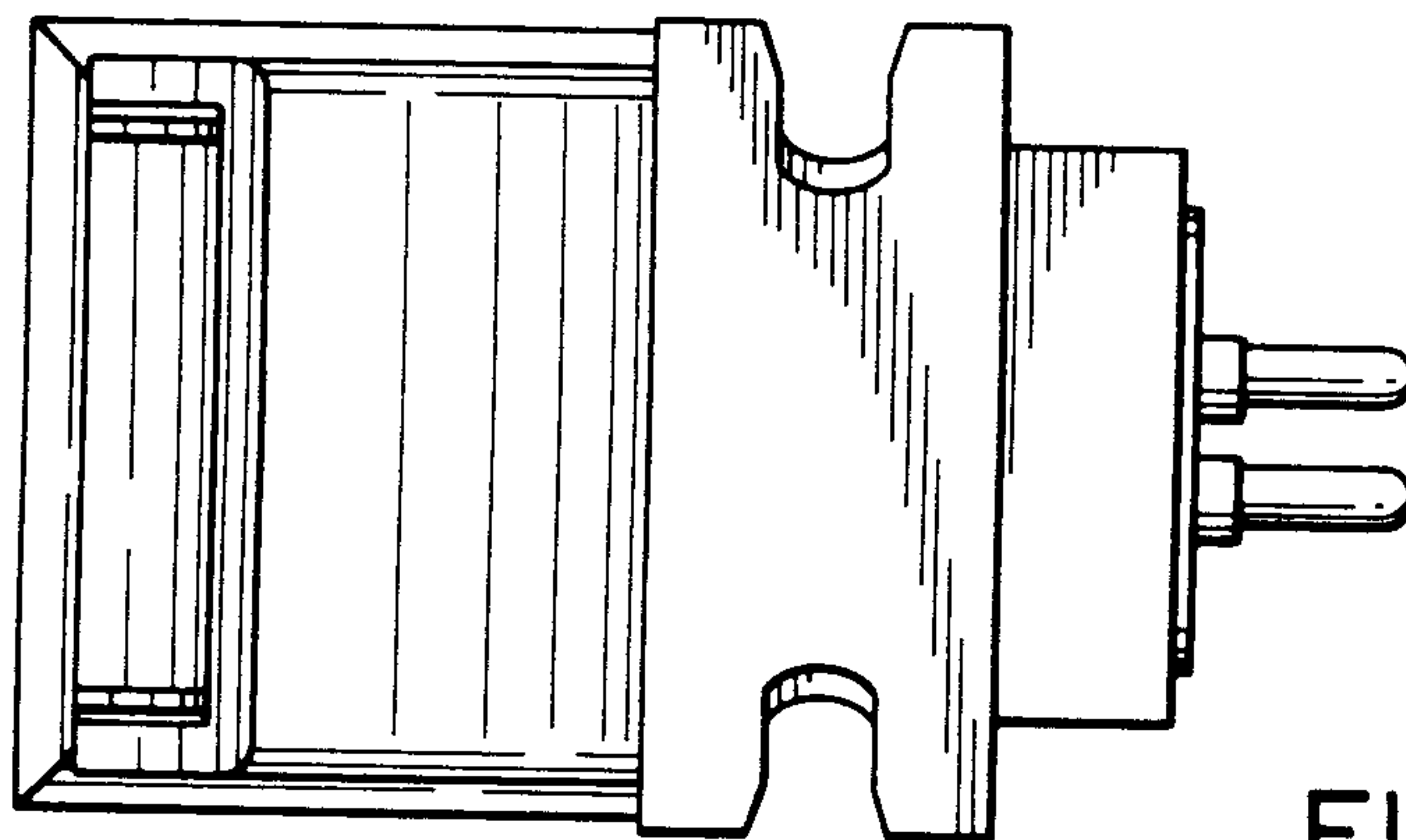


FIG. 3

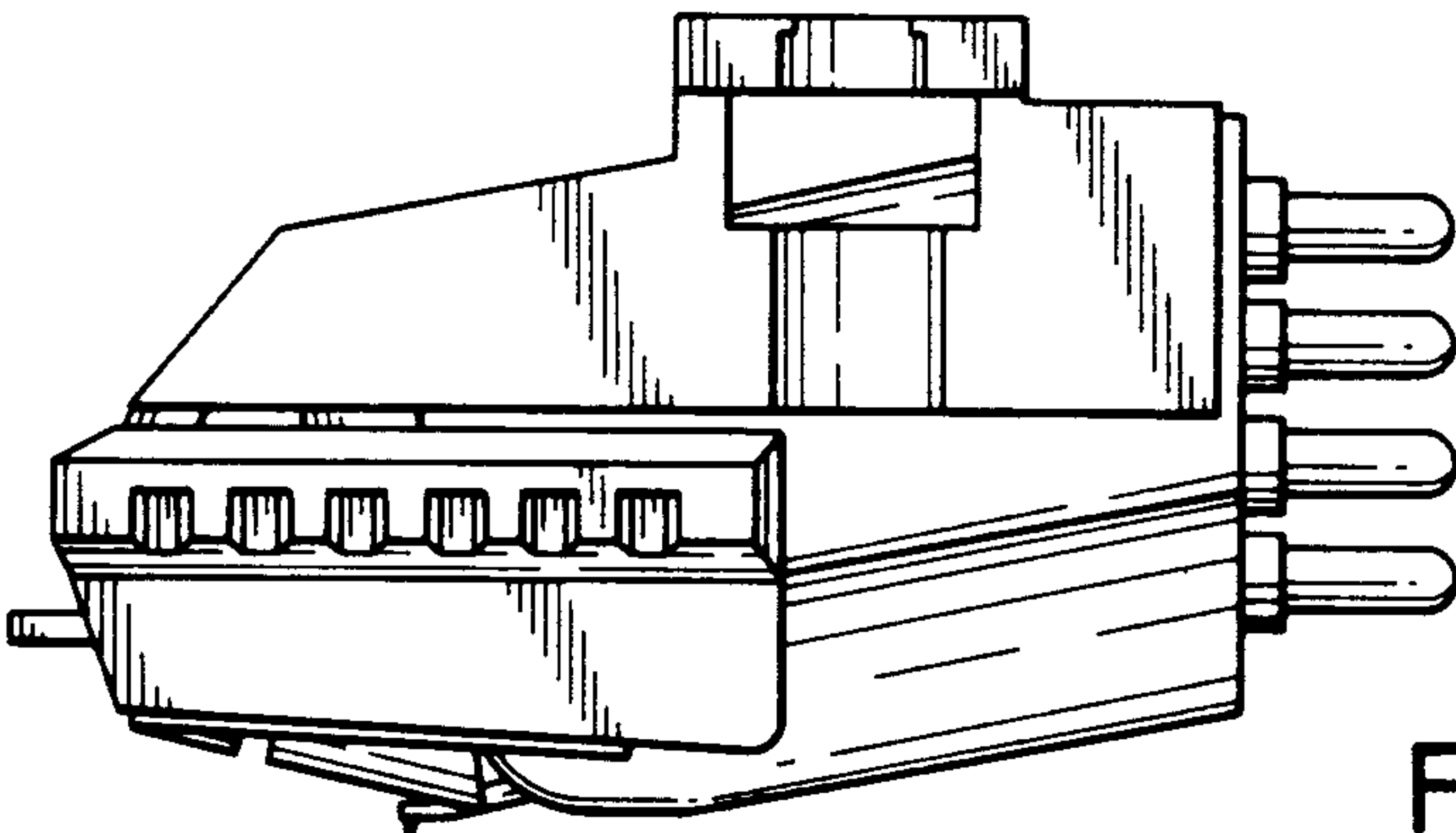


FIG. 4

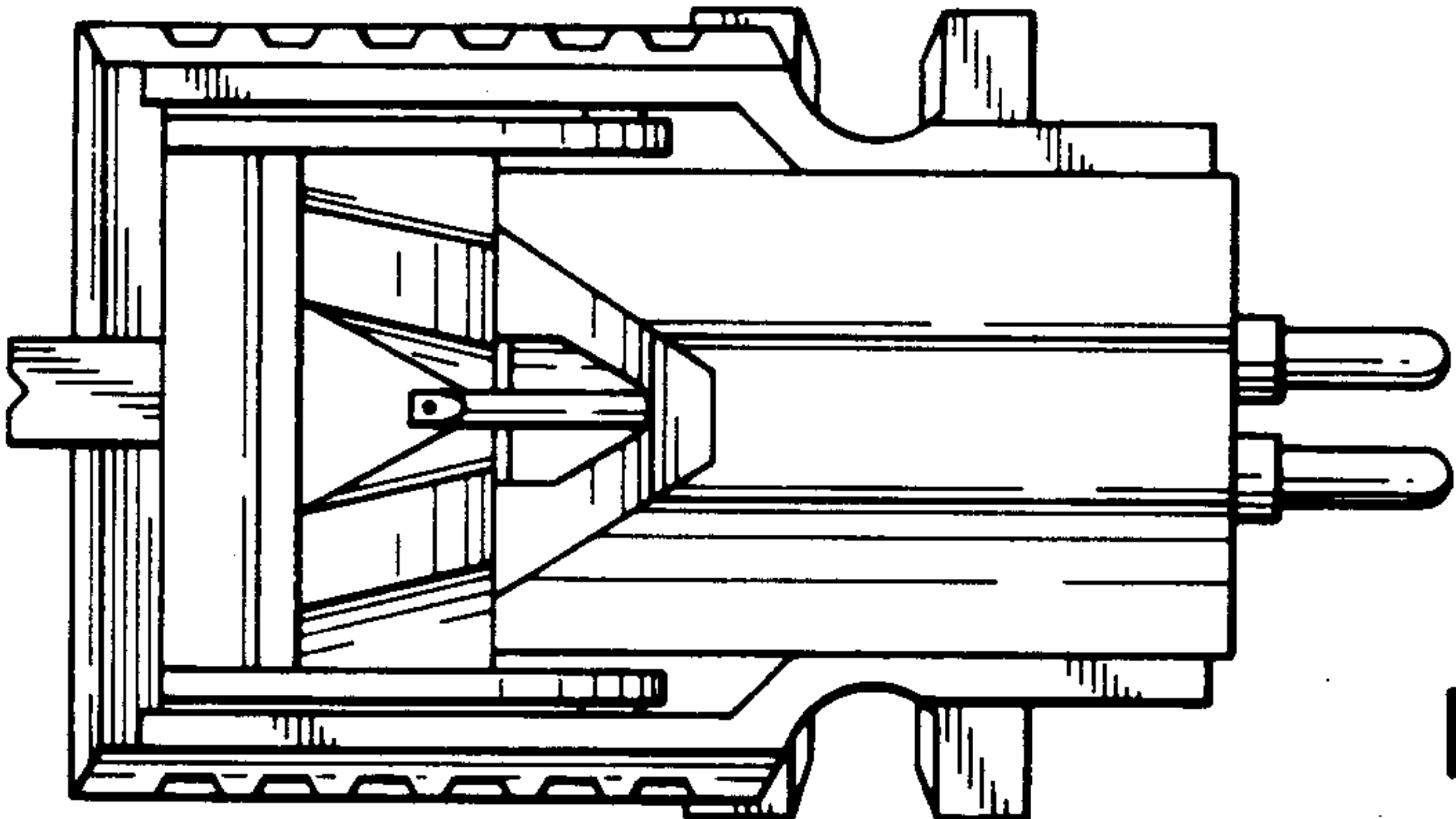


FIG. 5

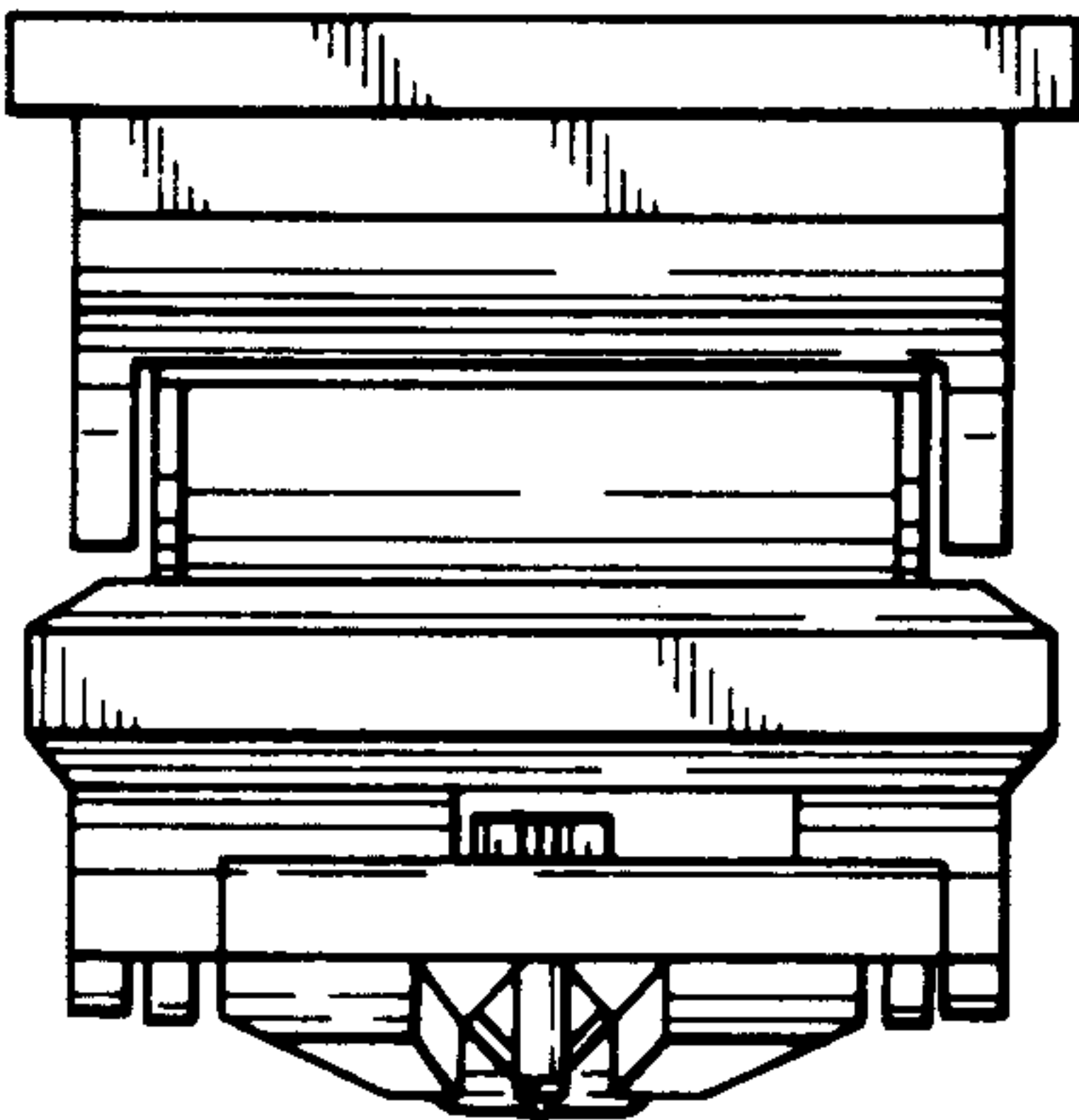


FIG. 6

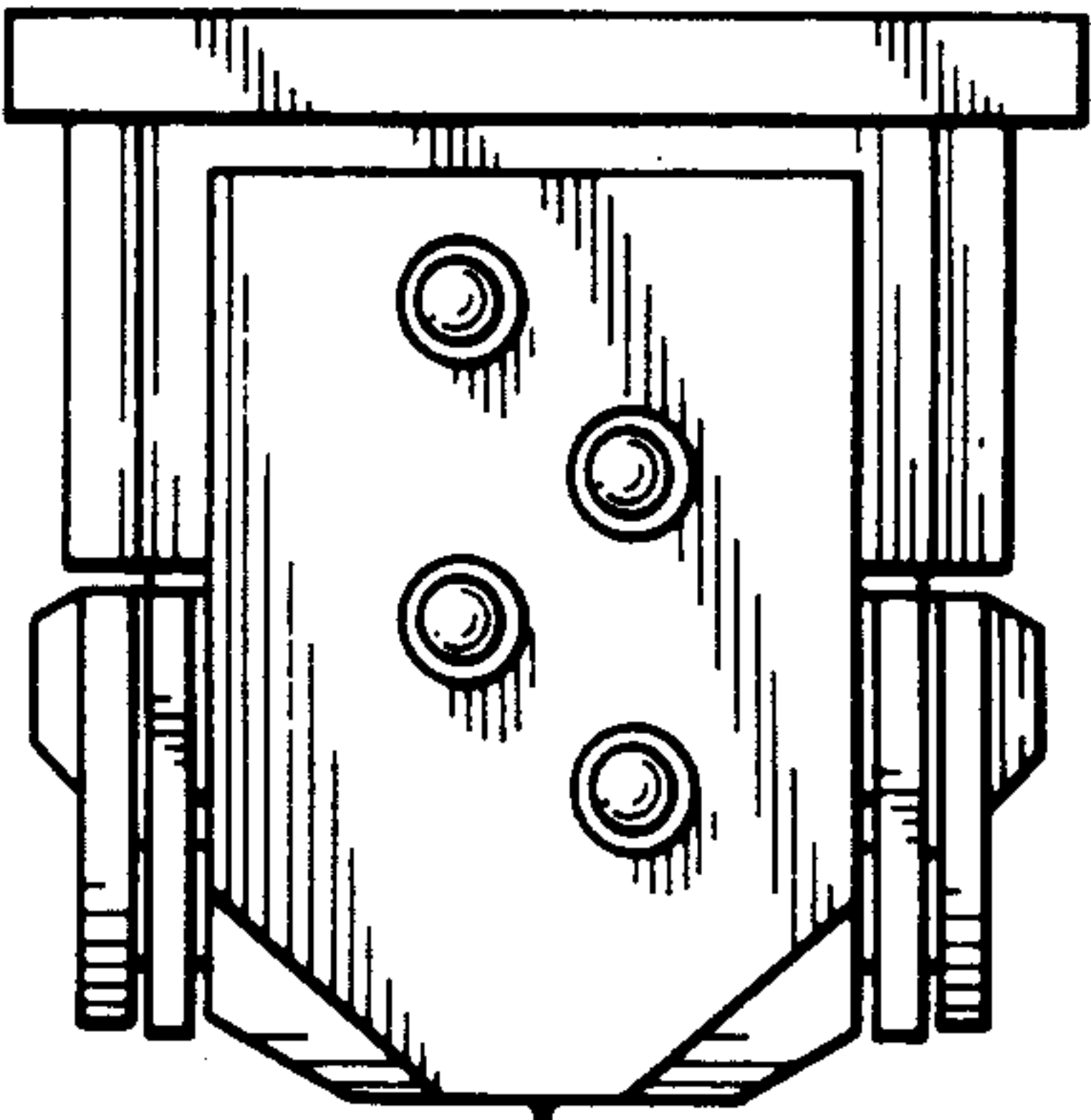


FIG. 7