

[54] ROLL BAR

[76] Inventor: John L. Milton, 554 55th St., Delta,
British Columbia, Canada, V4M 3J7

[**] Term: 14 Years

[21] Appl. No.: 947,877

[22] Filed: Oct. 2, 1978

[51] Int. Cl. D12-16

[52] U.S. Cl. D12/156

[58] Field of Search D12/156; 280/756

[56] References Cited

U.S. PATENT DOCUMENTS

3,622,177 11/1971 Notestine et al. 280/756

FOREIGN PATENT DOCUMENTS

2409076 8/1975 Fed. Rep. of Germany 280/756

Primary Examiner—James M. Gandy
Attorney, Agent, or Firm—Kellard A. Carter

[57] CLAIM

The ornamental design for roll bar, substantially as shown.

DESCRIPTION

FIG. 1 is an isometric view of a roll bar showing my new design;

FIG. 2 is a front elevational view thereof;

FIG. 3 is an elevational view showing one side thereof;

FIG. 4 is an elevational view showing the side thereof opposite to that in FIG. 3;

FIG. 5 is a top plan view thereof;

FIG. 6 is a bottom plan view thereof; and

FIG. 7 is a rear elevational view thereof.

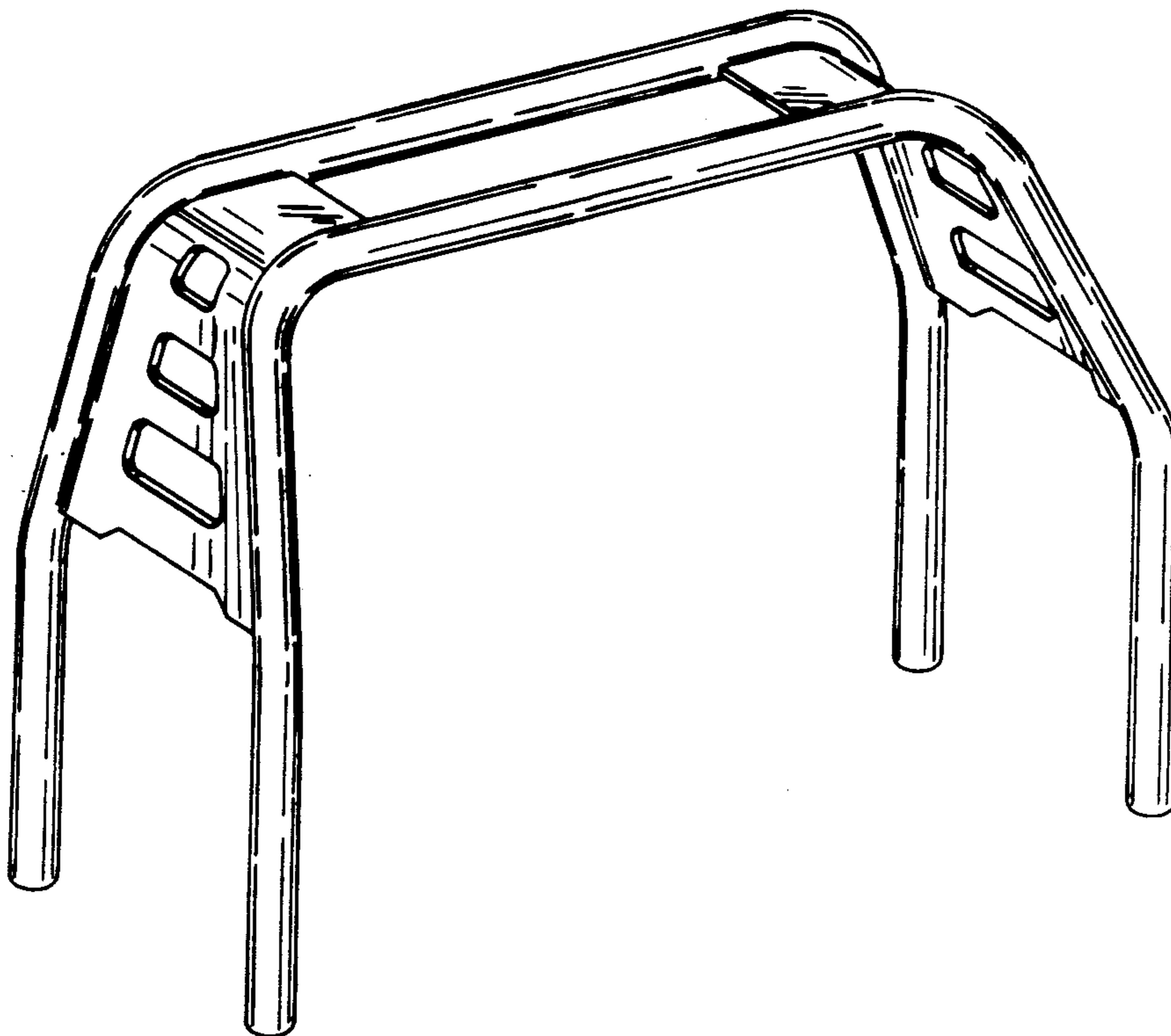


Fig. 1.

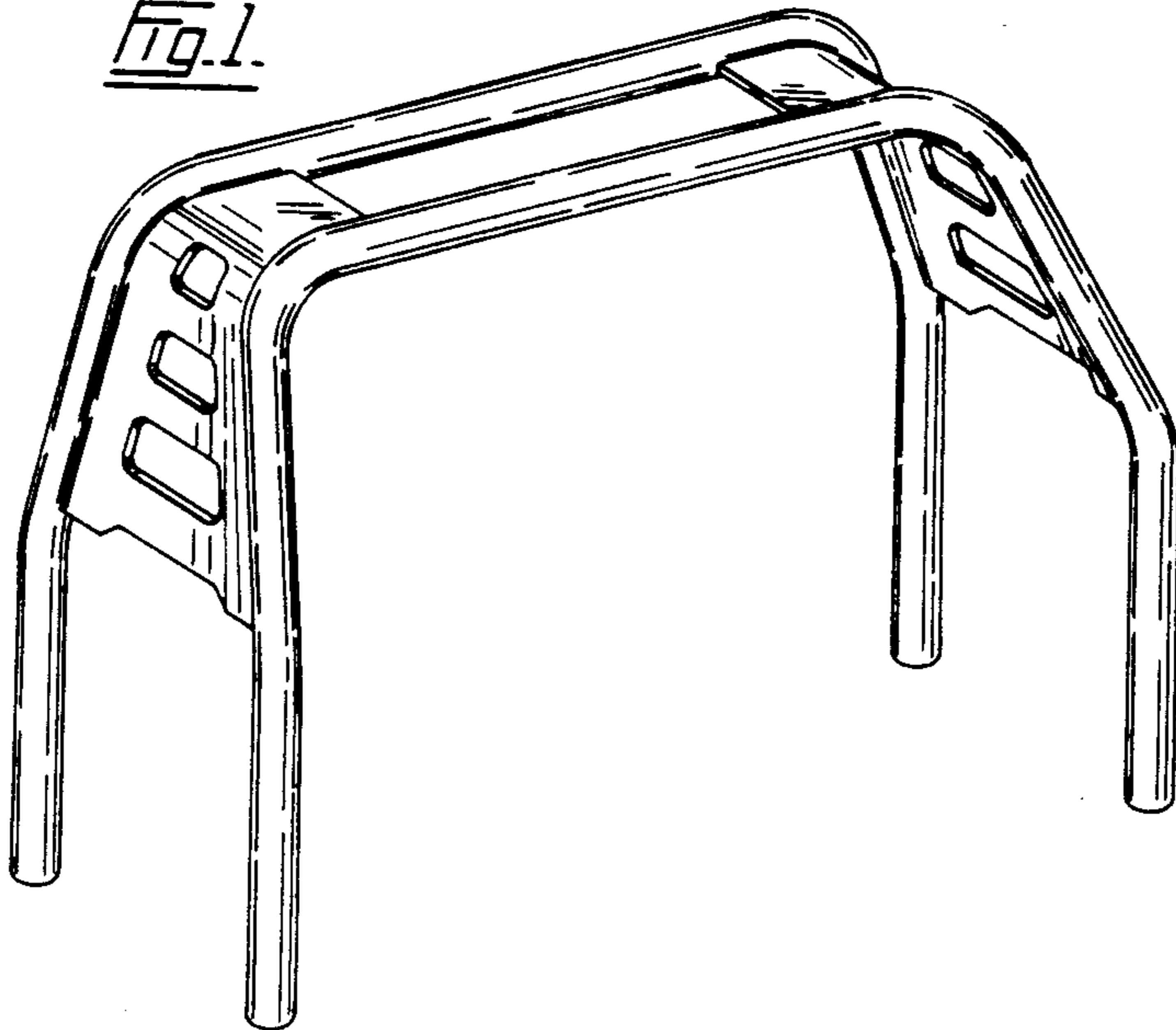


Fig. 3.

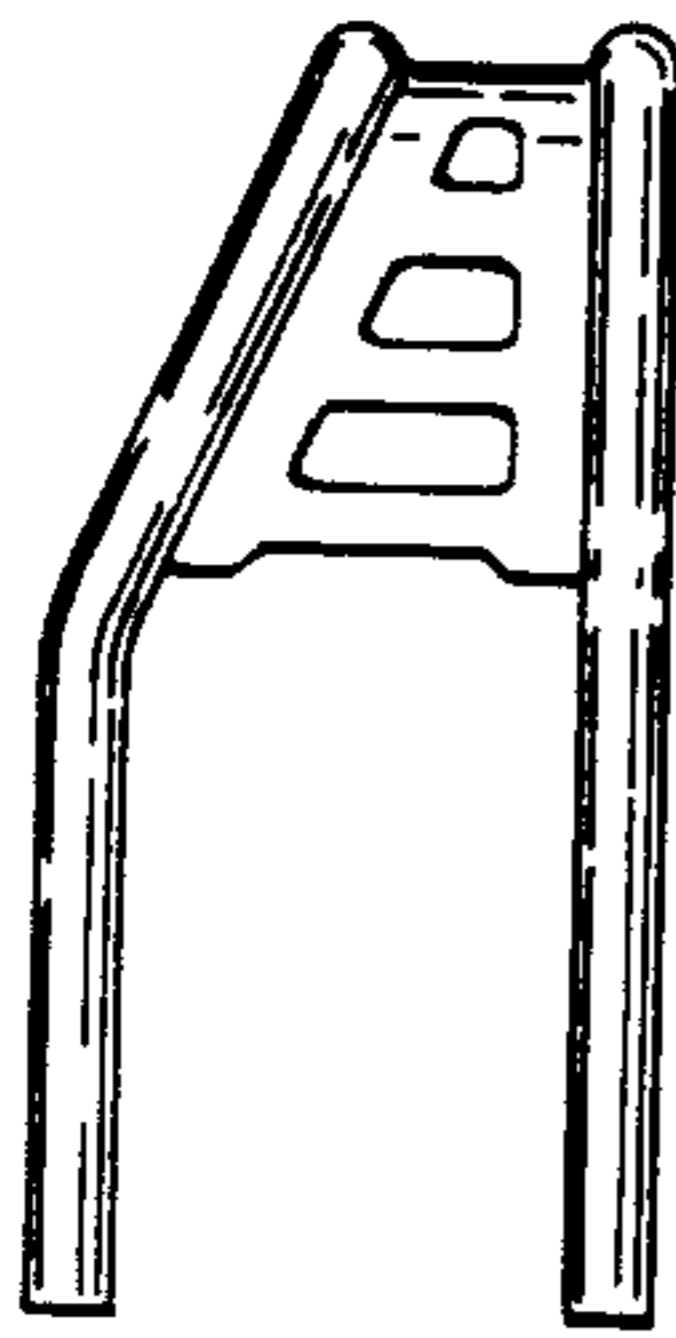


Fig. 2.

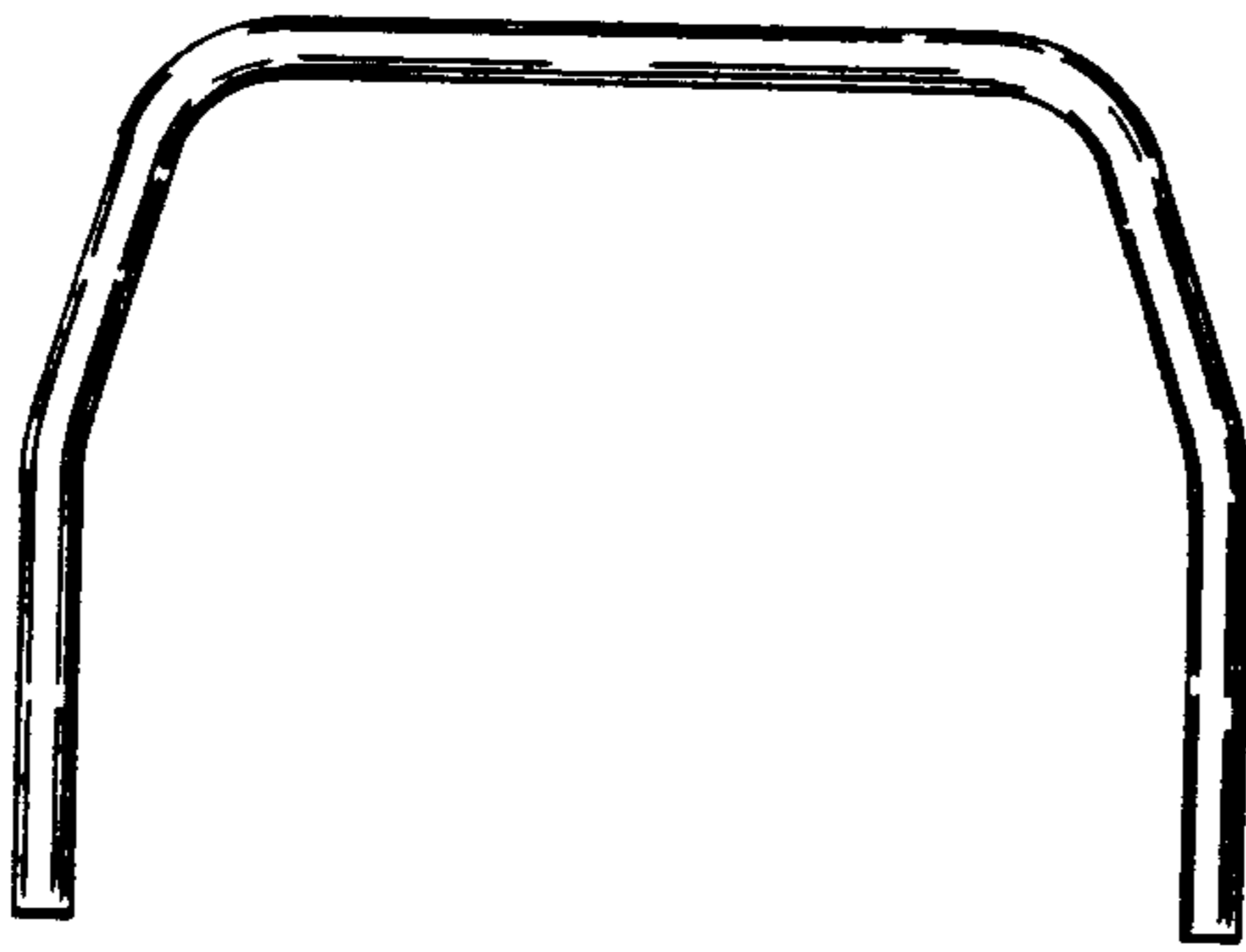


Fig. 4.

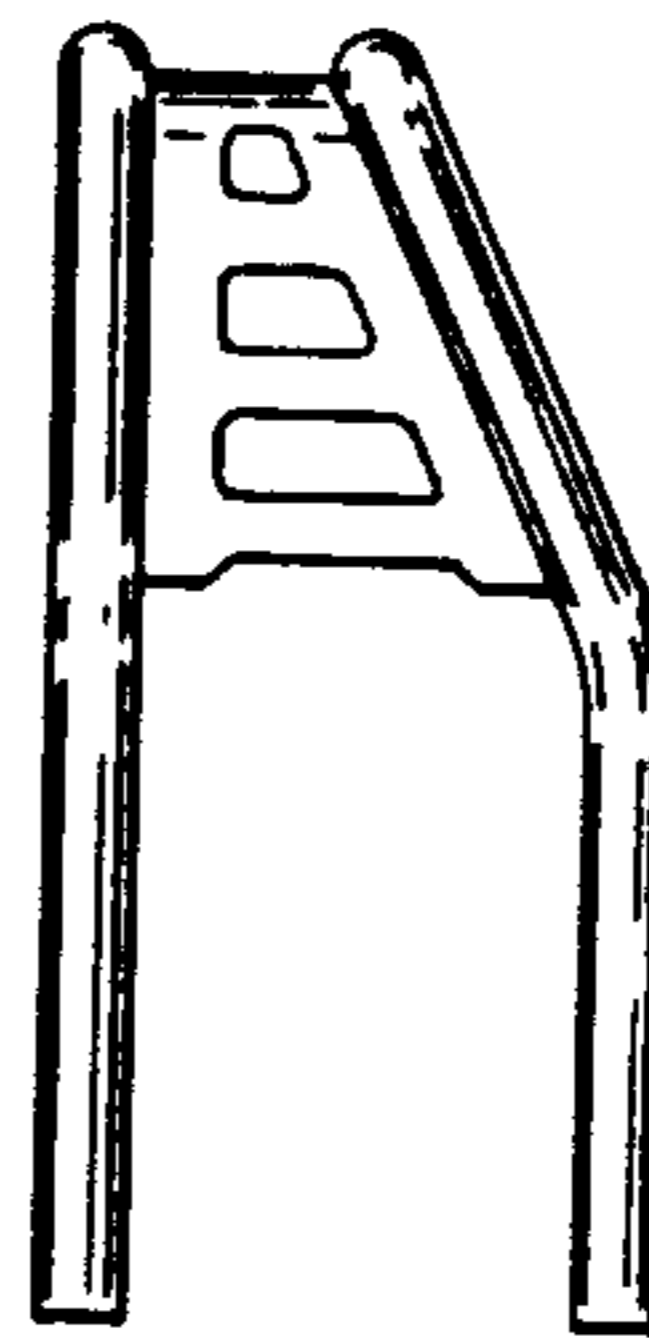


Fig. 5.

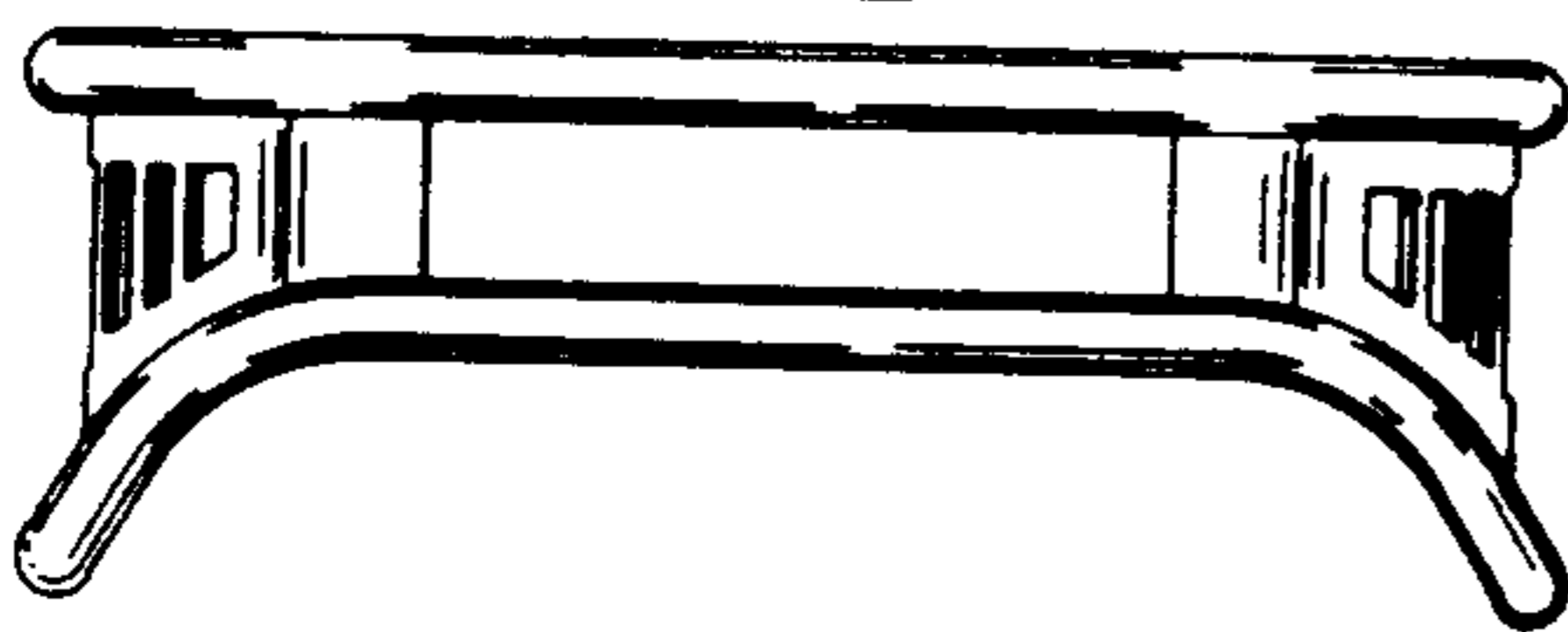


Fig. 7.

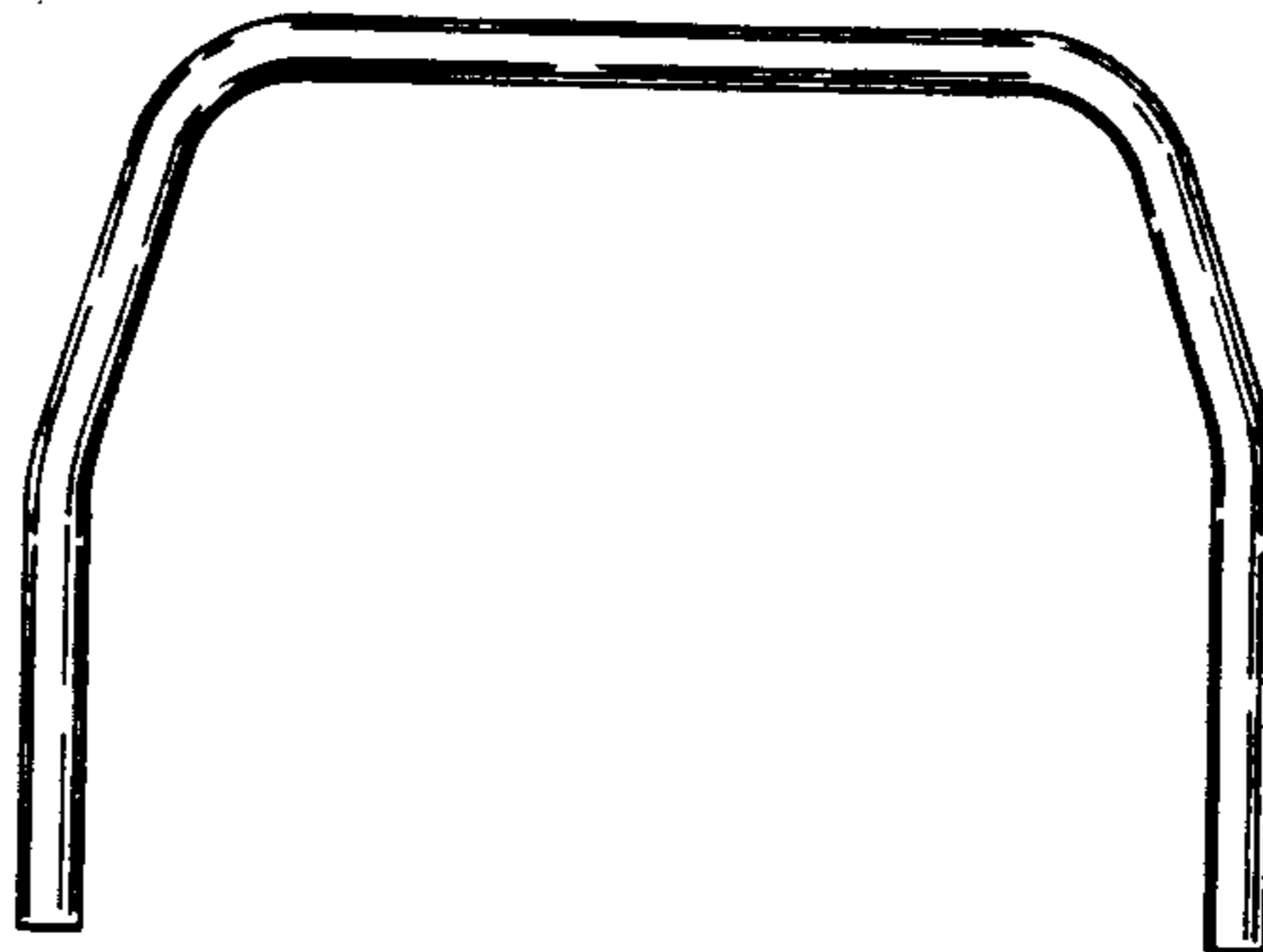


Fig. 6.

