

[54] BRACKET FOR RETRACTABLE AWNINGS

[75] Inventor: Donald S. McKee, Louisville, Colo.

[73] Assignee: The Scott & Fetzer Company, Lakewood, Ohio

[**] Term: 14 Years

[21] Appl. No.: 8,324

[22] Filed: Feb. 1, 1979

[51] Int. Cl. D8-08

[52] U.S. Cl. D8/354; D8/366

[58] Field of Search D8/354, 363, 366, 373, D8/382, 394, 396; D25/57, 74, 75, 76; 248/256, 273, 252; 160/23 R, 22, 67, 66, 68

[56] References Cited

U.S. PATENT DOCUMENTS

D. 202,573	10/1965	Horning	D8/354
D. 234,337	2/1975	Block	D8/354 X
D. 240,013	5/1976	McKee	D8/354

2,890,853	6/1959	D'Azzo	248/273
3,722,571	3/1973	Knight et al.	160/23 R X
4,020,888	5/1977	Upton et al.	160/66
4,033,397	7/1977	McKee	160/67 X

Primary Examiner—A. Hugo Word
Attorney, Agent, or Firm—Gary M. Polumbus

[57] CLAIM

The ornamental design for a bracket for retractable awnings, as shown.

DESCRIPTION

FIG. 1 is a perspective view of the bracket of the present invention.

FIG. 2 is a top plan elevation of the bracket shown in FIG. 1.

FIG. 3 is an end elevation of the bracket shown in FIG. 1.

FIG. 4 is a side elevation of the bracket shown in FIG. 1.

FIG. 5 is a bottom plan view of the bracket shown in FIG. 1.

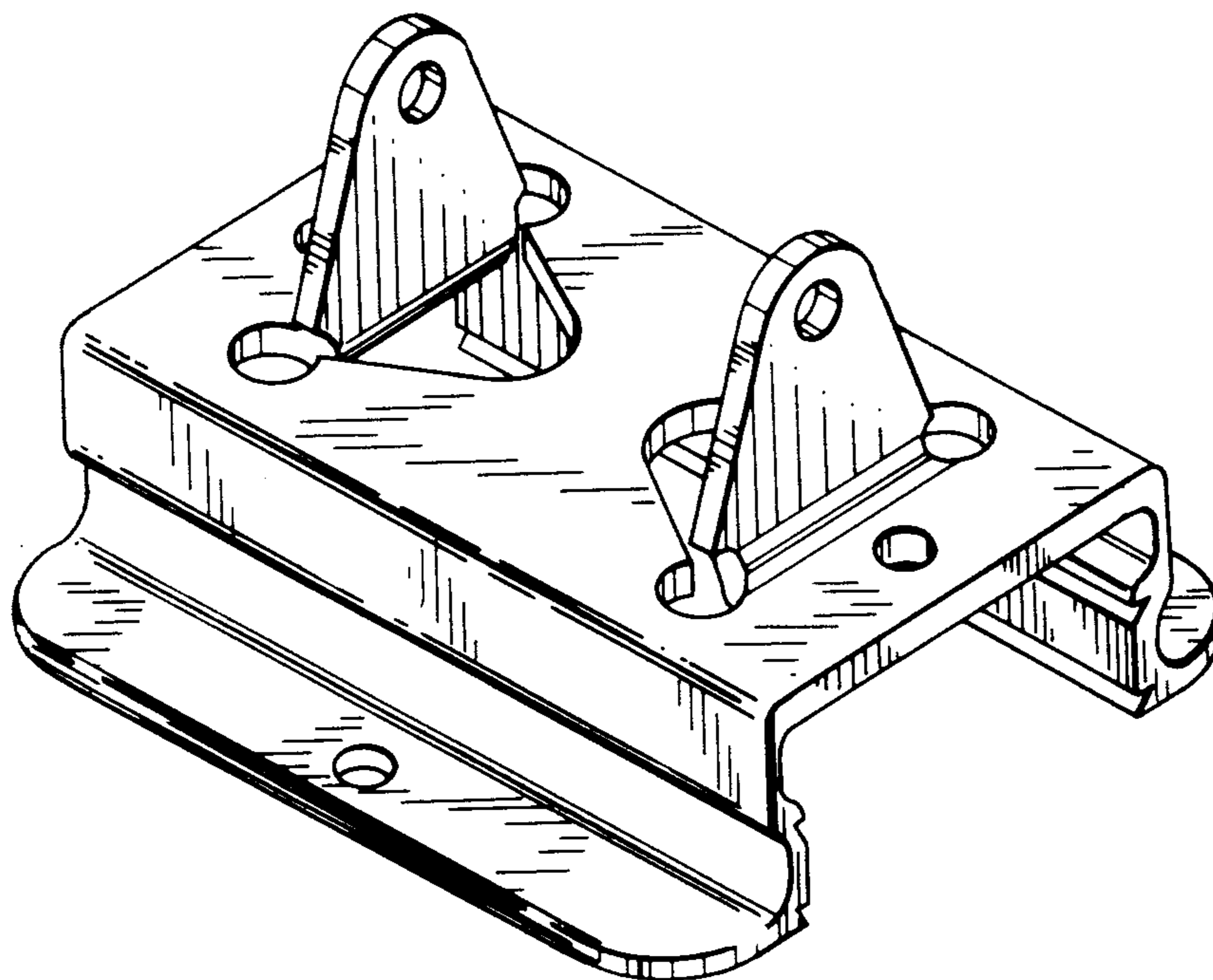


Fig.-1

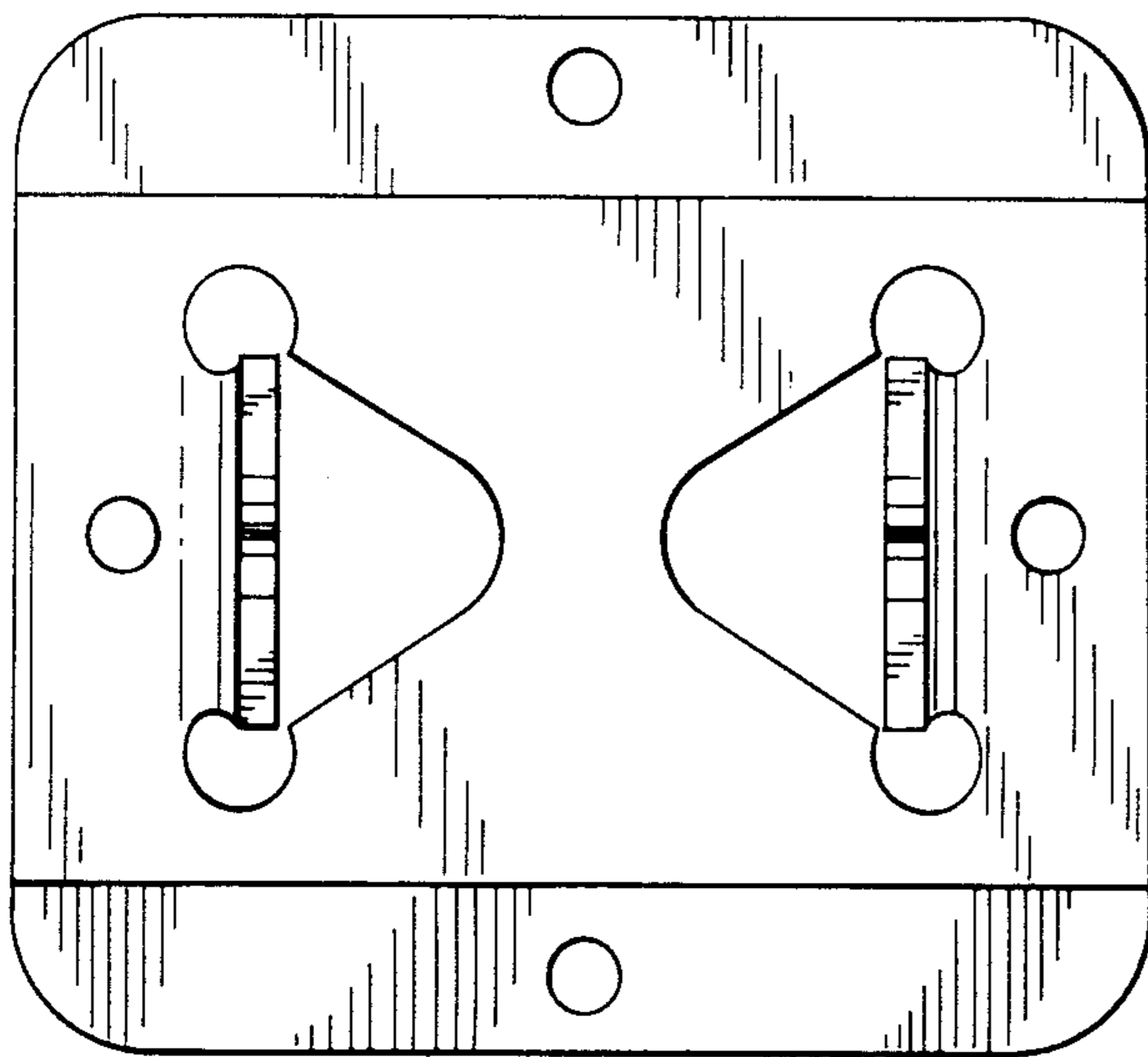
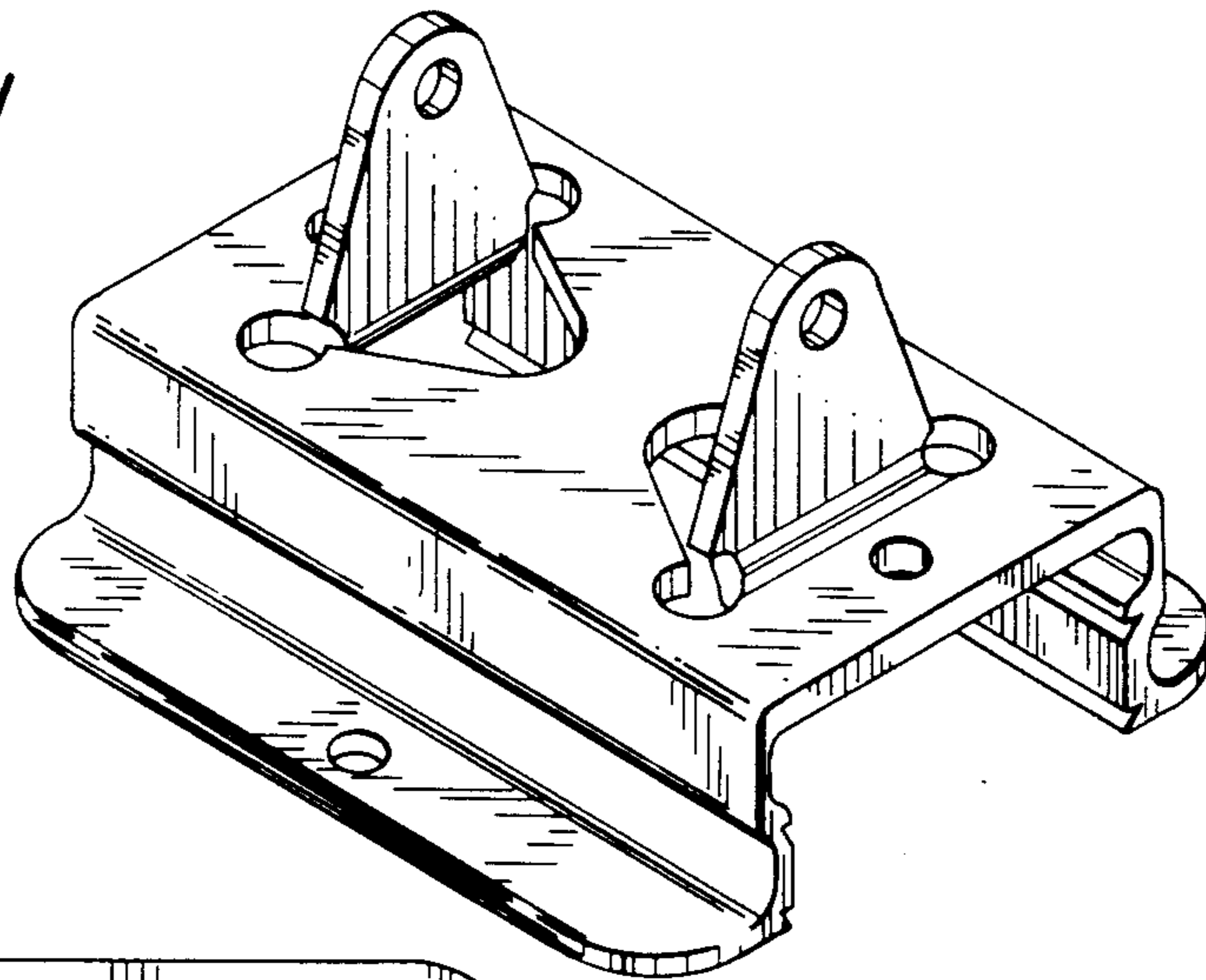
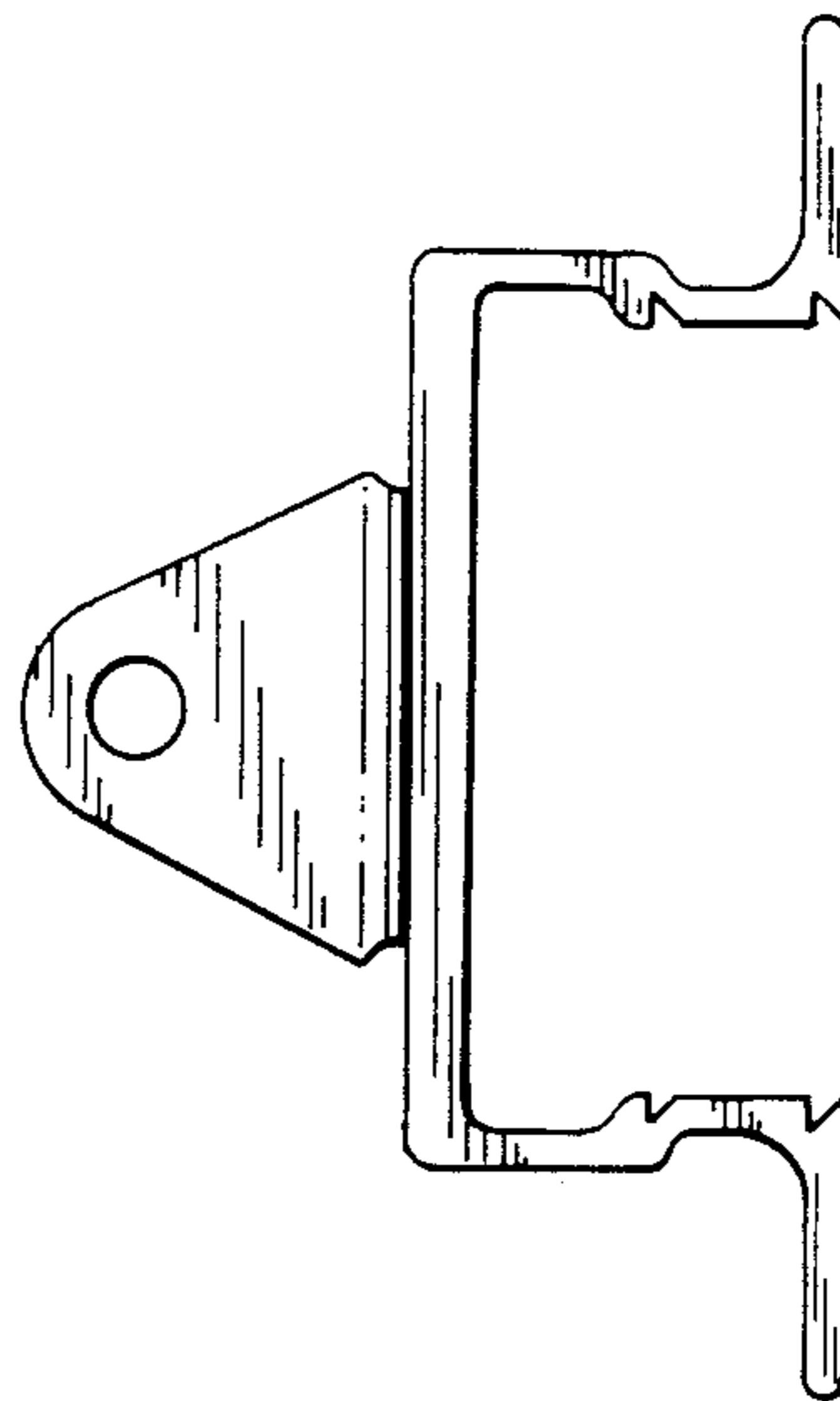


Fig. - 2

Fig.- 3



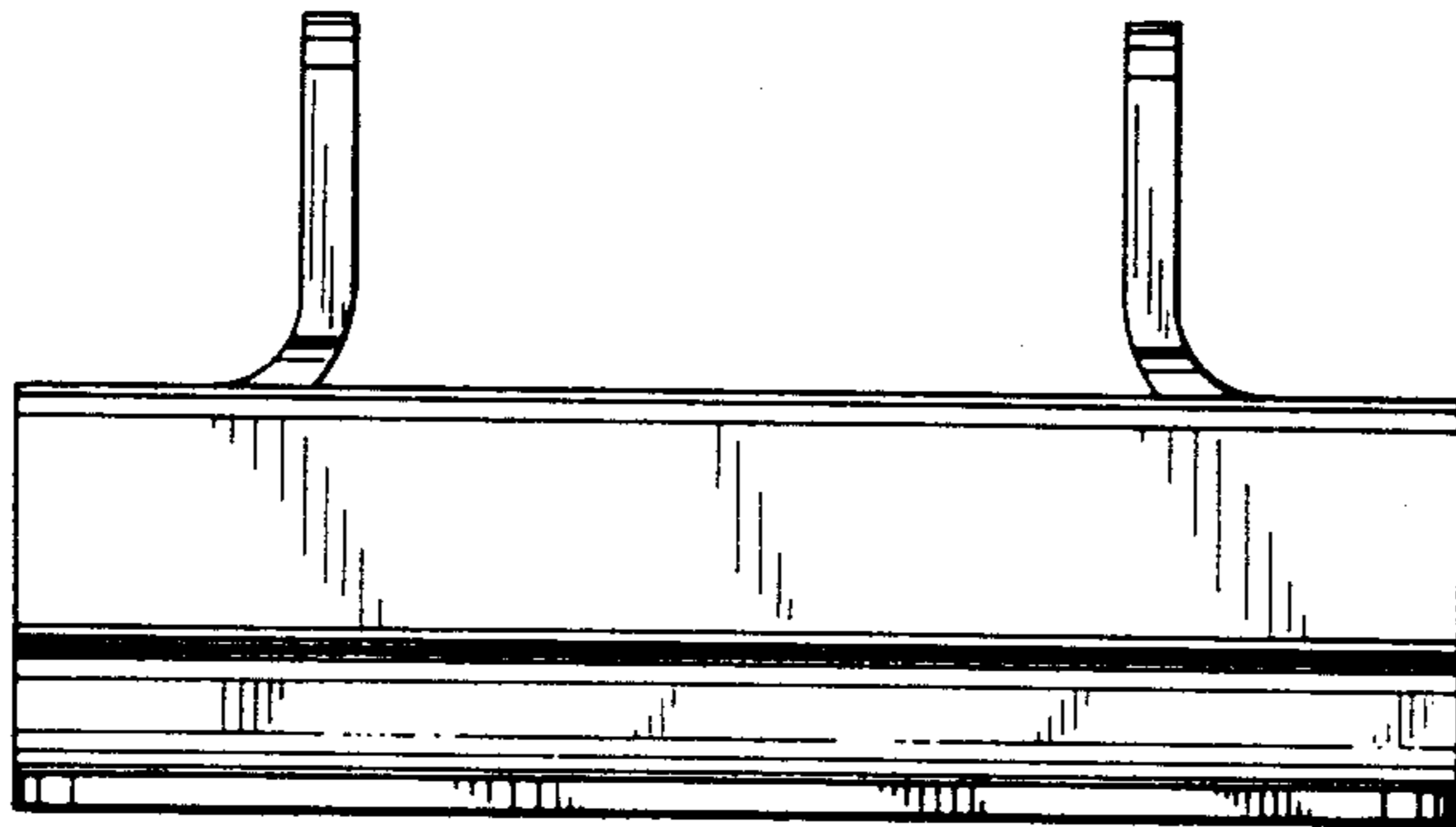


Fig.- 4

Fig.- 5

