

[54] LUGGAGE

[75] Inventors: **Ira R. Katz**, Nashville; **Robert P. Davis**, Lebanon, both of Tenn.

[73] Assignee: **Hartmann Luggage Company**, Lebanon, Tenn.

[**] Term: **14 Years**

[21] Appl. No.: **24,627**

[22] Filed: **Mar. 28, 1979**

[51] Int. Cl. **D3-01**

[52] U.S. Cl. **D3/71; D3/74; D3/76**

[58] Field of Search **D3/30, 42, 48, 53, 71, D3/76, 74, 77, 33; 190/41 Z, 41 R, 41 B, 43, 51, 52**

[56] **References Cited**

U.S. PATENT DOCUMENTS

D. 230,327 2/1974 Cooperstein D3/71

D. 234,410	2/1975	Rosenblum	D3/48
D. 247,460	3/1978	Sykes	D3/33
D. 249,824	10/1978	Koszegi	D3/33
3,696,850	10/1972	Rosenblum	190/52

OTHER PUBLICATIONS

Luggage & Travelware 4/78, p. 25.

Primary Examiner—George P. Word
Attorney, Agent, or Firm—Allan B. Wheeler

[57] **CLAIM**

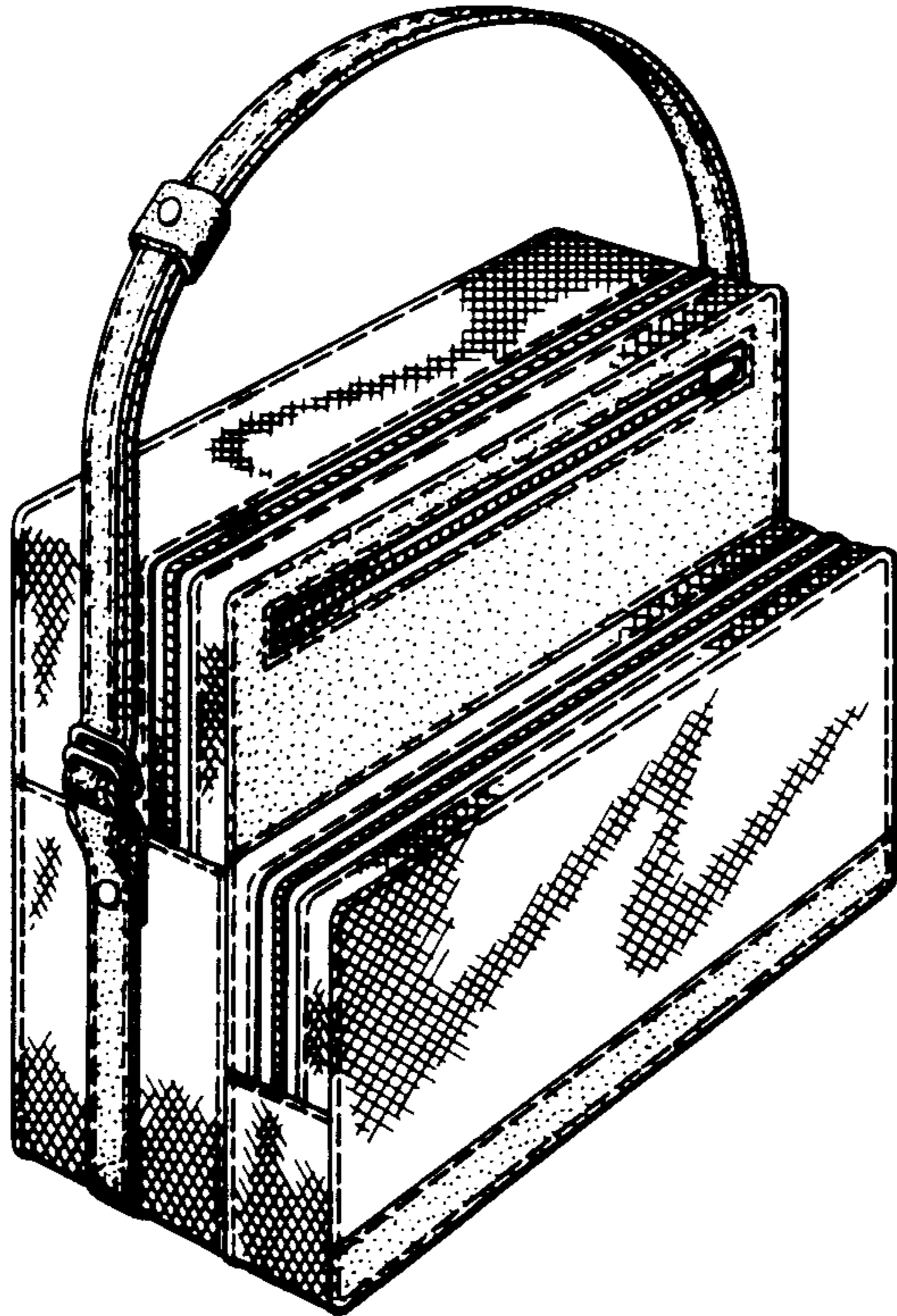
The ornamental design for luggage, as shown and described.

DESCRIPTION

FIG. 1 is a left front perspective view of luggage showing our new design; and

FIG. 2 is a right rear perspective view thereof.

The bottom surface is plain and unornamented except for the continuous intermediate seam and strap. The partial showing of surface shading indicating a fabric texture is understood to be continuous on those surfaces where shown.



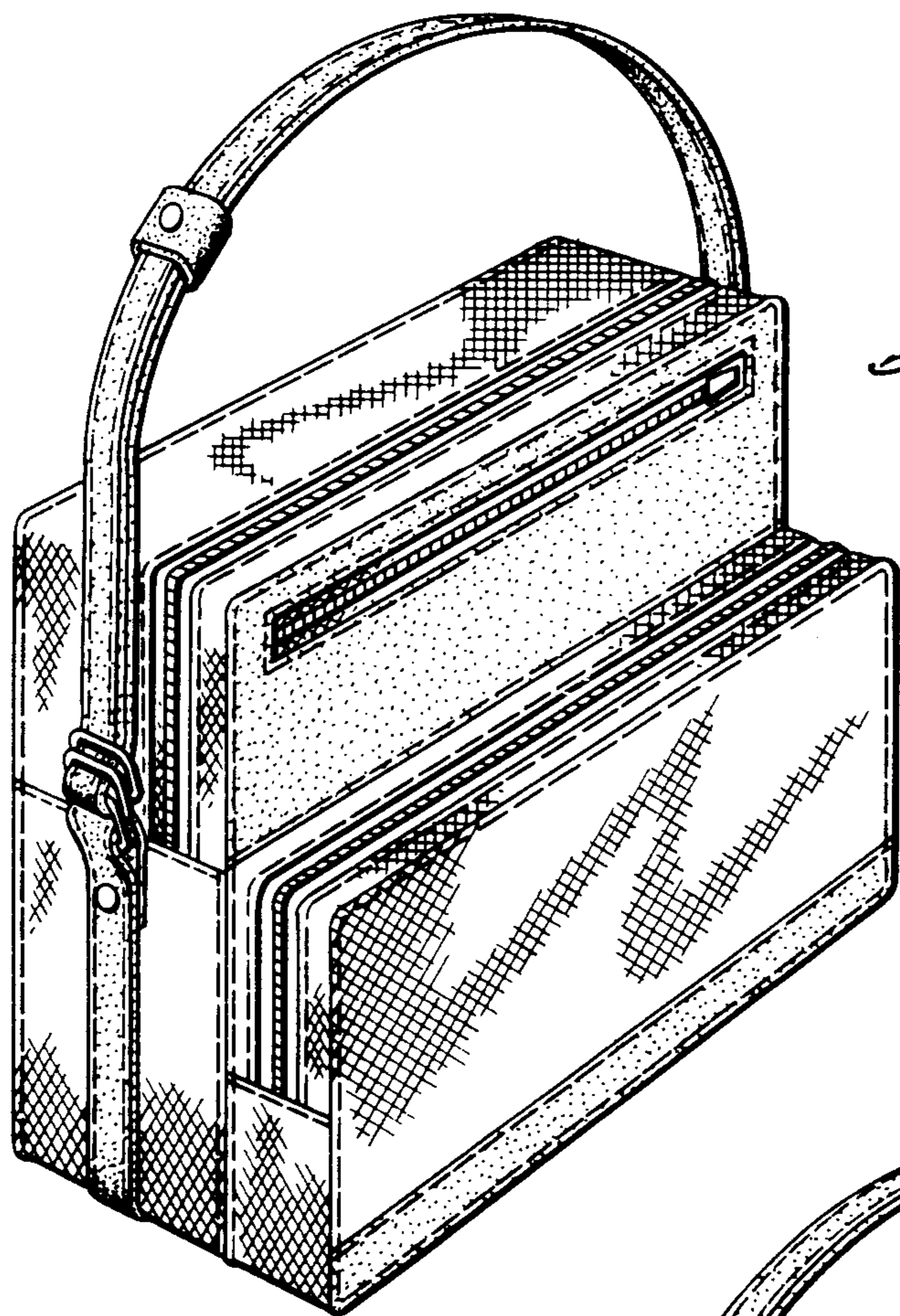


Fig. 1

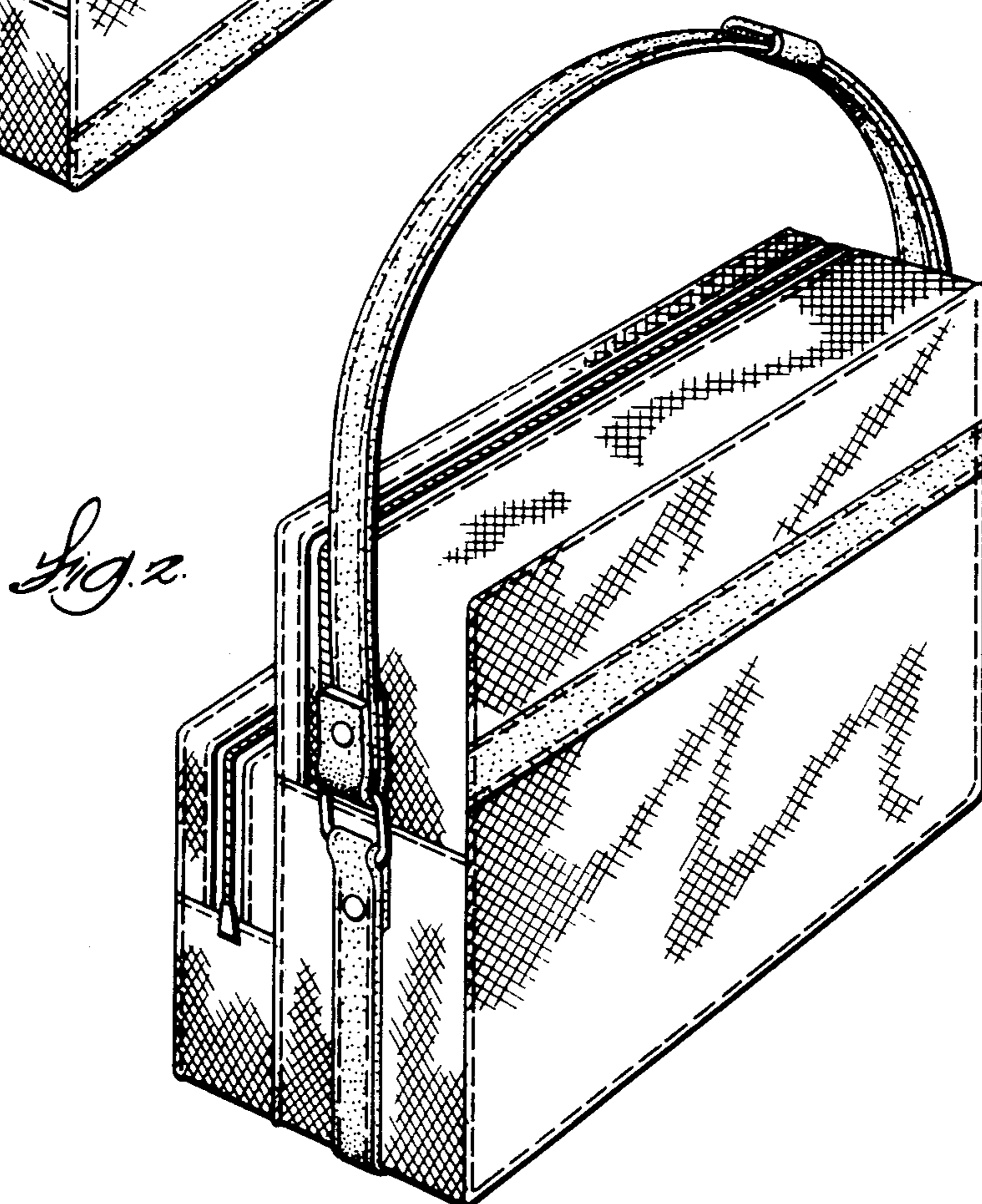


Fig. 2