

- [54] AUDIO CASSETTE ALBUM
- [75] Inventor: **Stepen G. Belgin**, Campbell, Calif.
- [73] Assignee: **Memorex Corporation**, Santa Clara, Calif.
- [\*\*] Term: **14 Years**
- [21] Appl. No.: **928,847**
- [22] Filed: **Jul. 27, 1978**
- [51] Int. Cl. .... **D3—02**
- [52] U.S. Cl. .... **D3/35; D3/78**
- [58] Field of Search ..... **D3/35, 78, 75; D14/6, D14/11; 206/387**

[56] **References Cited**

**U.S. PATENT DOCUMENTS**

D. 213,157	1/1969	Wallace .....	D3/35
3,272,325	9/1966	Schoenmakers .....	206/387
3,737,067	6/1973	Palson .....	206/387
3,754,639	8/1973	Gellert .....	206/387

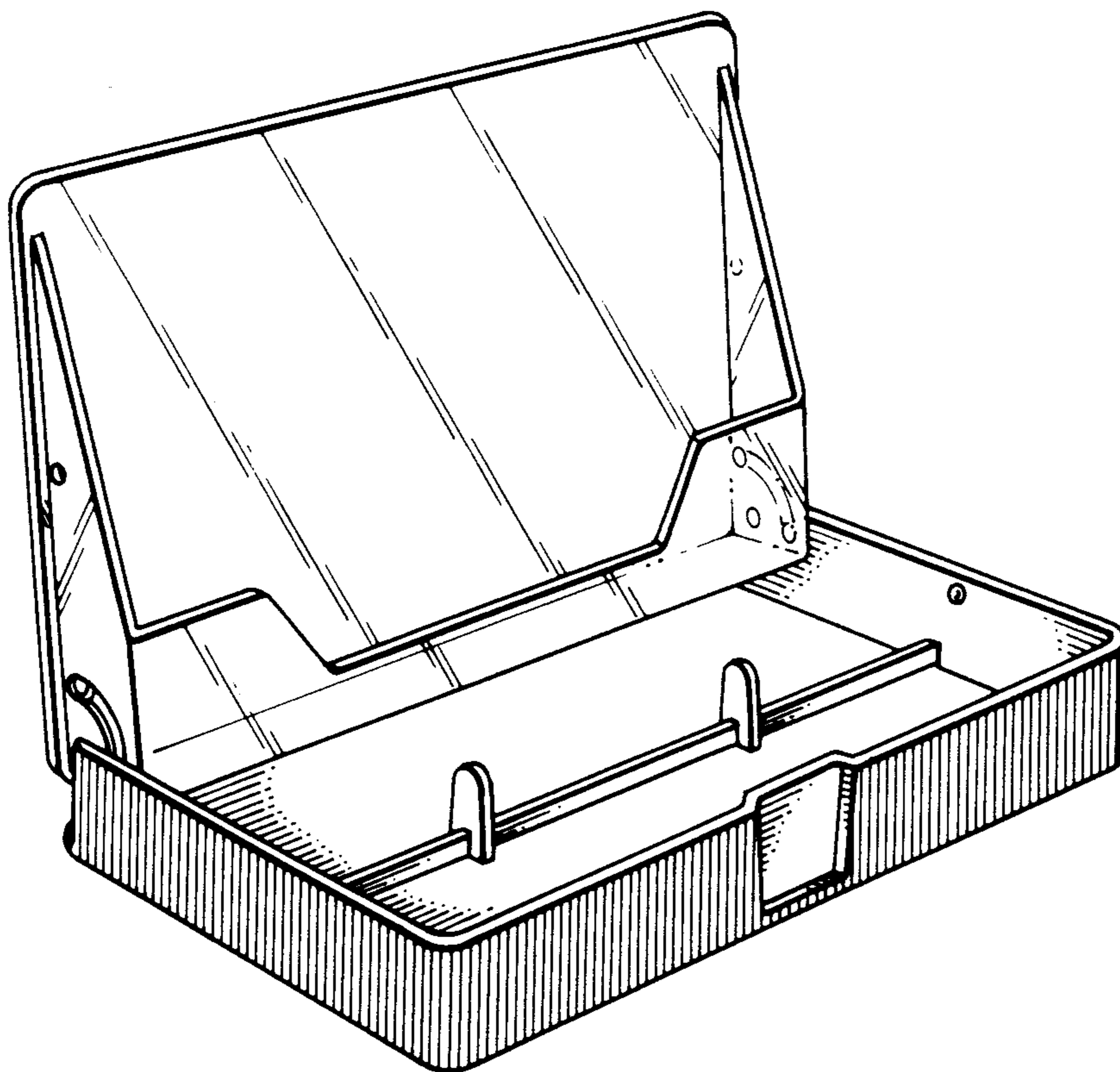
*Primary Examiner*—George P. Word  
*Attorney, Agent, or Firm*—David W. Heid

[57] **CLAIM**

The ornamental design for an audio cassette album, as shown and described.

**DESCRIPTION**

FIG. 1 is a perspective view of an audio cassette album showing my new design;  
FIG. 2 is a top plan view thereof;  
FIG. 3 is a left end elevational view thereof;  
FIG. 4 is a front elevational view thereof;  
FIG. 5 is a bottom plan view thereof;  
FIG. 6 is a rear elevational view thereof;  
FIG. 7 is a perspective view of the audio cassette album with the cover in an open position;  
FIG. 8 is a top plan view thereof;  
FIG. 9 is a left end elevational view thereof;  
FIG. 10 is a front elevational view thereof;  
FIG. 11 is a rear elevational view thereof.



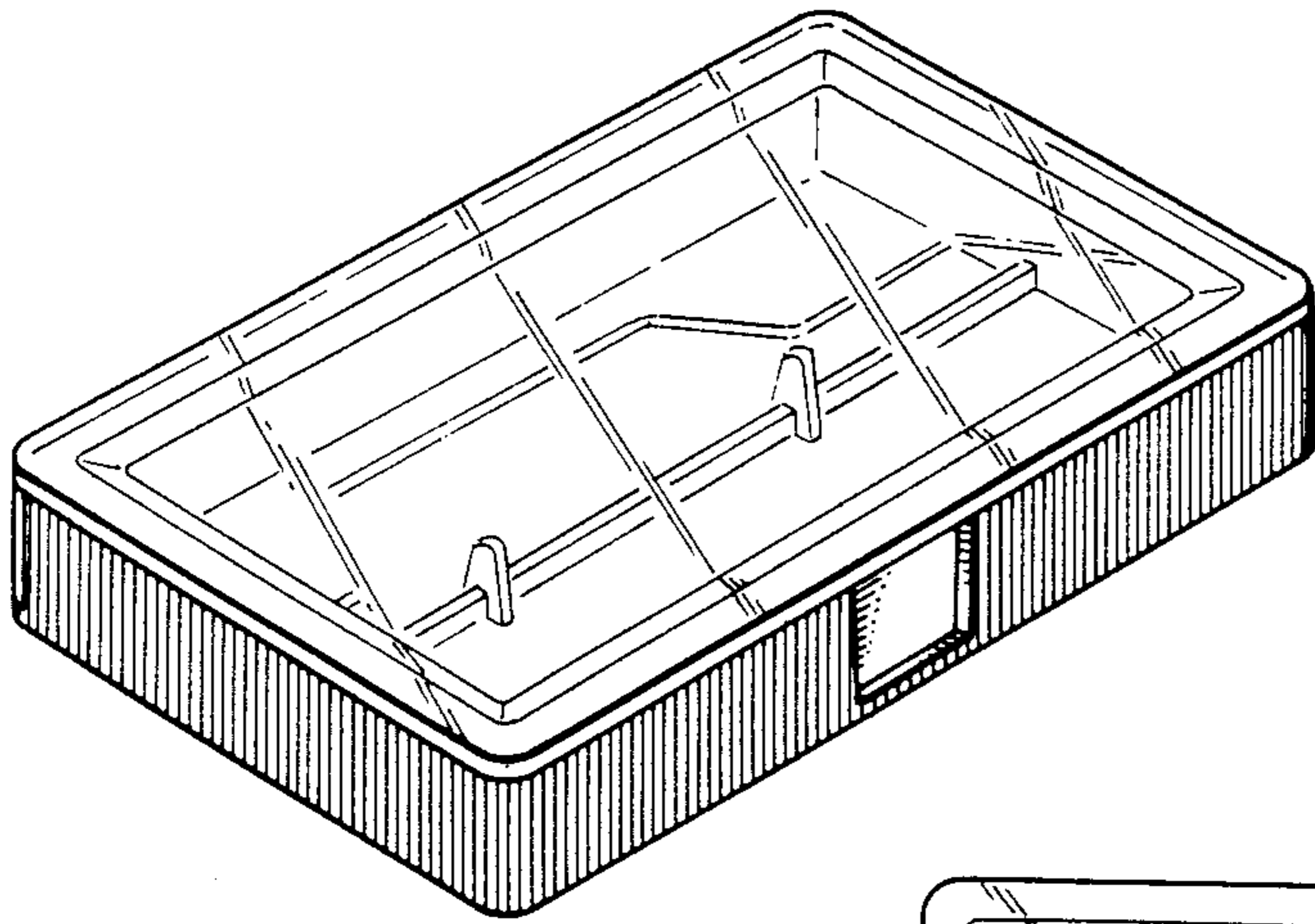


FIG. 1.

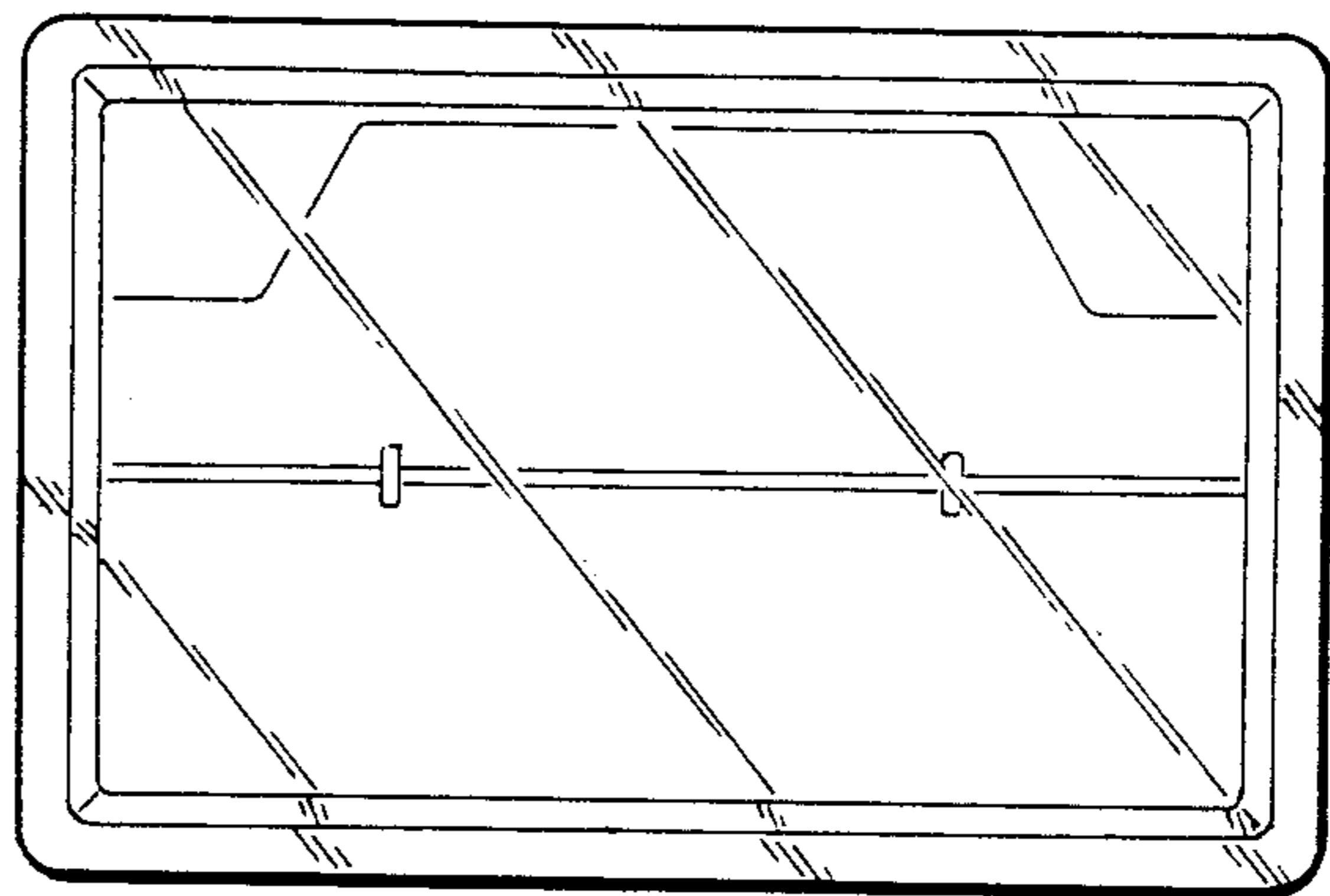


FIG. 2.

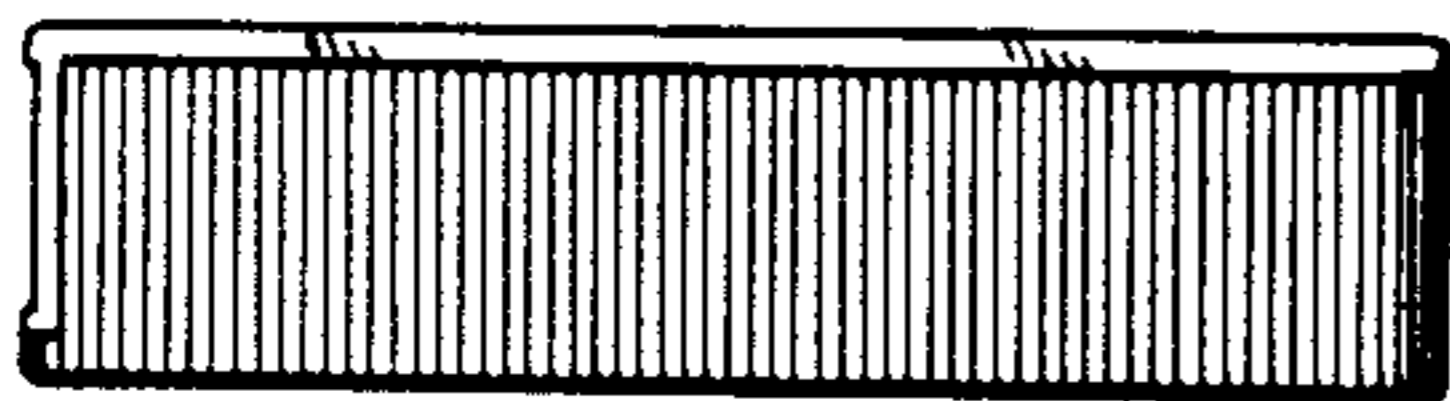


FIG. 3.

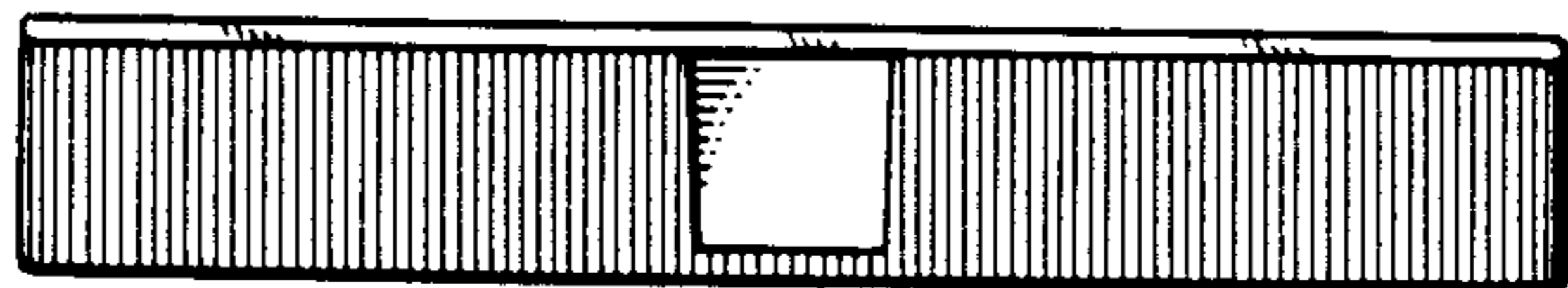


FIG. 4.

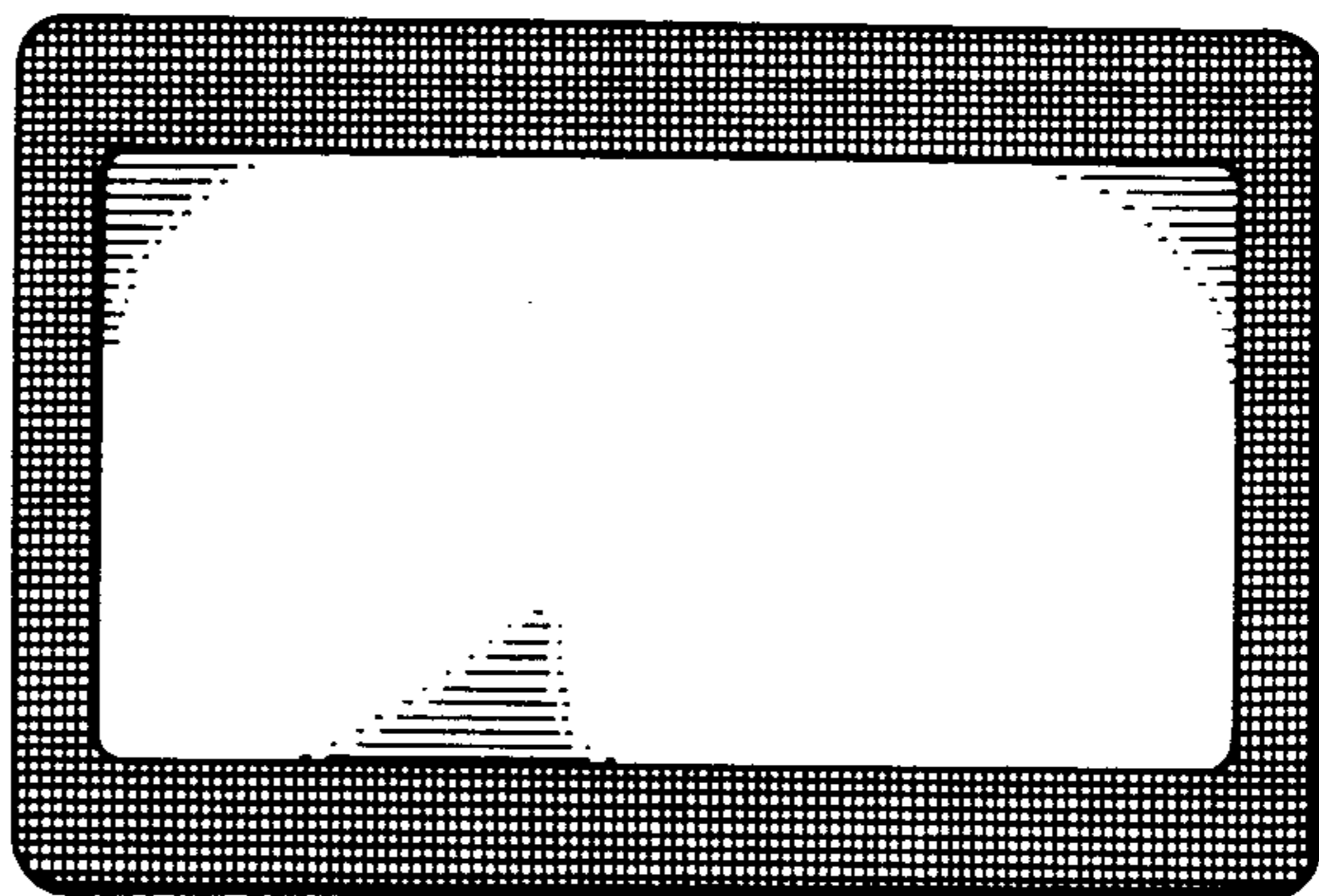


FIG. 5.

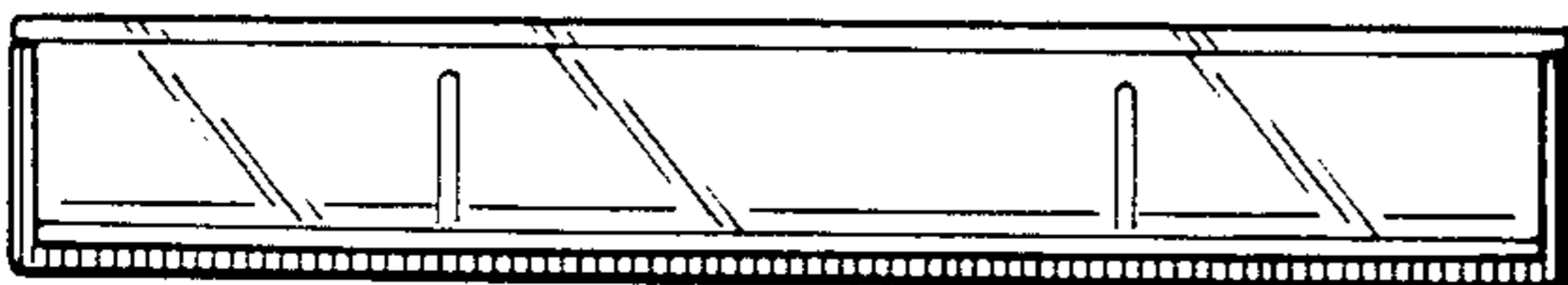


FIG. 6.

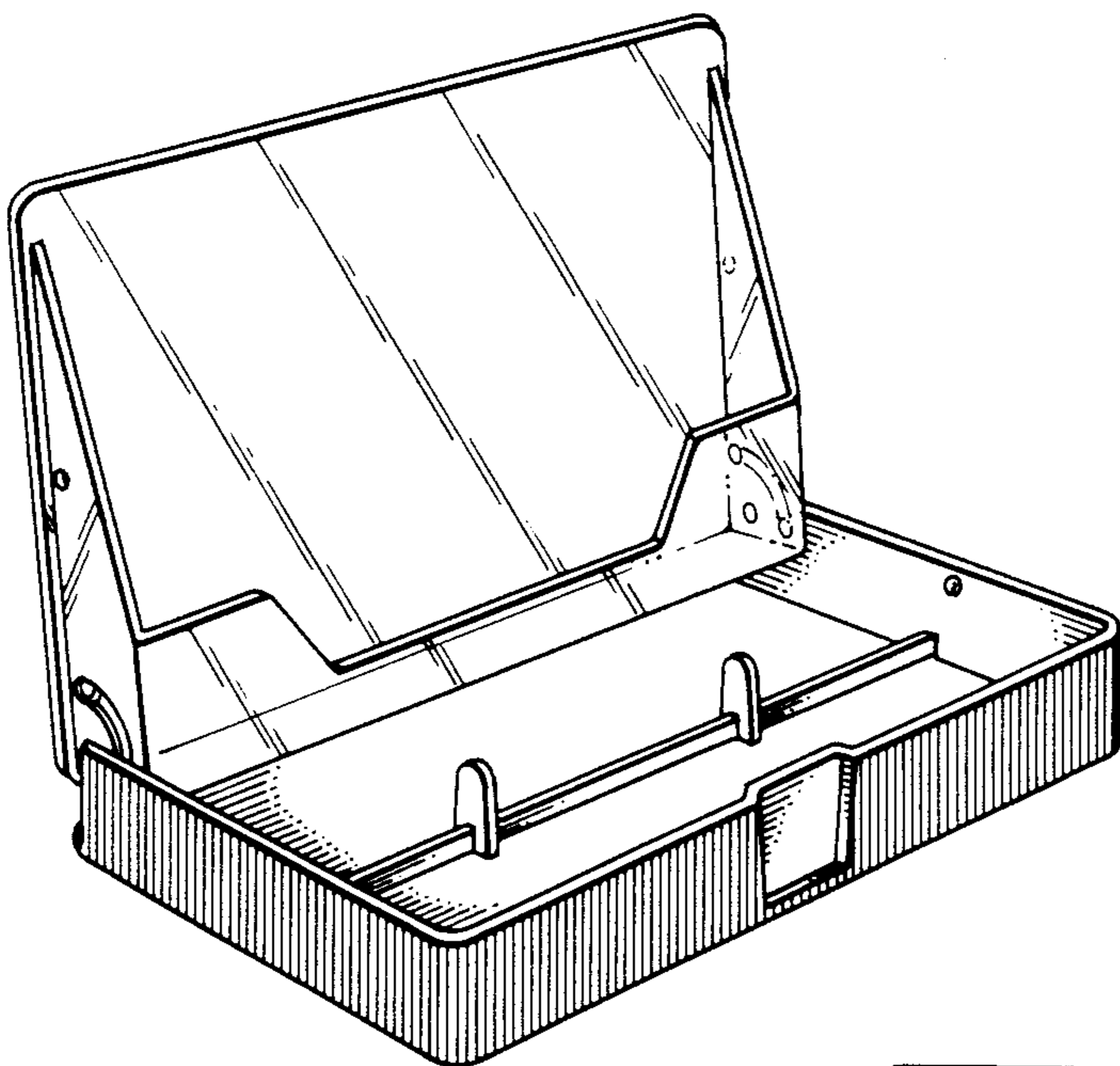


FIG. 7.

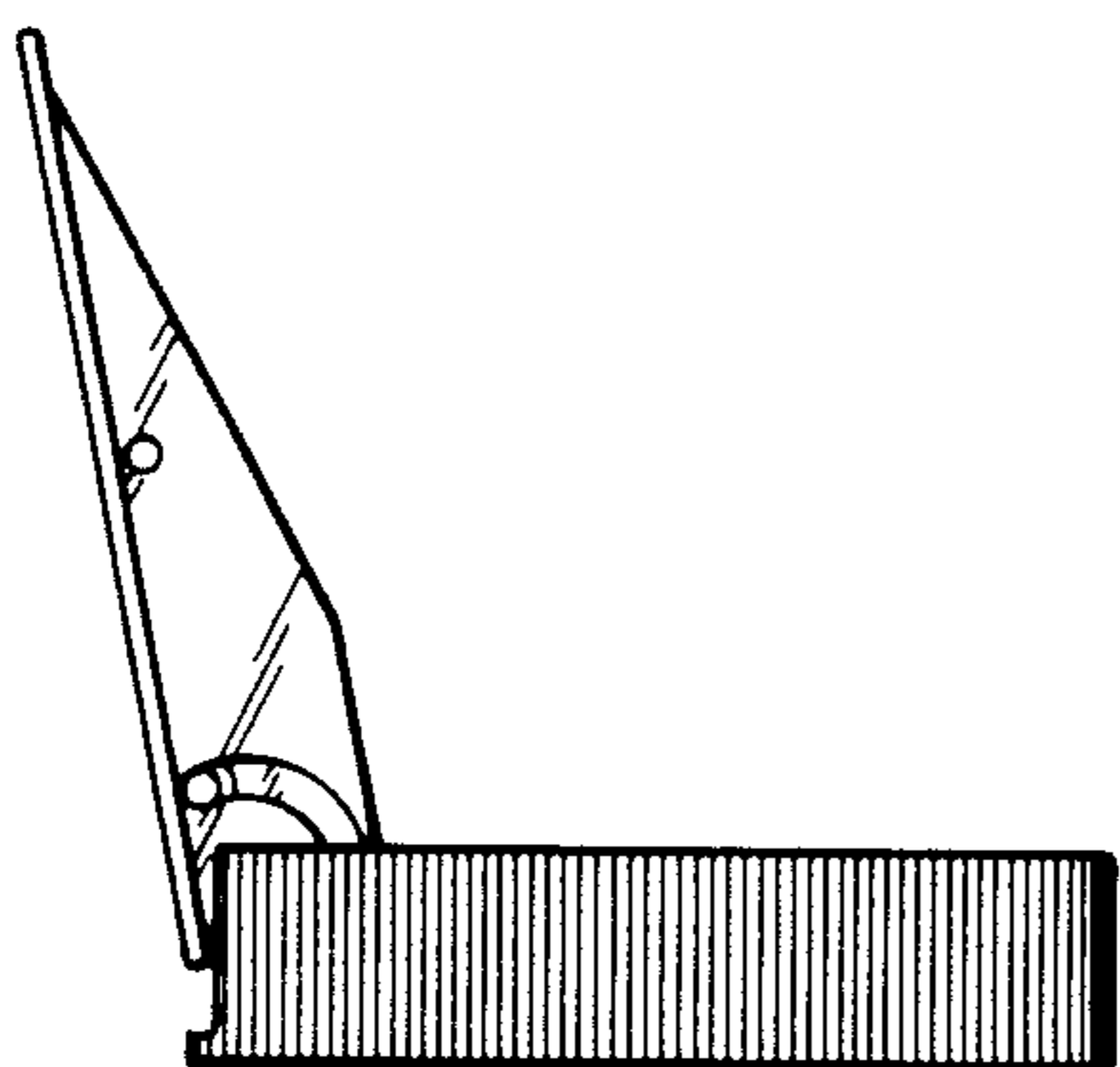


FIG. 9.

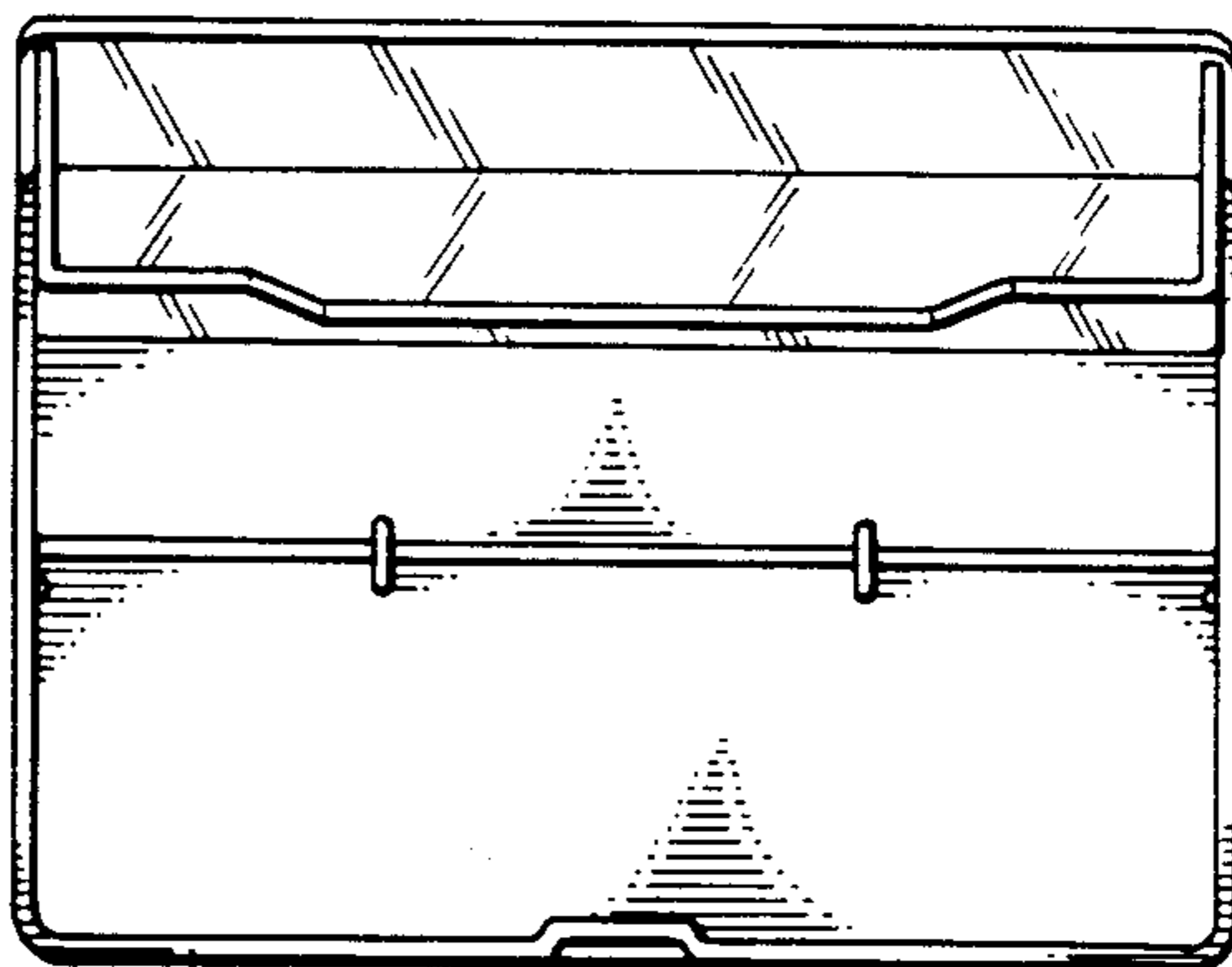


FIG. 8.

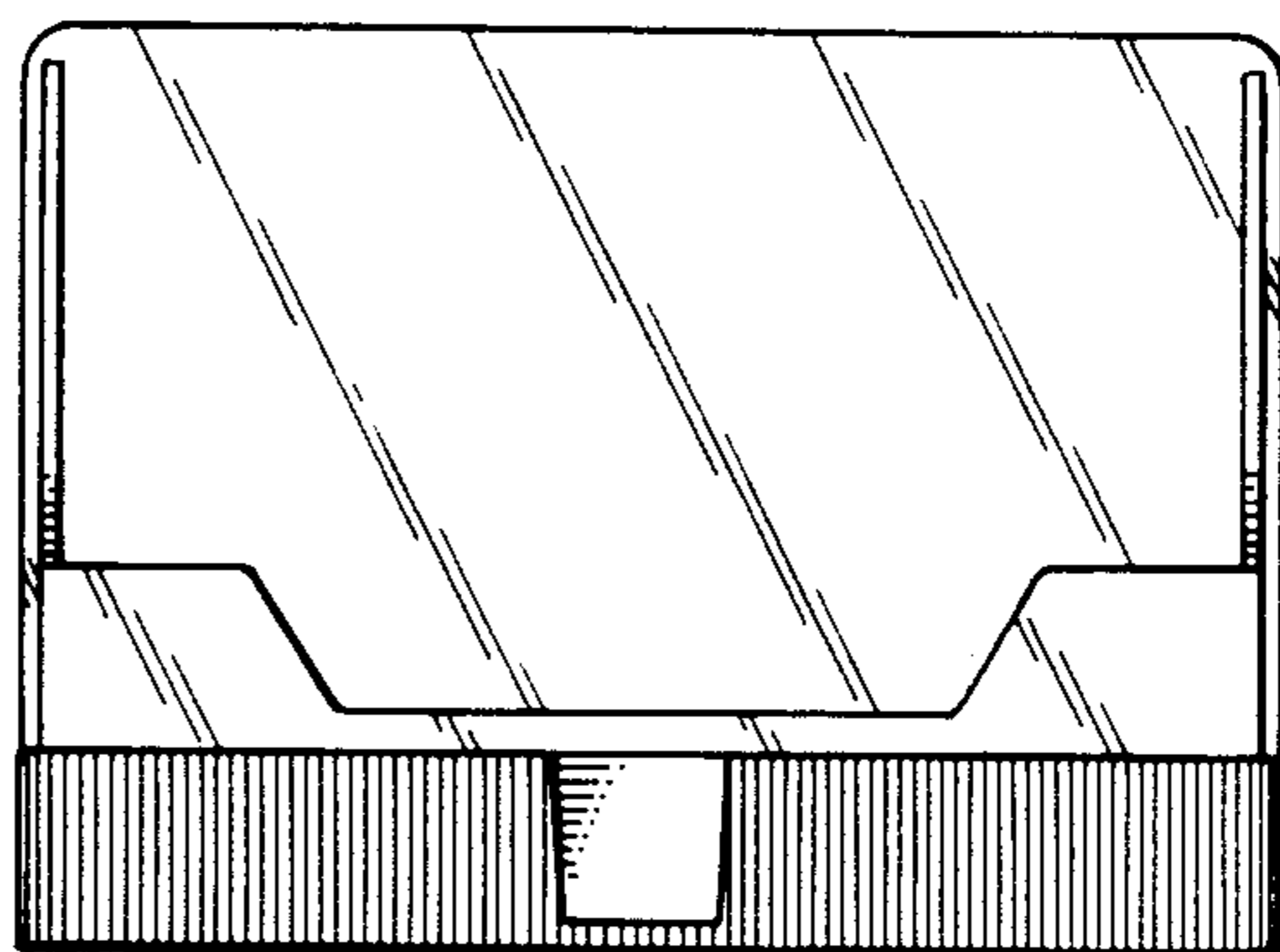


FIG. 10.

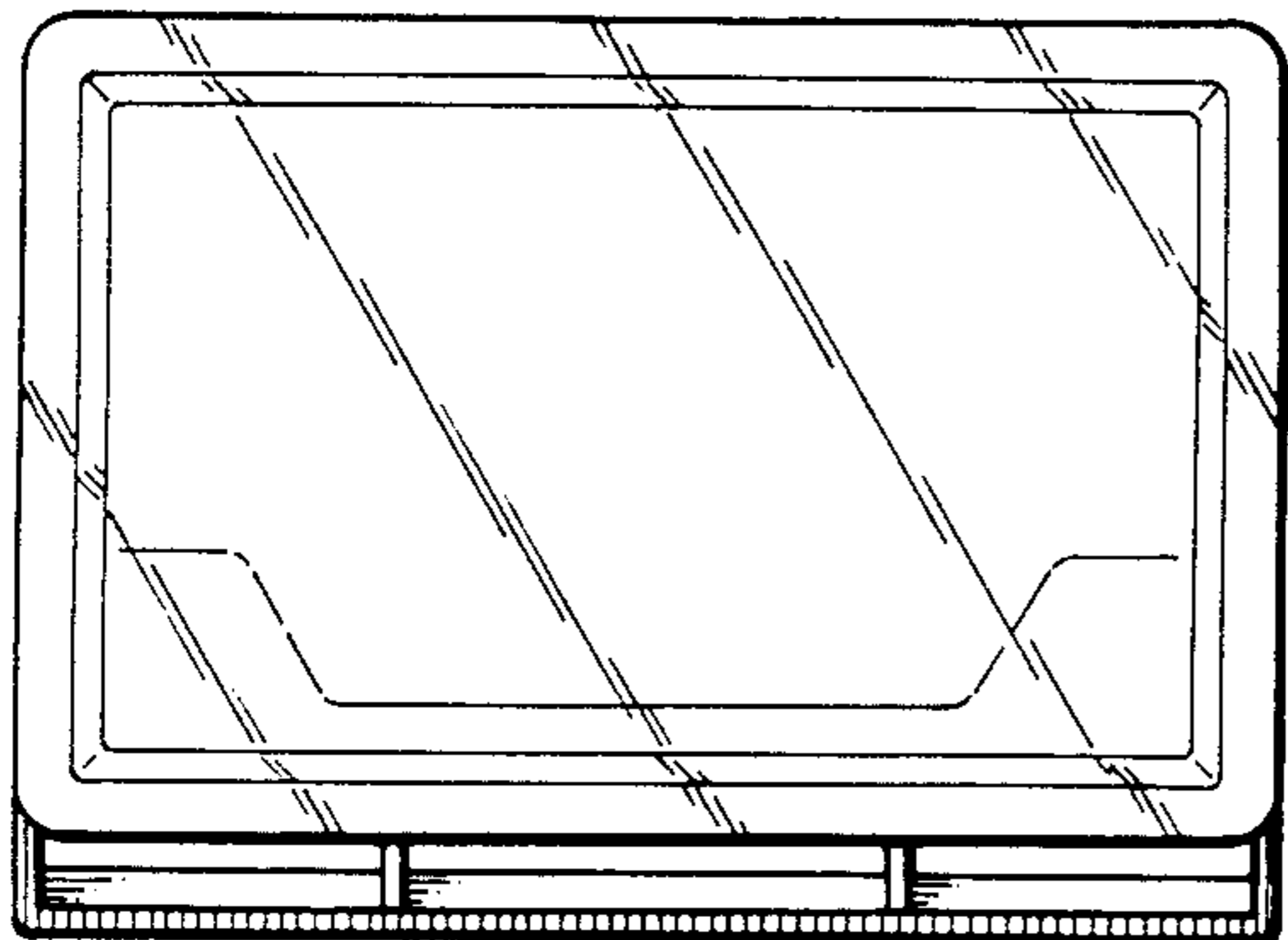


FIG. 11.

UNITED STATES PATENT OFFICE  
CERTIFICATE OF CORRECTION

Patent No. DES. 257,649 Dated December 23, 1980

Inventor(s) STEPEN G. BELGIN

It is certified that error appears in the above-identified patent and that said Letters Patent are hereby corrected as shown below:

The name of the Inventor should be --STEPHEN G. BELGIN--

**Signed and Sealed this**

**Twenty-eighth Day of April 1981**

[SEAL]

*Attest:*

RENE D. TEGMEYER

*Attesting Officer*

*Acting Commissioner of Patents and Trademarks*