

[54] COMBINATION BOOK ENCLOSURE AND READING LAMP

[76] Inventor: **Joel M. Tarrida**, 1616 Pemberton Ave., North Vancouver, British Columbia, Canada, V7P 2S6

[**] Term: **7 Years**

[21] Appl. No.: **959,124**

[22] Filed: **Nov. 9, 1978**

[51] Int. Cl. **D3-02**

[52] U.S. Cl. **D3/33; D3/30; D3/39; D3/72; D3/76; D3/99; D19/26**

[58] Field of Search **D3/33, 30, 39, 73, 72, D3/76, 99; D9/193, 171, 26; D19/26, 59**

[56] **References Cited**

U.S. PATENT DOCUMENTS

D. 172,205	5/1954	Winter	D3/76
D. 253,978	1/1980	Osit	D3/72
2,487,220	11/1949	Callaghan	150/35

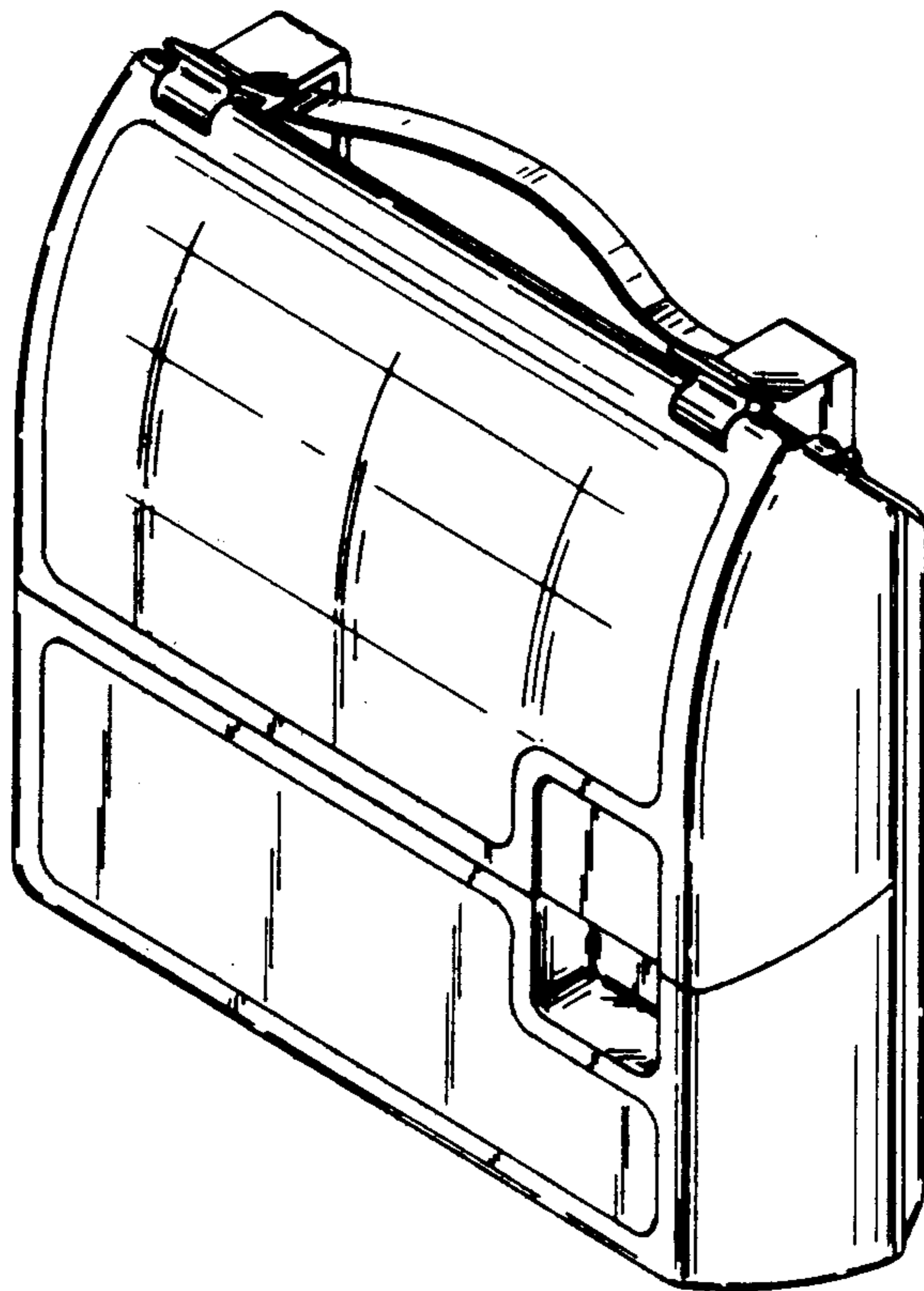
Primary Examiner—Donald B. Moyer
Attorney, Agent, or Firm—Kellard A. Carter

[57] **CLAIM**

The ornamental design for combination book enclosure and reading lamp, substantially as shown.

DESCRIPTION

FIG. 1 is an isometric view of a combination book enclosure and reading lamp showing my new design; FIG. 2 is a bottom plan view; FIG. 3 is a front elevational view; FIG. 4 is an elevational view showing one side; FIG. 5 is an elevational view showing the side opposite the one side of FIG. 4; FIG. 6 is a top plan view; and FIG. 7 is a rear elevational view thereof.



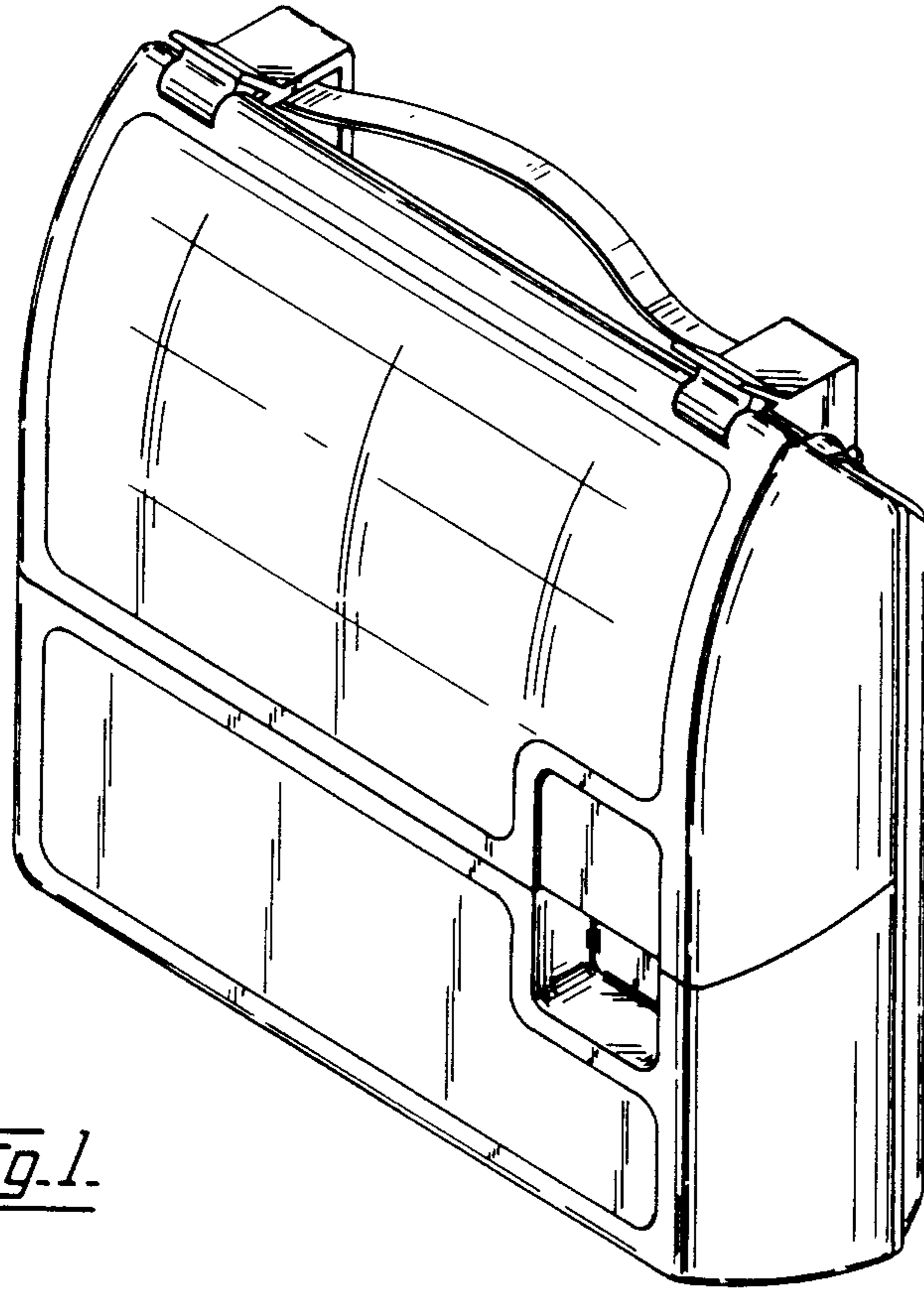


Fig. 1.

Fig. 2.

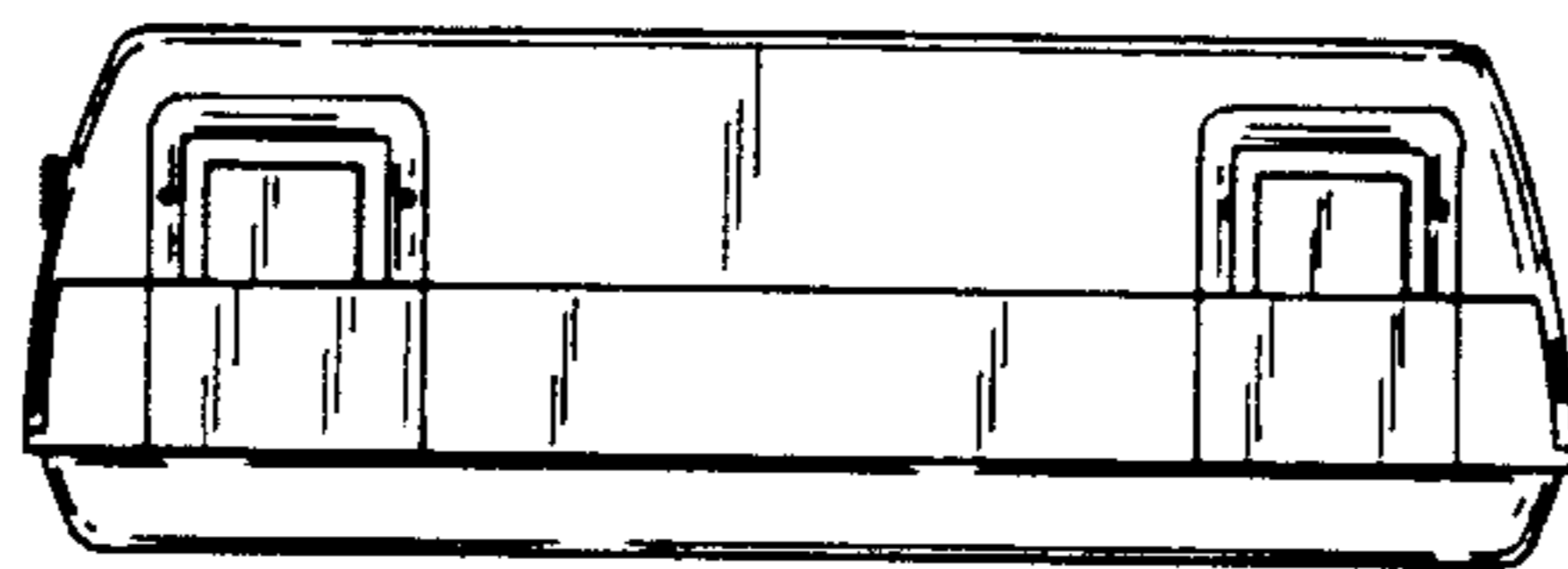


Fig. 4.

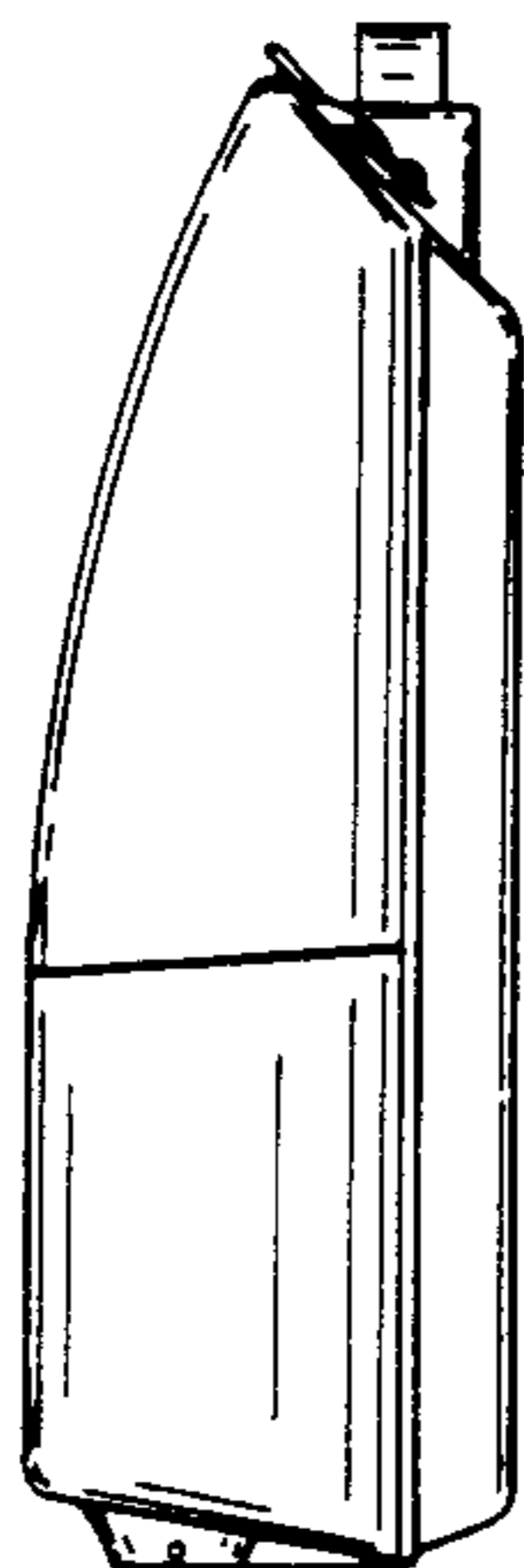


Fig. 3.

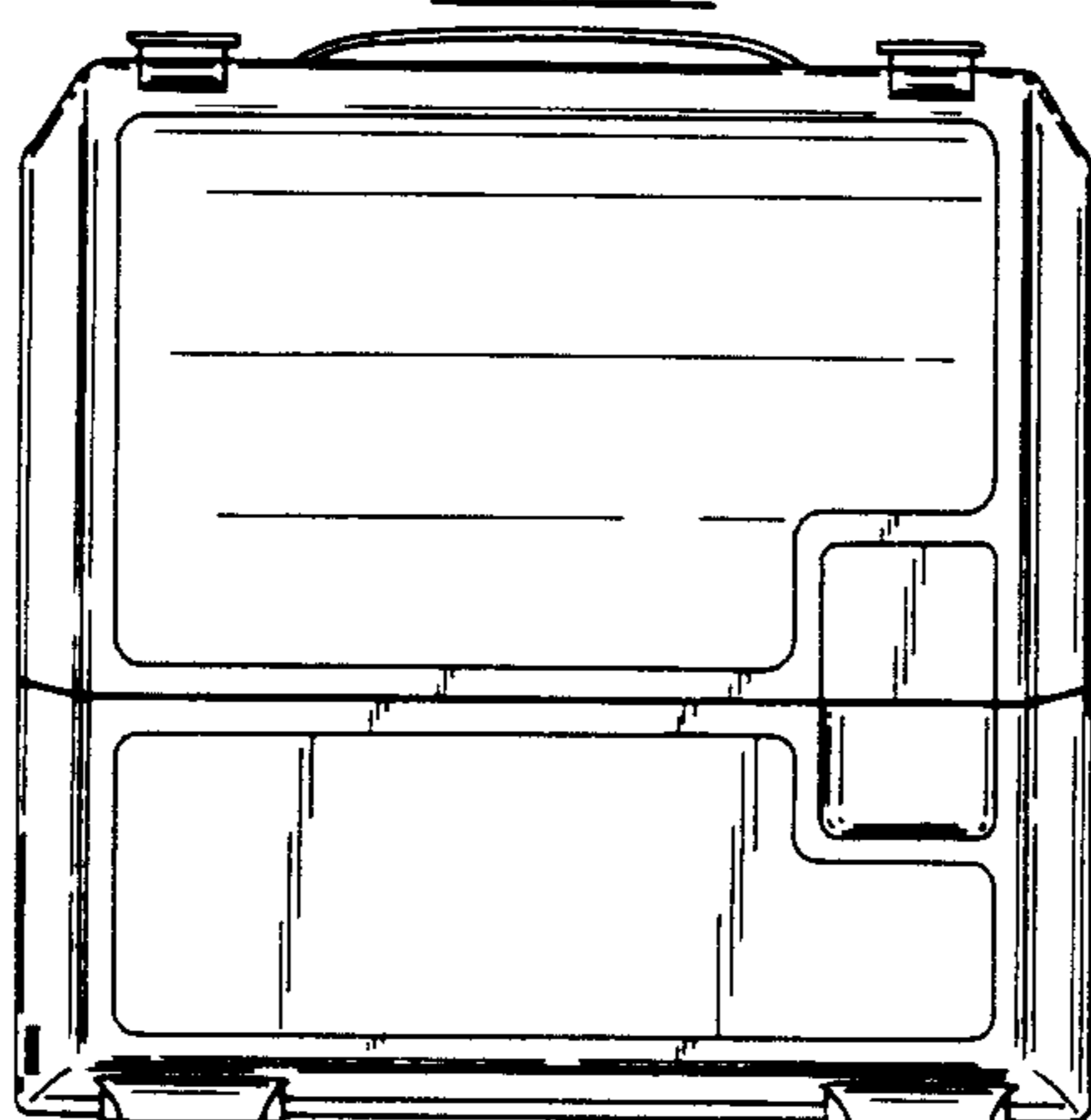


Fig. 5.



Fig. 6.

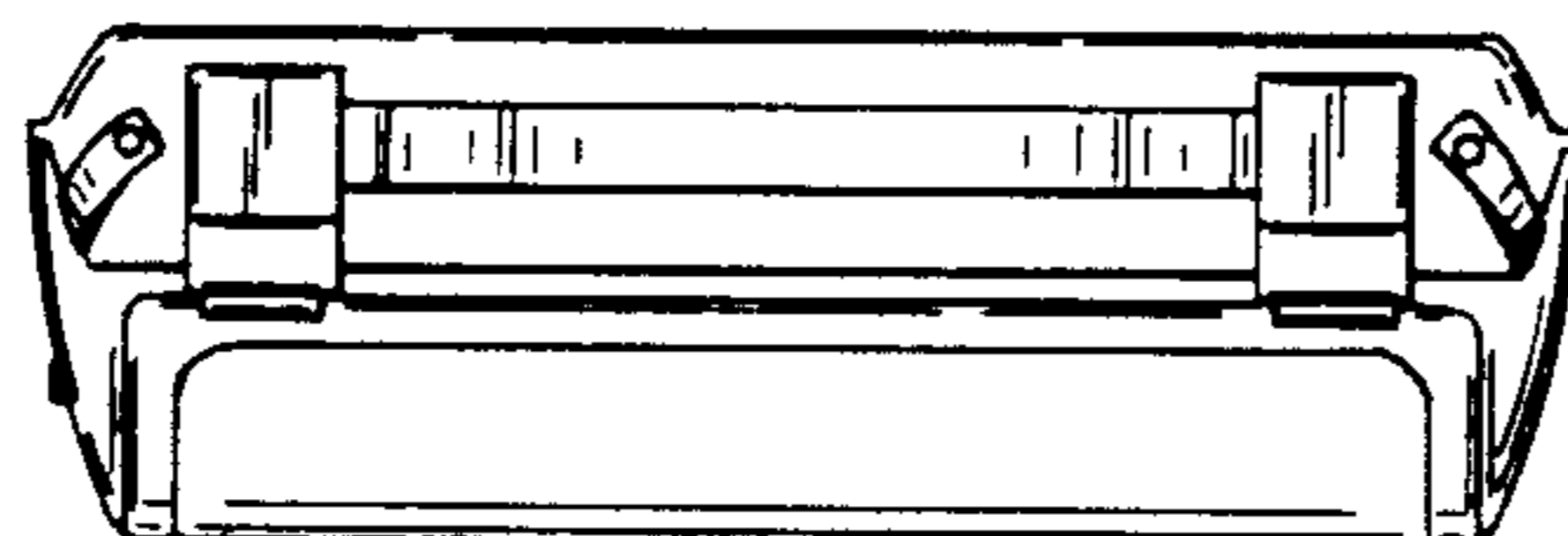


Fig. 7.

