

[54] PACKAGING TRAY

[75] Inventor: Rolf U. Andersson, Lund, Sweden

[73] Assignee: AB Akerlund & Rausing, Sweden

[**] Term: 14 Years

[21] Appl. No.: 825,677

[22] Filed: Aug. 18, 1977

[30] Foreign Application Priority Data

Sep. 2, 1977 [SE] Sweden 77486

[51] Int. Cl. D9-03

[52] U.S. Cl. D9/433

[58] Field of Search D9/245, 242, 243, 219;
229/30-38 R, 41 B

[56]

References Cited

U.S. PATENT DOCUMENTS

D. 4,899	5/1871	Payne	D9/245 X
D. 249,022	8/1978	Bamburg et al.	D9/245
3,927,823	12/1975	Persson	229/41 B X
4,008,848	2/1977	Christensson	229/34 A X
4,014,496	3/1977	Christensson	229/31 R
4,019,675	4/1977	Andersson et al.	229/31 R

Primary Examiner—Robert C. Spangler

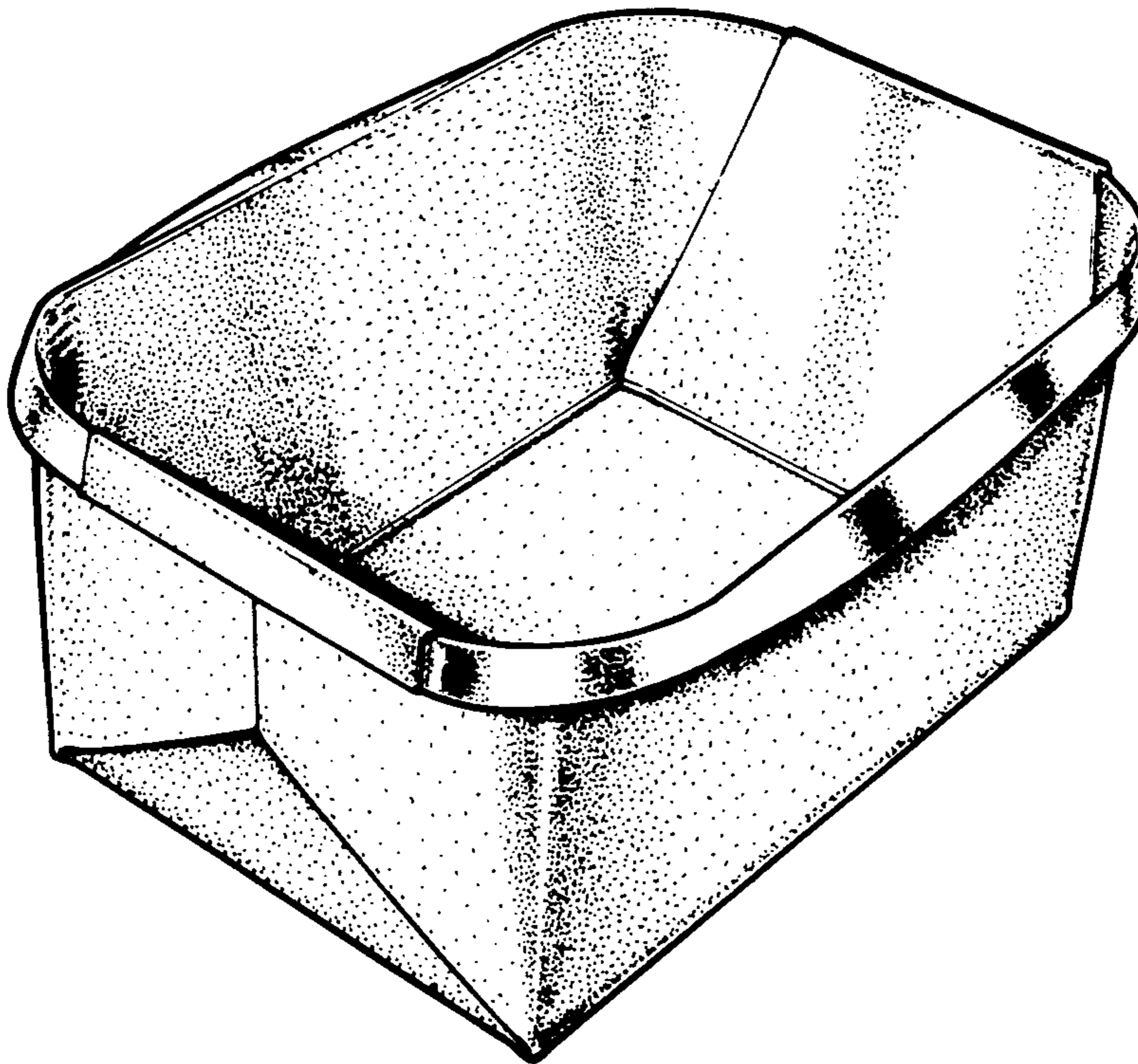
[57]

CLAIM

The ornamental design for a packaging tray, substantially as shown and described.

DESCRIPTION

FIG. 1 is a top perspective view of a packaging tray showing the new design; and FIG. 2 is a bottom perspective view thereof.



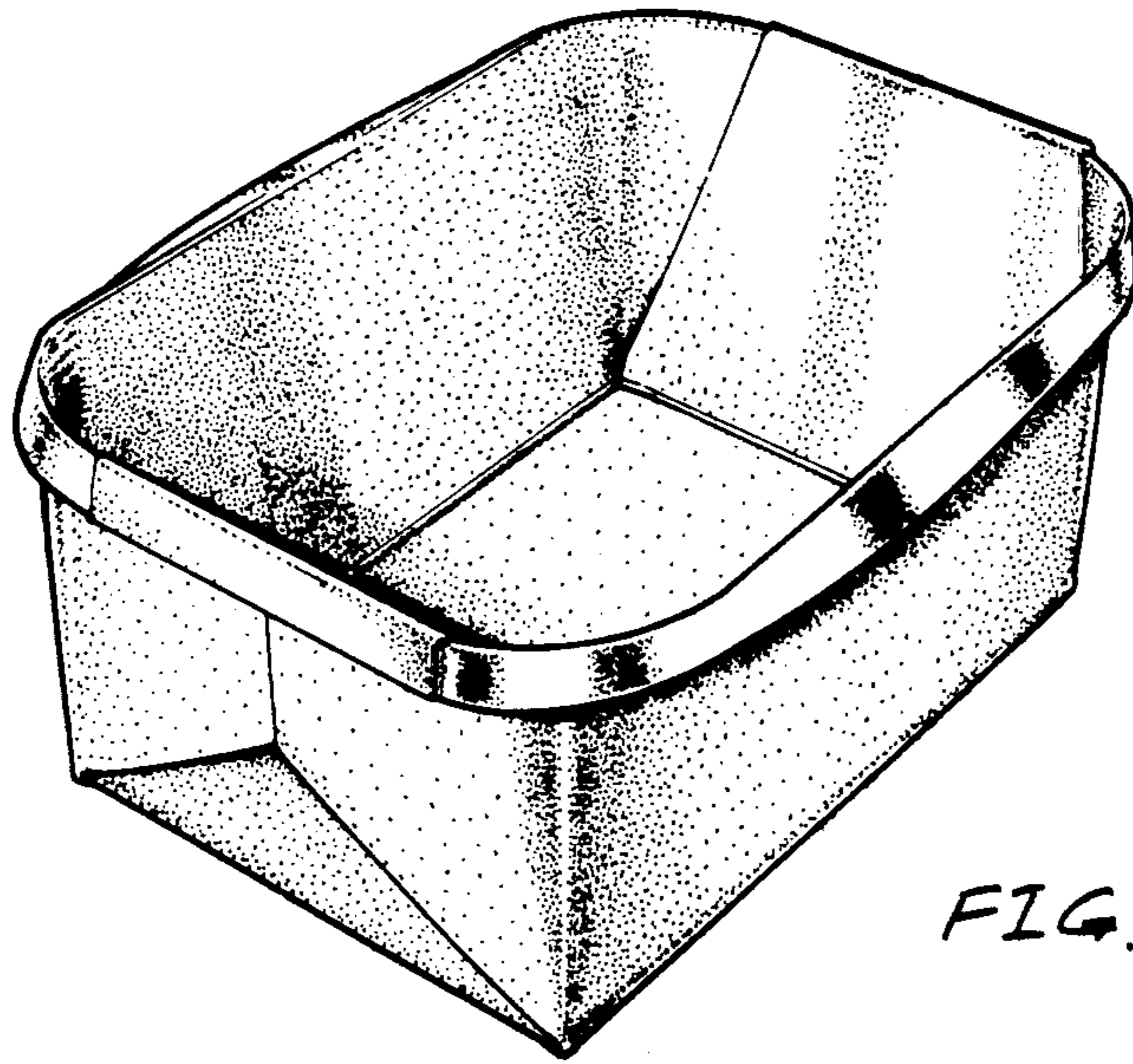


FIG. 1

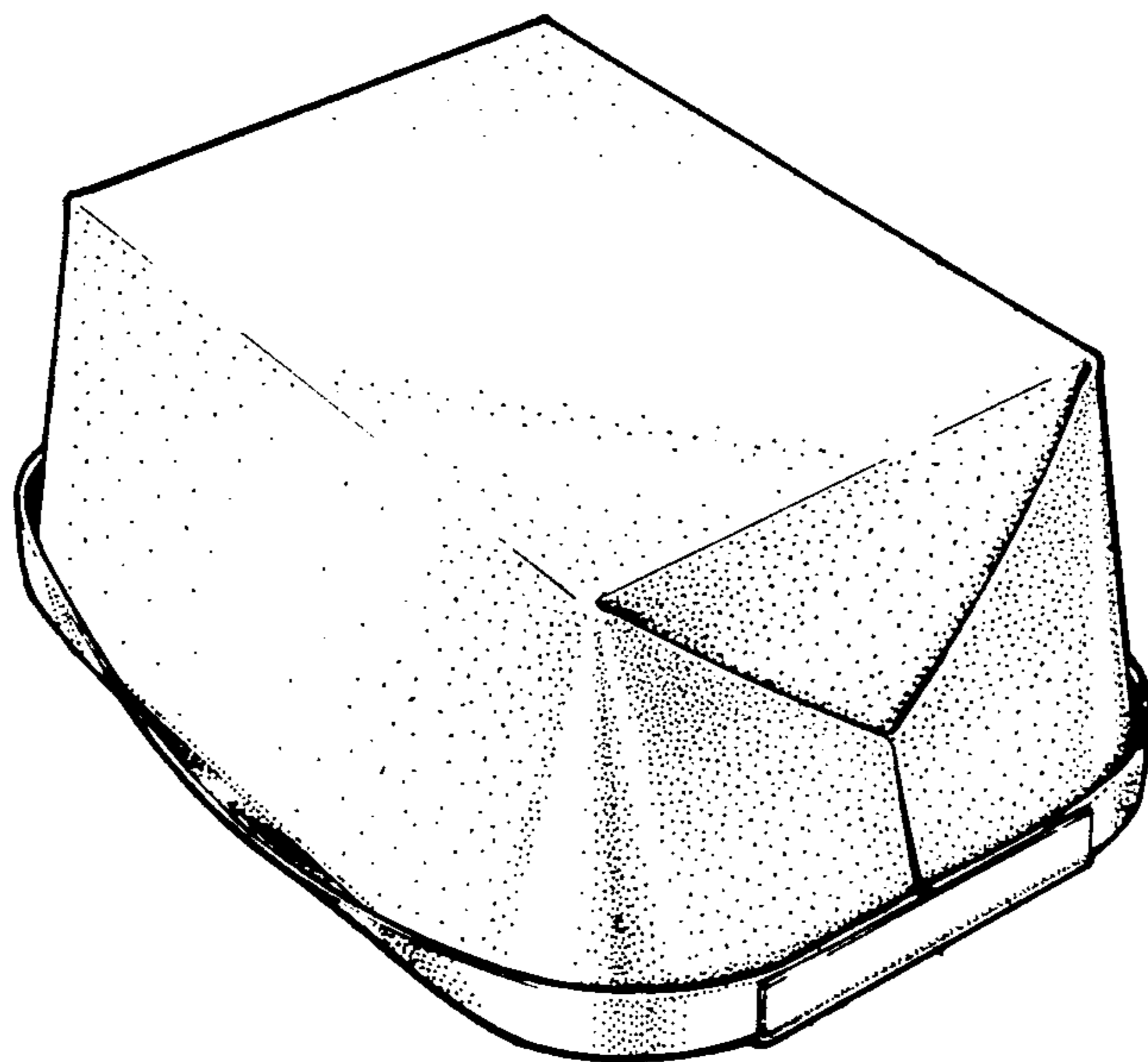


FIG. 2