

[54] FIREPLACE GRATE

[76] Inventor: David H. Dent, 2550 Marra Rd., Occidental, Calif. 95465

[**] Term: 14 Years

[21] Appl. No.: 878,580

[22] Filed: Feb. 17, 1978

[51] Int. Cl. D7-08

[52] U.S. Cl. D7/207

[58] Field of Search D7/206, 207, 211, 212; D23/92, 93, 94, 95, 96, 97; 126/120, 121, 163, 164, 165, 298

[56] References Cited

U.S. PATENT DOCUMENTS

| | | | |
|------------|--------|---------------|-----------|
| D. 248,565 | 7/1978 | Watson | D23/94 |
| D. 248,818 | 8/1978 | Dacey | D7/207 |
| 4,088,114 | 5/1978 | Johnson | 126/121 X |

OTHER PUBLICATIONS

Institutions, Nov. 1958, p. 35, Andirons.

Primary Examiner—Catherine E. Kemper
Attorney, Agent, or Firm—Melvin R. Stidham

[57] CLAIM

The ornamental design for a fireplace grate, as shown and described.

DESCRIPTION

FIG. 1 is a perspective view of a fireplace grate, showing my new design;

FIG. 2 is a side elevational view thereof;

FIG. 3 is a front elevational view thereof;

FIG. 4 is a rear elevational view thereof;

FIG. 5 is a top plan view thereof;

FIG. 6 is a bottom plan view thereof;

FIG. 7 is a perspective view of a second embodiment thereof;

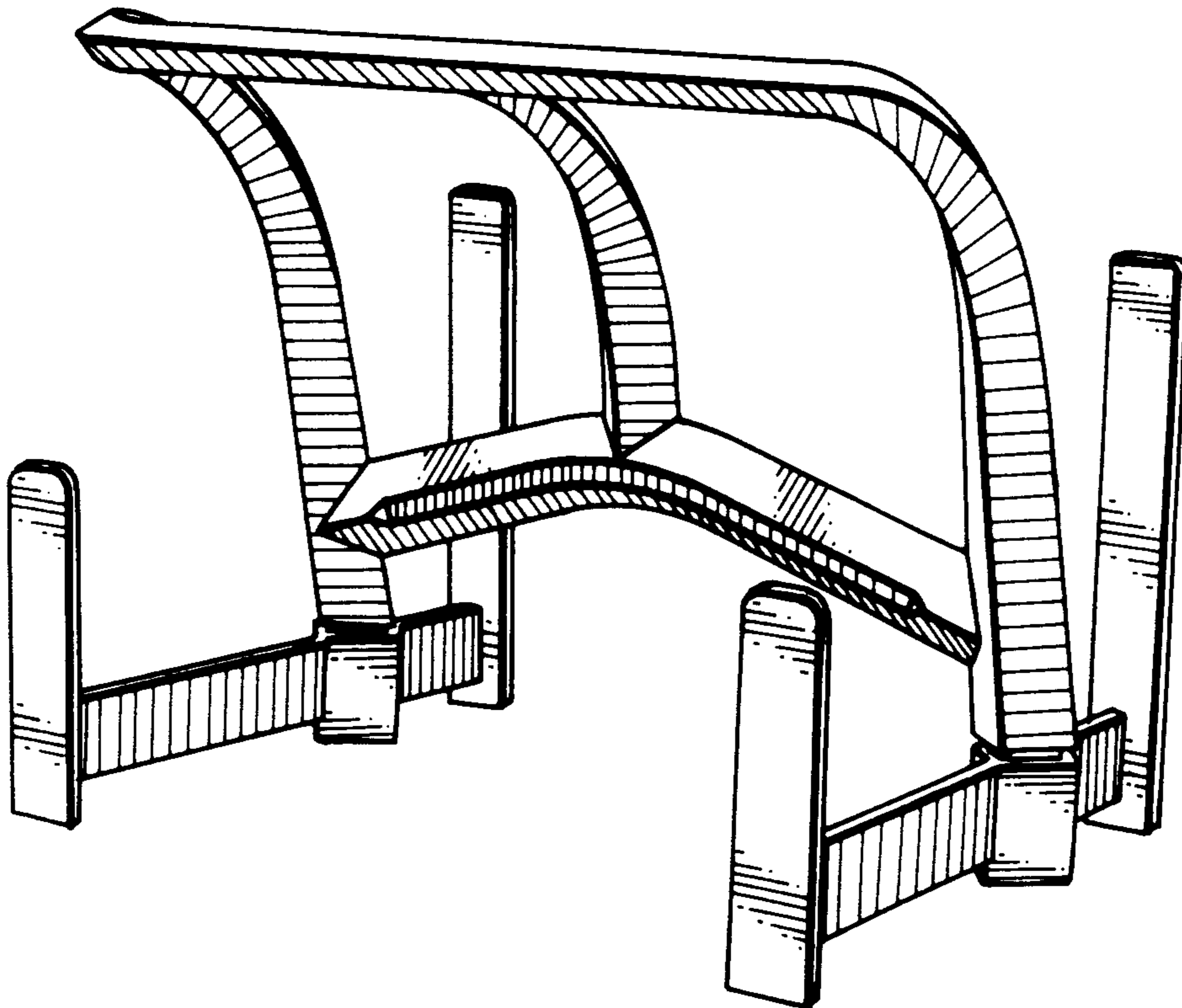
FIG. 8 is a front elevational view thereof;

FIG. 9 is a side elevational view thereof;

FIG. 10 is a top plan view thereof;

FIG. 11 is a rear elevational view thereof;

FIG. 12 is a bottom plan view thereof.



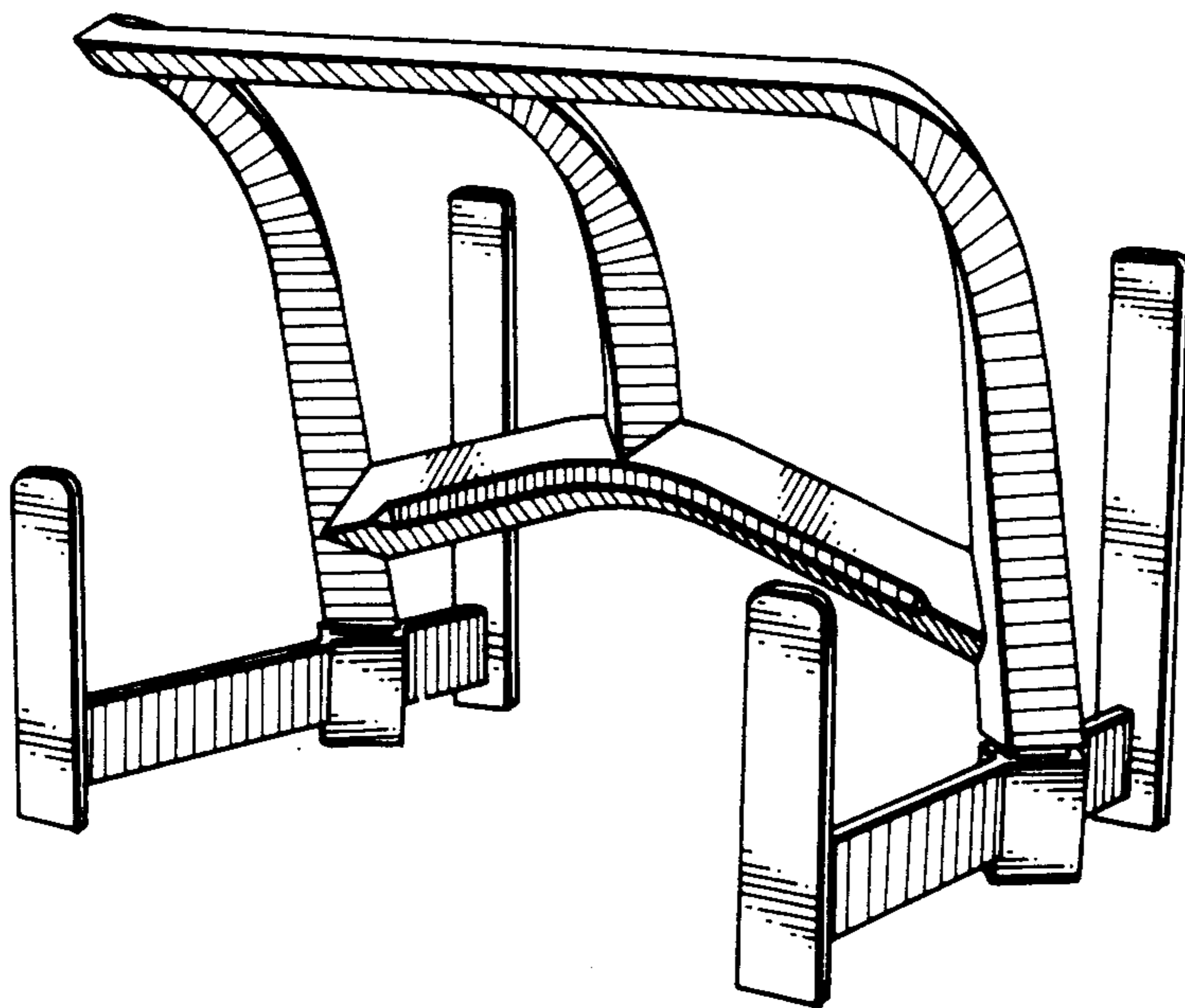


FIG. 1

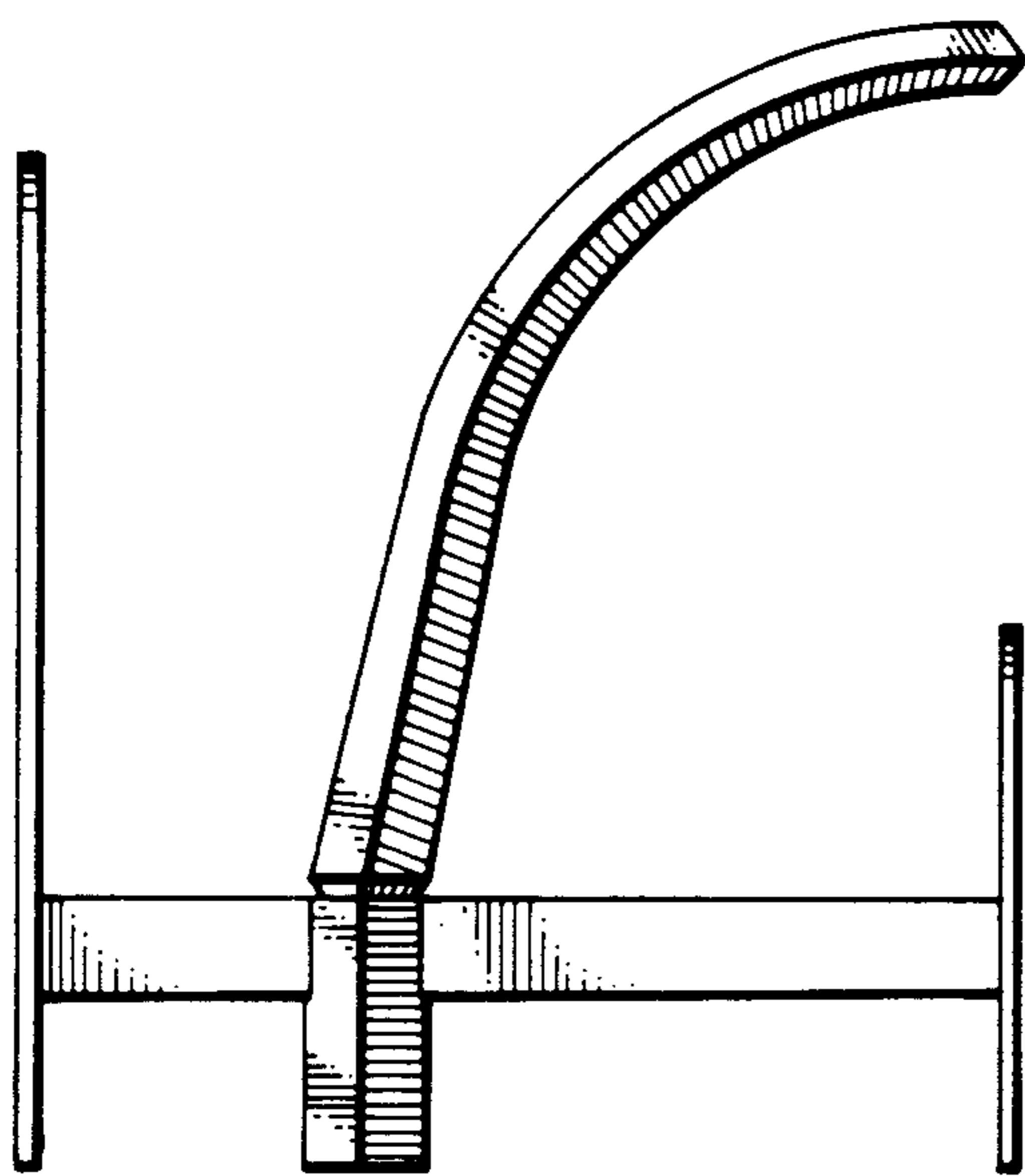


FIG. 2

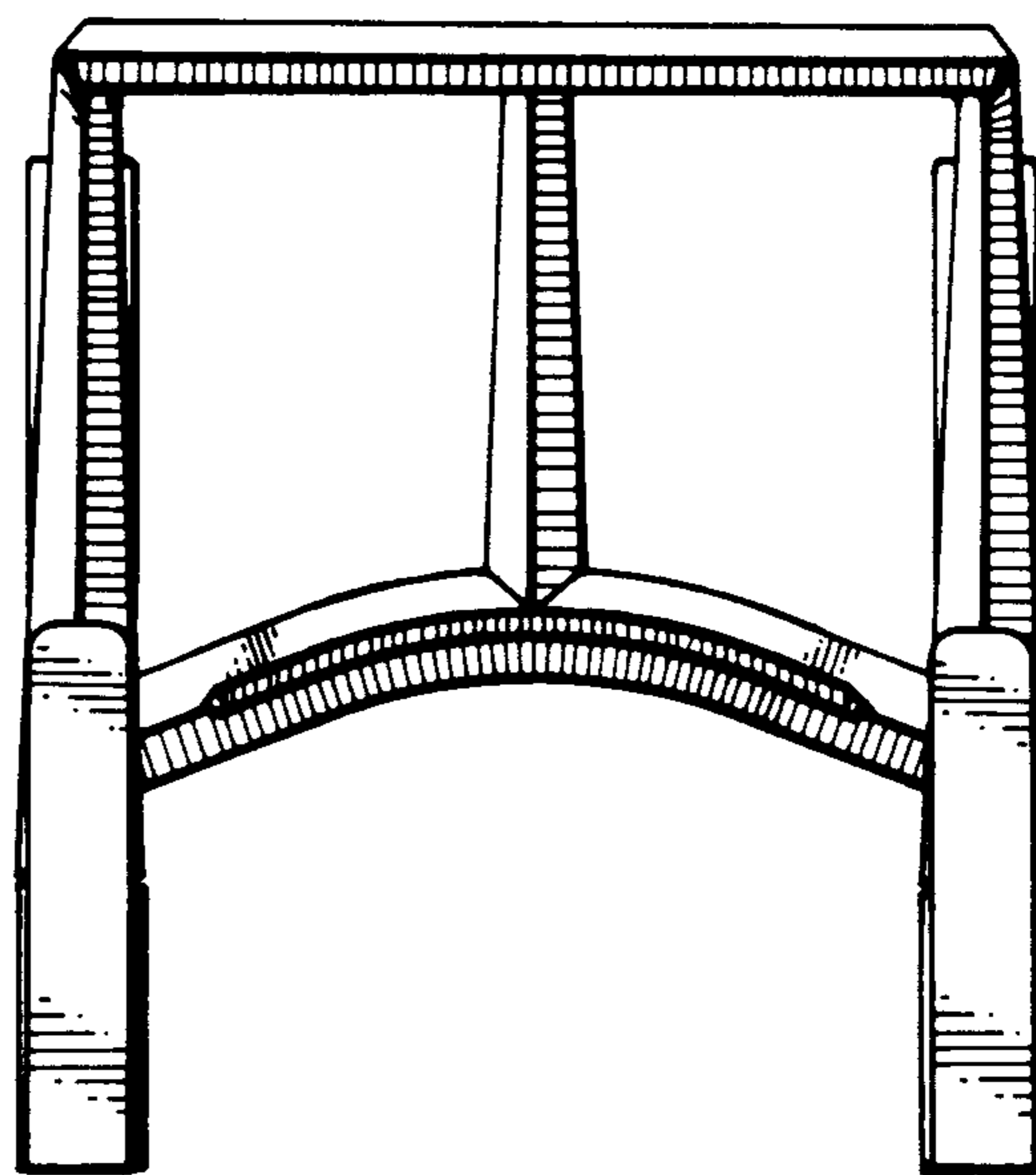


FIG. 3

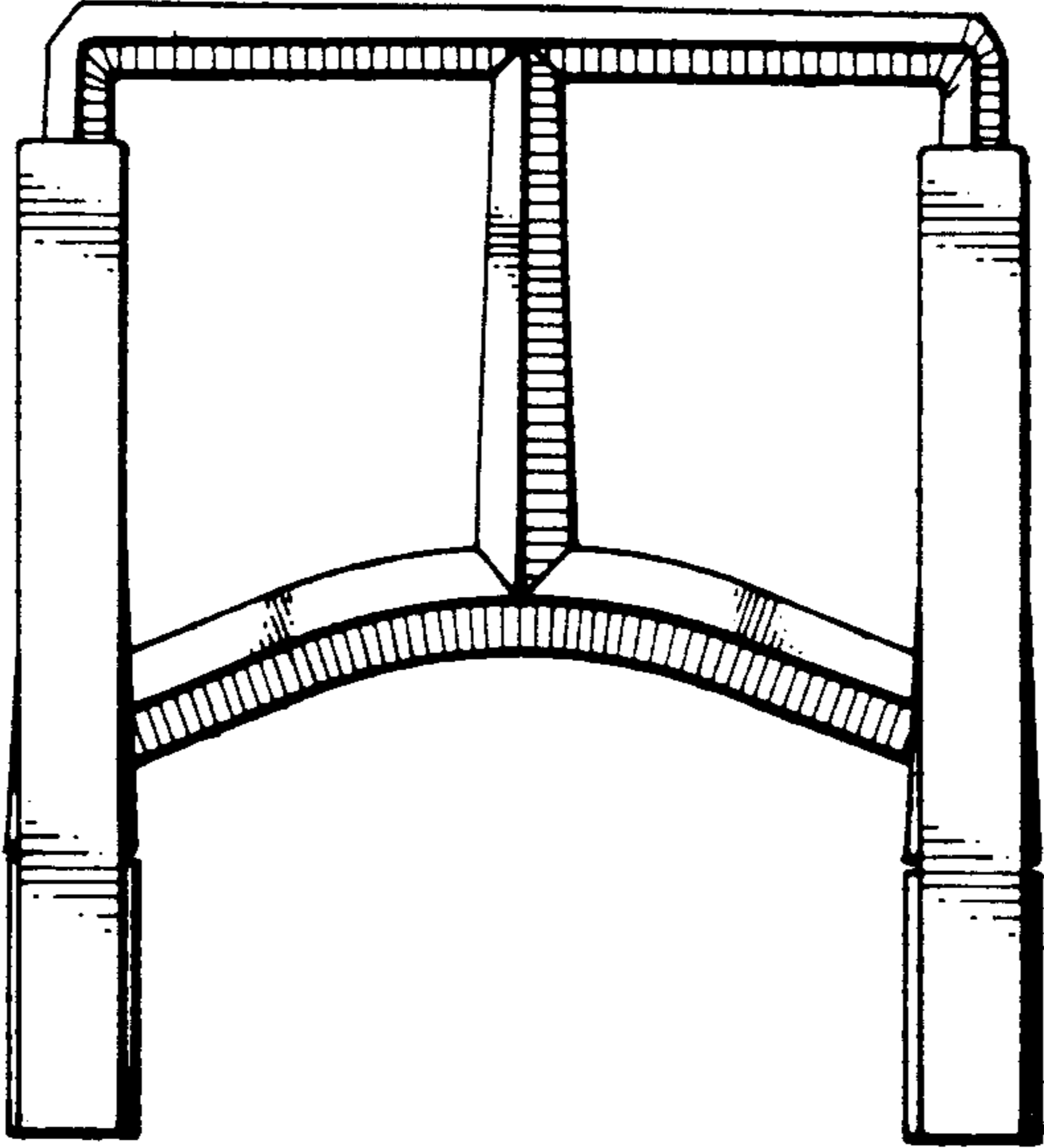


FIG. 4

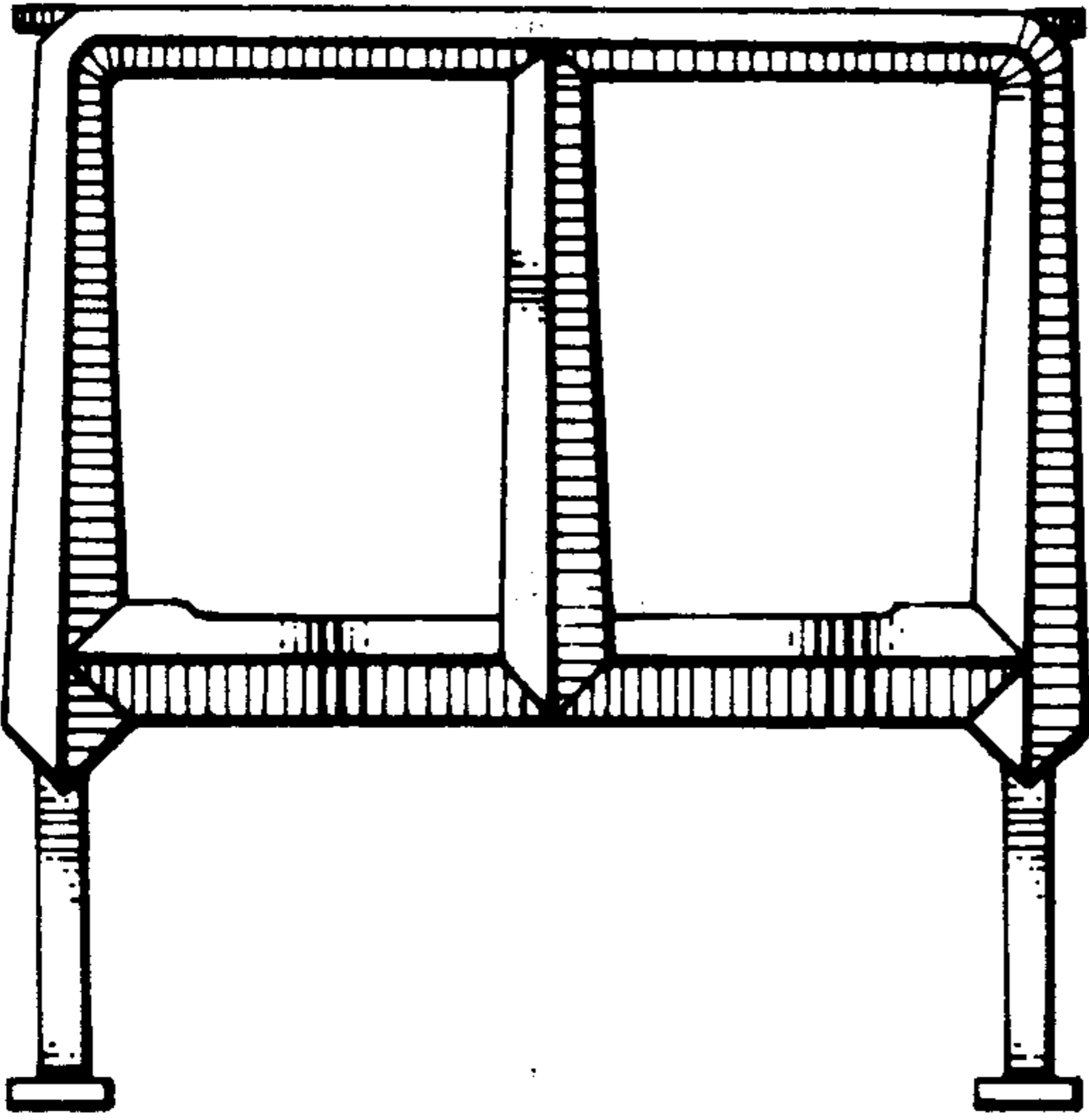


FIG. 5

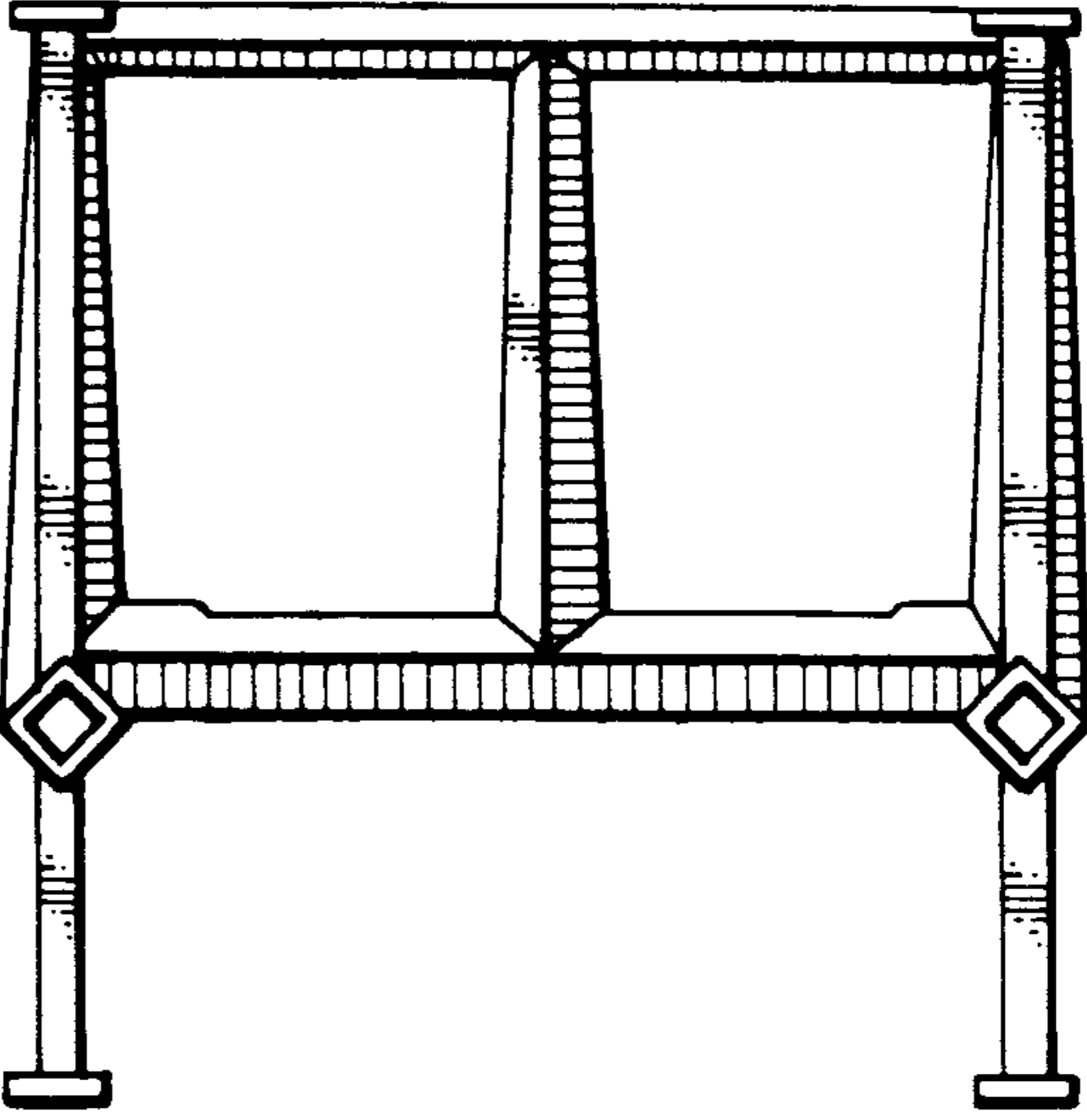


FIG. 6

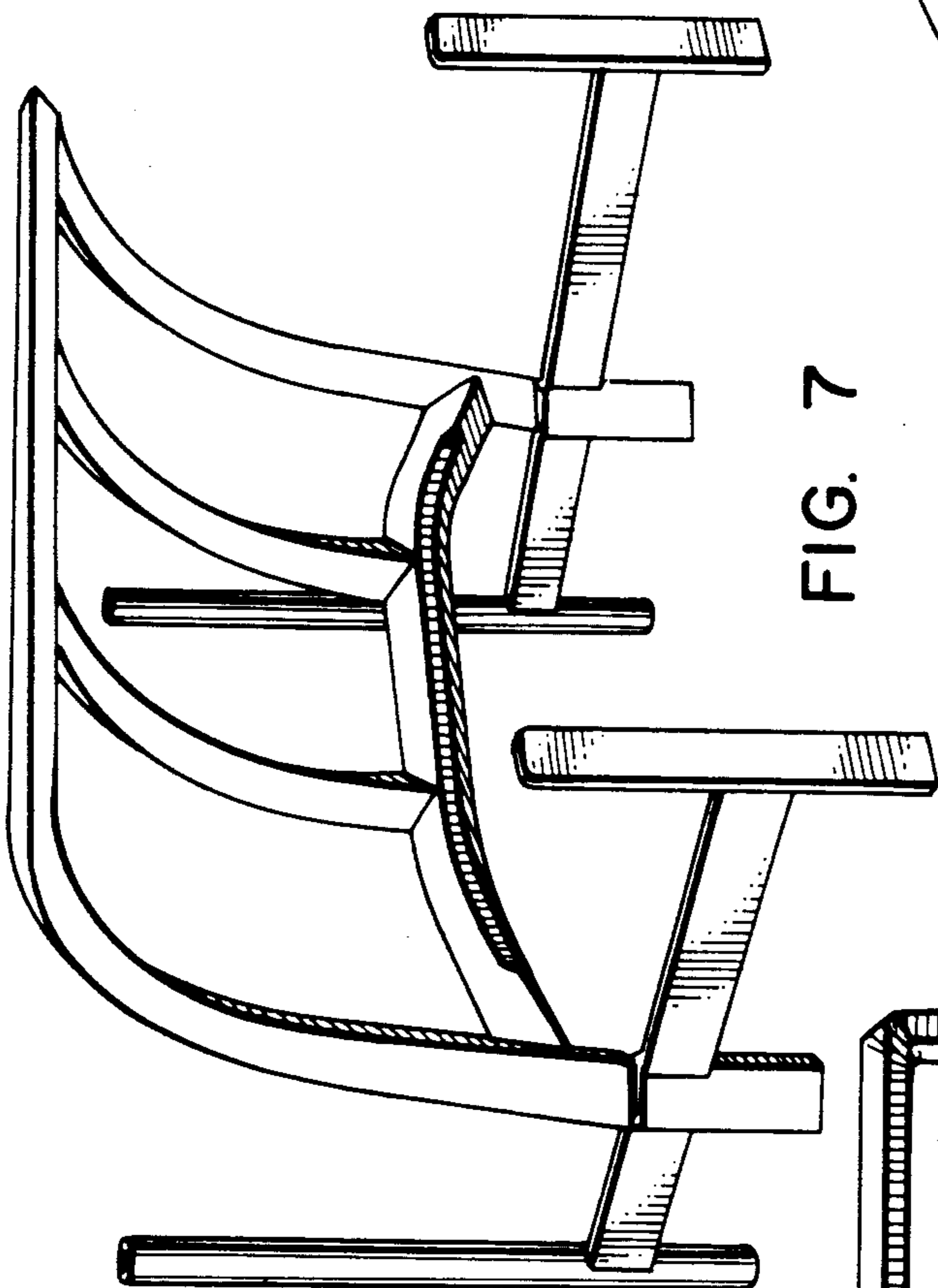


FIG. 7

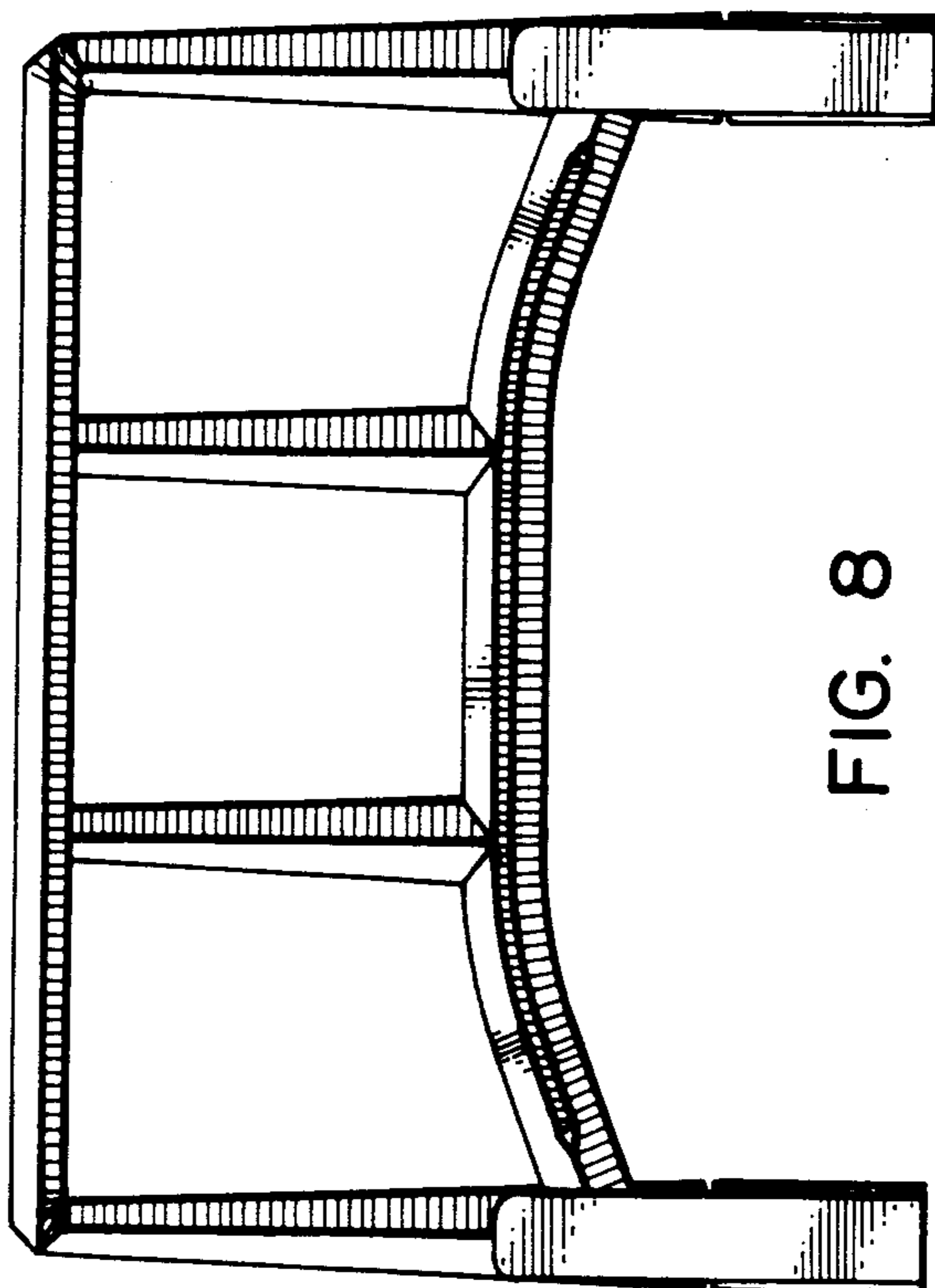


FIG. 8

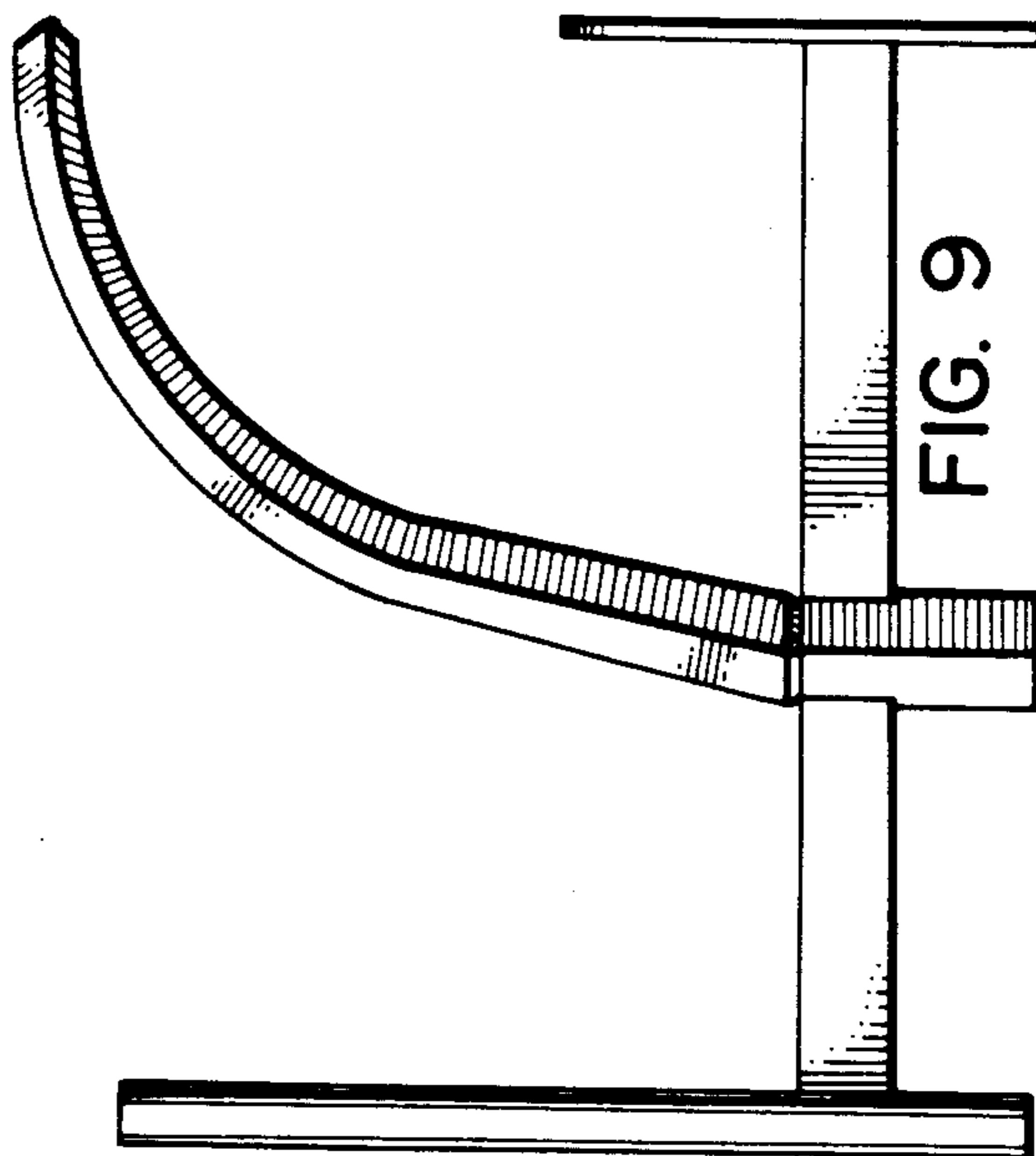


FIG. 9

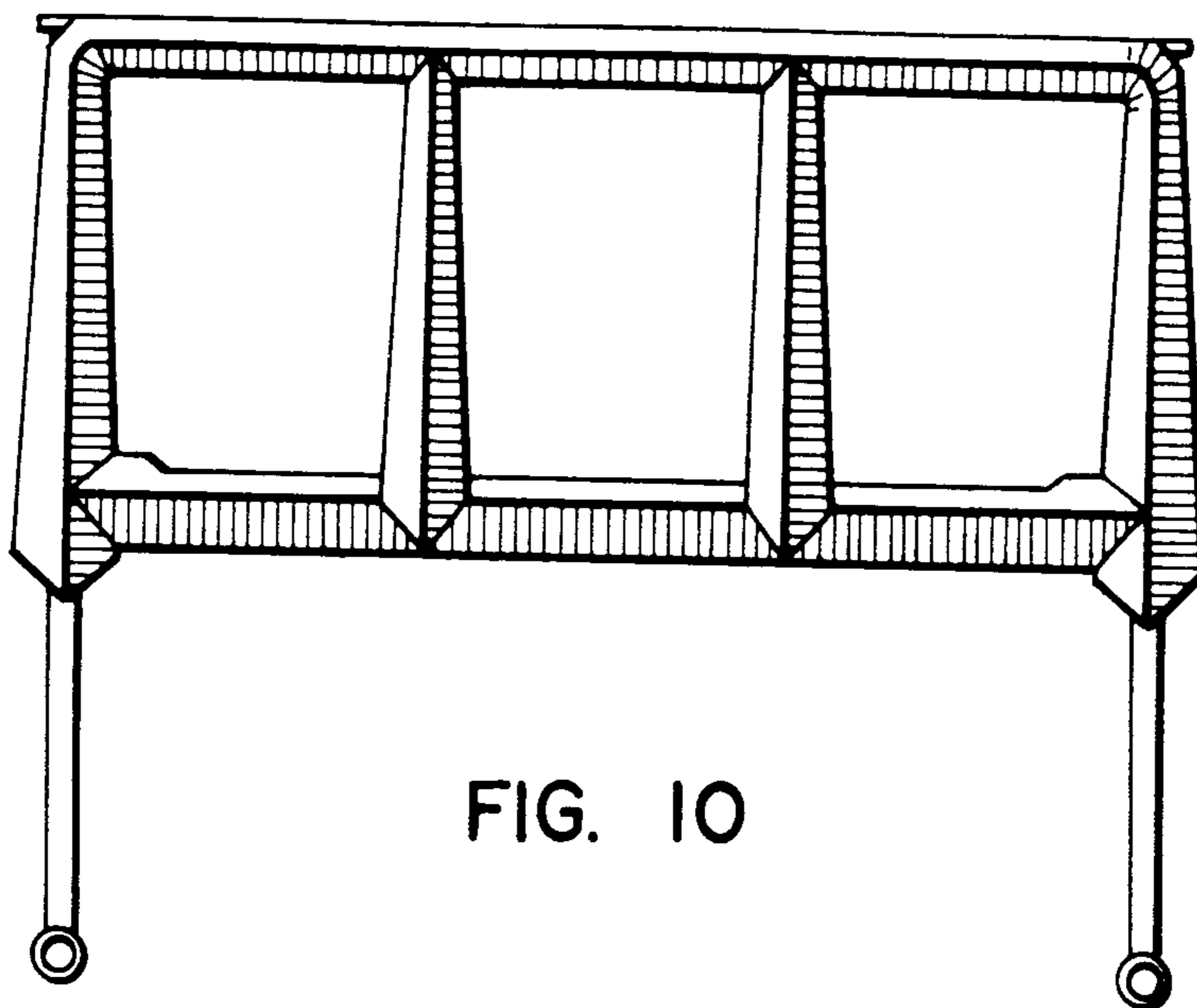


FIG. 10

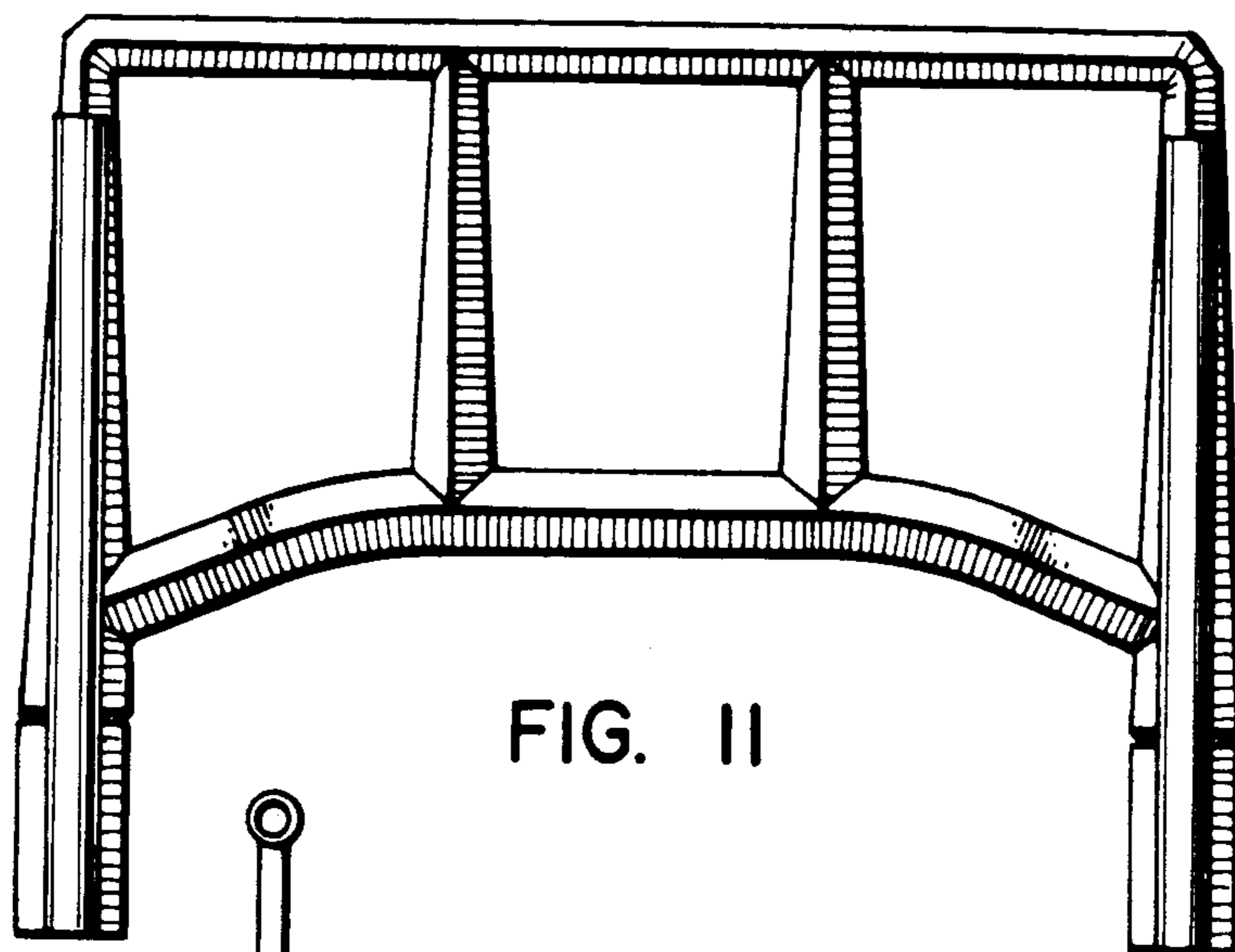


FIG. 11

FIG. 12

