

[54] MOBILE BED FRAME

[75] Inventors: Richard C. Bue, Chaska; Earl L. Luckes, Minnetonka, both of Minn.

[73] Assignee: Sico Incorporated, Minneapolis, Minn.

[**] Term: 14 Years

[21] Appl. No.: 907,314

[22] Filed: May 18, 1978

[51] Int. Cl. D6-01

[52] U.S. Cl. D6/79; D6/198

[58] Field of Search D6/79, 84, 61, 191, D6/198, 85, 64; 5/131, 134

[56] References Cited

U.S. PATENT DOCUMENTS

D. 168,581 1/1953 McInerney et al. D6/84
2,565,027 8/1951 Jensen 5/134

2,666,213 1/1954 Bash 5/131
2,866,209 12/1958 Murchie 5/134 X

FOREIGN PATENT DOCUMENTS

39850 3/1932 France 5/134

Primary Examiner—Joel Stearman
Assistant Examiner—Jane E. Corrigan
Attorney, Agent, or Firm—John D. Gould

[57] CLAIM

The ornamental design for a mobile bed frame, substantially as shown and described.

DESCRIPTION

FIG. 1 is a front, top and right side perspective view of a mobile bed frame showing our new design; FIG. 2 is a front elevational view; FIG. 3 is a rear elevational view; FIG. 4 is a right side elevational view; FIG. 5 is a top plan view; and FIG. 6 is a bottom plan view.

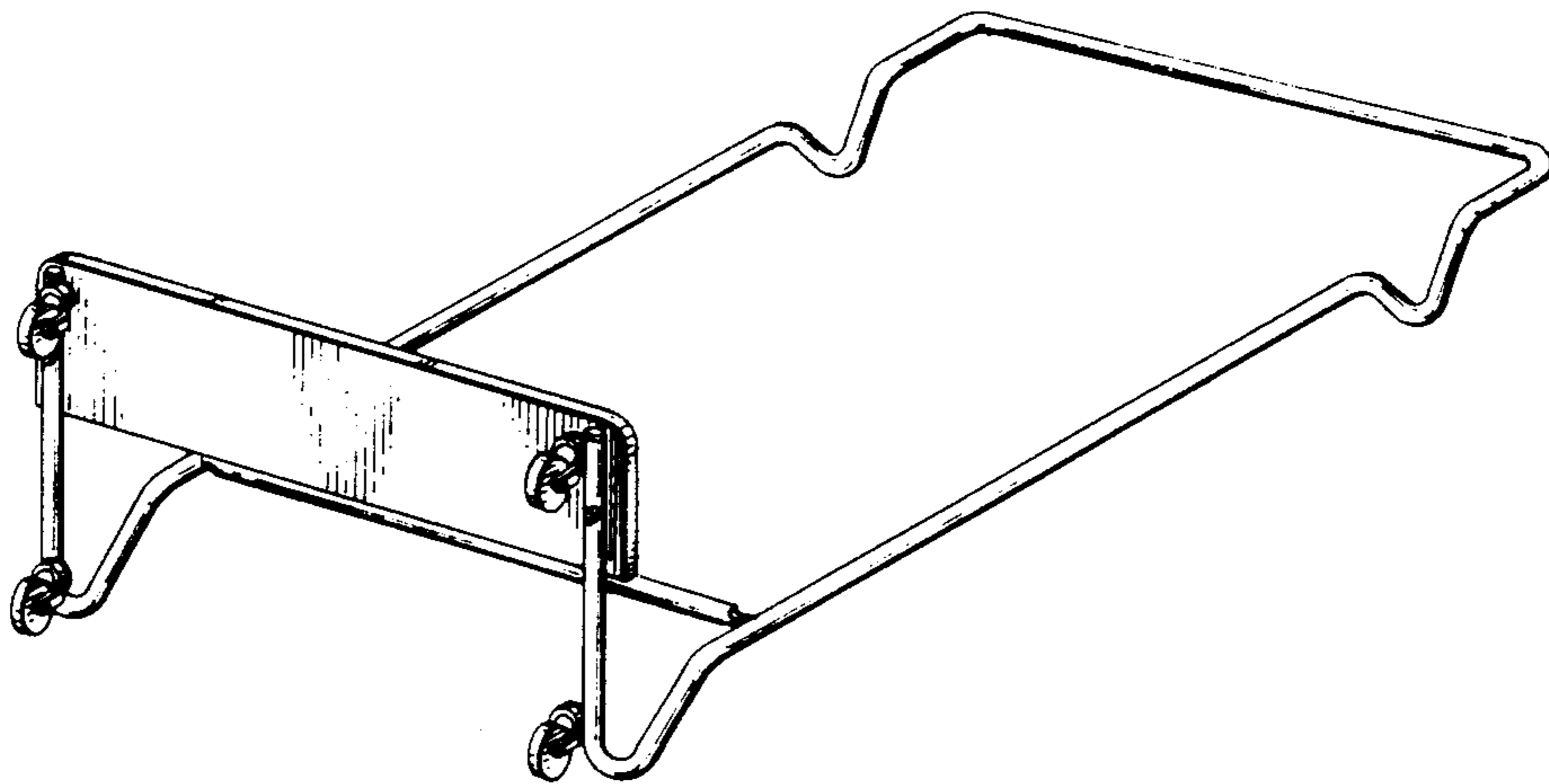


FIG. 1

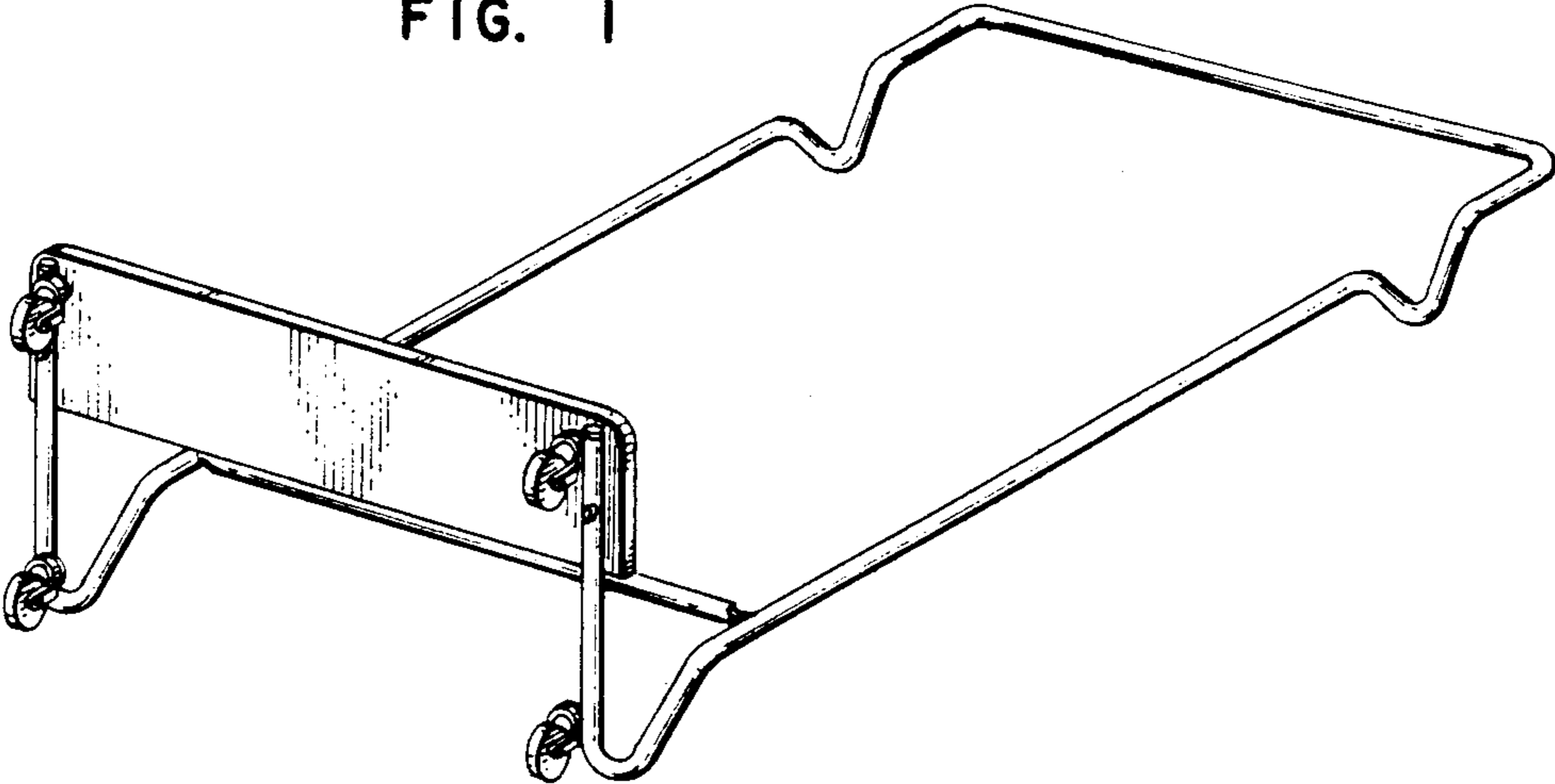


FIG. 2

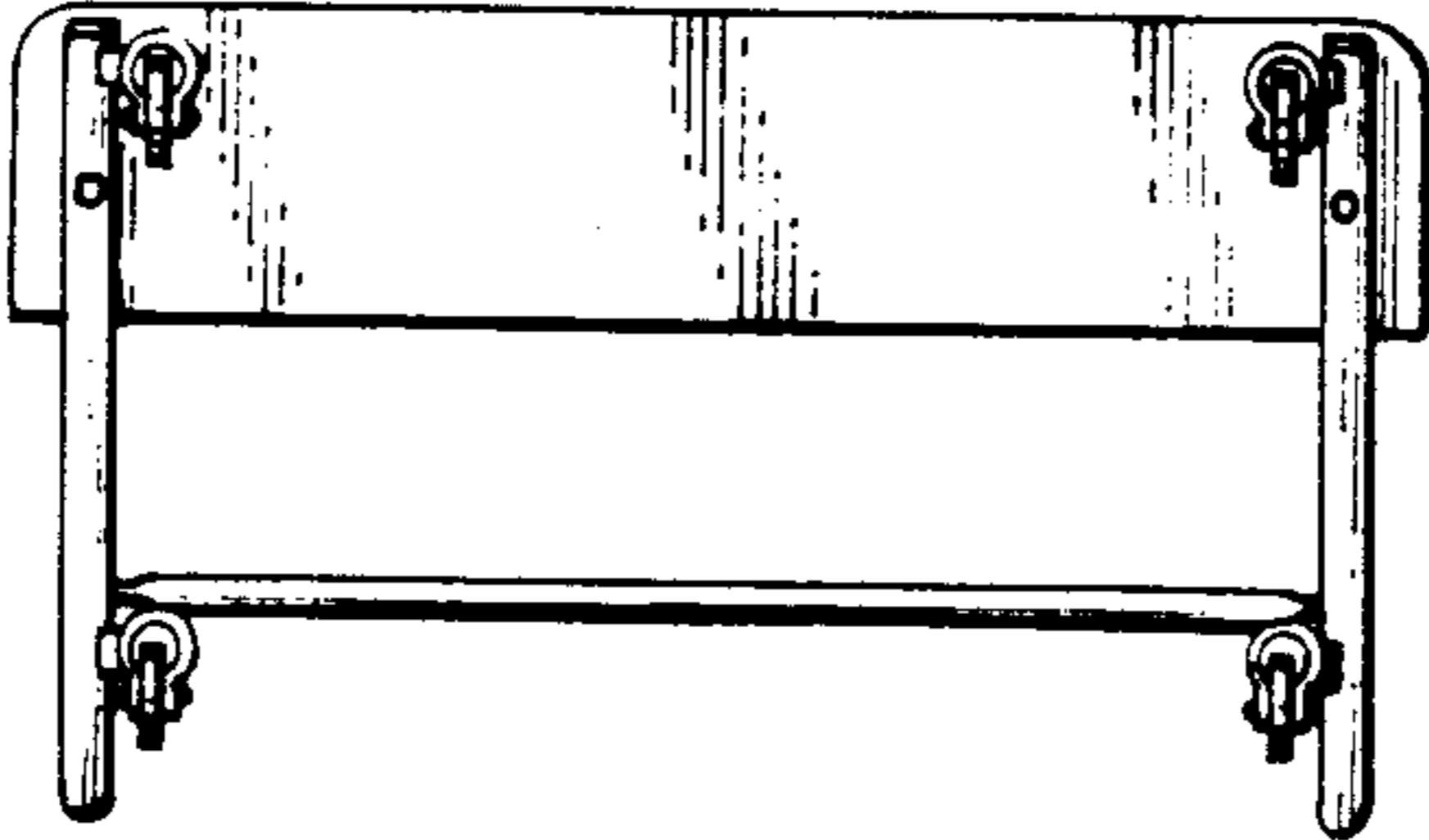


FIG. 3

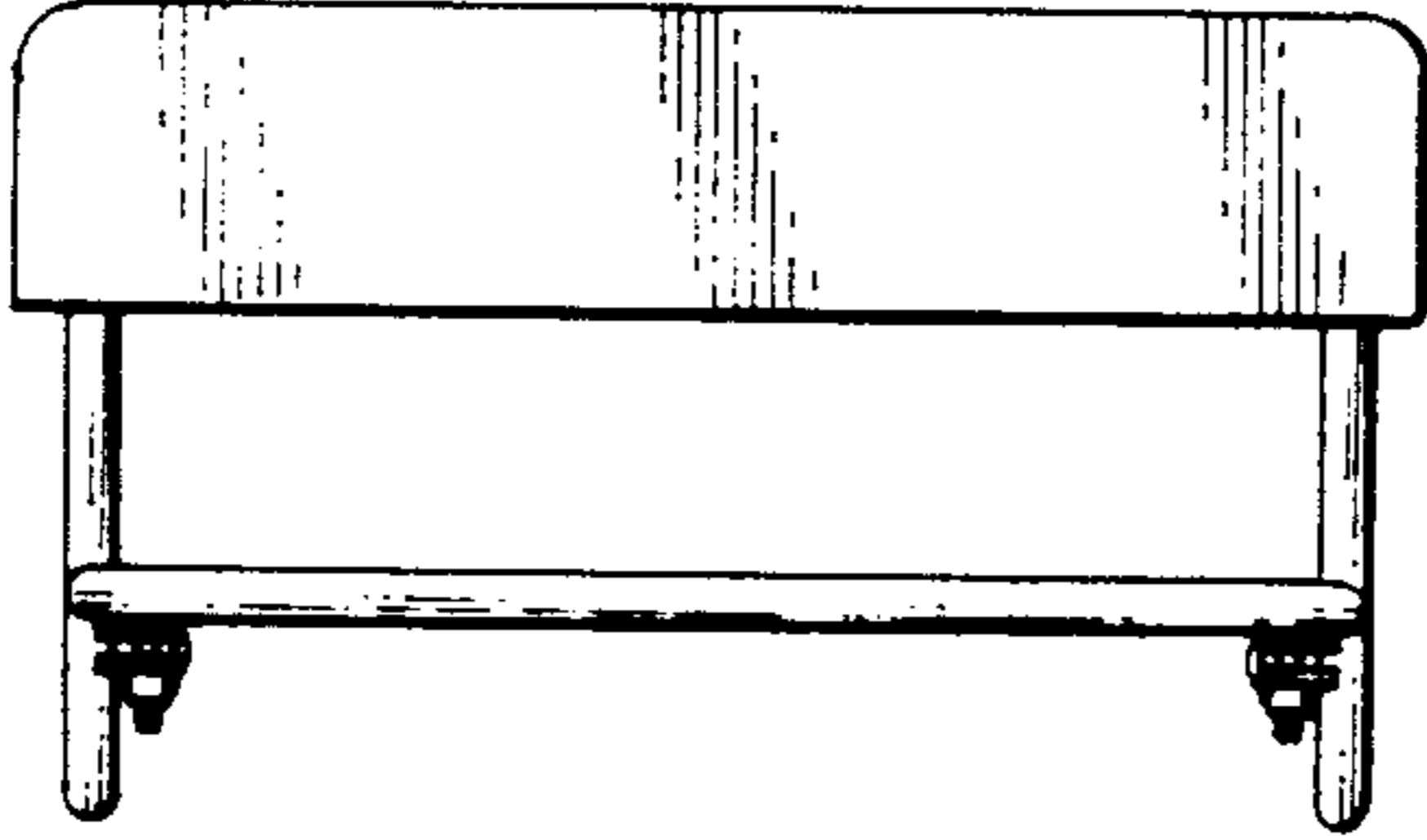


FIG. 4

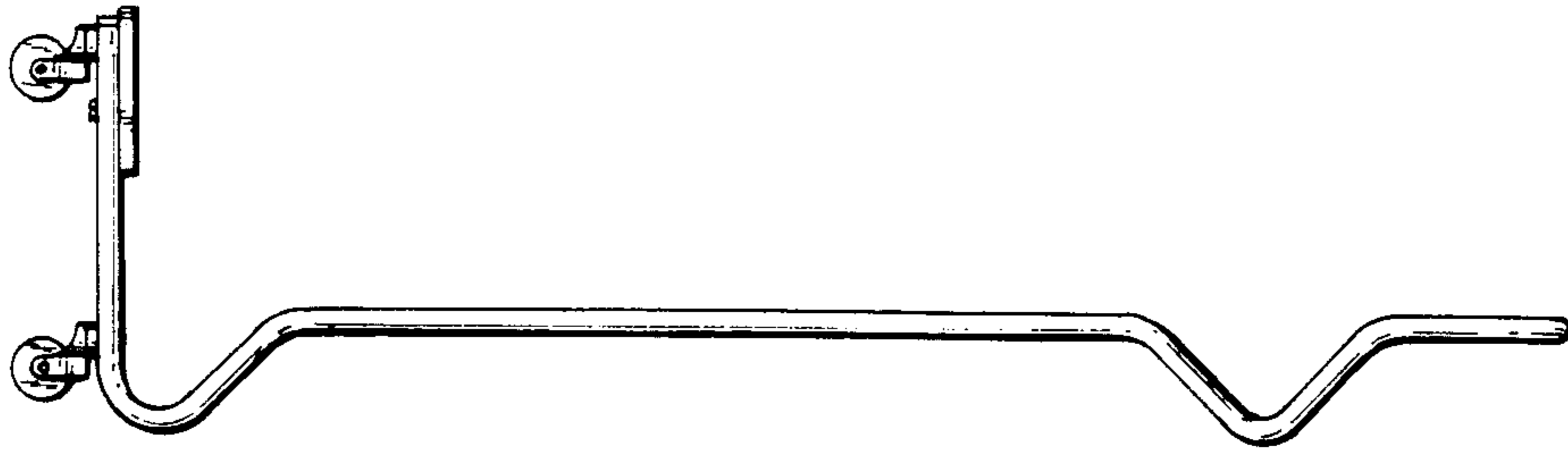


FIG. 5

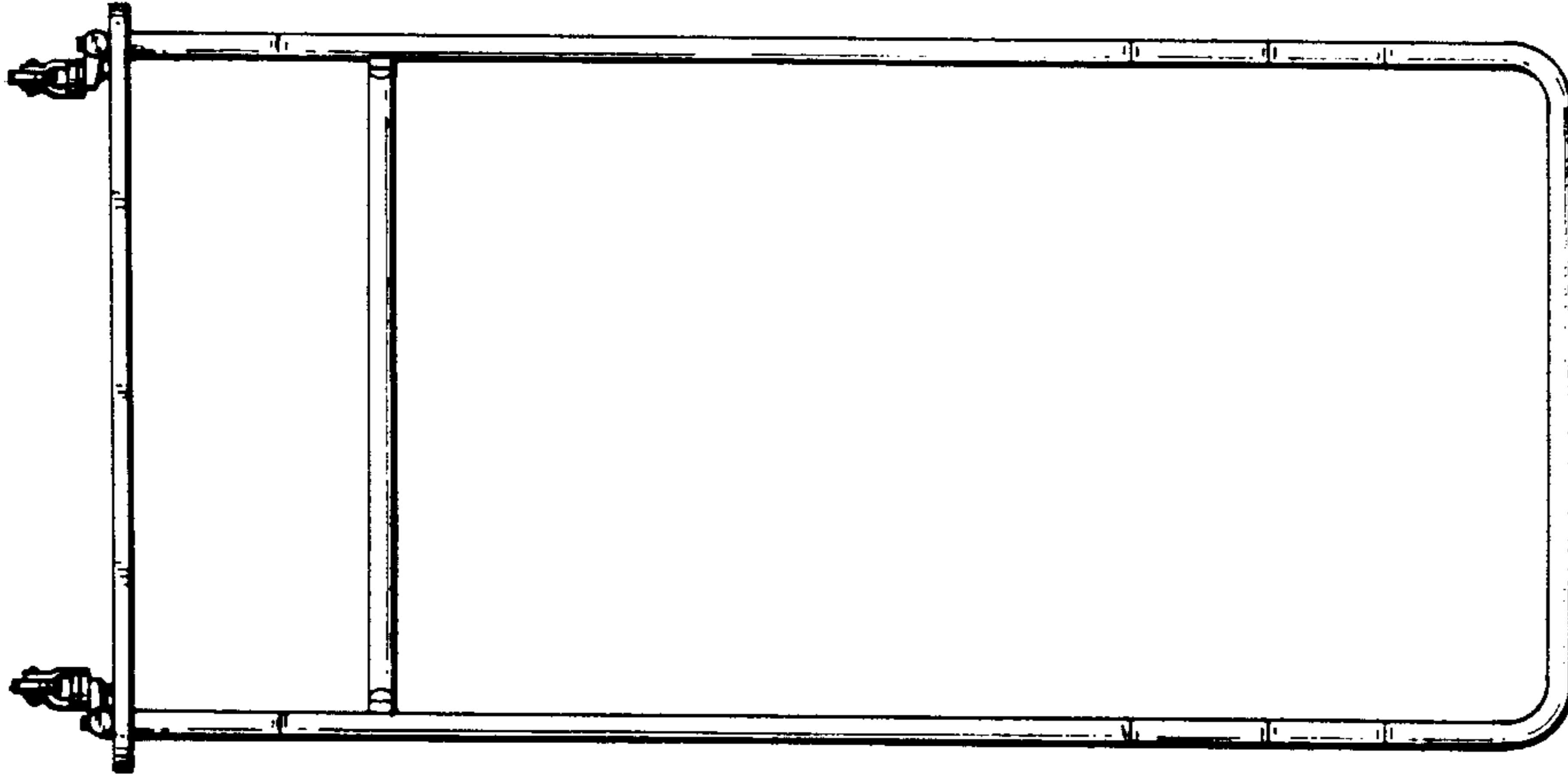


FIG. 6

