

[54] GEM HOLDER FOR COLOR EVALUATING

[76] Inventor: Michael Z. Wolkenfeld, 1235 S. Smithwood, Los Angeles, Calif. 90035

[**] Term: 14 Years

[21] Appl. No.: 961,959

[22] Filed: Nov. 20, 1978

[51] Int. Cl. D15-99

[52] U.S. Cl. D15/140

[58] Field of Search D10/46, 81; D30/13; 119/61; D3/11, 12, 17; D20/10, 15, 17; D16/48, 54, 57-58, 83; D6/140; D9/242-243; D21/54, 56; D19/75, 83, 91; D15/140

[56] References Cited

U.S. PATENT DOCUMENTS

D. 92,775	7/1934	Sekine	D9/242 X
D. 106,826	11/1937	Dieffenbach	D9/242
D. 241,042	8/1976	Kupiec	D10/46
1,383,646	7/1921	Luckinbill	119/61

OTHER PUBLICATIONS

Popular Science, 5/8/44, p. 182, Feed Trough at bottom.

Primary Examiner—Nelson C. Holtje
Attorney, Agent, or Firm—Paul D. Supnik

[57] CLAIM

The ornamental design for a gem holder for color evaluating, substantially as shown and described.

DESCRIPTION

FIG. 1 is a top and left front perspective view of a gem holder for color evaluating showing my new design; FIG. 2 is a bottom and right rear perspective view thereof; FIG. 3 is a top plan view thereof; FIG. 4 is a front elevational view thereof; FIG. 5 is a right side elevational view thereof, the left side being a mirror image thereto; FIG. 6 is a rear elevational view thereof; FIG. 7 is a bottom plan view thereof; and FIG. 8 is a cross-sectional view as taken from line 8-8 of FIG. 3.

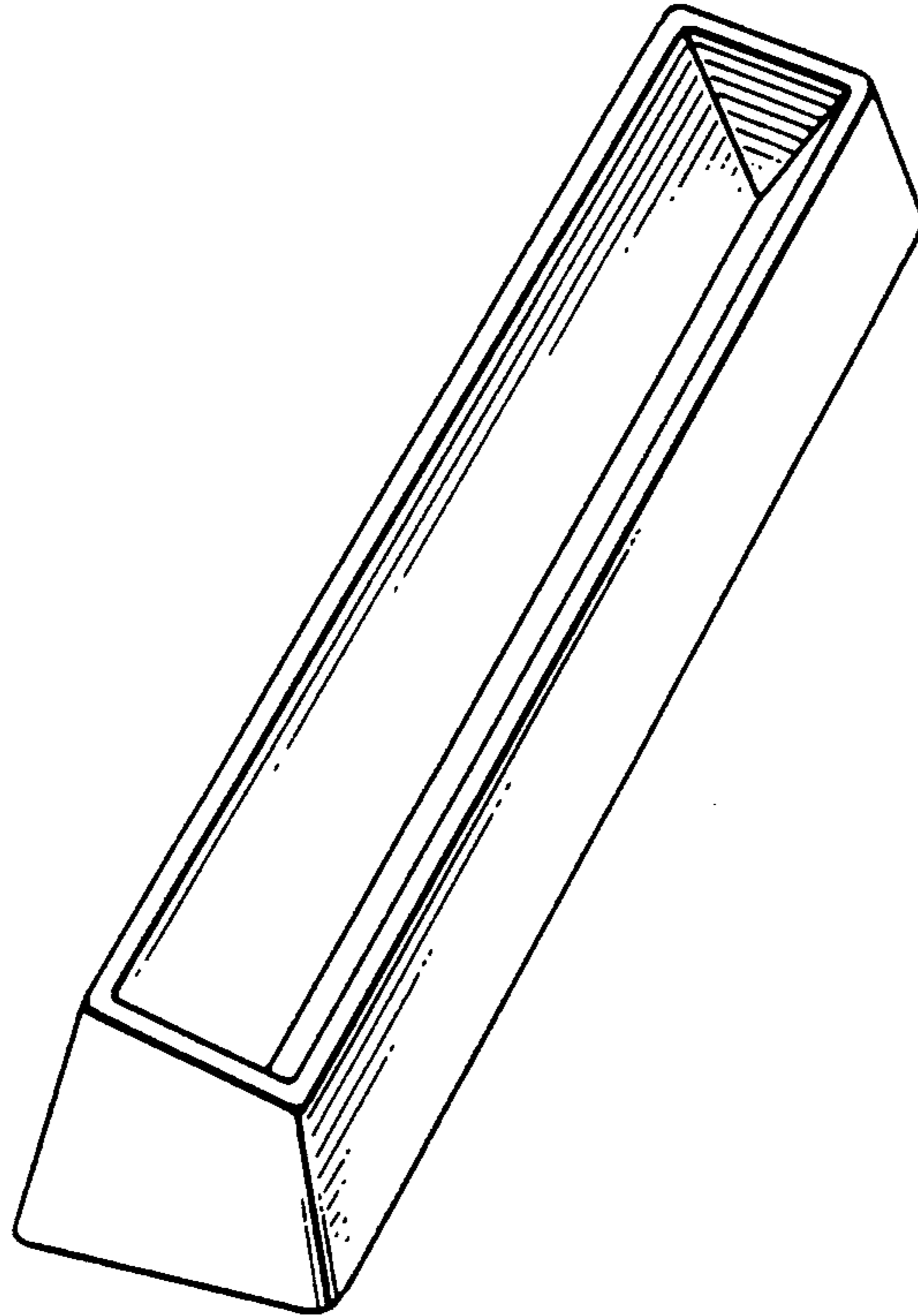


FIG. 1.

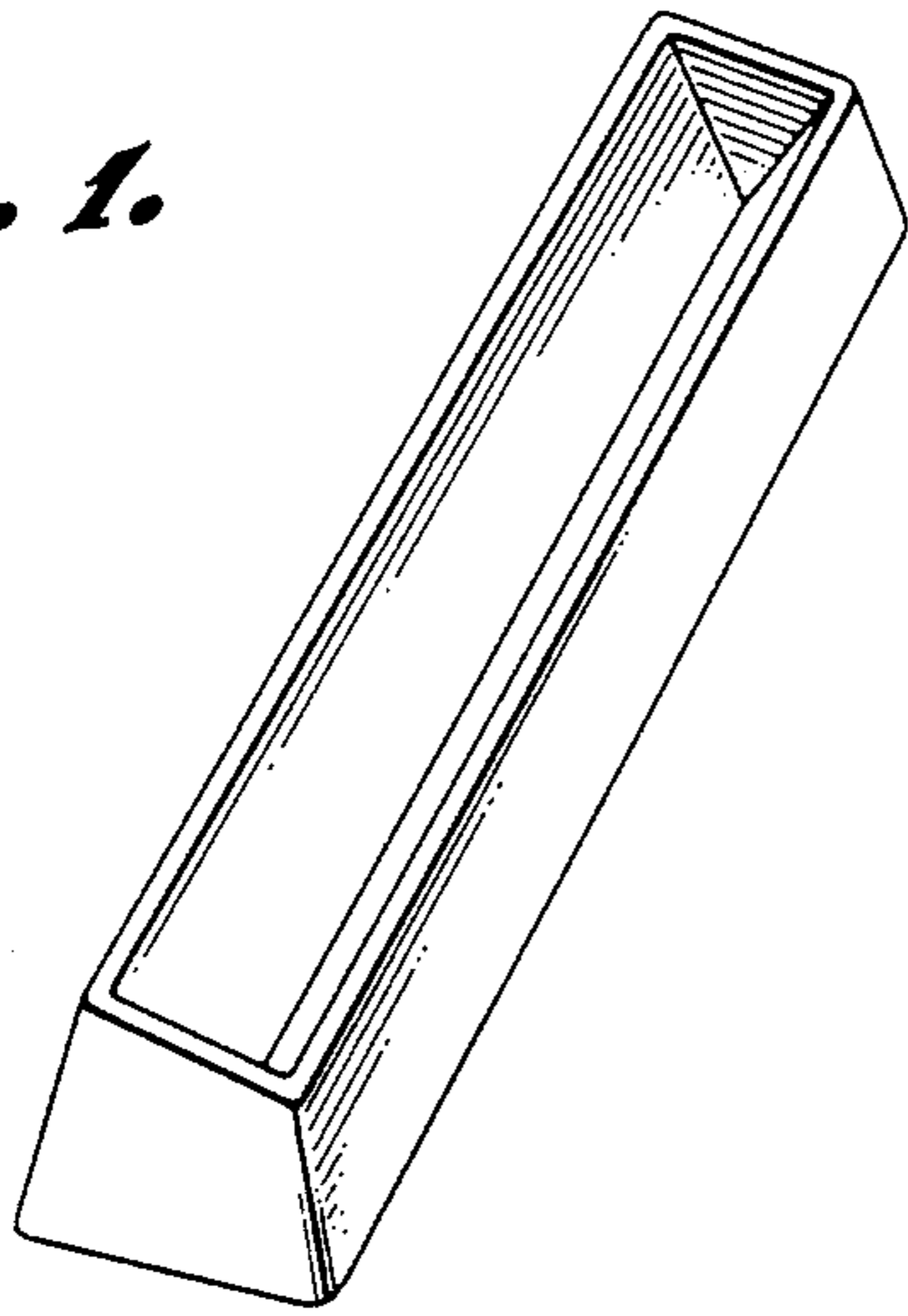


FIG. 2.

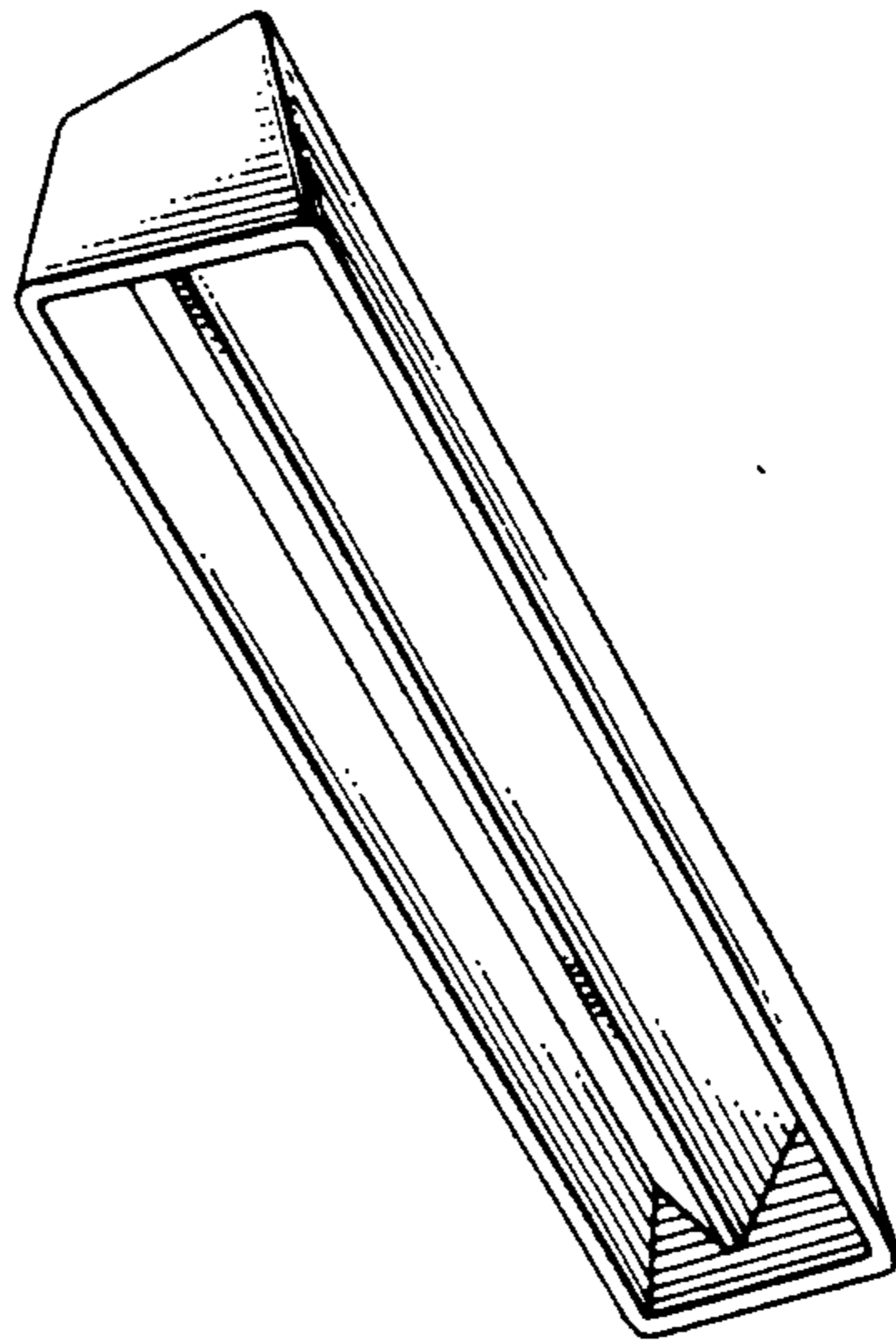


FIG. 3.

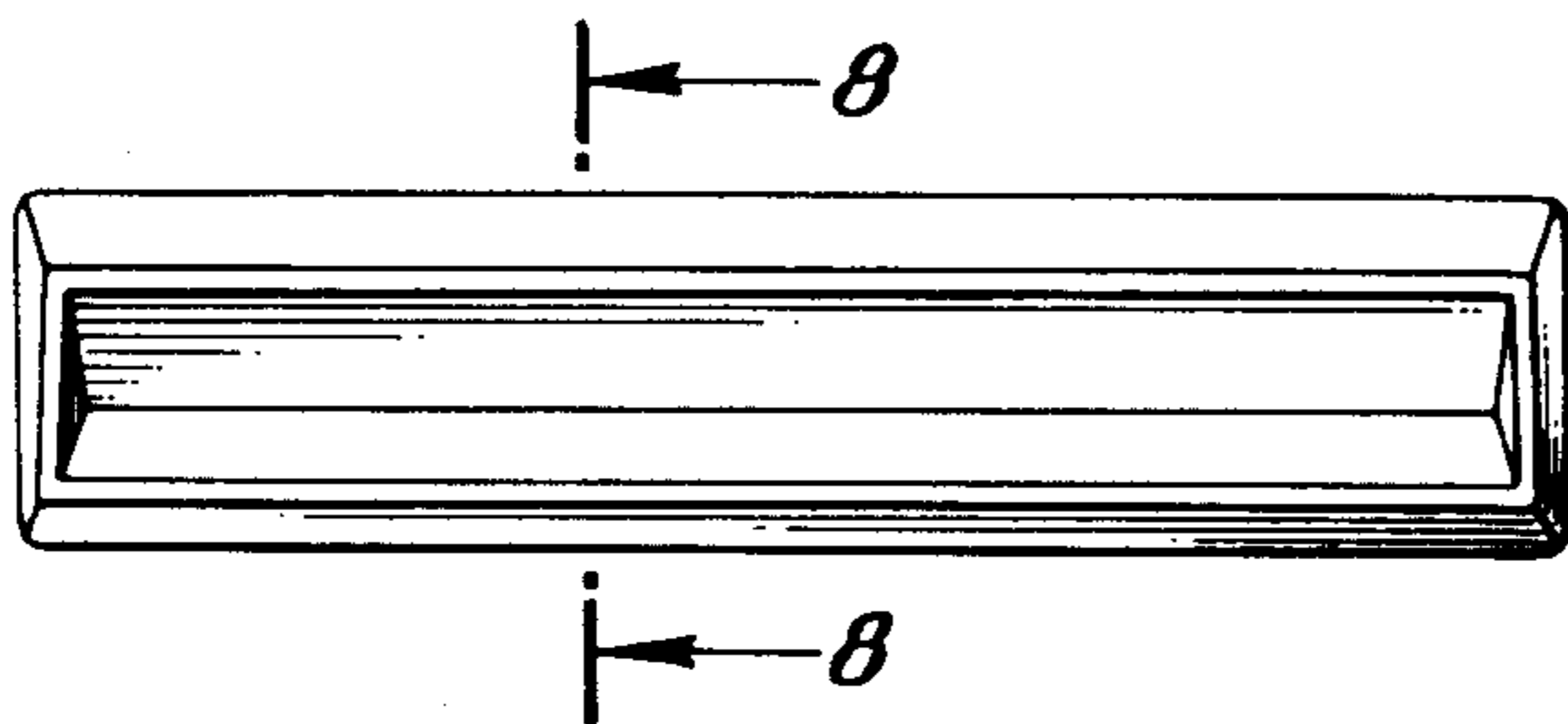


FIG. 4.

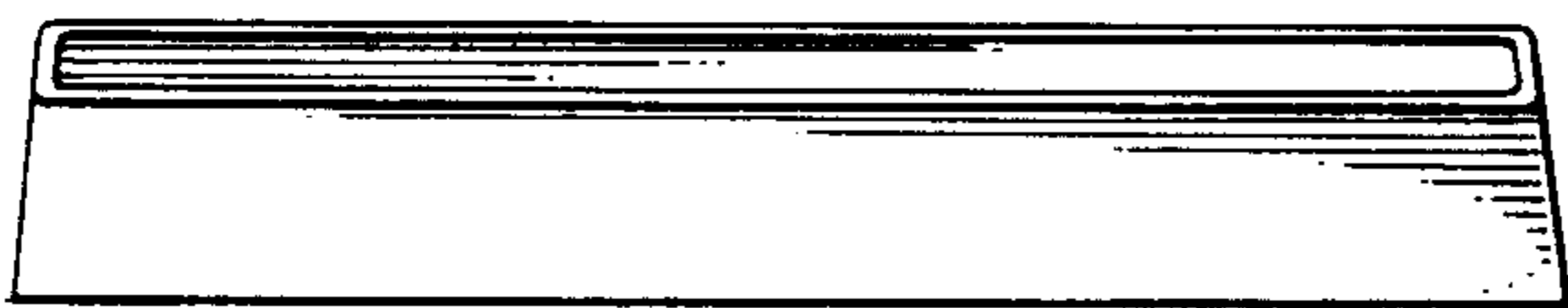


FIG. 5.



FIG. 6.

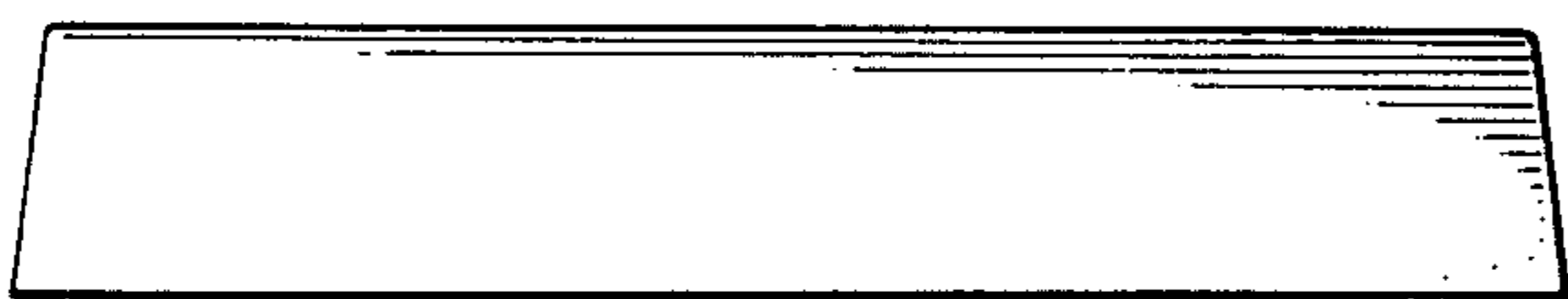


FIG. 7.

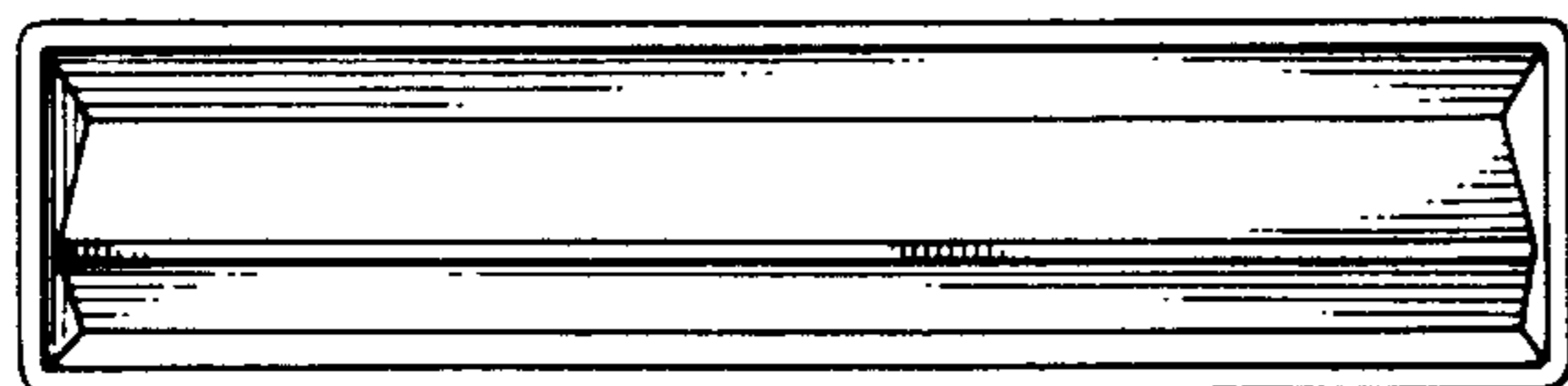


FIG. 8.

