

[54] SIGNAL WAND

[76] Inventors: Leah R. Branner, 15-10900 No. 3 Rd., Richmond, British Columbia, Canada, V7A 1X1; Lea Carrothers, 27908 N. Honeycomb, Saugus, Calif. 91350

[\*\*] Term: 14 Years

[21] Appl. No.: 13,927

[22] Filed: Feb. 22, 1979

[51] Int. Cl. .... D10-06

[52] U.S. Cl. .... D10/114

[58] Field of Search ..... D10/114, 109; D26/37, D26/36, 28, 38, 39, 40, 41, 45, 46, 48; 340/321, 81, 84, 87; 362/157, 190, 197, 200, 202, 205

[56] References Cited

U.S. PATENT DOCUMENTS

D. 224,628	8/1972	Lamb	.....	D10/114 X
D. 225,378	12/1972	Rachman	.....	D10/114 X
3,075,174	1/1963	Orszulak	.....	D10/114 X
4,042,919	8/1977	Patty	.....	340/321

Primary Examiner—Susan J. Lucas

Attorney, Agent, or Firm—Robert Louis Finkel

[57] CLAIM

The ornamental design for a signal wand, as shown and described.

DESCRIPTION

FIG. 1 is a frontal elevational view of one of the two identical faces of a signal wand embodying our new design;

FIG. 2 is a side elevational view of one of the two identical sides of the signal wand of FIG. 1;

FIG. 3 is a top plan view of the signal wand of FIG. 1;

FIG. 4 is a bottom plan view of the signal wand of FIG. 1;

FIG. 5 is a frontal elevational view of one of the two identical faces of a modified form of the signal wand of FIG. 1;

FIG. 6 is a frontal elevational view of one of the two identical faces of another modified form of the signal wand of FIG. 1;

FIG. 7 is a frontal elevational view of one of the two identical faces of another modified form of the signal wand of FIG. 1; and

FIG. 8 is a typical side elevational view of one of the two identical sides of the signal wands of FIGS. 5, 6 and 7.

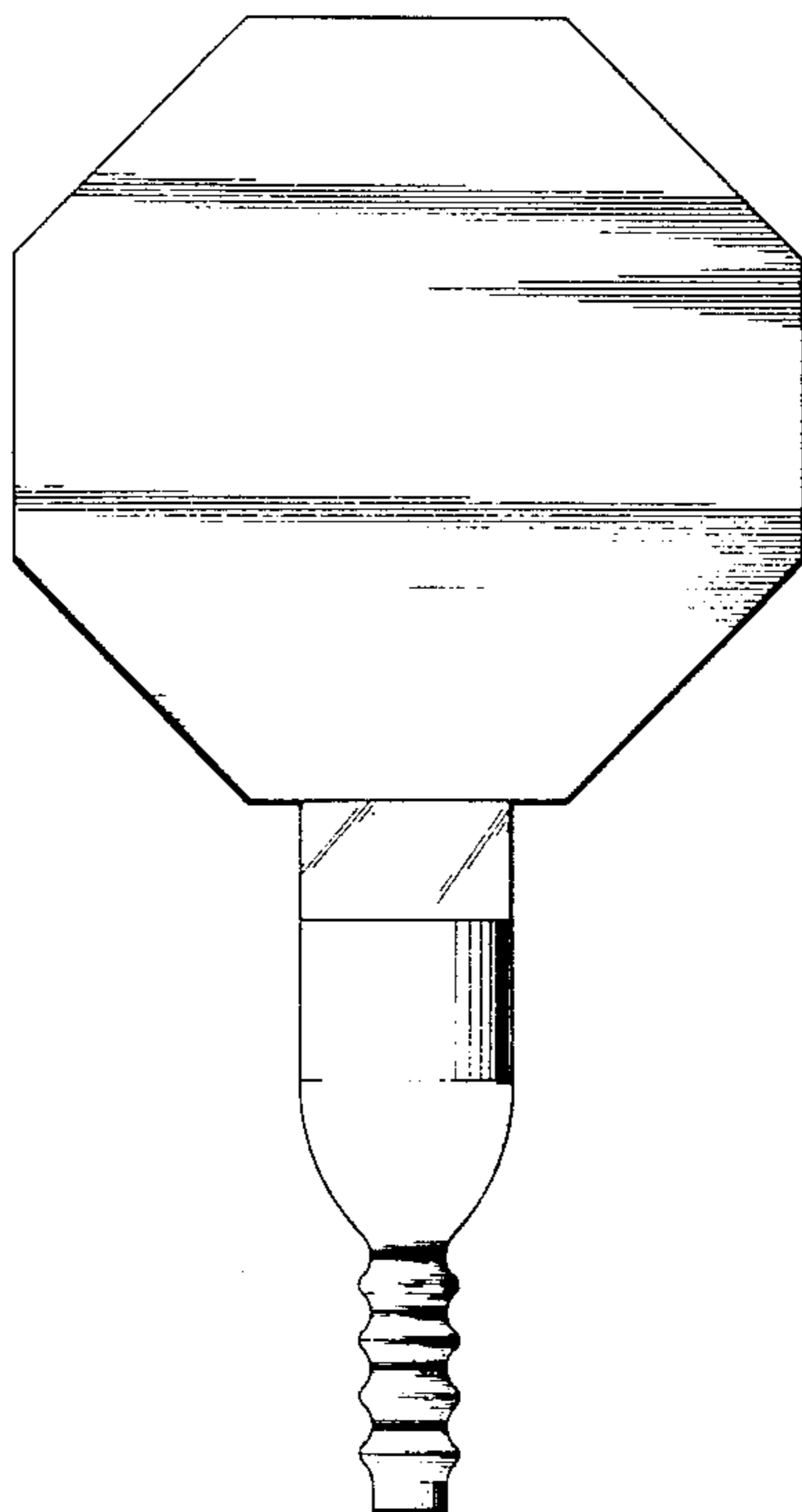


FIG. 1

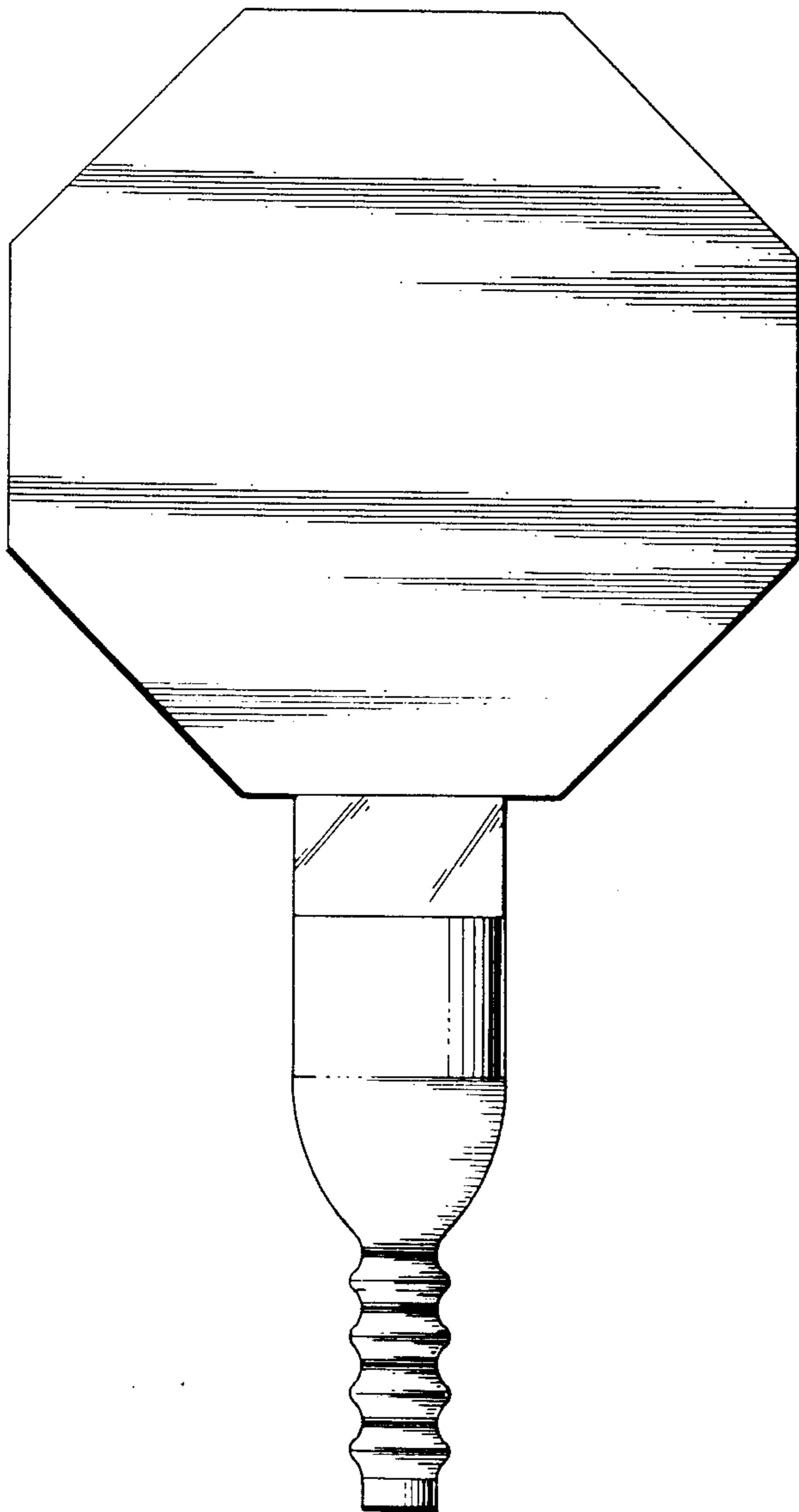


FIG. 2

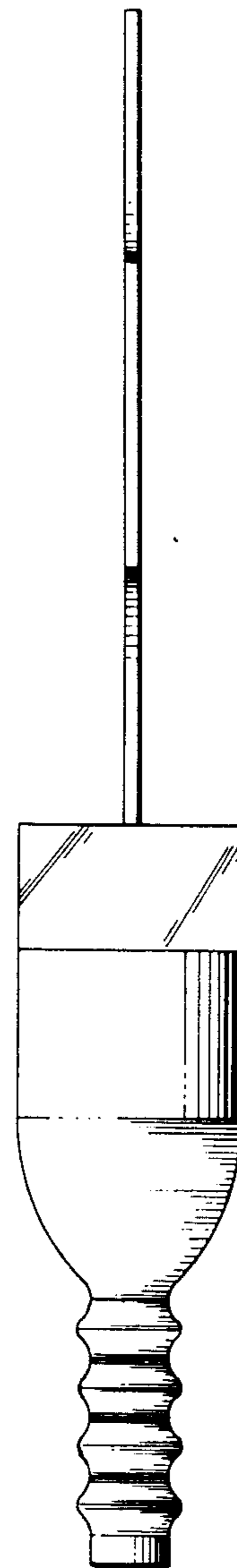


FIG. 3

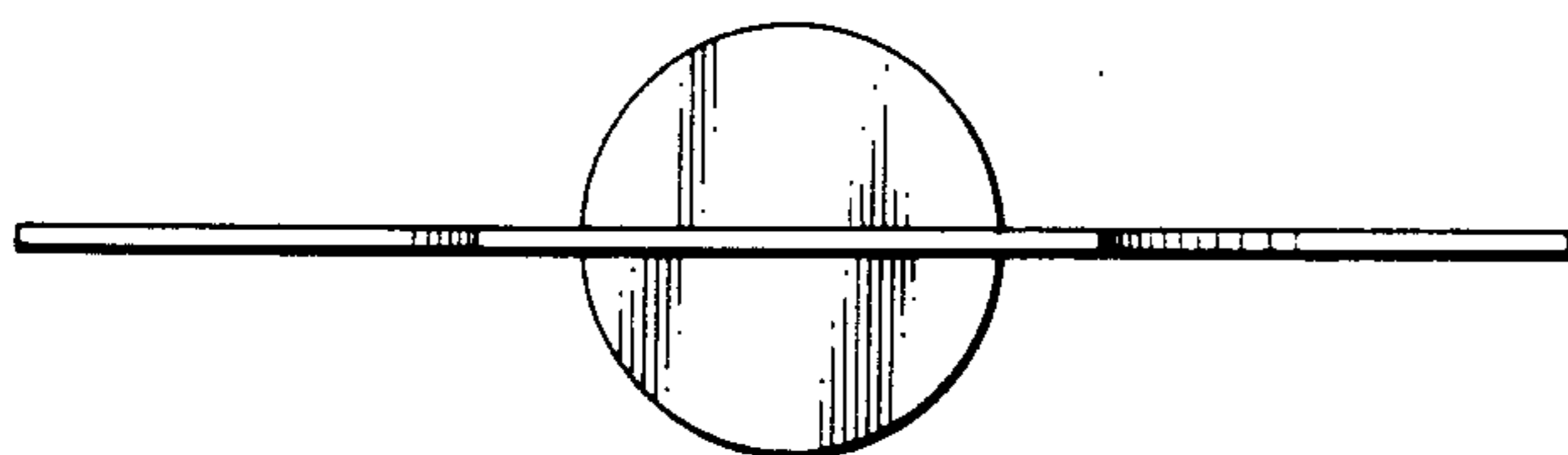
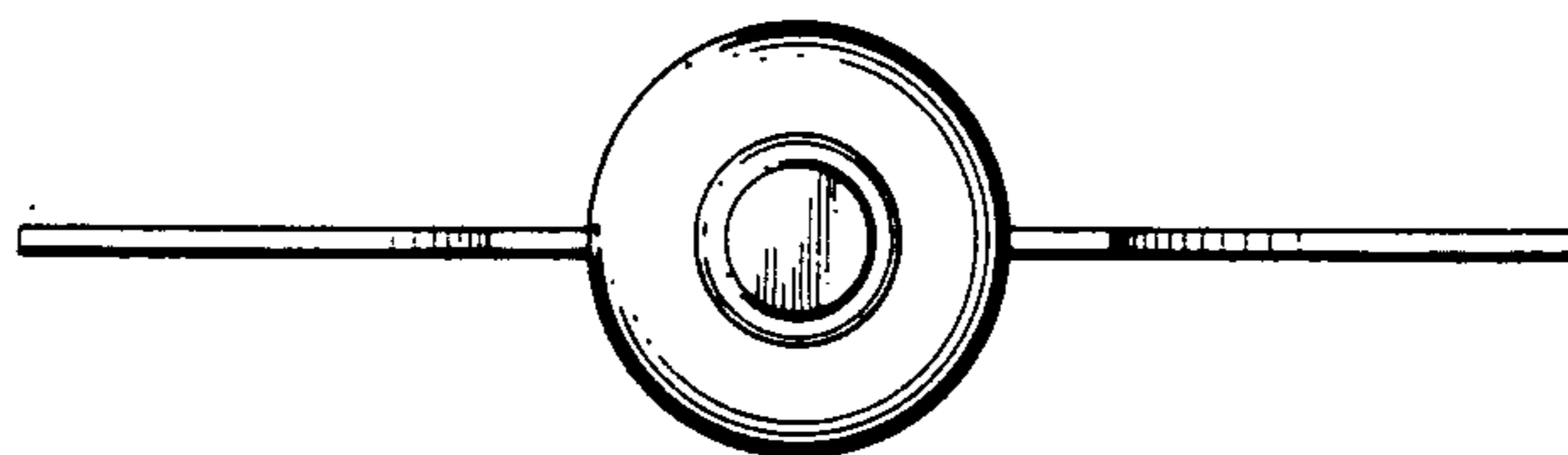


FIG. 4



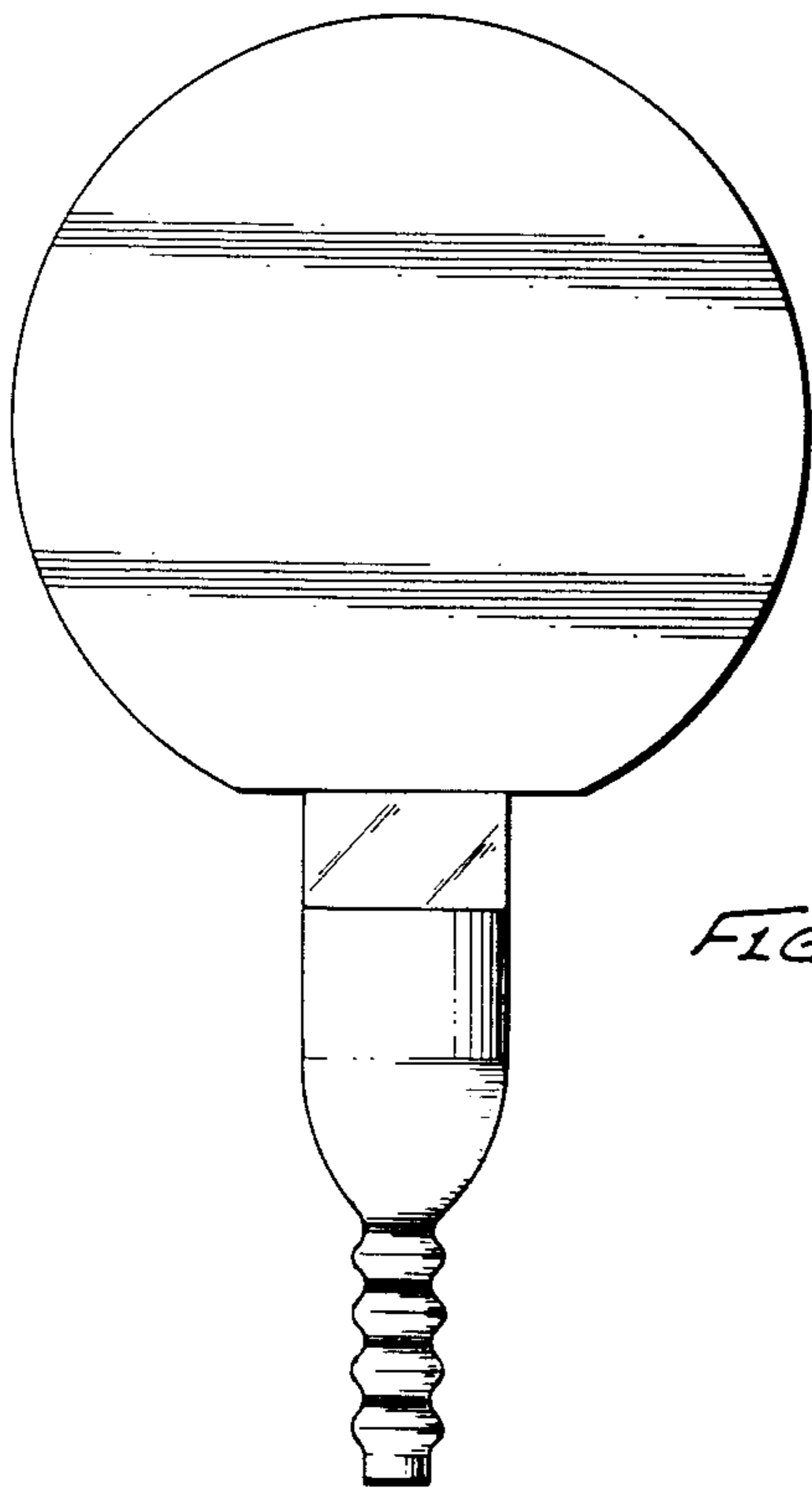


FIG. 5

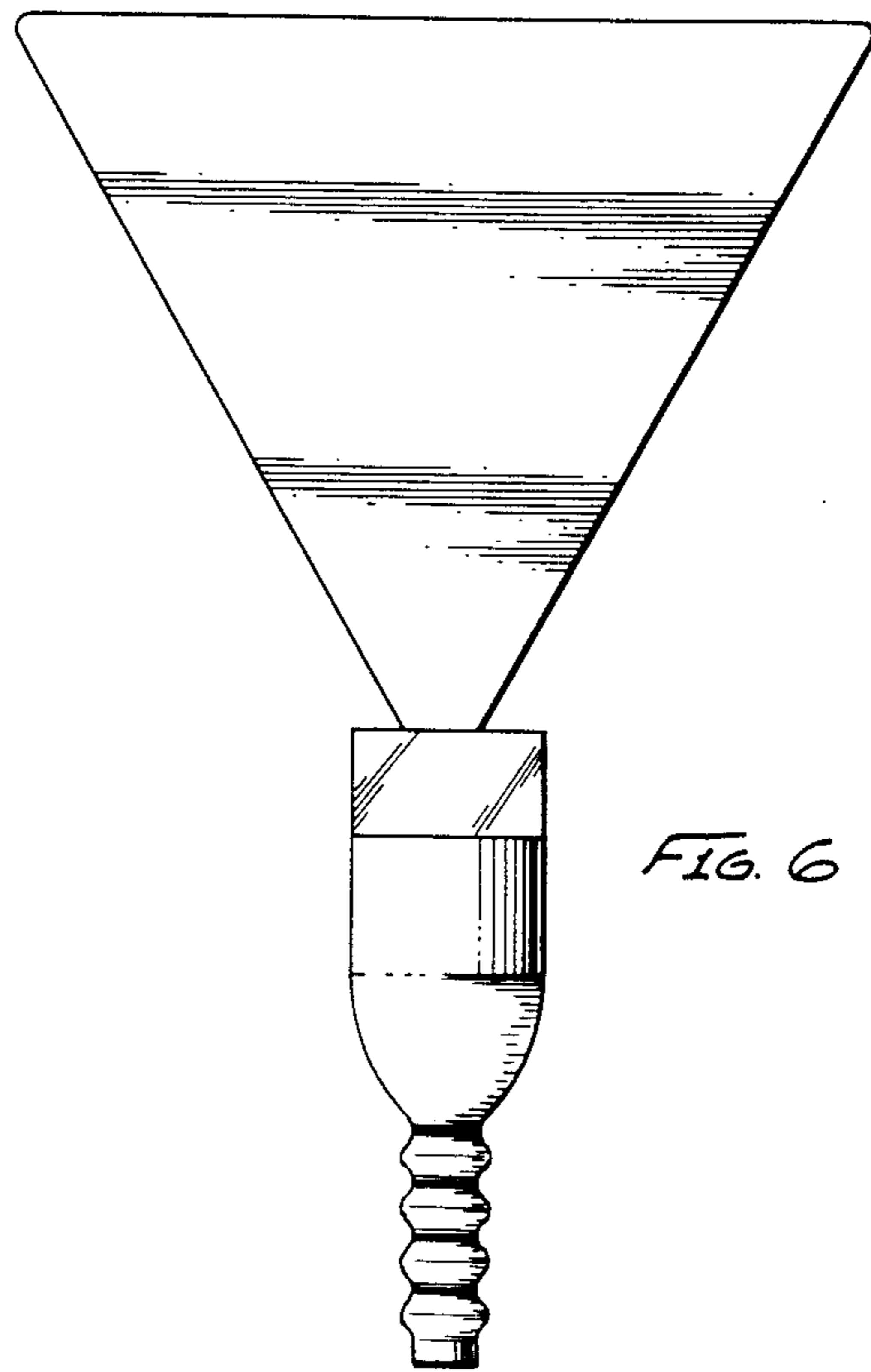


FIG. 6

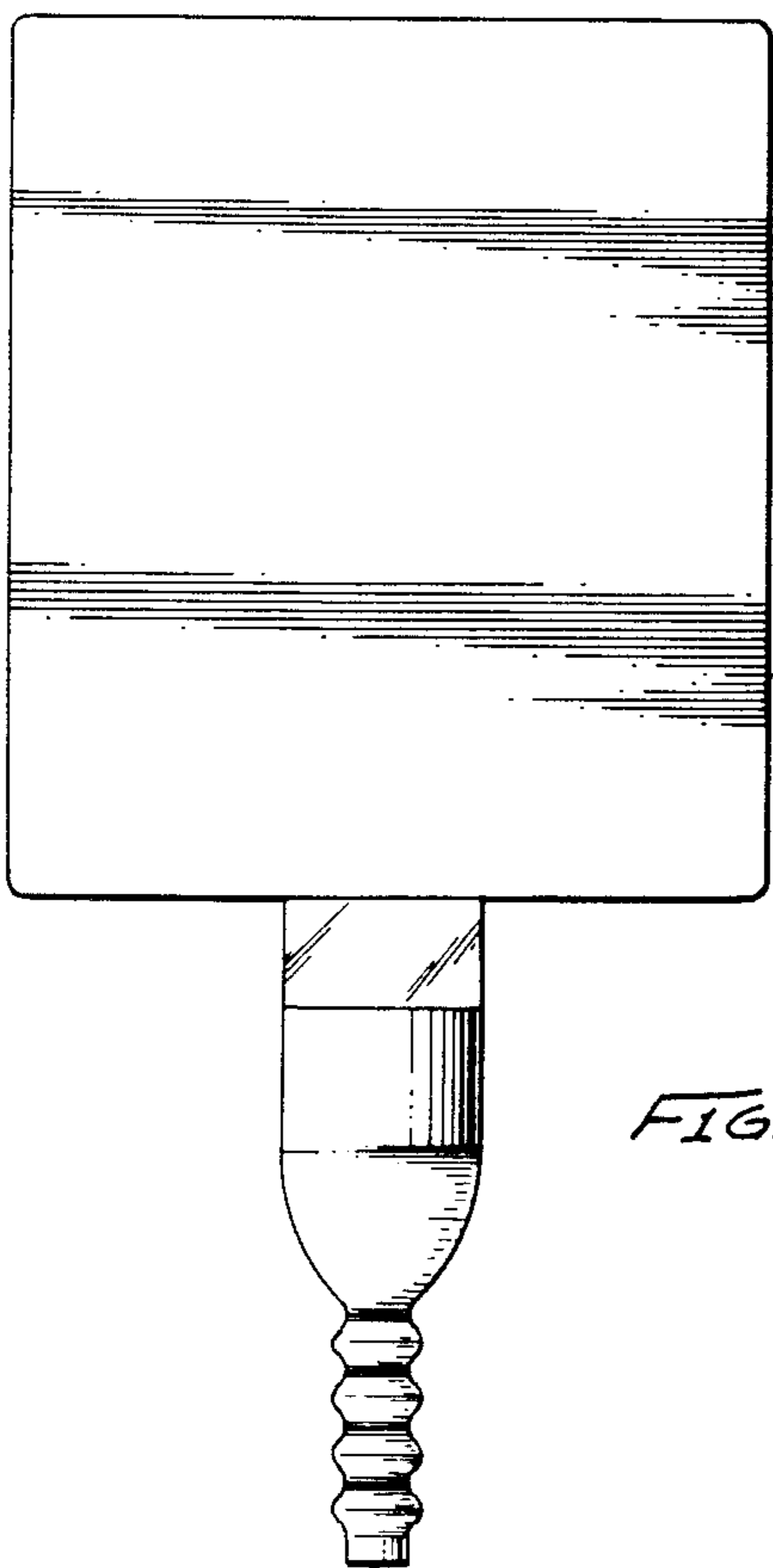


FIG. 7

FIG. 8

