

[54] FREE-STANDING REFUSE CHUTE

[75] Inventor: Leif S. Bondeson, Malmo, Sweden

[73] Assignee: Platmanufaktur AB, Malmo, Sweden

[**] Term: 14 Years

[21] Appl. No.: 912,590

[22] Filed: Jun. 5, 1978

[30] Foreign Application Priority Data

Dec. 7, 1977 [SE] Sweden 77-2542

[51] Int. Cl. D7-05

[52] U.S. Cl. D7/194

[58] Field of Search D7/189, 194; 232/1 R, 232/43.1, 43.2, 43.3, 43.4, 43.5, 44; 220/1 R, 1 T, 18

[56] References Cited

U.S. PATENT DOCUMENTS

993,794	5/1911	Raggio	232/1 R
1,698,683	1/1929	Reynolds	232/43.2
2,532,289	12/1950	Cahill	232/43.1 X
3,075,692	1/1963	Lumley	232/43.2

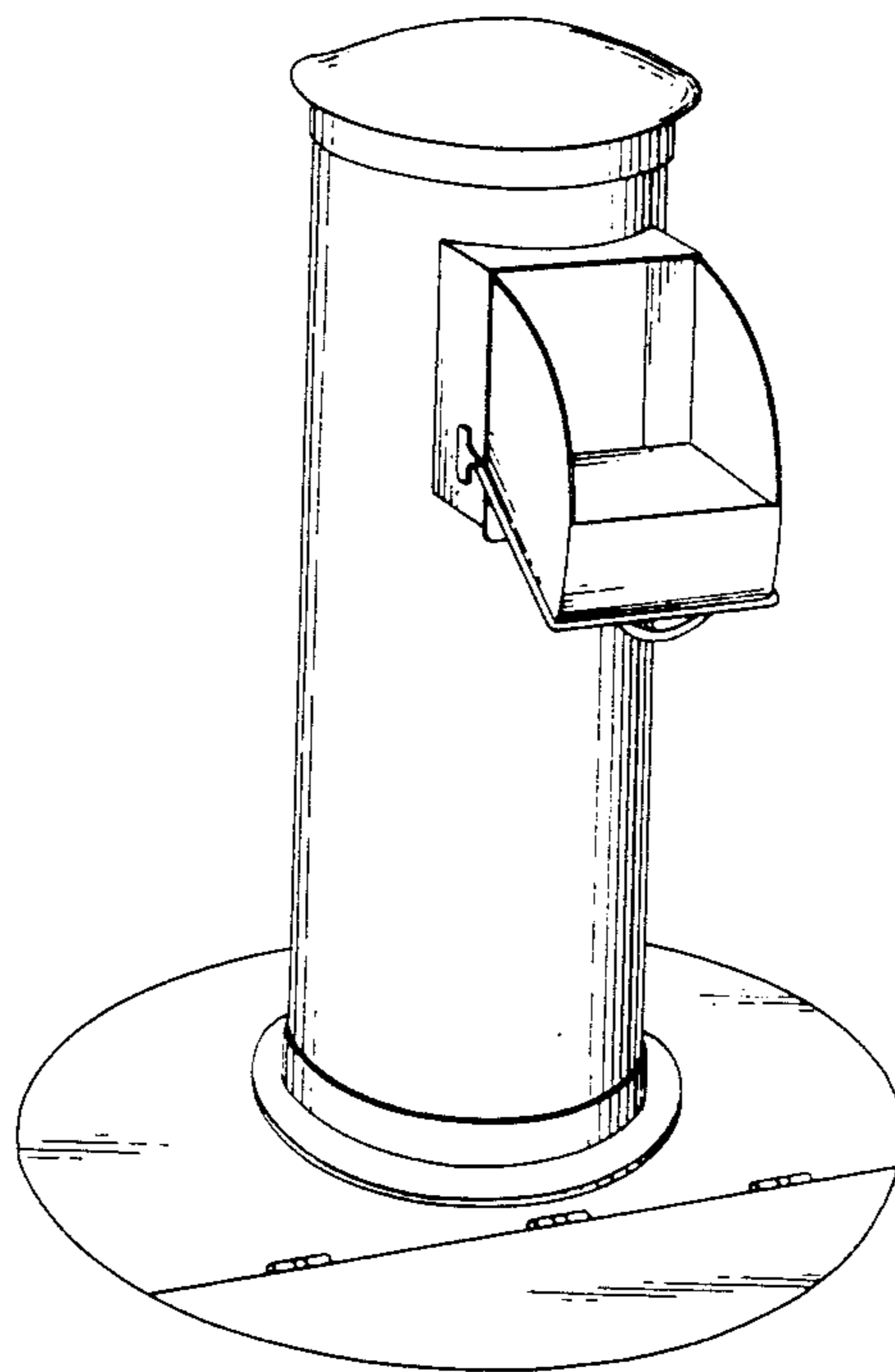
Primary Examiner—Catherine E. Kemper

[57] CLAIM

The ornamental design for a free-standing refuse chute, as shown and described.

DESCRIPTION

FIG. 1 is a perspective view of a free-standing refuse chute showing my new design with the door open; FIG. 2 is a perspective view thereof shown with the door closed; and FIG. 3 is a side elevational view of the free-standing refuse chute as it appears in FIG. 2.



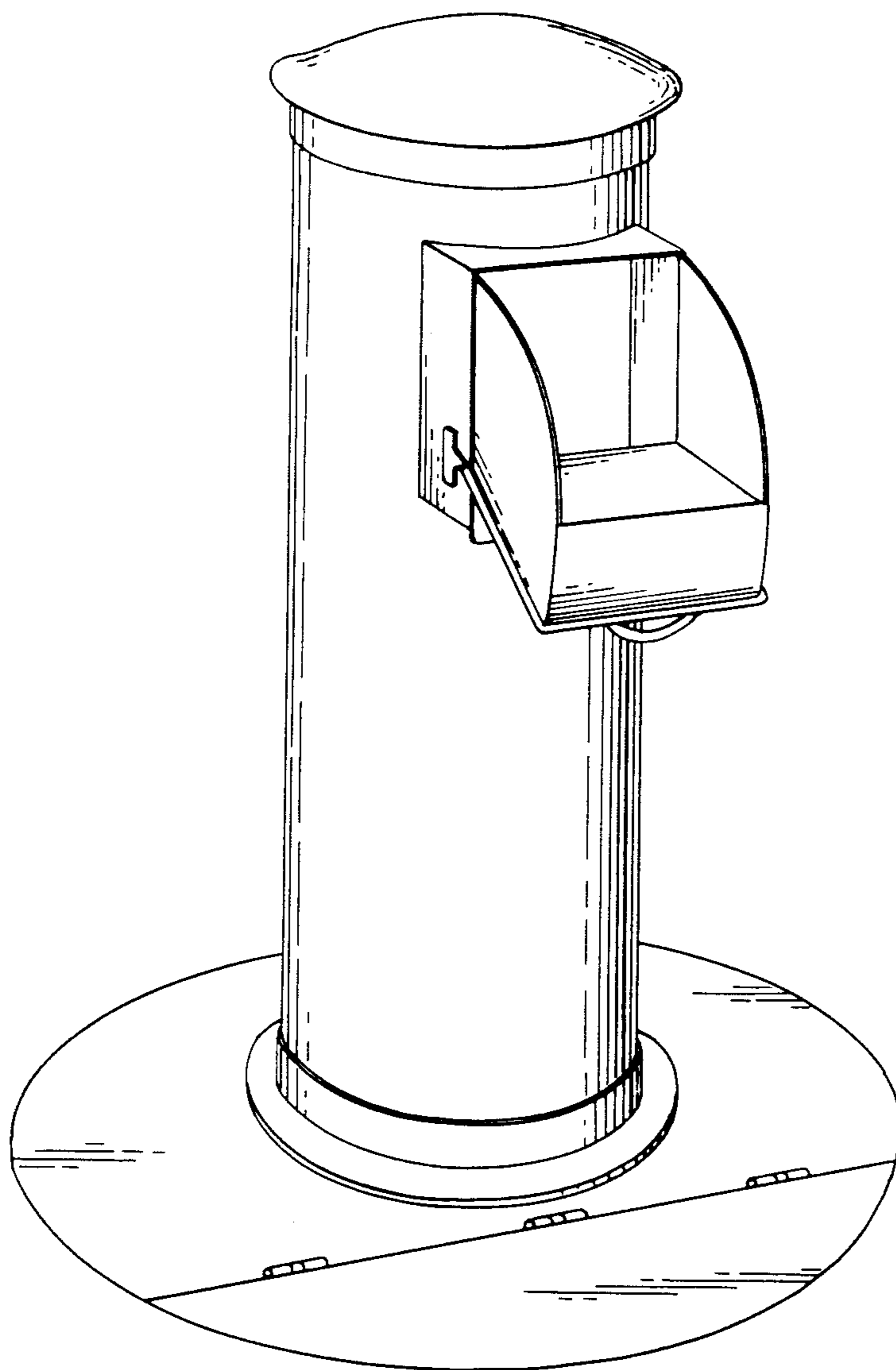


FIG. 1

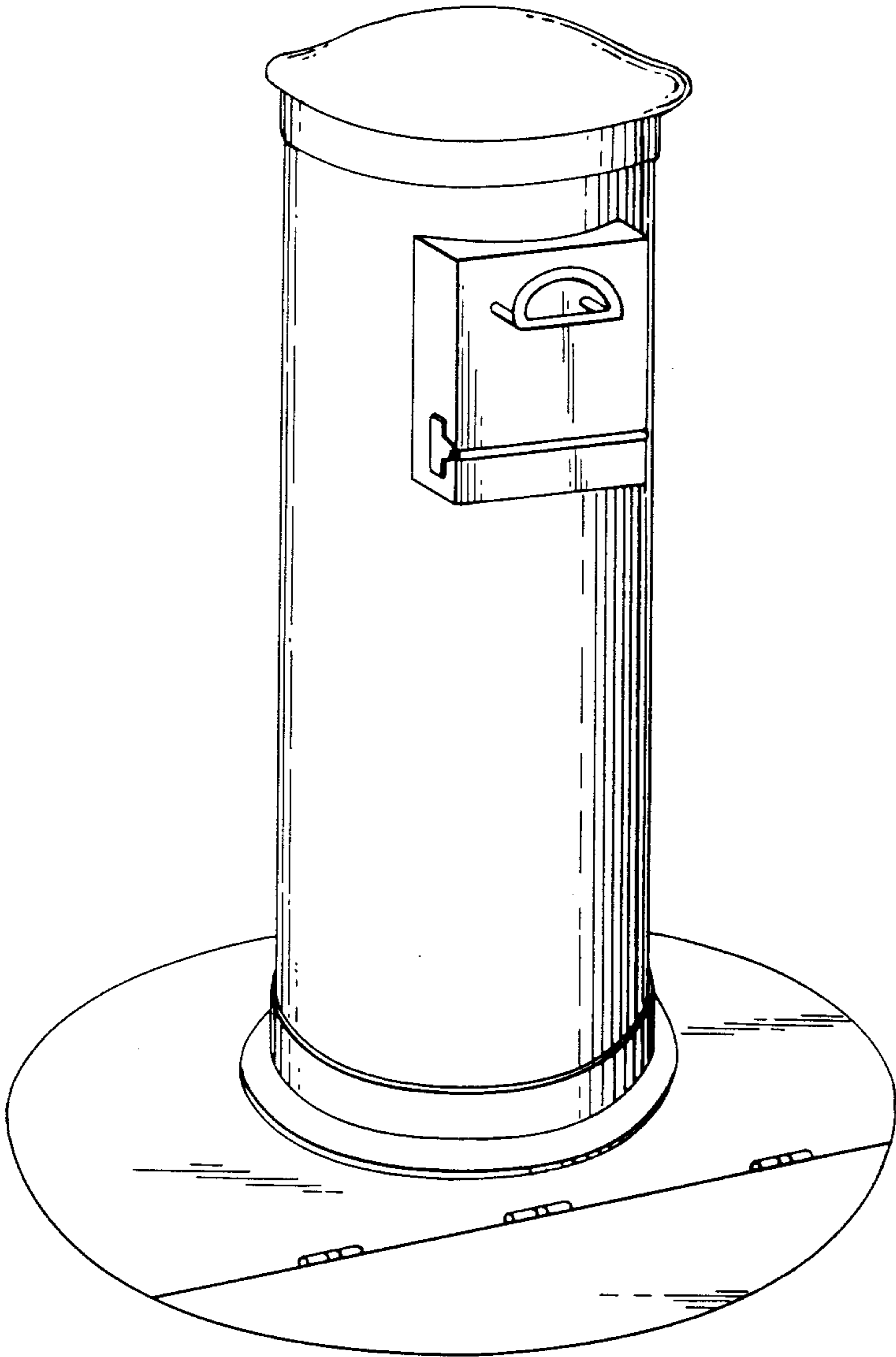


FIG. 2

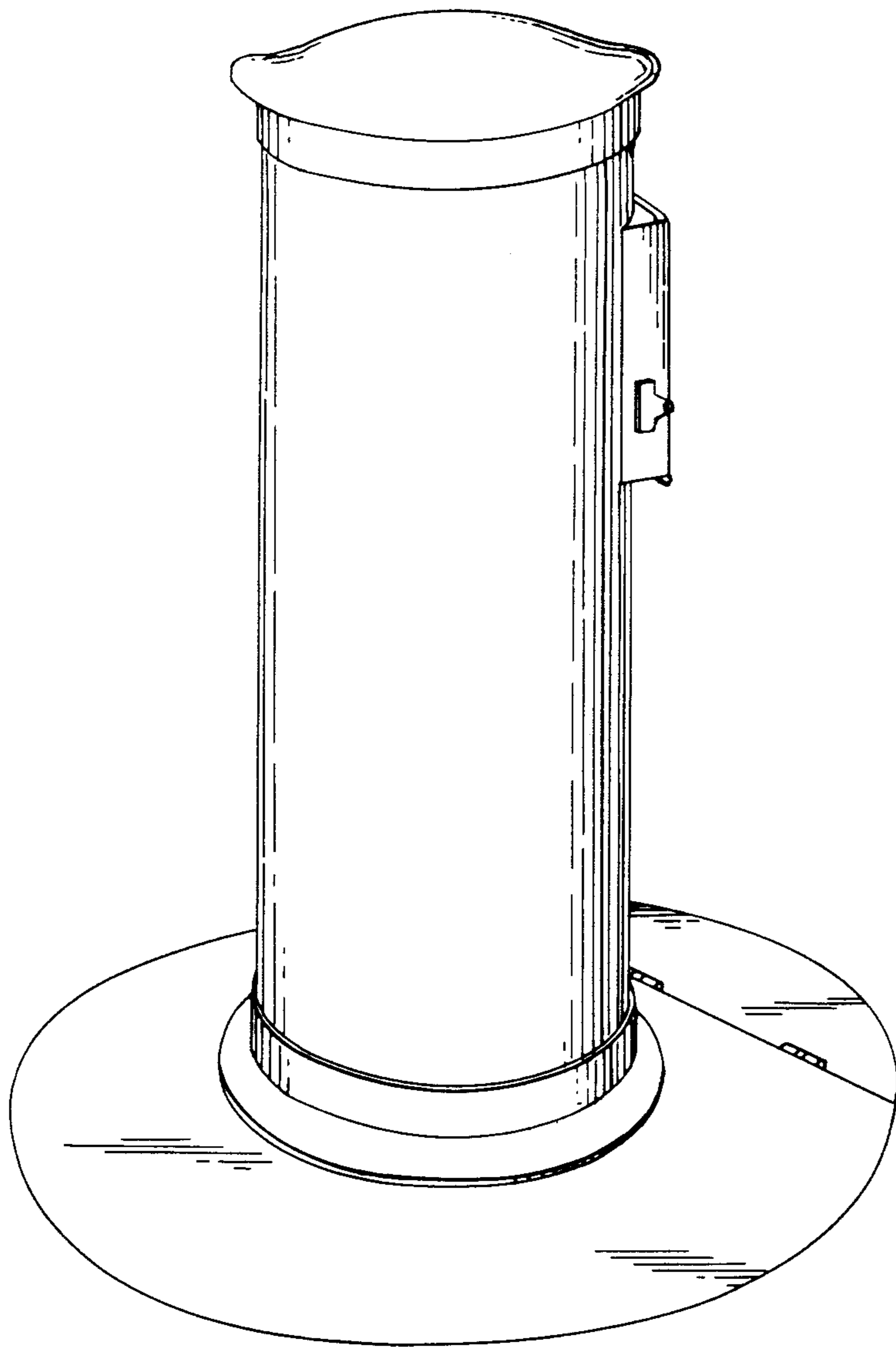


FIG. 3