

[54] WORK APRON OR THE LIKE

[75] Inventor: Percy Rosenbloom, III, Jacksonville, Fla.

[73] Assignee: Technical Materials, Inc., Jacksonville, Fla.

[**] Term: 14 Years

[21] Appl. No.: 28,280

[22] Filed: Apr. 9, 1979

[51] Int. Cl. D2-02

[52] U.S. Cl. D2/229

[58] Field of Search D2/25, 27, 223-229; 2/51, 247, DIG. 6

[56] References Cited

U.S. PATENT DOCUMENTS

D. 190,159	4/1961	Goldstein	D2/229
905,796	12/1908	Cummings	2/247
1,764,483	6/1930	Watkins	2/247
2,986,743	6/1961	Eilen	2/247 X

OTHER PUBLICATIONS

Sears Philadelphia Spring, Summer '63 Cat., p. 557, bottom #6 Item.

Primary Examiner—Joel Stearman
Assistant Examiner—Jane E. Corrigan
Attorney, Agent, or Firm—George H. Baldwin

[57] CLAIM

The ornamental design for work apron or the like, substantially as shown and described.

DESCRIPTION

FIG. 1 is a front elevational view of a work apron or the like showing my new design, with parts of the straps shown as broken away for convenience of illustration; FIG. 2 is a rear elevational view thereof; FIG. 3 is a top plan view thereof; FIG. 4 is a bottom view thereof; FIG. 5 is a right side elevational view thereof; FIG. 6 is a left side elevational view thereof.

In FIG. 1, the unshaded areas, directly above (1) the center and (2) lower left pockets, indicate surface character contrast with (1) the fabric of the apron and pockets and (2) the transparent window in the top pocket.

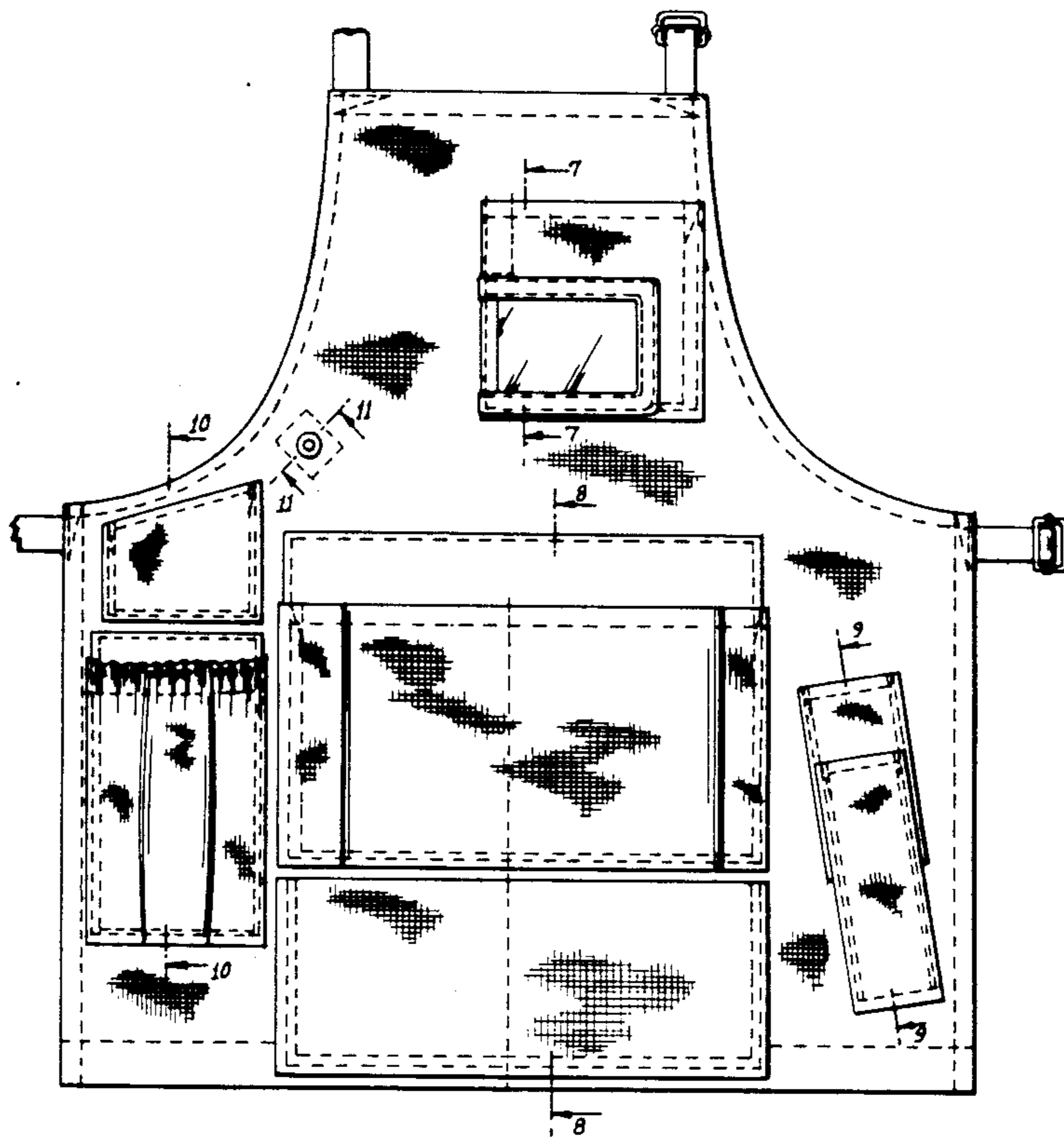


FIG. 1

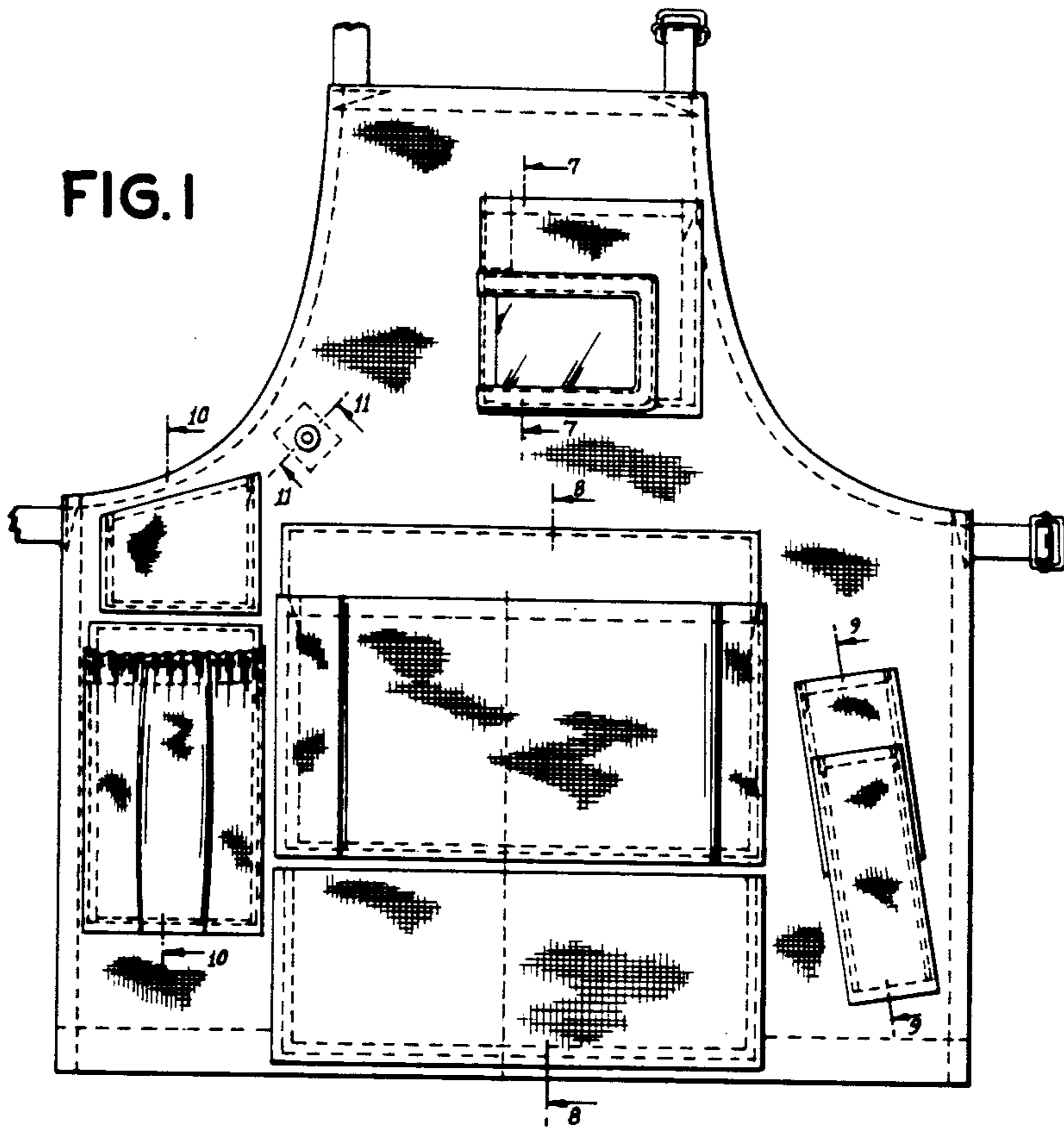


FIG. 2

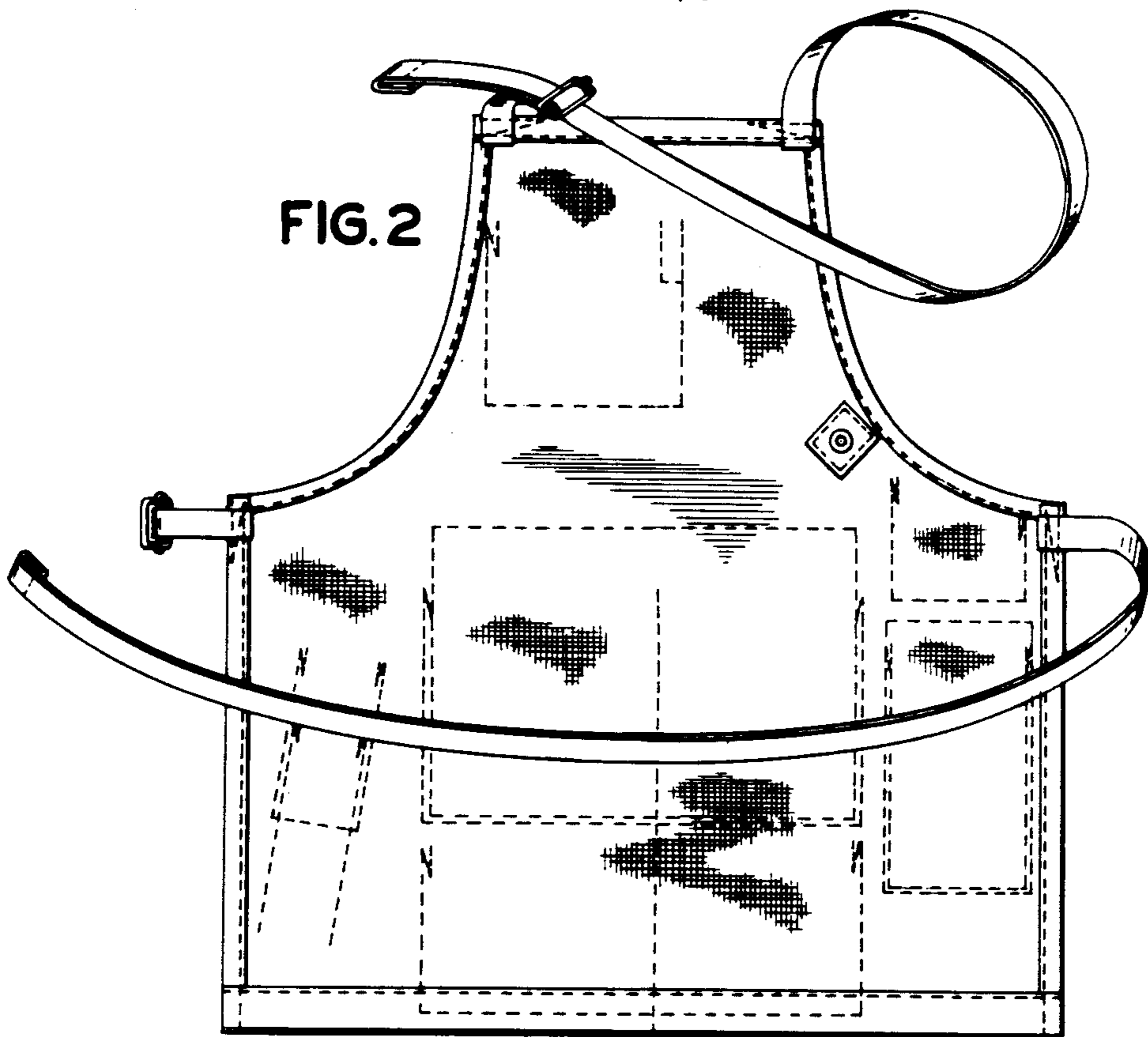


FIG.3

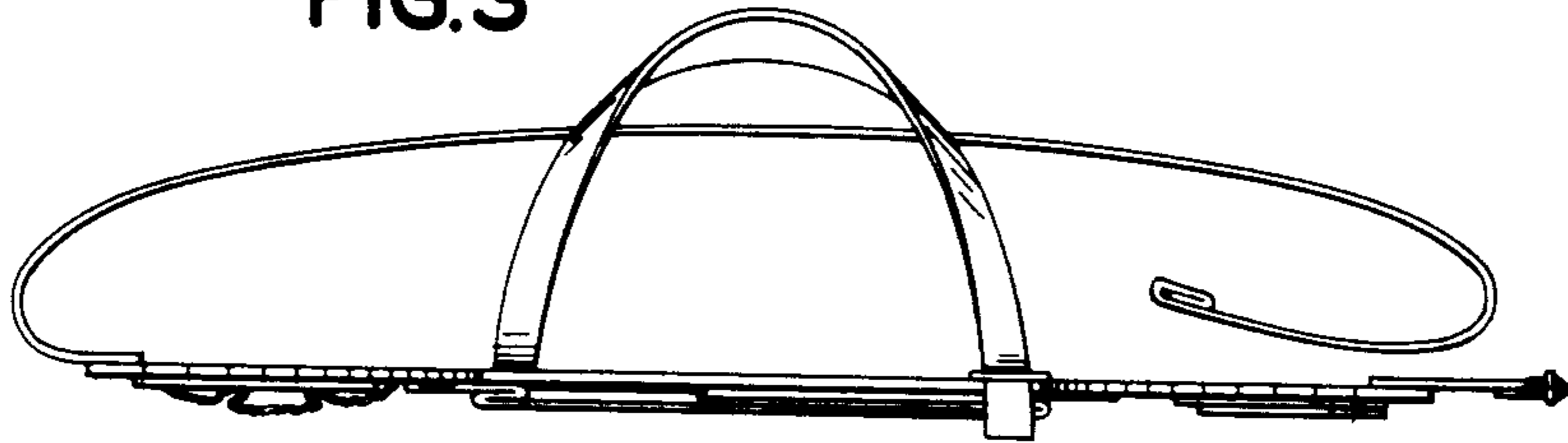


FIG.4

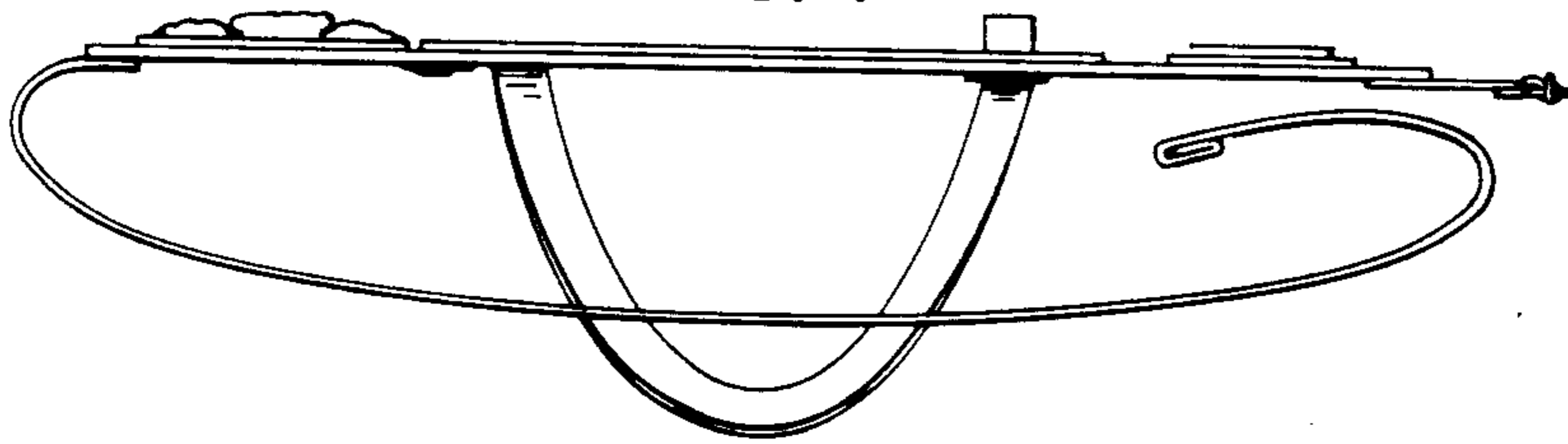


FIG.5

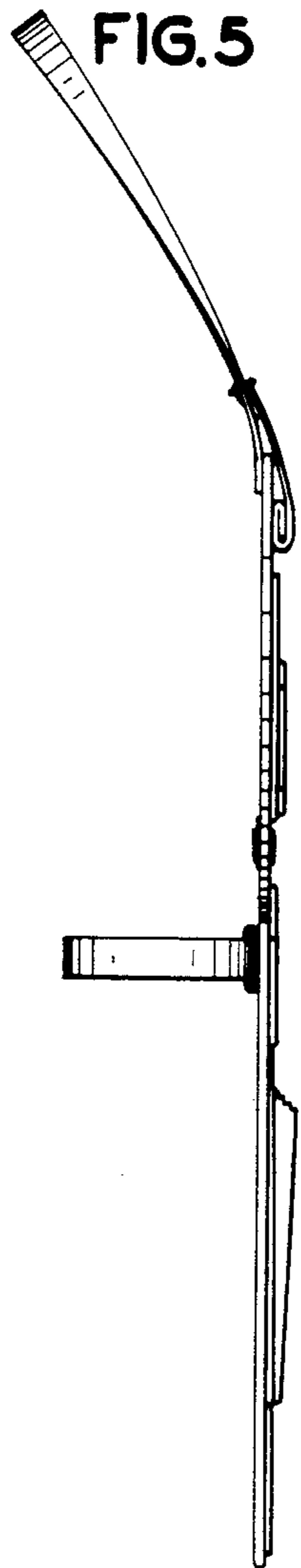


FIG.6

