

[54] EXIT POOL FOR AN AMUSEMENT WATER SLIDE

4,149,710 4/1979 Rouchard ..... 272/56.5 R

[76] Inventor: Robert H. Brown, 874 E. Woodward Rd., Manteca, Calif. 95336

Primary Examiner—Melvin B. Feifer  
Attorney, Agent, or Firm—Roger B. Webster

[\*\*] Term: 14 Years

[57] CLAIM

[21] Appl. No.: 4,665

The ornamental design for an exit pool for an amusement water slide, as shown.

[22] Filed: Jan. 19, 1979

DESCRIPTION

[51] Int. Cl. .... D21—03

FIG. 1 is a perspective view of an exit pool for an amusement water slide showing my new design.

[52] U.S. Cl. .... D21/252; D21/244; D25/2

FIG. 2 is a top plan view of the exit pool.

[58] Field of Search ..... D21/252, 244; D25/2; 272/1 B, 56.5 R

FIG. 3 is a longitudinal sectional elevation taken substantially on line 3—3 of FIG. 2.

FIG. 4 is a side elevation of said exit pool.

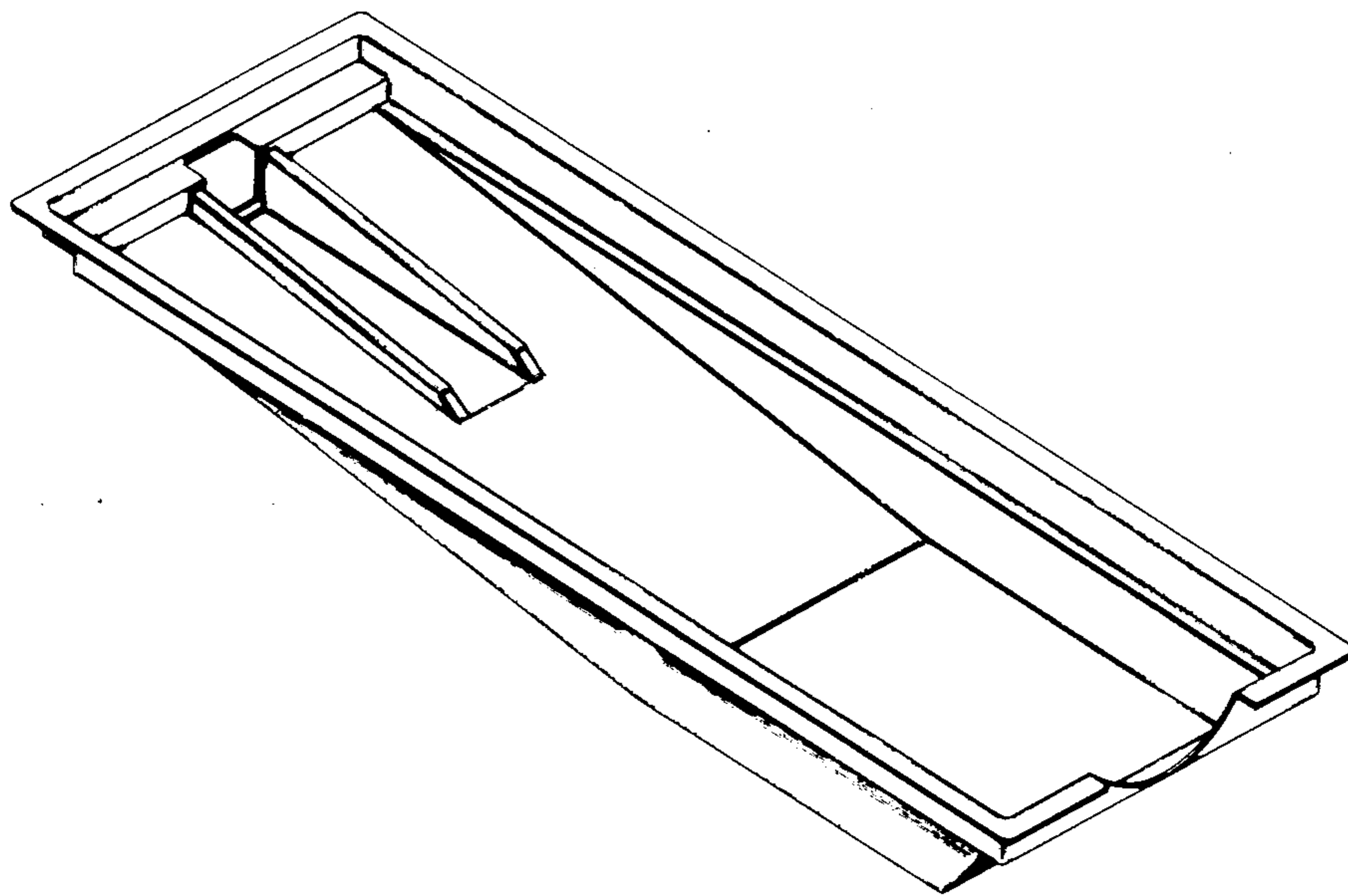
FIG. 5 is a rear end elevation of the same.

FIG. 6 is a front end elevation of the exit pool; the view looking rearwardly thereinto through the semi-circular front opening.

[56] References Cited

U.S. PATENT DOCUMENTS

2,140,978 12/1938 Beeby ..... D25/2



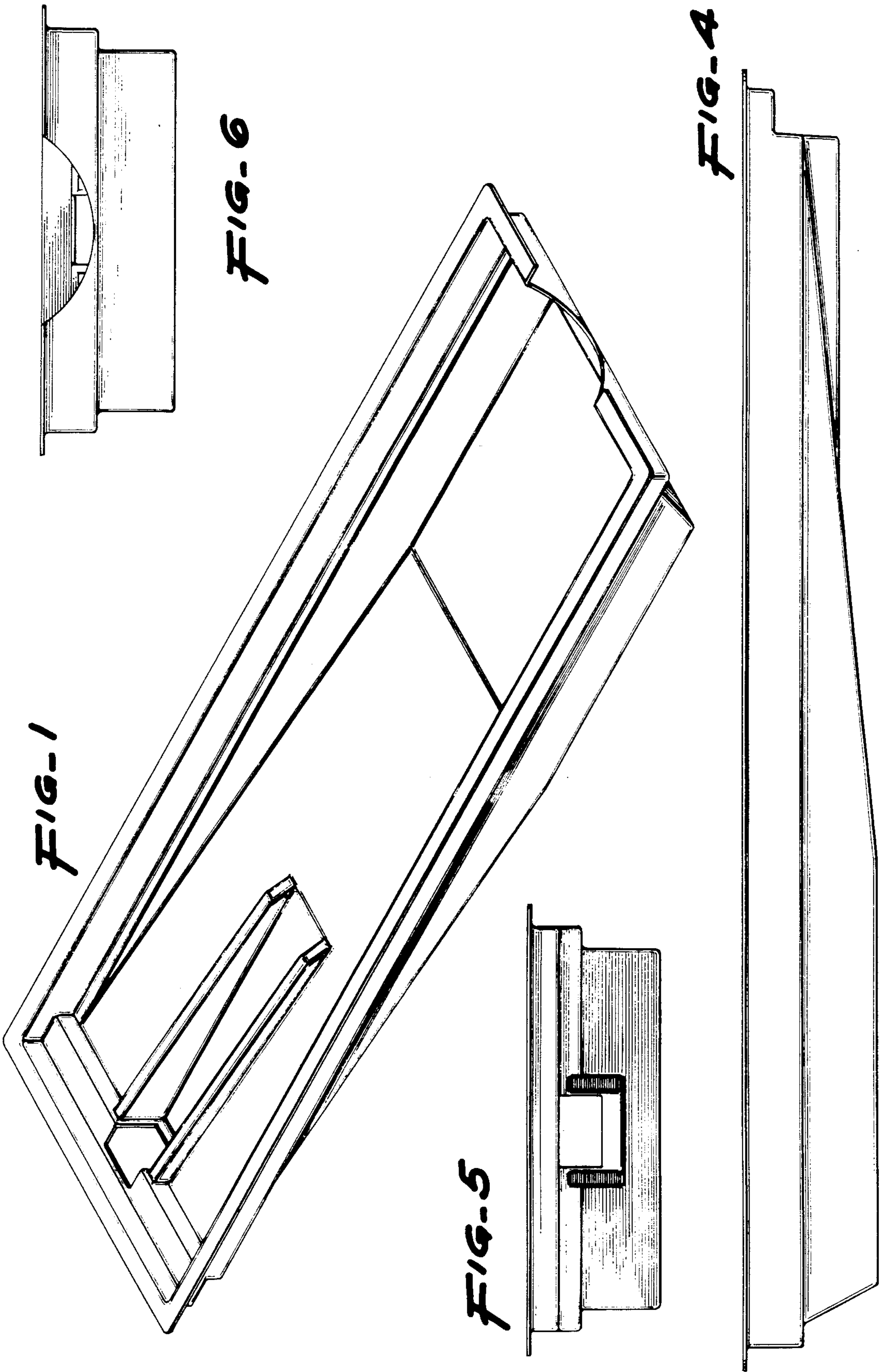


FIG-2

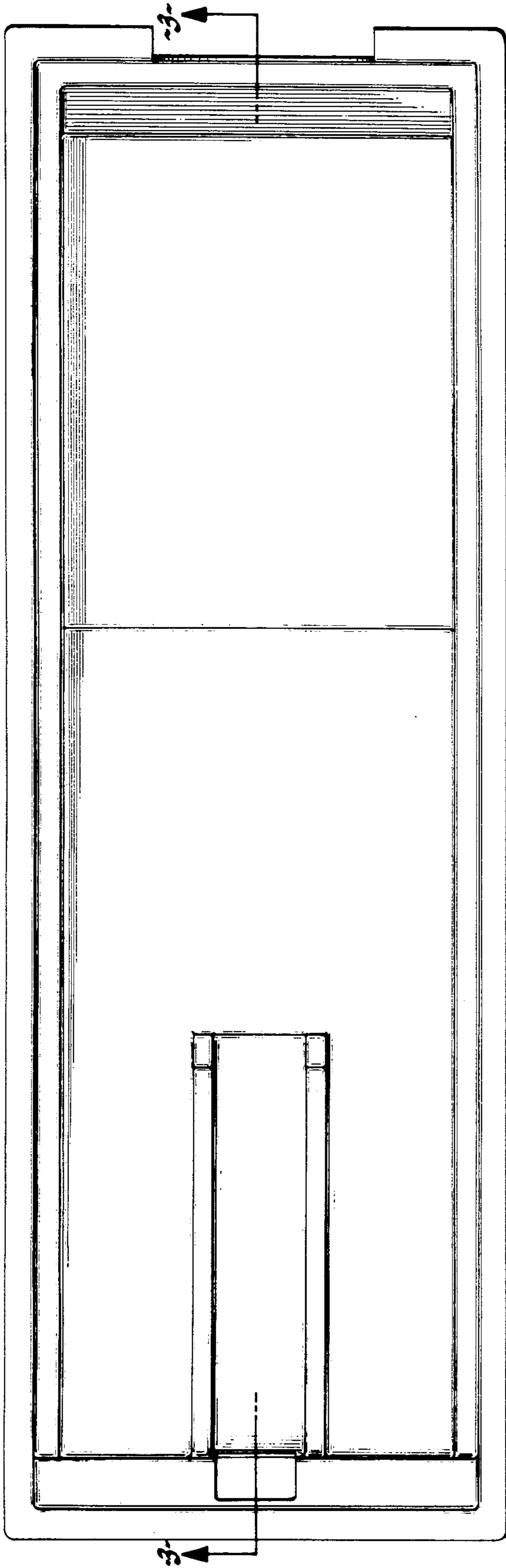


FIG-3

