

[54] GAME CART

2,992,834 7/1961 Tidwell et al. D12/24

[76] Inventor: Ratko Doyich, 15 E. San Bernardino Ave., Redlands, Calif. 92373

Primary Examiner—James M. Gandy
Attorney, Agent, or Firm—John H. Crowe

[**] Term: 7 Years

[57] CLAIM

[21] Appl. No.: 918,315

The ornamental design for a game cart, substantially as shown and described.

[22] Filed: Jun. 22, 1978

DESCRIPTION

[51] Int. Cl. D12-02

FIG. 1 is a perspective view of a game cart showing my new design;

[52] U.S. Cl. D12/21

FIG. 2 is a top plan view thereof to an enlarged scale;
FIG. 3 is a bottom plan view thereof to an enlarged scale;

[58] Field of Search D12/21, 24; 280/47.3

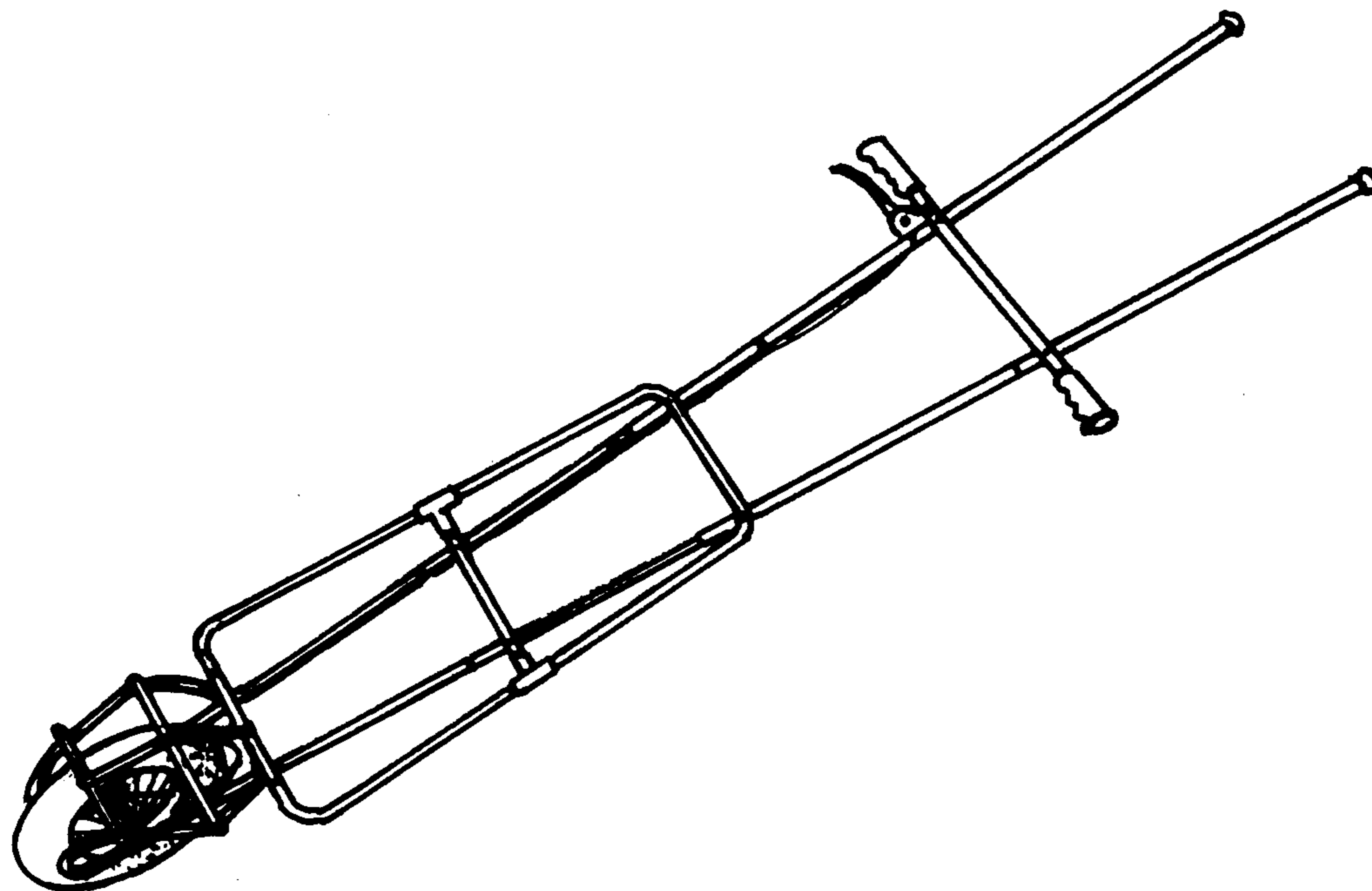
FIG. 4 is a side elevational view thereof to an enlarged scale; and

[56] References Cited

U.S. PATENT DOCUMENTS

- 2,624,588 1/1953 Jones 280/47.3
- 2,629,608 2/1953 Jones 280/47.3

FIG. 5 is a side elevational view thereof to an enlarged scale opposite to that shown in FIG. 4.



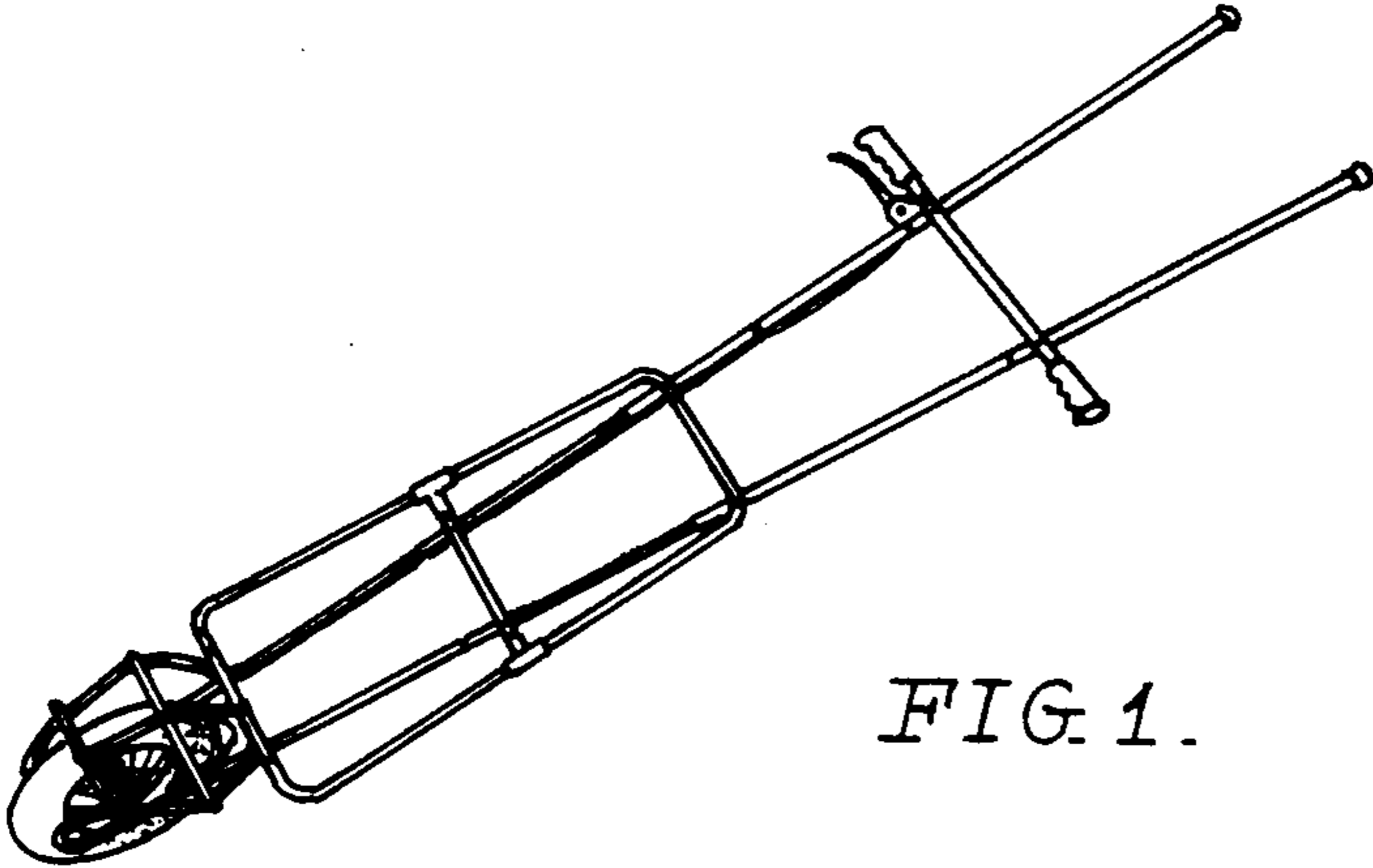


FIG. 1.

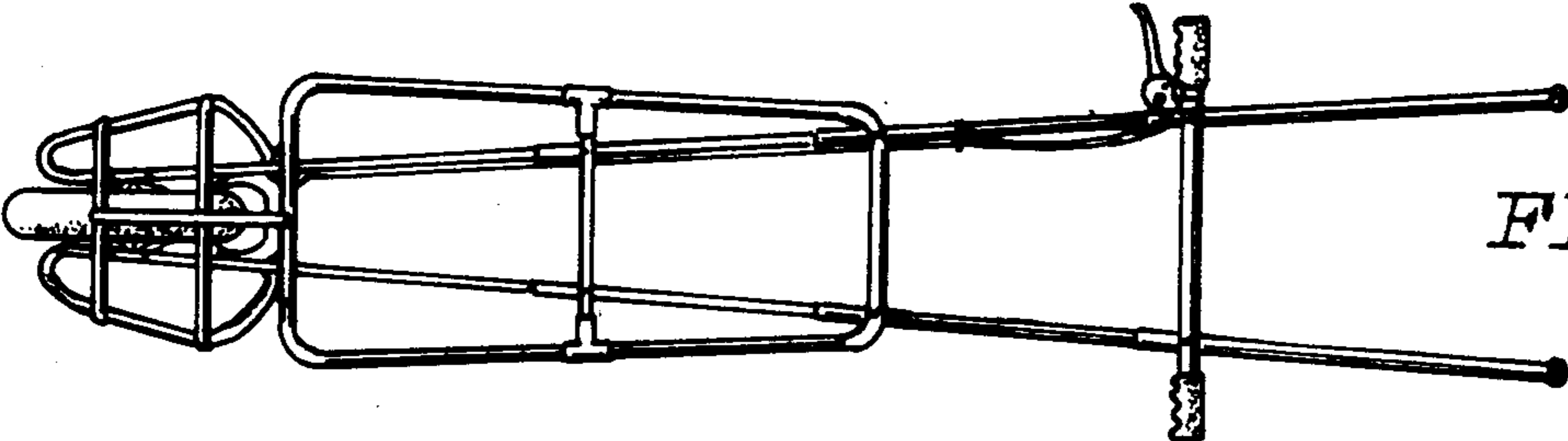


FIG. 2.

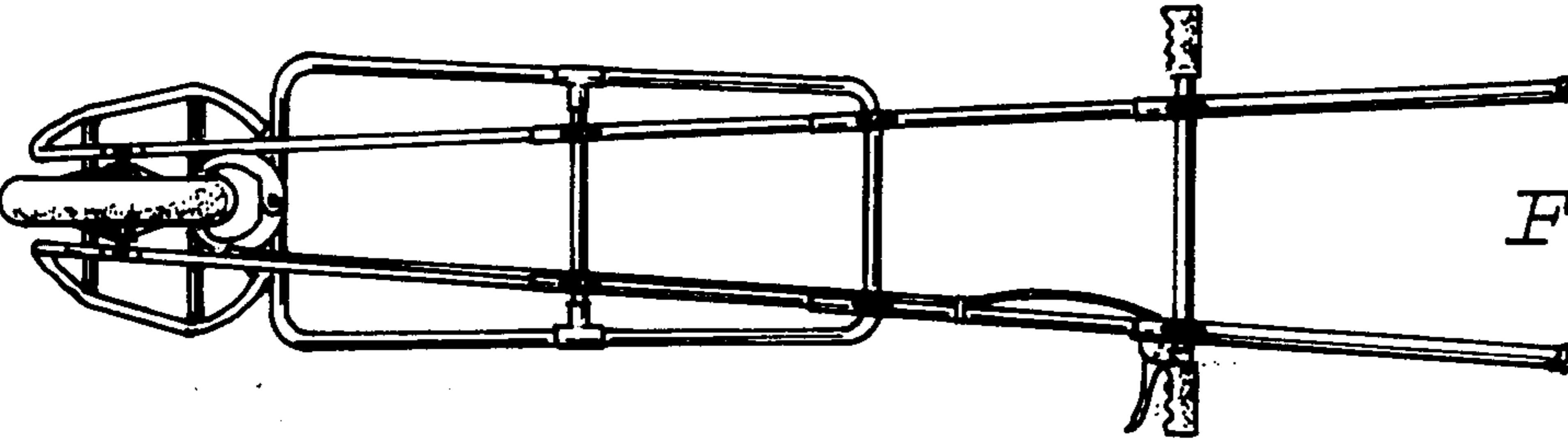


FIG. 3.

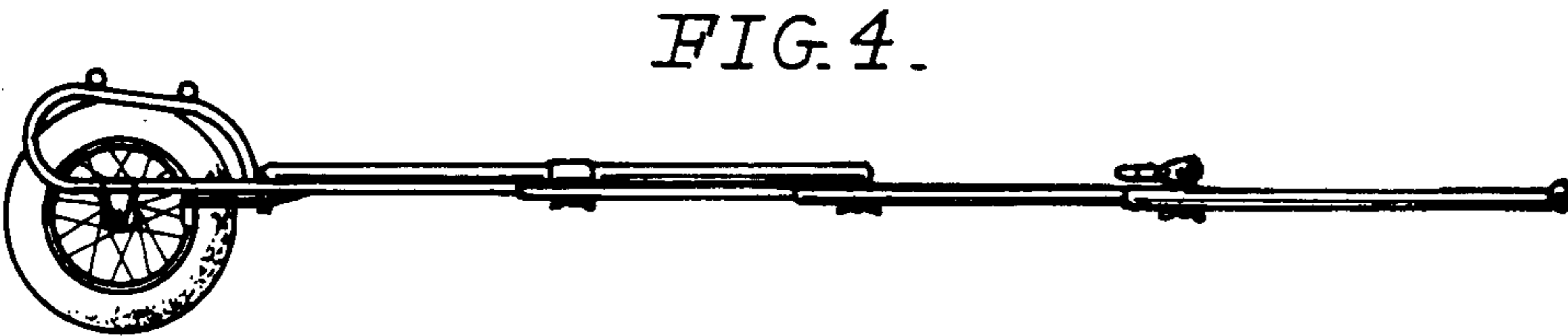


FIG. 4.

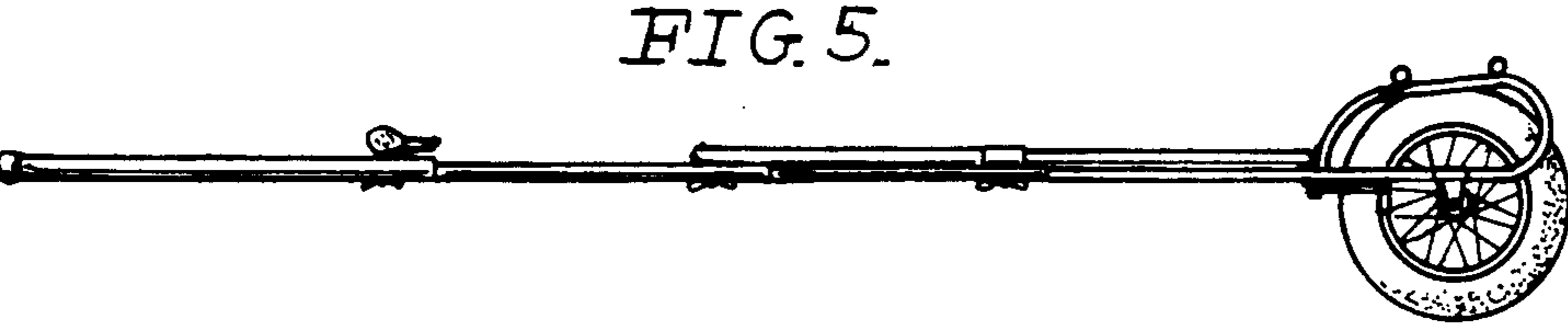


FIG. 5.