

[54] PACKAGING CONTAINER FOR A DENTAL INSTRUMENT

2,897,962	8/1959	Zackheim .....	206/369
3,338,400	8/1967	Edgworth et al. ....	D9/192 X
3,952,870	4/1976	Garnier .....	206/369
4,165,805	8/1979	Fethke et al. ....	206/349

[76] Inventor: Sigmund A. Neuwirth, 30 St. George's Rd., Golders Green, London NW11 OLR, England

Primary Examiner—Robert C. Spangler  
Attorney, Agent, or Firm—Bernard Malina

[\*\*] Term: 14 Years

[57] CLAIM

[21] Appl. No.: 969,731

The ornamental design for a packaging container for a dental instrument, substantially as shown.

[22] Filed: Dec. 15, 1978

DESCRIPTION

[51] Int. Cl. .... D9-03  
 [52] U.S. Cl. .... D9/425  
 [58] Field of Search ..... 150/34; 206/45.31, 45.33, 206/349, 368, 369; D9/185, 191, 192, 223, 249, 250

FIG. 1 is a front plan view of a packaging container for a dental instrument embodying my new design;  
 FIG. 2 is a side elevational view thereof;  
 FIG. 3 is a top elevational view thereof, the bottom elevational view being identical;  
 FIG. 4 is section view taken along the line 4-4 in FIG. 1,  
 FIG. 5 is a section view taken along the line 5-5 in FIG. 1, and  
 FIG. 6 is a rear plan view thereof on a reduced scale.

[56] References Cited  
U.S. PATENT DOCUMENTS

D. 197,145	12/1963	Sanders .....	D9/223 X
2,248,578	7/1941	Moore .....	D9/250 X

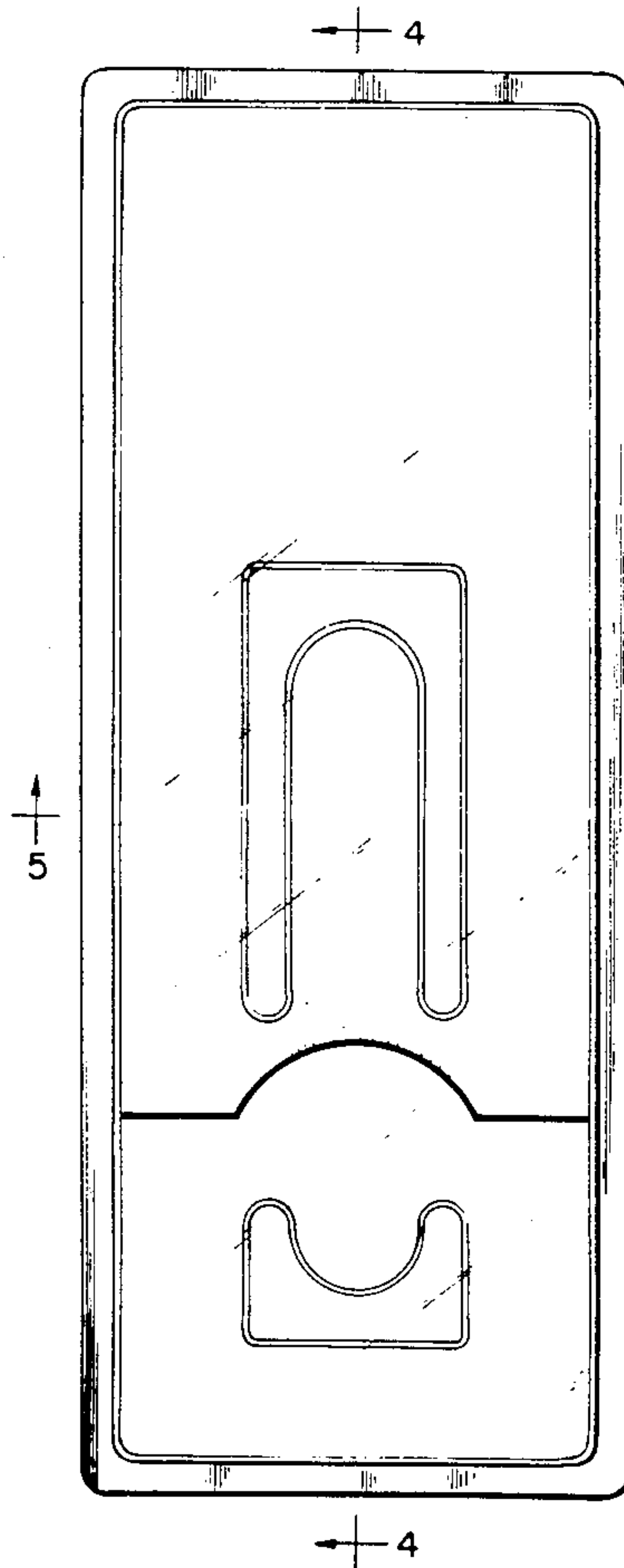


FIG. 1 ← 4

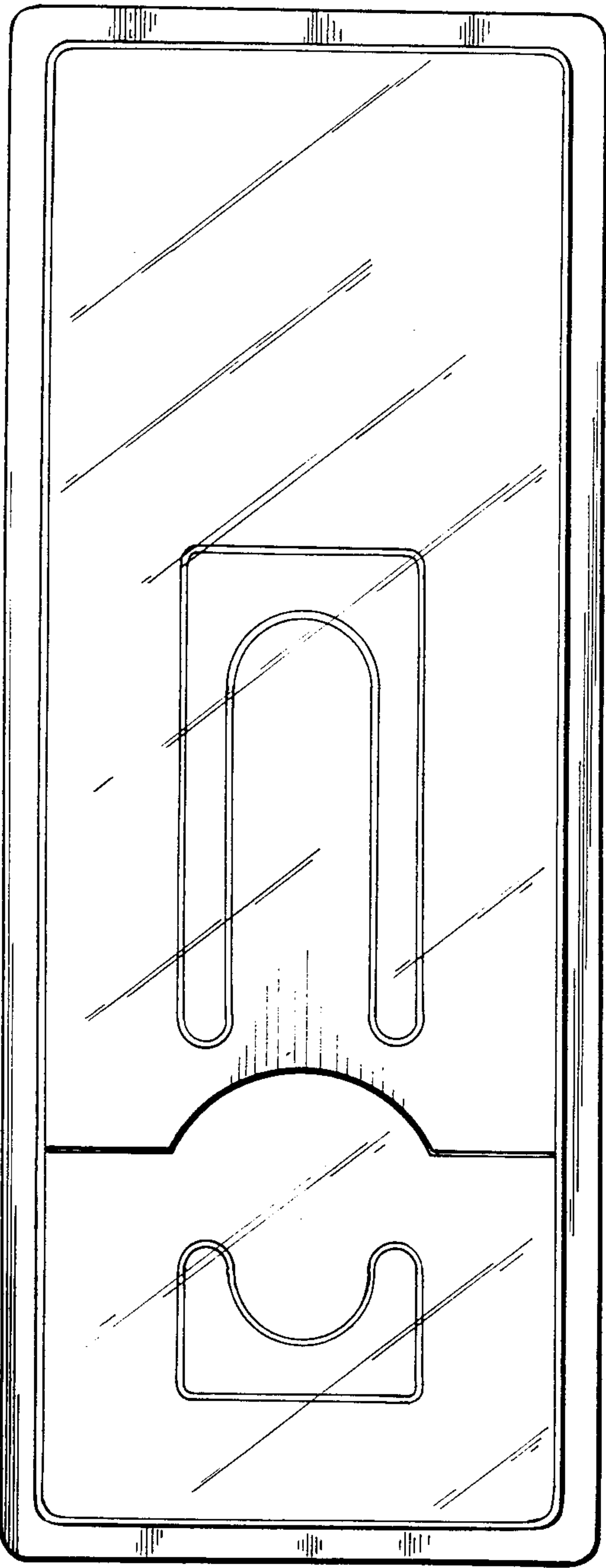


FIG. 2

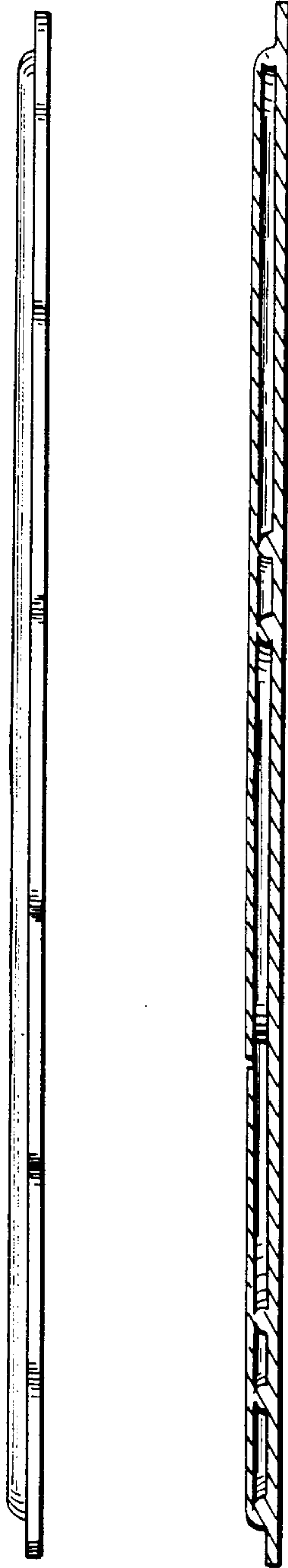


FIG. 4

FIG. 6

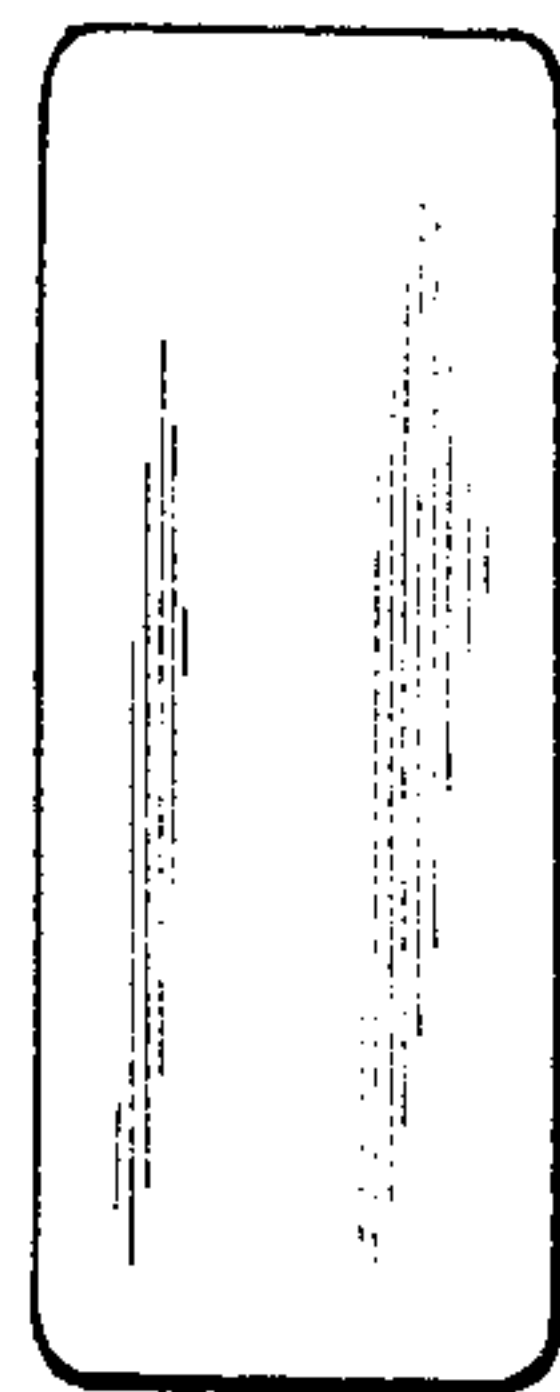


FIG. 3

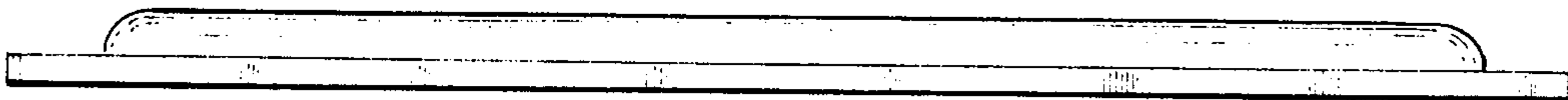


FIG. 5

