

[54] HUTCH

[75] Inventor: Roger W. Wollin, Lake Mills, Wis.

[73] Assignee: Fiberdome Incorporated, Lake Mills, Wis.

[**] Term: 14 Years

[21] Appl. No.: 939,910

[22] Filed: Sep. 5, 1978

[51] Int. Cl. D30-02

[52] U.S. Cl. D25/18

[58] Field of Search D25/1, 4, 16, 18, 19, D25/36, 56; D30/1, 2; 220/4 C, 4 E, 4 B, 18; D15/148, 149; 52/79.1, 79.7, 80, 81, 82; D9/240, 242, 246; 119/15, 16, 19, 20, 27

[56] References Cited

U.S. PATENT DOCUMENTS

D. 245,190 7/1977 Higo D30/1
D. 252,179 6/1979 Cherry D9/240 X

4,160,340 7/1979 Levett 52/82 X

FOREIGN PATENT DOCUMENTS

41712 10/1965 German Democratic Rep. D25/4

Primary Examiner—A. Hugo Word

Attorney, Agent, or Firm—James E. Nilles

[57] CLAIM

The ornamental design for a hutch, substantially as shown.

DESCRIPTION

FIG. 1 is a perspective view of a hutch embodying the design, the view being taken generally from the front right upper corner thereof;

FIG. 2 is a front elevational view thereof;

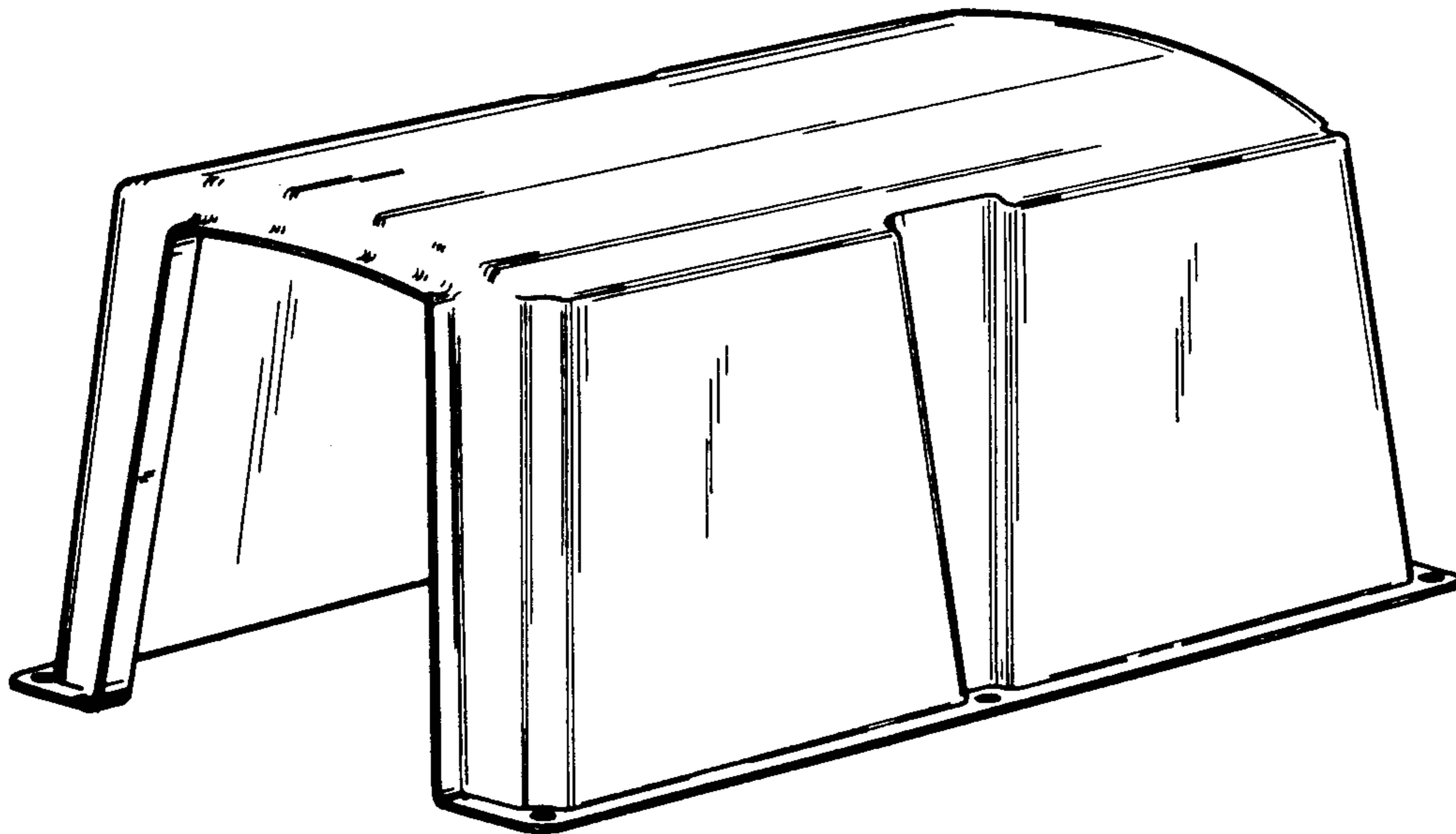
FIG. 3 is a right side elevational view thereof;

FIG. 4 is a left side elevational view thereof;

FIG. 5 is a rear elevational view thereof;

FIG. 6 is a top view thereof; and

FIG. 7 is a bottom view thereof.



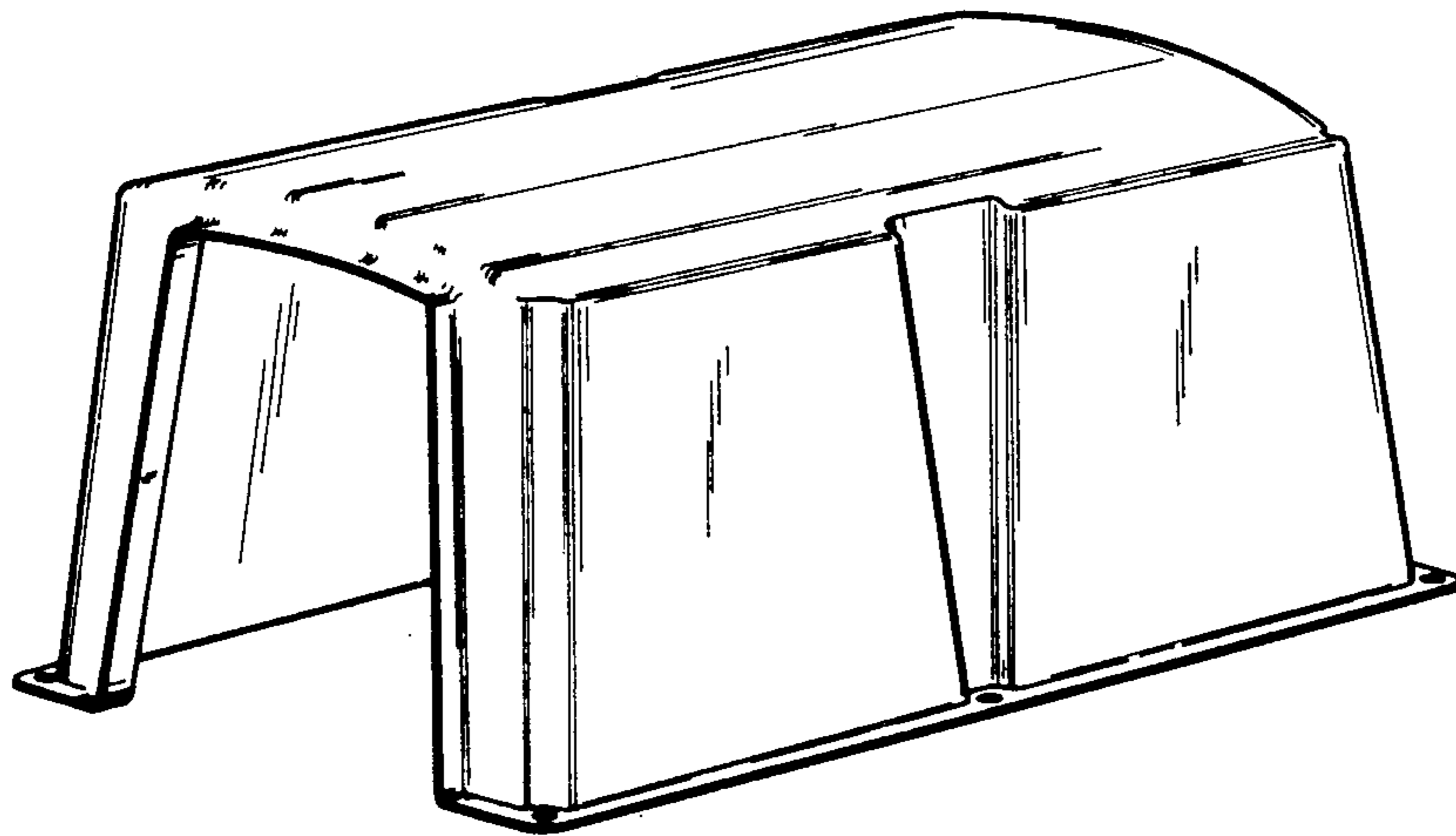


FIG. 1

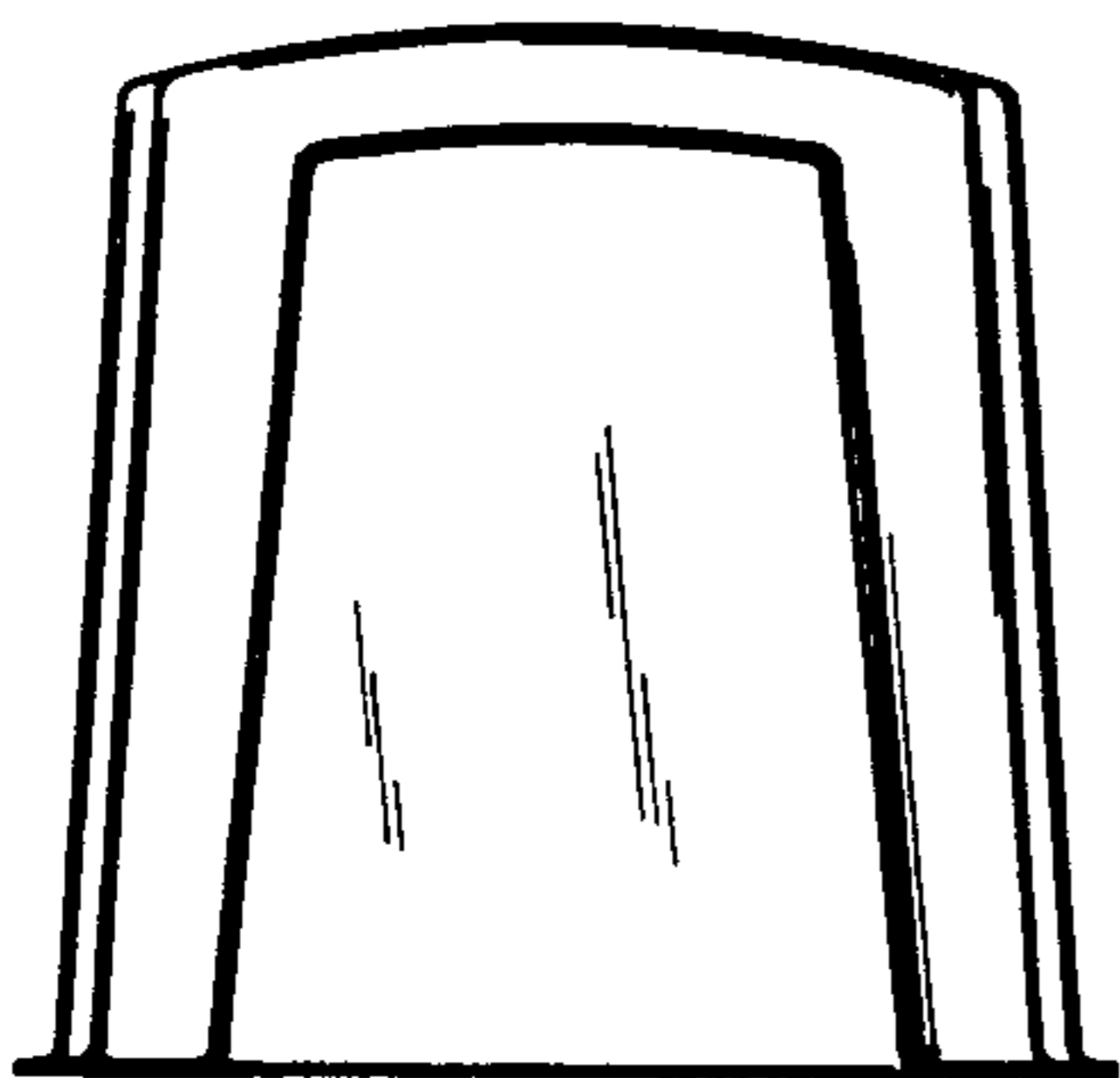


FIG. 2

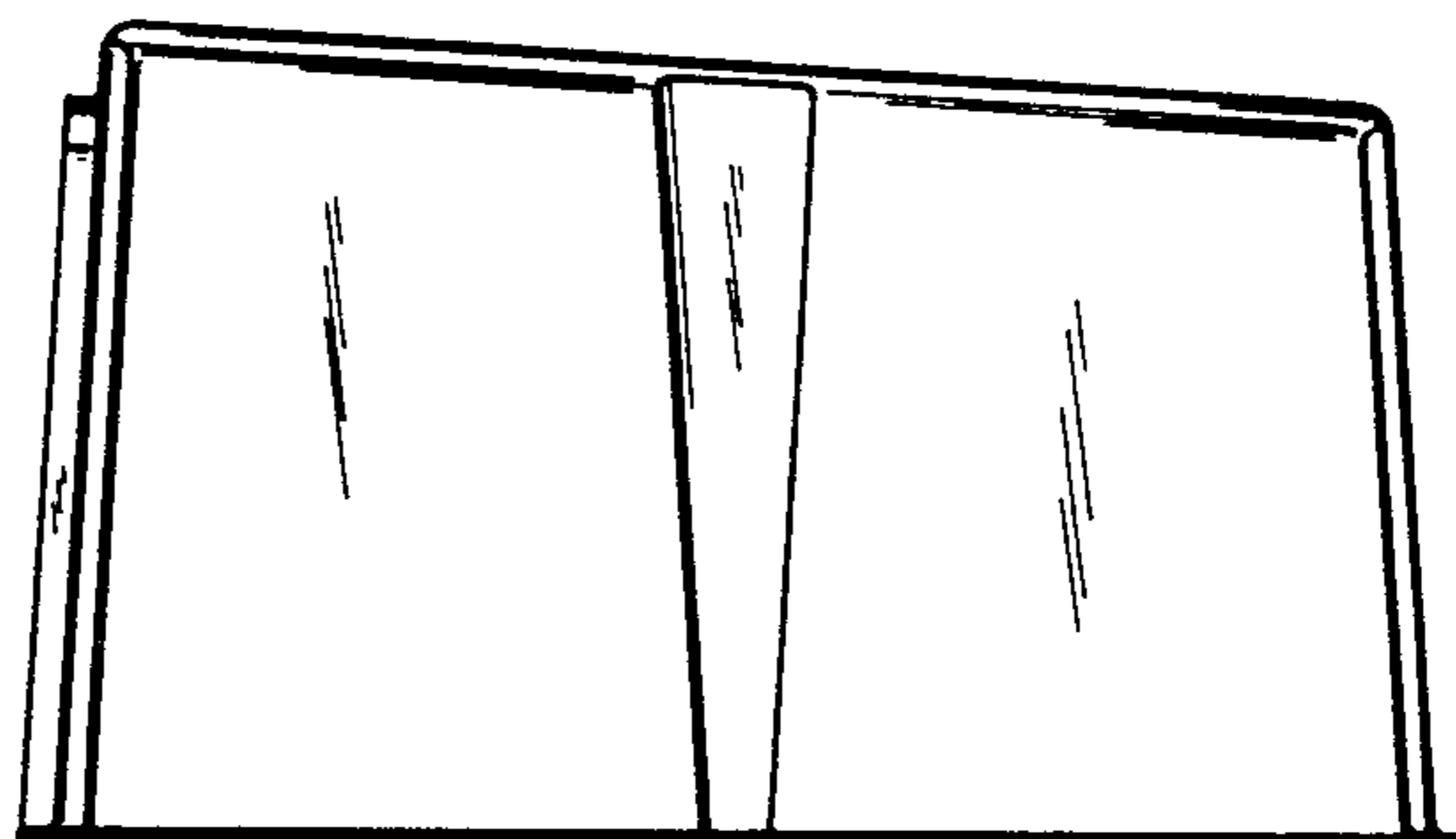


FIG. 3

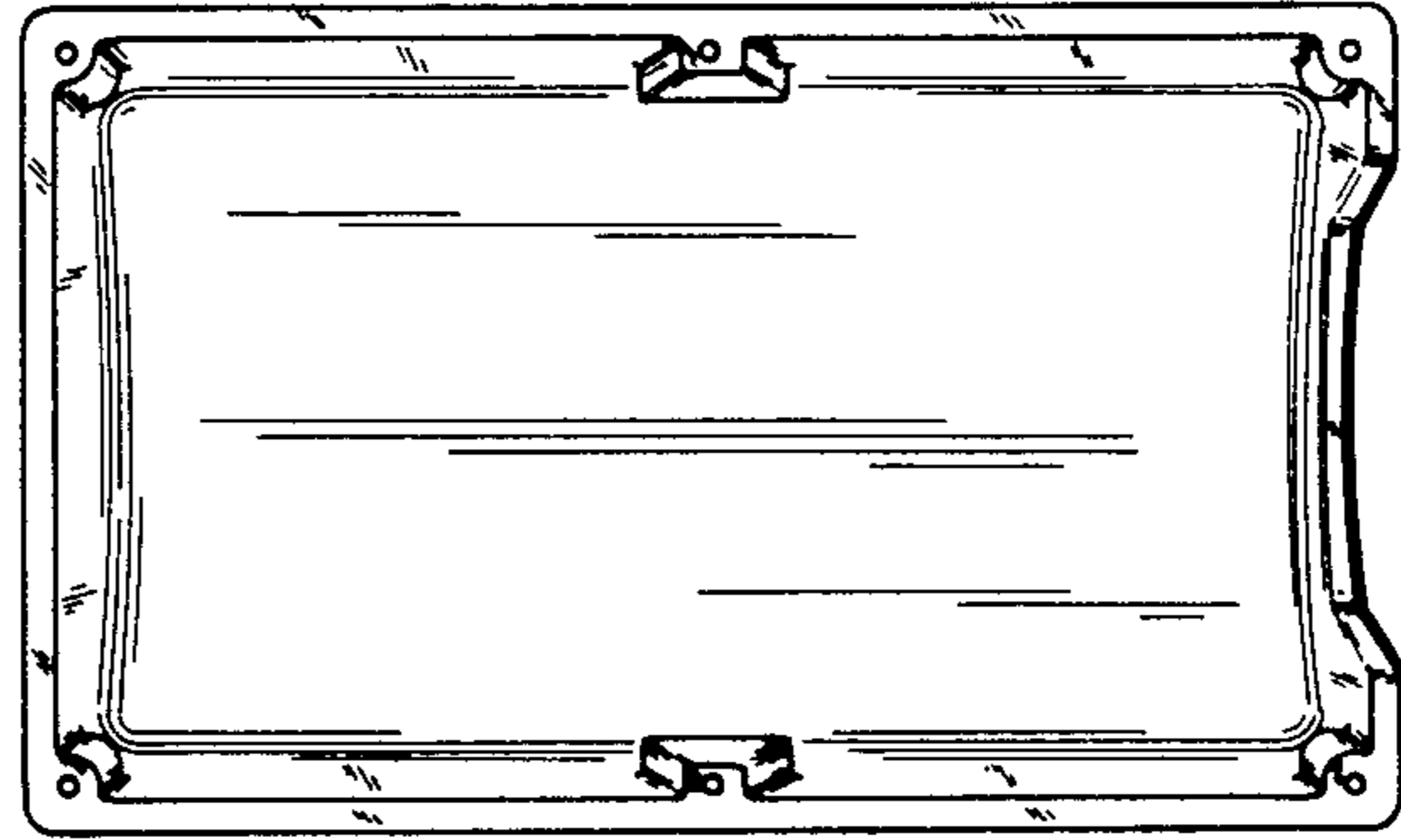


FIG. 6

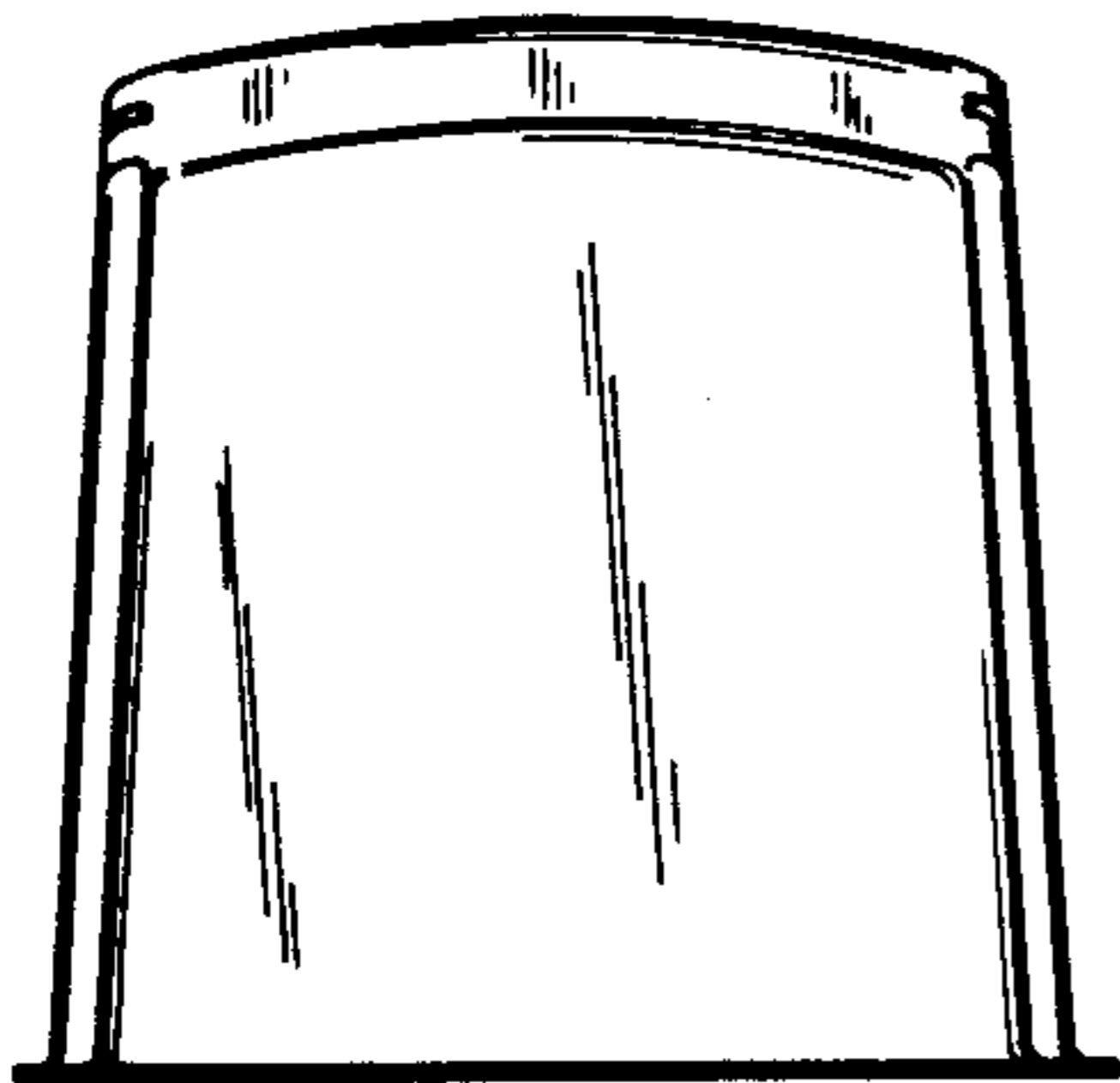


FIG. 5

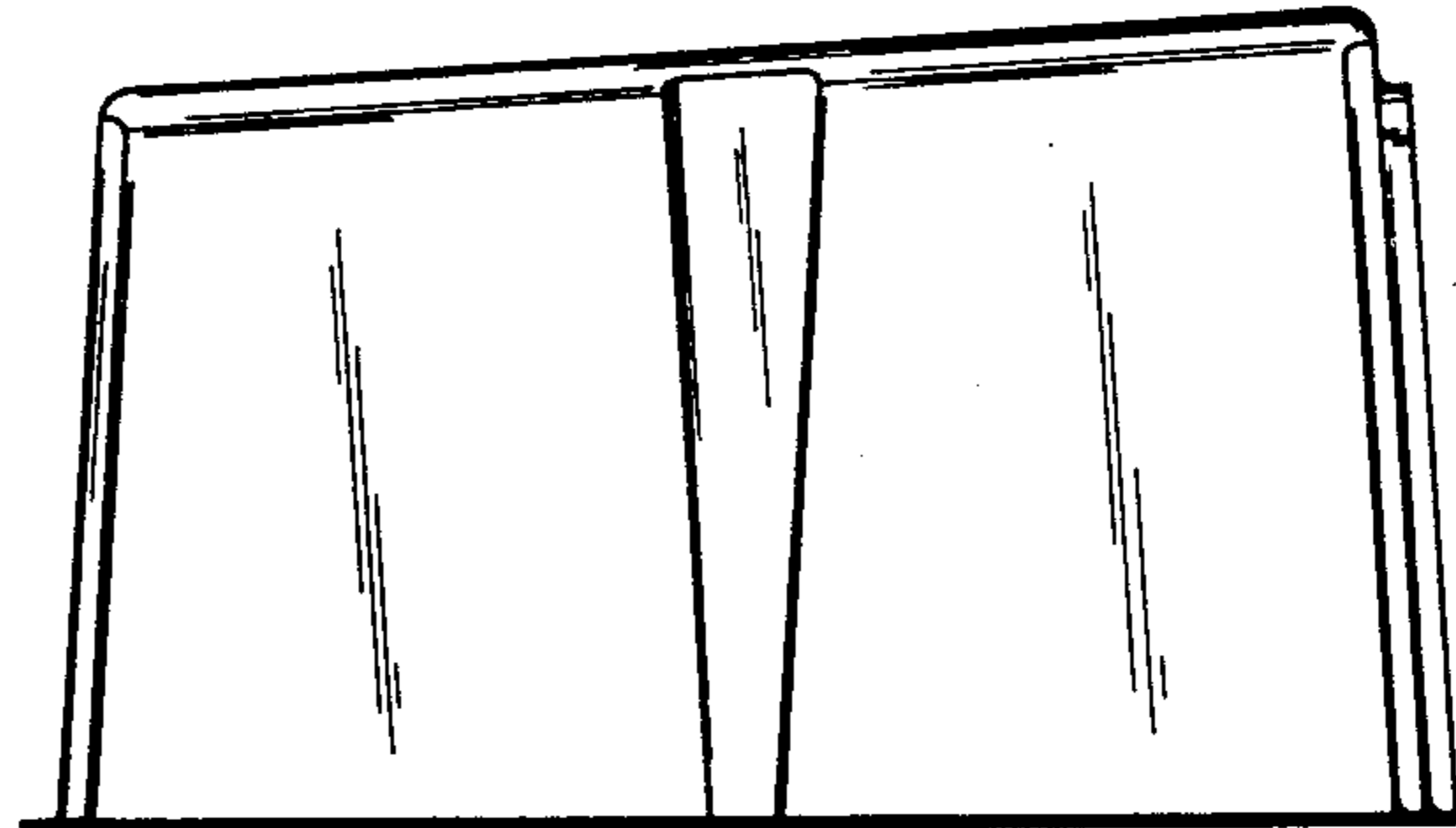


FIG. 4

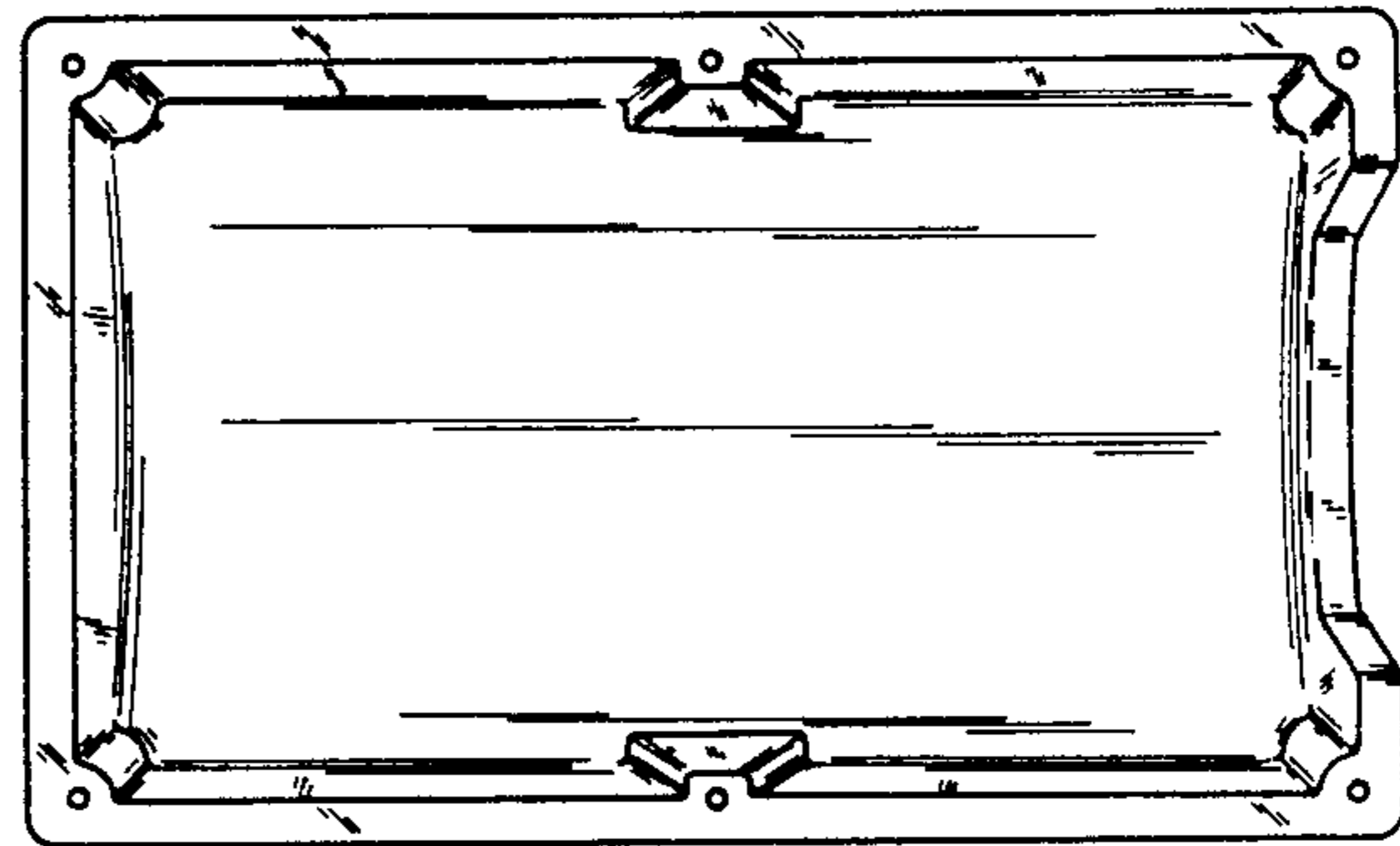


FIG. 7