

[54] **PLUNGER OPERATED PIPETTE**

[75] Inventor: **Billy H. Peacock**, Hollywood, Fla.

[73] Assignee: **Disposable Plastics Corporation**,  
Hallandale, Fla.

[\*\*] Term: **14 Years**

[21] Appl. No.: **902,322**

[22] Filed: **May 3, 1978**

[51] Int. Cl. .... **D24-04**

[52] U.S. Cl. .... **D24/55**

[58] Field of Search ..... 73/425.4, 425.6;  
128/232, 233; D24/55

[56]

**References Cited**

**U.S. PATENT DOCUMENTS**

2,172,575	9/1939	Caulfield .....	73/425.6
2,533,726	12/1950	Floyd' .....	73/425.6

*Primary Examiner*—Sam Rosen

*Attorney, Agent, or Firm*—David E. Brook

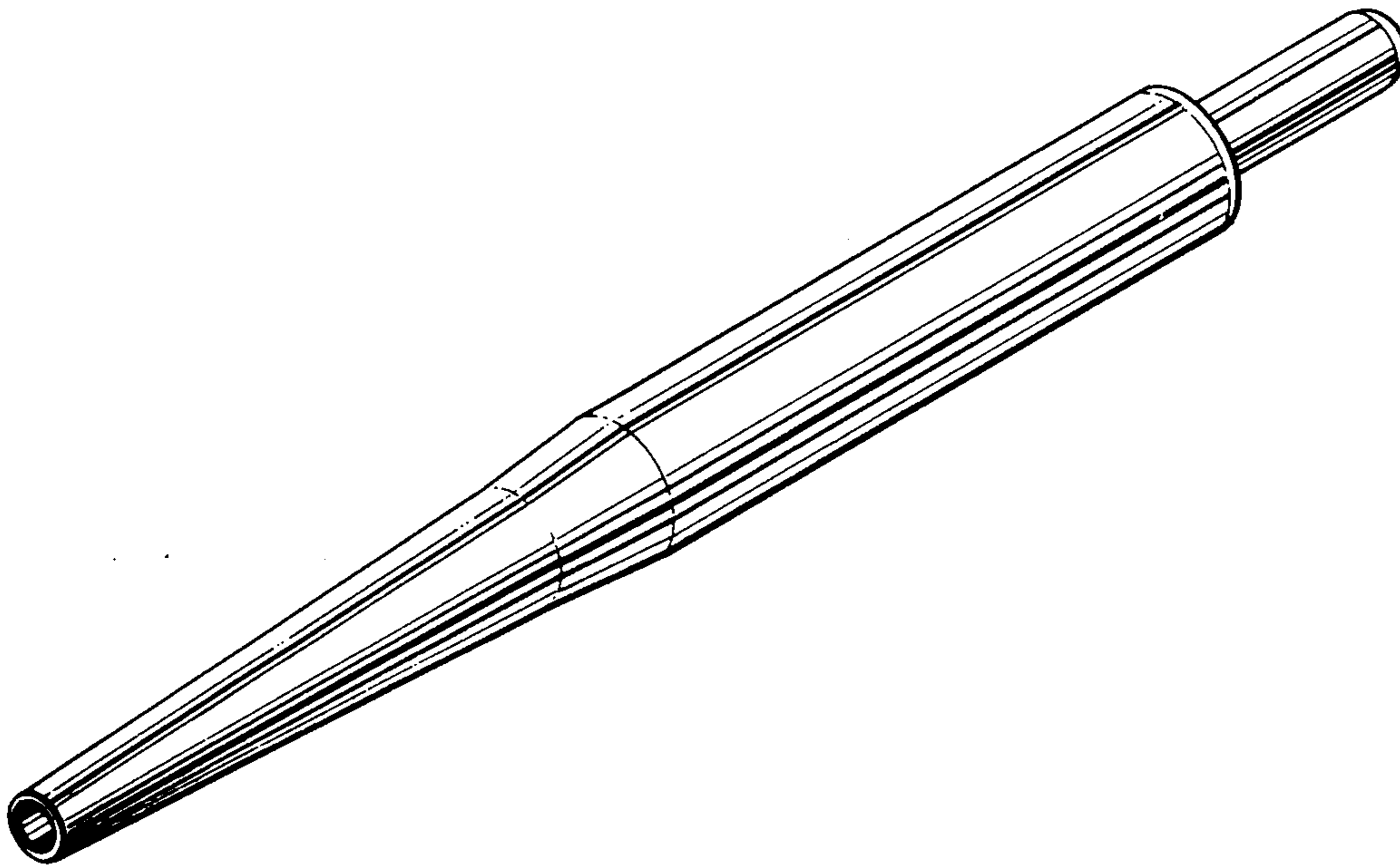
[57]

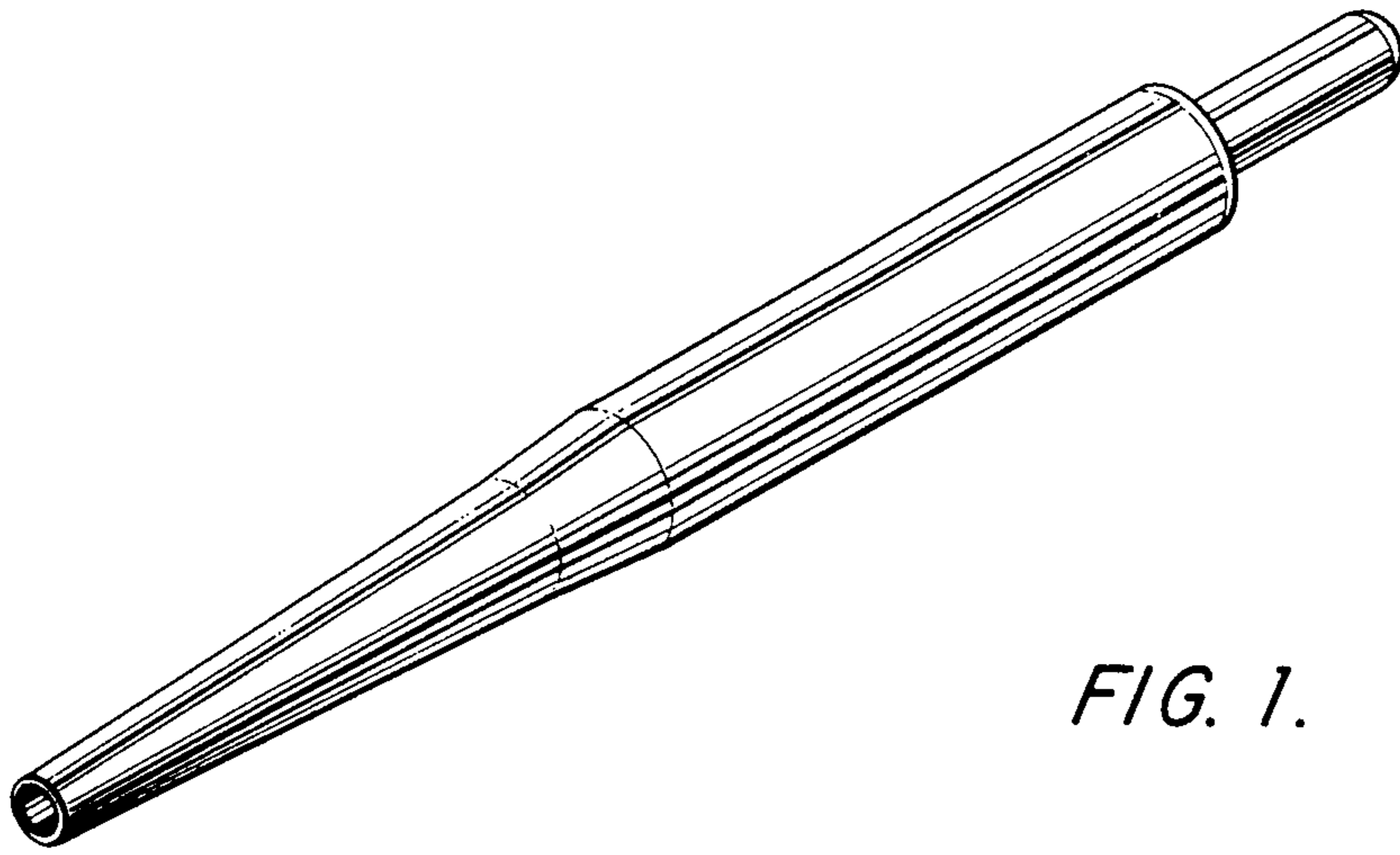
**CLAIM**

The ornamental design for a plunger operated pipette,  
as shown.

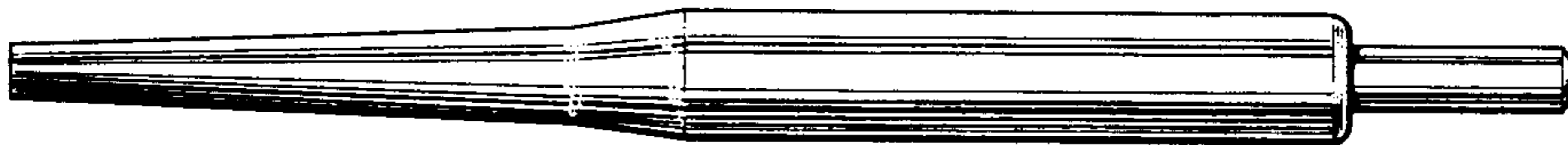
**DESCRIPTION**

FIG. 1 is a perspective view of a plunger operated  
pipette showing my new design;  
FIG. 2 is a side elevational view thereof;  
FIG. 3 is a left end elevational view thereof; and  
FIG. 4 is a right end elevational view thereof.





*FIG. 1.*



*FIG. 2.*



*FIG. 3.*



*FIG. 4.*