

[54] LIQUID LEVEL CONTROL VALVE

[76] Inventors: Kent L. Kottmeier, 1068 Alden La., Buffalo Grove, Ill. 60090; Anthony M. Kottmeier, 567 Sandpebble Dr., Schaumburg, Ill. 60193

[**] Term: 14 Years

[21] Appl. No.: 869,179

[22] Filed: Jan. 13, 1978

[51] Int. Cl. D23-01

[52] U.S. Cl. D23/19

[58] Field of Search D23/19-41; 137/426; 261/70, 92

[56] References Cited

U.S. PATENT DOCUMENTS

3,004,748 10/1961 Sprouse et al. 137/426 X
3,456,927 7/1969 Martin et al. 261/92 X

OTHER PUBLICATIONS

Sear, Roebuck & Co. Brochure on Model 303,9303 Super 15 Furnace Humidifier (C) 1967, pp. 8 & 11.

Primary Examiner—James R. Largen
Attorney, Agent, or Firm—William E. Anderson

[57] CLAIM

The ornamental design for a liquid level control valve, as shown and described.

DESCRIPTION

FIG. 1 is a perspective from above of a liquid level control valve showing our new design.

FIG. 2 is a side view thereto.

FIG. 3 is a rear view thereto.

FIG. 4 is a front view thereto.

FIG. 5 is a bottom view thereto.

FIG. 6 is a top plan view thereto.

The broken line representation of a connector pin in FIGS. 1 through 6 is for purposes of illustration only.

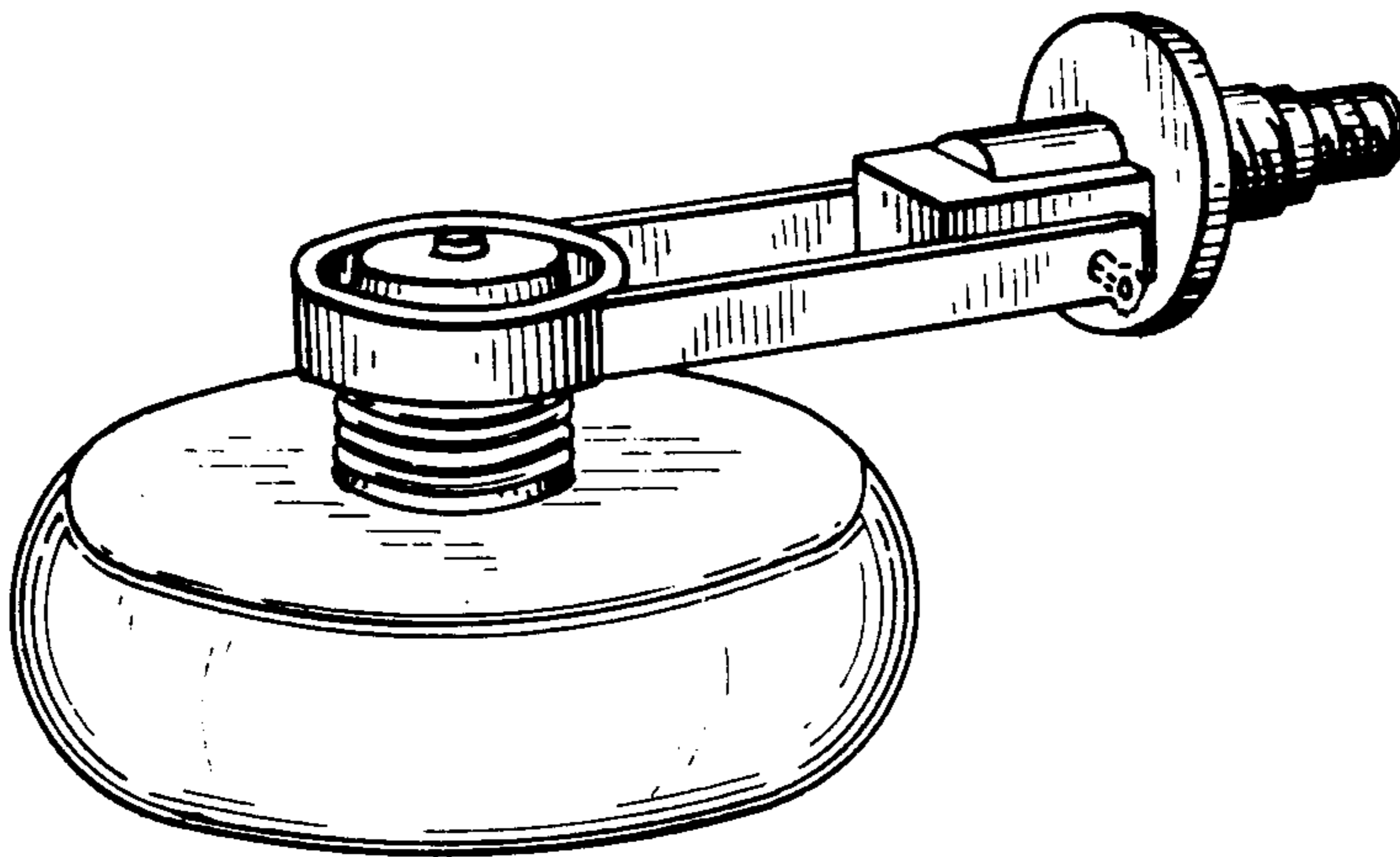


Fig. 1.

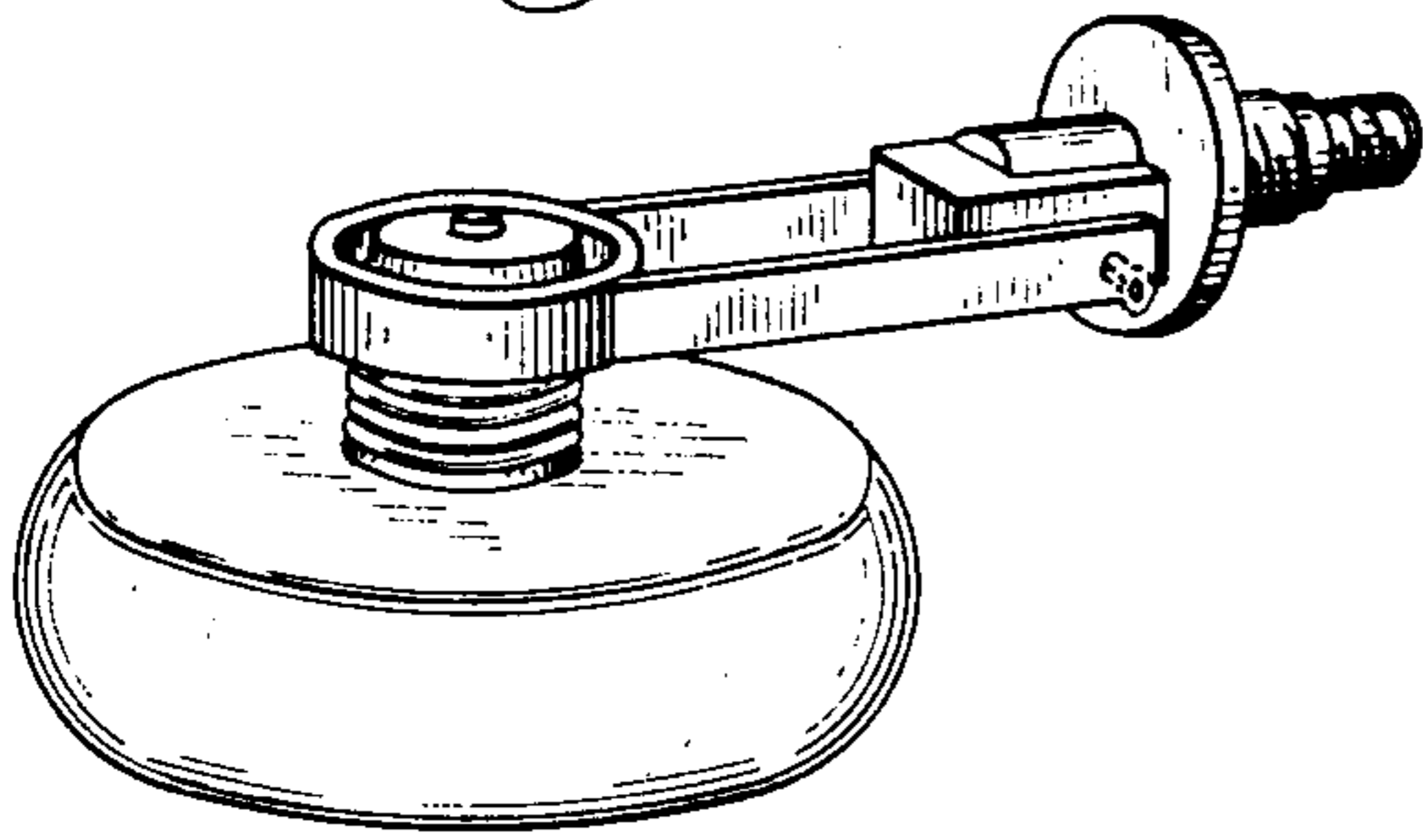


Fig. 3.

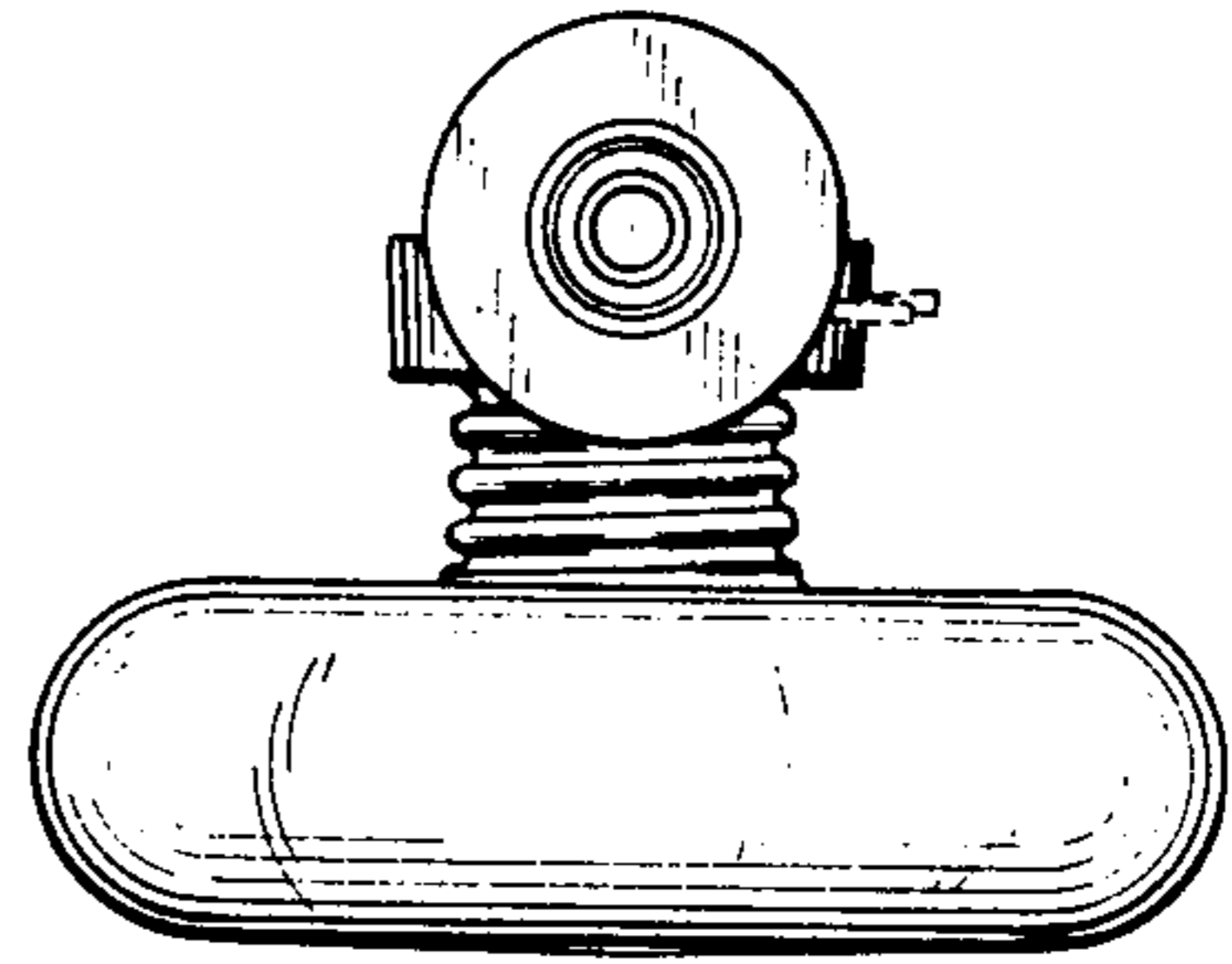


Fig. 2.

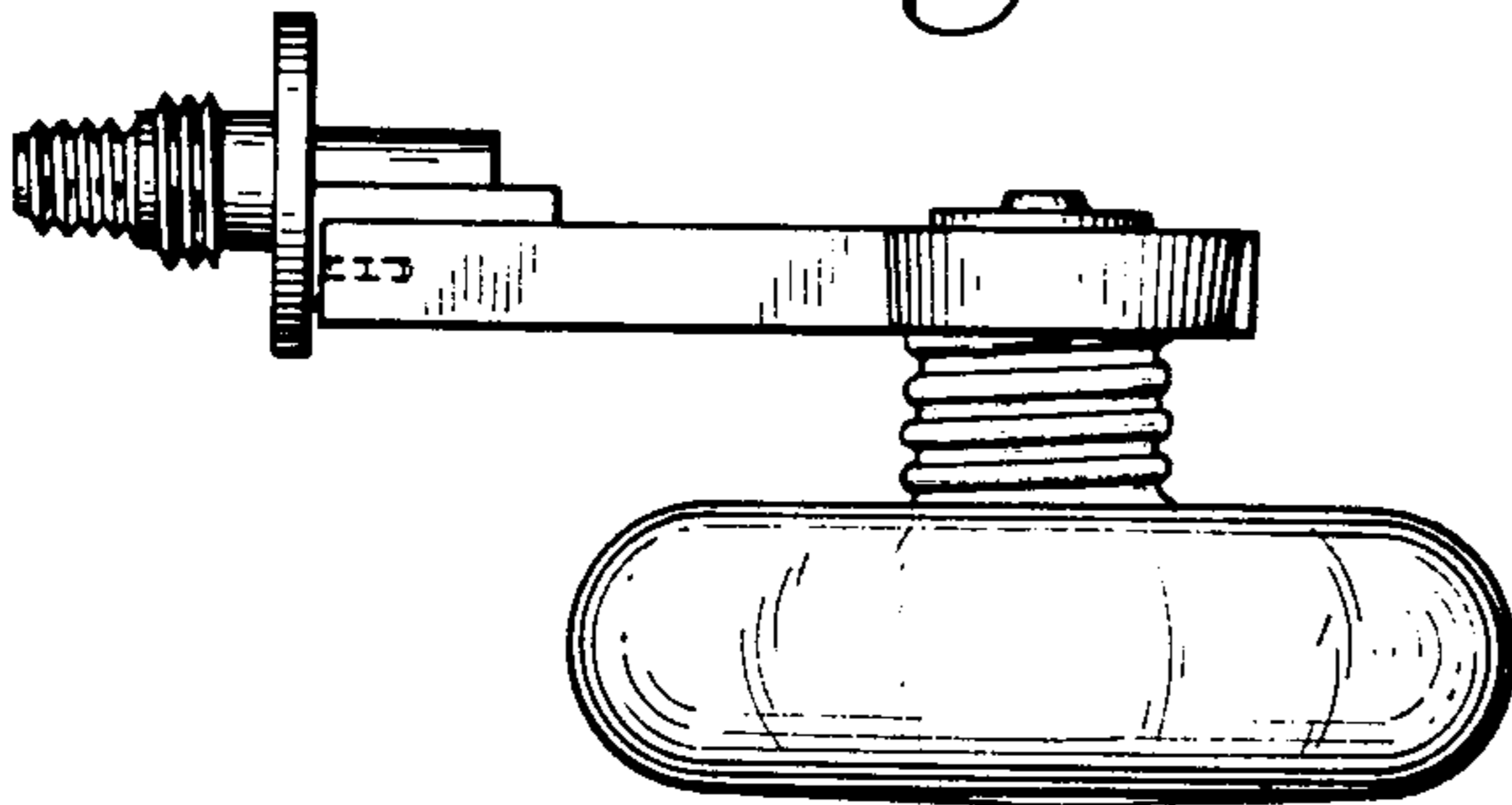


Fig. 4.

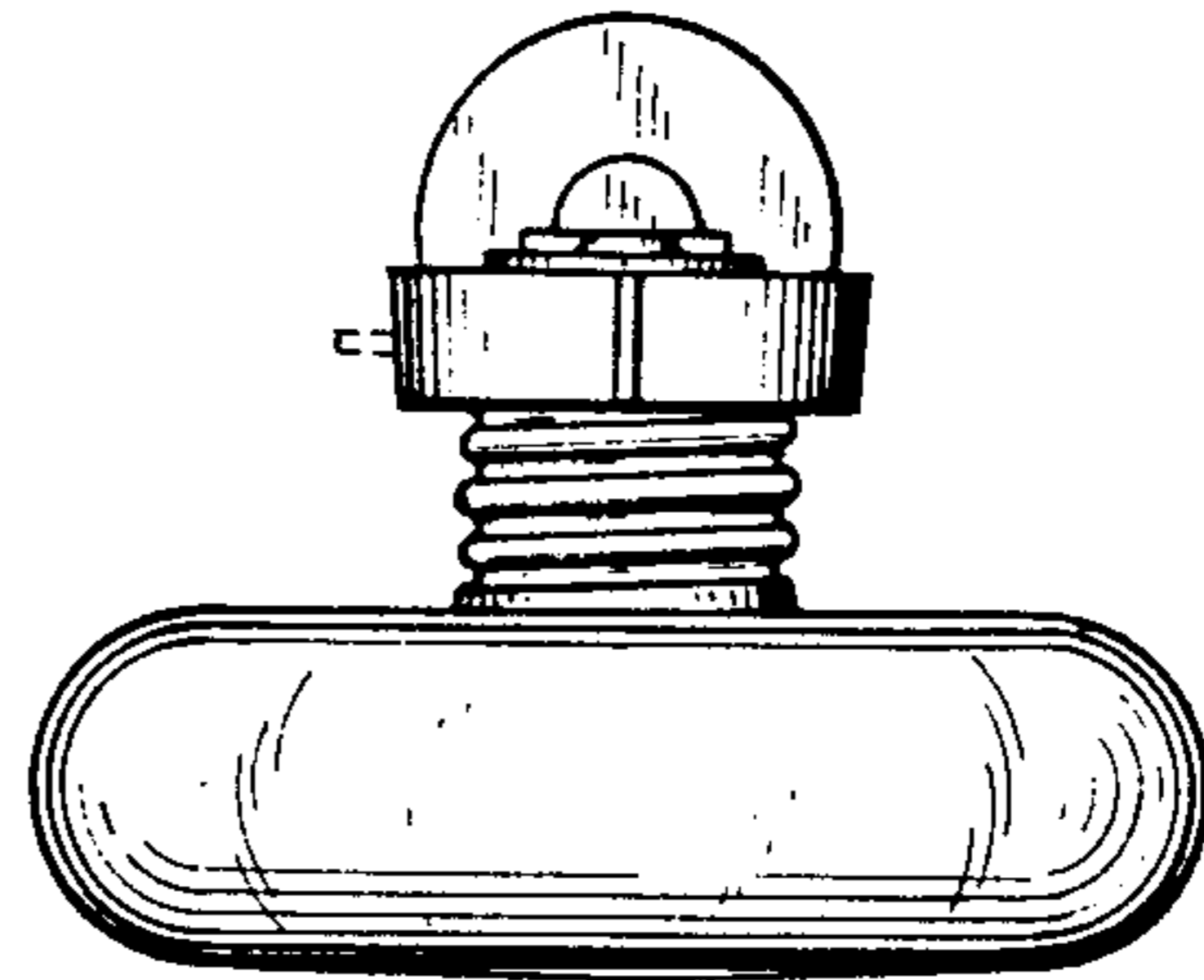


Fig. 5.

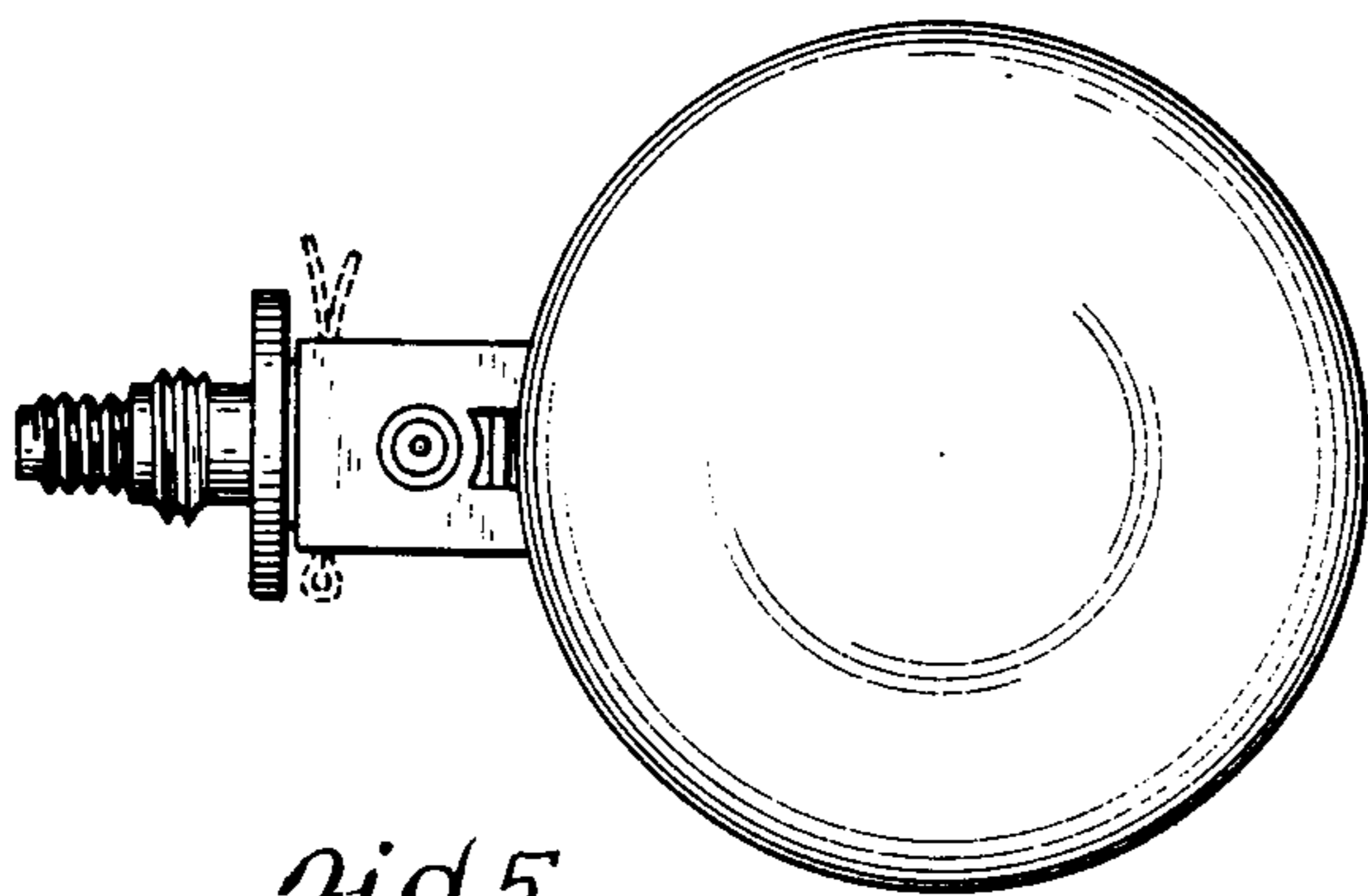


Fig. 6.

