

[54] IDENTIFICATION LABEL

[76] Inventor: Drew R. Smith, 1128 E. Elm, Fullerton, Calif. 90064

[**] Term: 14 Years

[21] Appl. No.: 865,744

[22] Filed: Dec. 29, 1977

[51] Int. Cl. D20-03

[52] U.S. Cl. D20/27

[58] Field of Search D20/22, 27; D19/9, 10; 40/21 R, 21 C; D9/252; 24/16 R, 16 PB, 17 R, 17 A

[56] References Cited

U.S. PATENT DOCUMENTS

- D. 241,519 9/1976 Mathews D9/252
- D. 251,121 2/1979 Smith D19/10

- 3,106,028 10/1963 Baumgartner 40/21 C
- 3,279,107 10/1966 Baumgartner 40/21 C
- 3,605,199 9/1971 Eberhardt 24/16 PB
- 3,875,618 4/1975 Schuplin D9/252

Primary Examiner—George P. Word
Attorney, Agent, or Firm—James E. Brunton

[57] CLAIM

The ornamental design for an identification label, as shown and described.

DESCRIPTION

FIG. 1 is a perspective view of an identification label showing my new design, a portion of the strap being broken away and omitted for convenience of illustration;

FIG. 2 is a front elevational view thereof;

FIG. 3 is a right end elevational view thereof;

FIG. 4 is a bottom plan view thereof; and

FIG. 5 is a rear elevational view thereof.

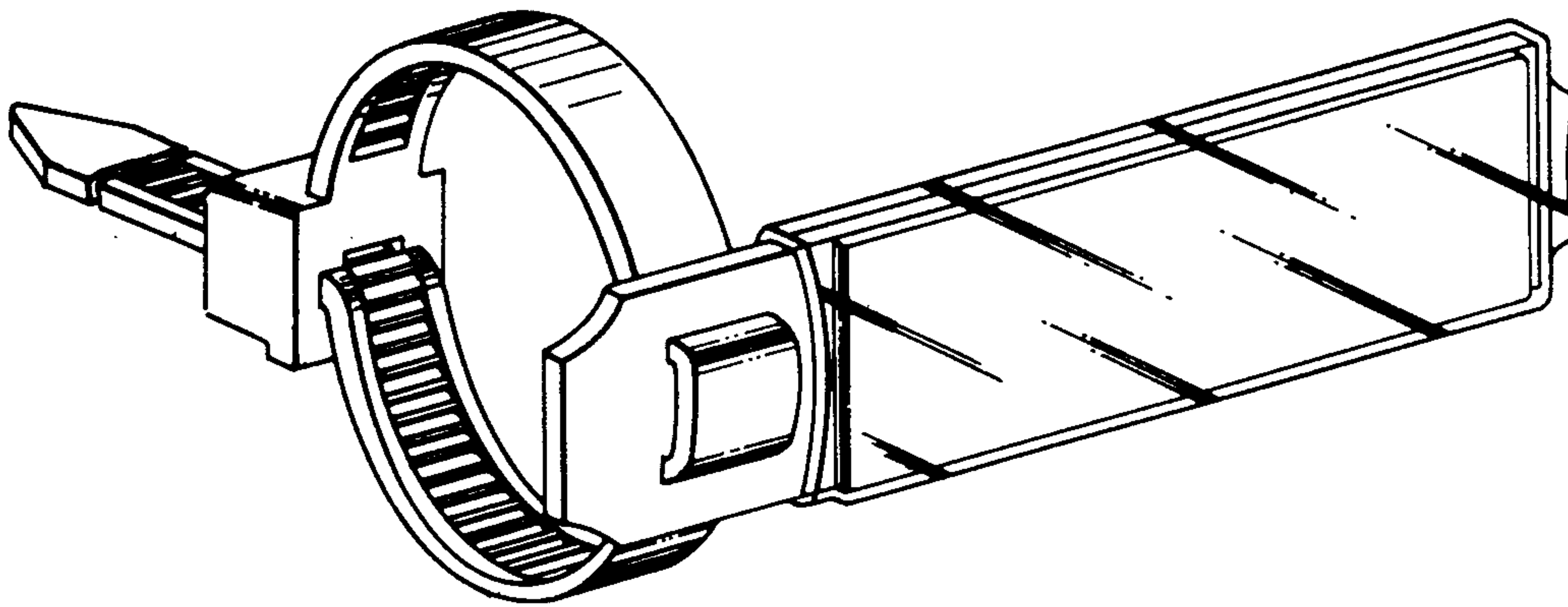


FIG. 1.

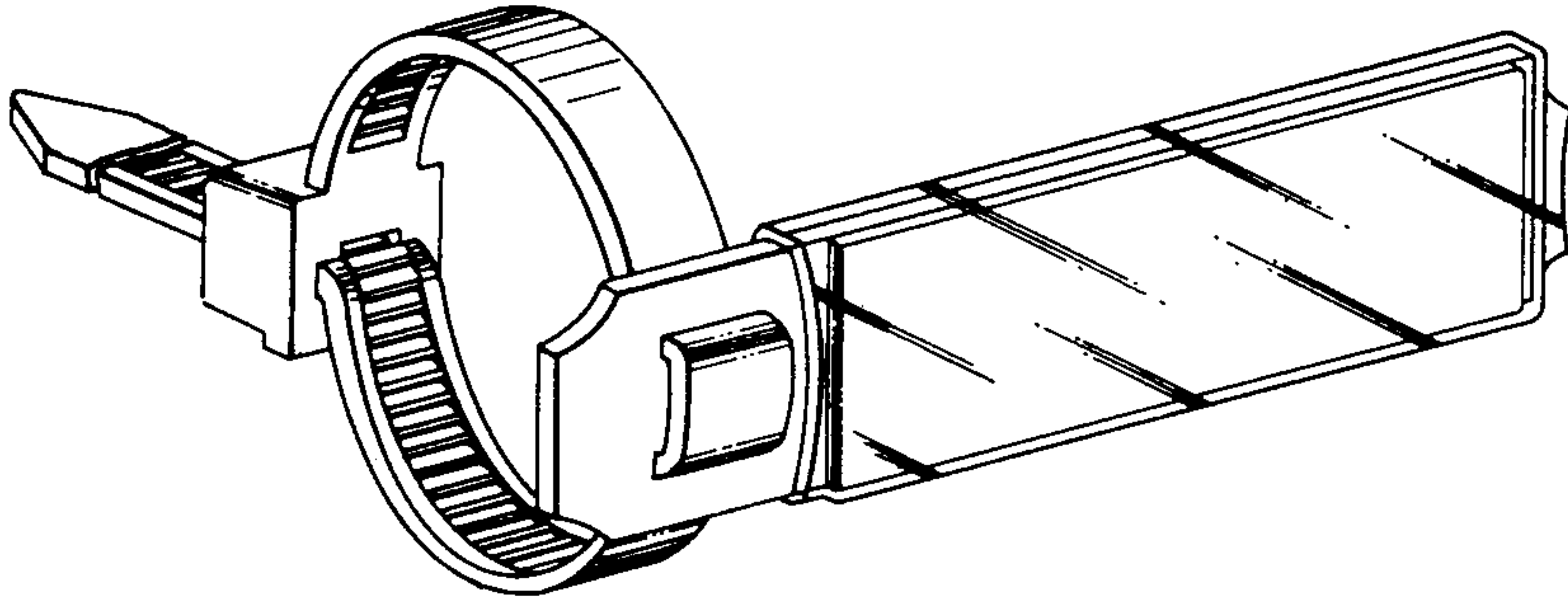


FIG. 2.

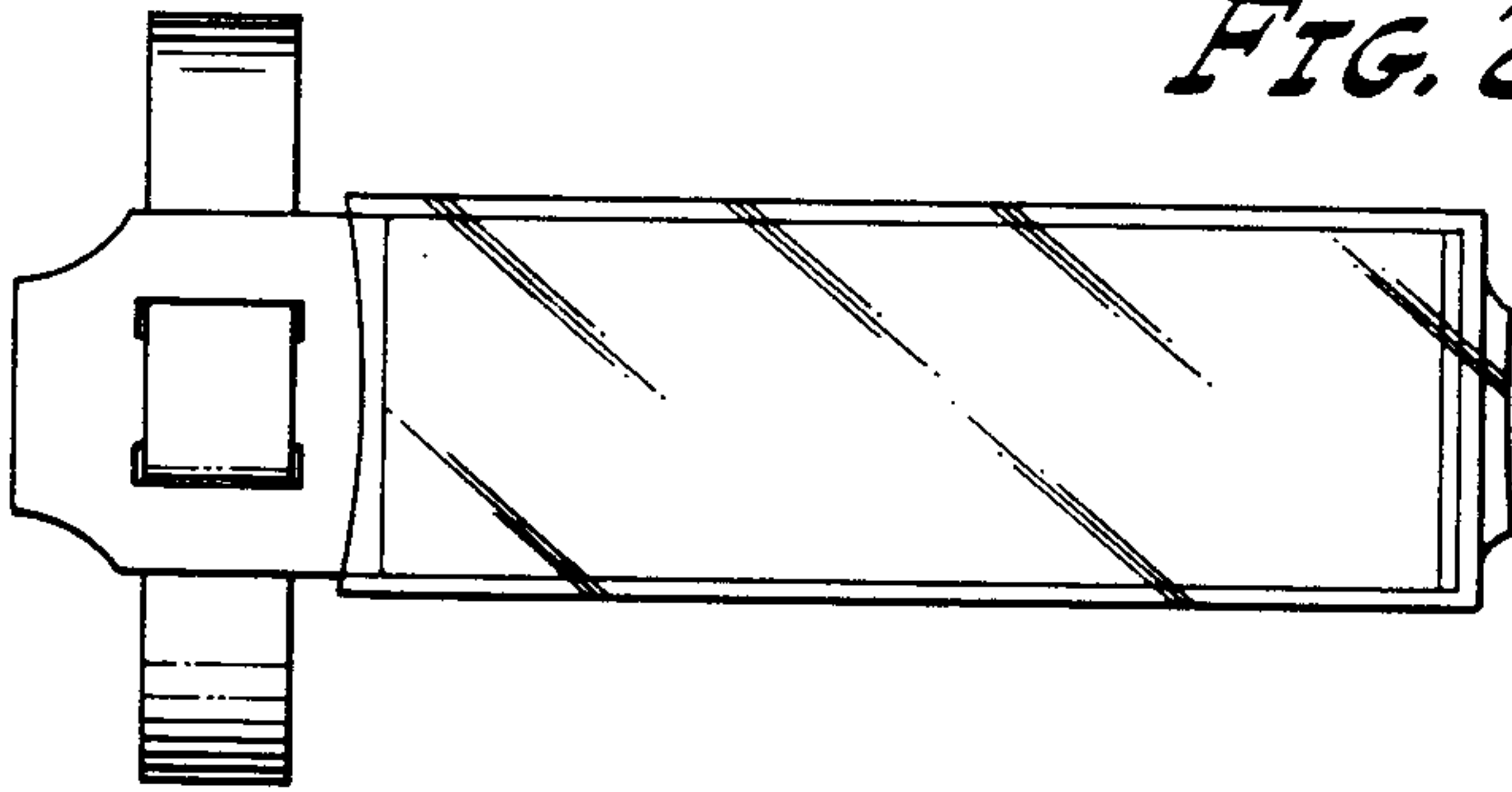


FIG. 3.

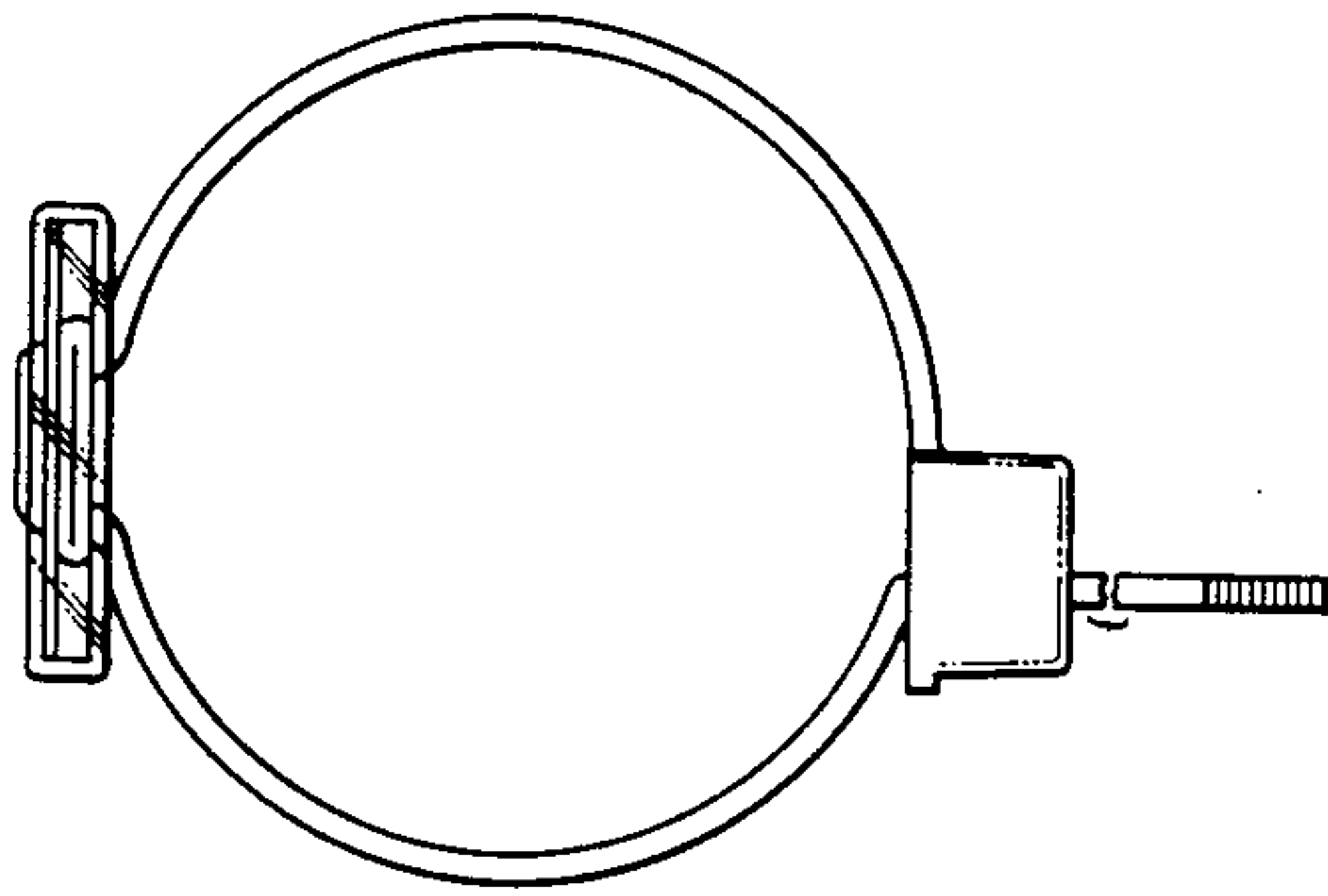


FIG. 4.

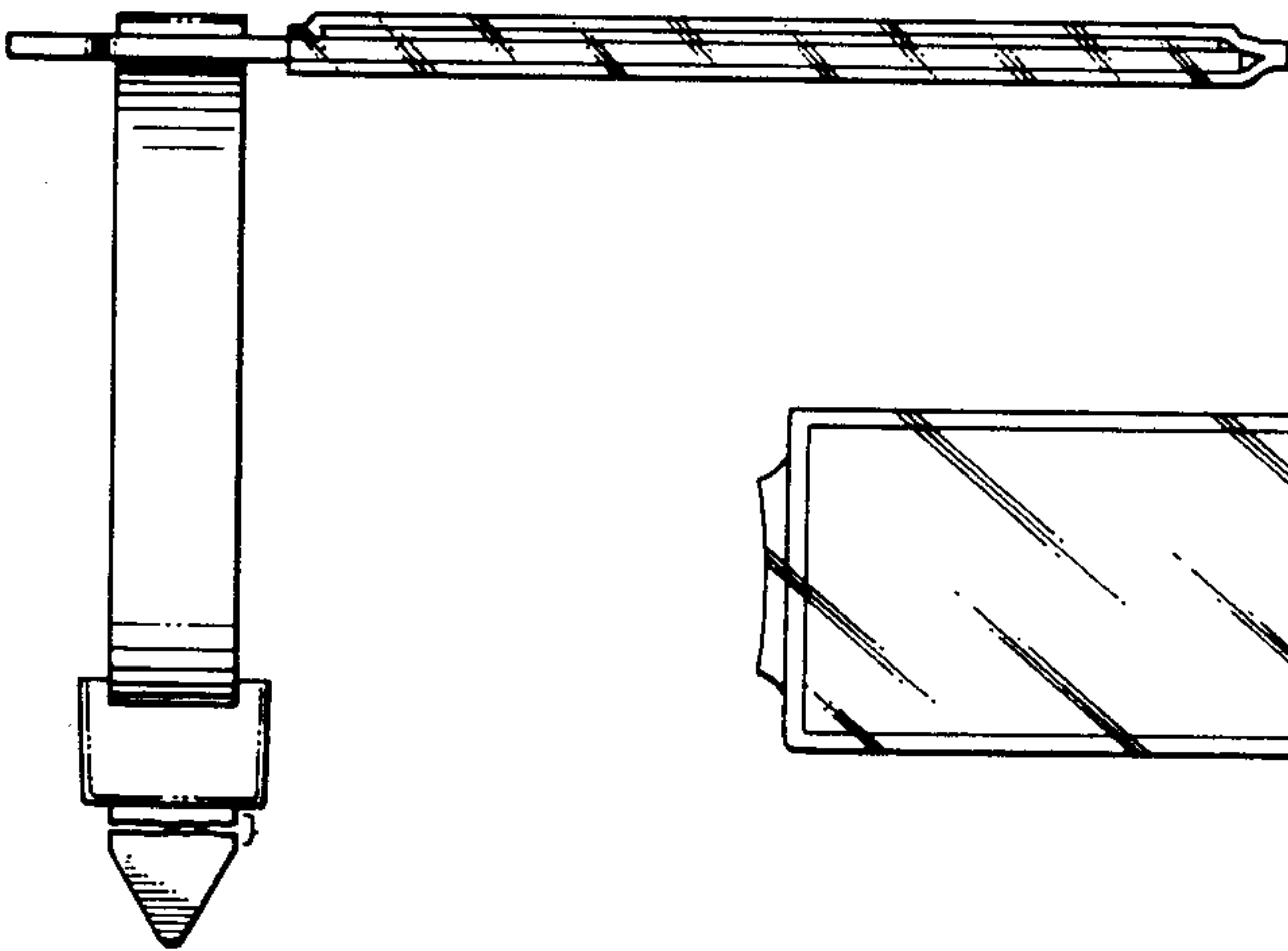


FIG. 5.

