

[54] TYPEWRITER

[75] Inventor: Cornelius W. Christie, Fulton, N.Y.

[73] Assignee: SCM Corporation, New York, N.Y.

[**] Term: 14 Years

[21] Appl. No.: 46,900

[22] Filed: Jun. 1, 1979

[51] Int. Cl. D18-01

[52] U.S. Cl. D18/1

[58] Field of Search D18/1, 2; D21/127;
400/691-694

[56] References Cited

U.S. PATENT DOCUMENTS

- D. 232,583 8/1974 Abend et al. D18/1
- D. 253,178 10/1979 Osit D18/1

OTHER PUBLICATIONS

The Washington Post, Thursday, 3/25/76, p. D17-Sears
"Communicator 1" Typewriter.

Primary Examiner—Louis S. Zarfes
Attorney, Agent, or Firm—W. E. Mear

[57] CLAIM

The ornamental design for a typewriter, as shown.

DESCRIPTION

FIG. 1 is a front perspective view of a typewriter showing my new design;

FIG. 2 is a top plan view thereof;

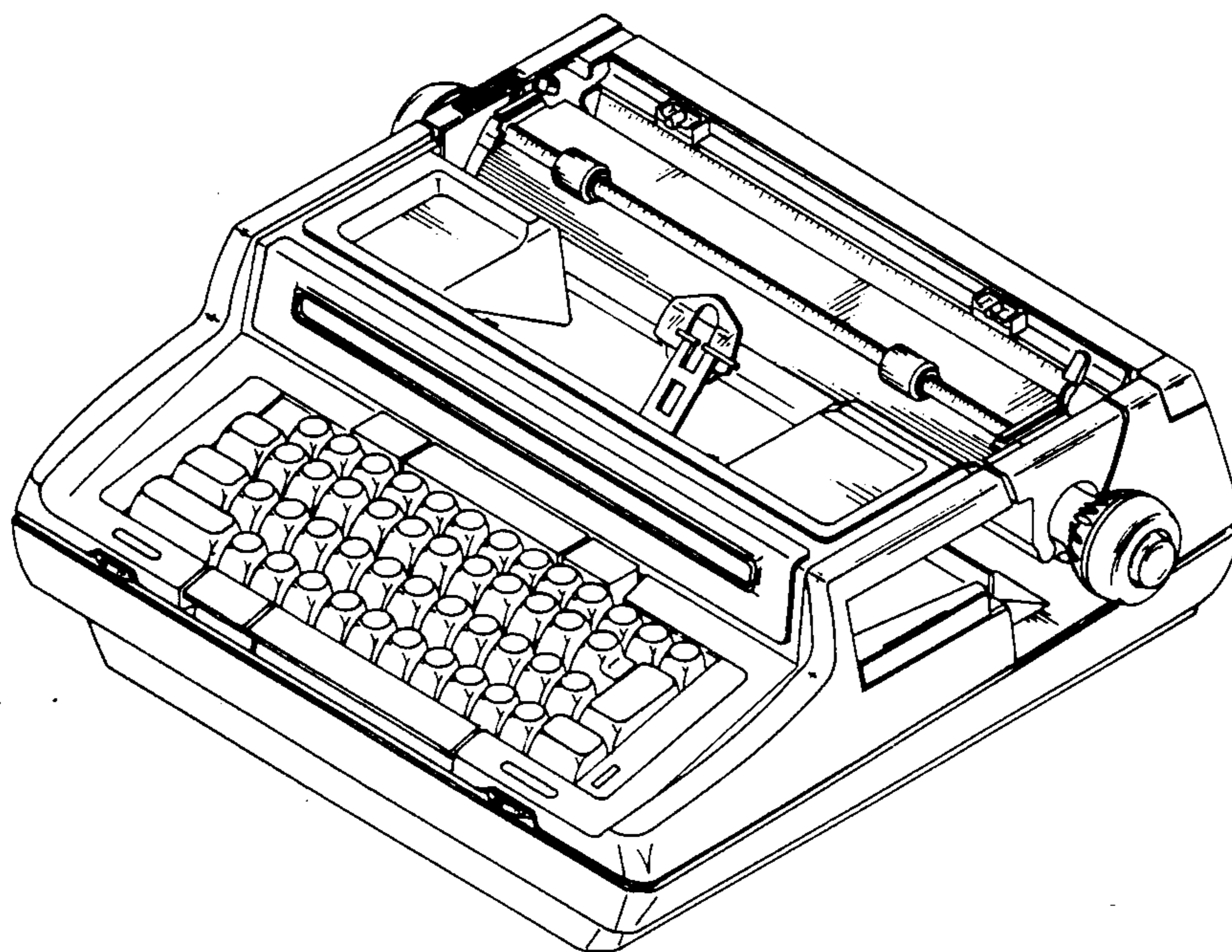
FIG. 3 is a front elevational view thereof;

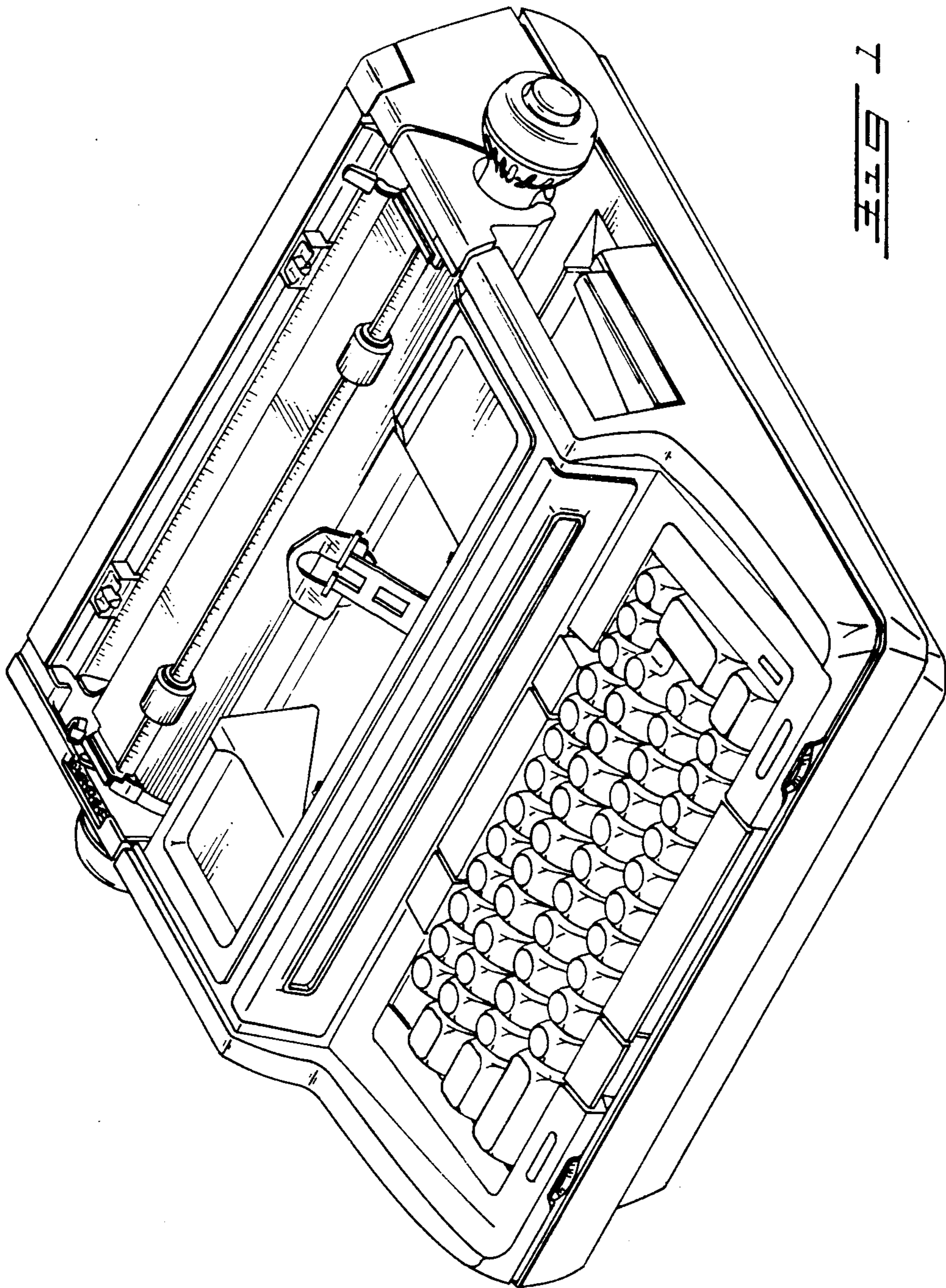
FIG. 4 is a rear elevational view thereof;

FIG. 5 is a bottom plan view thereof;

FIG. 6 is a left side elevational view thereof; and

FIG. 7 is a right side elevational view thereof.





1-107E

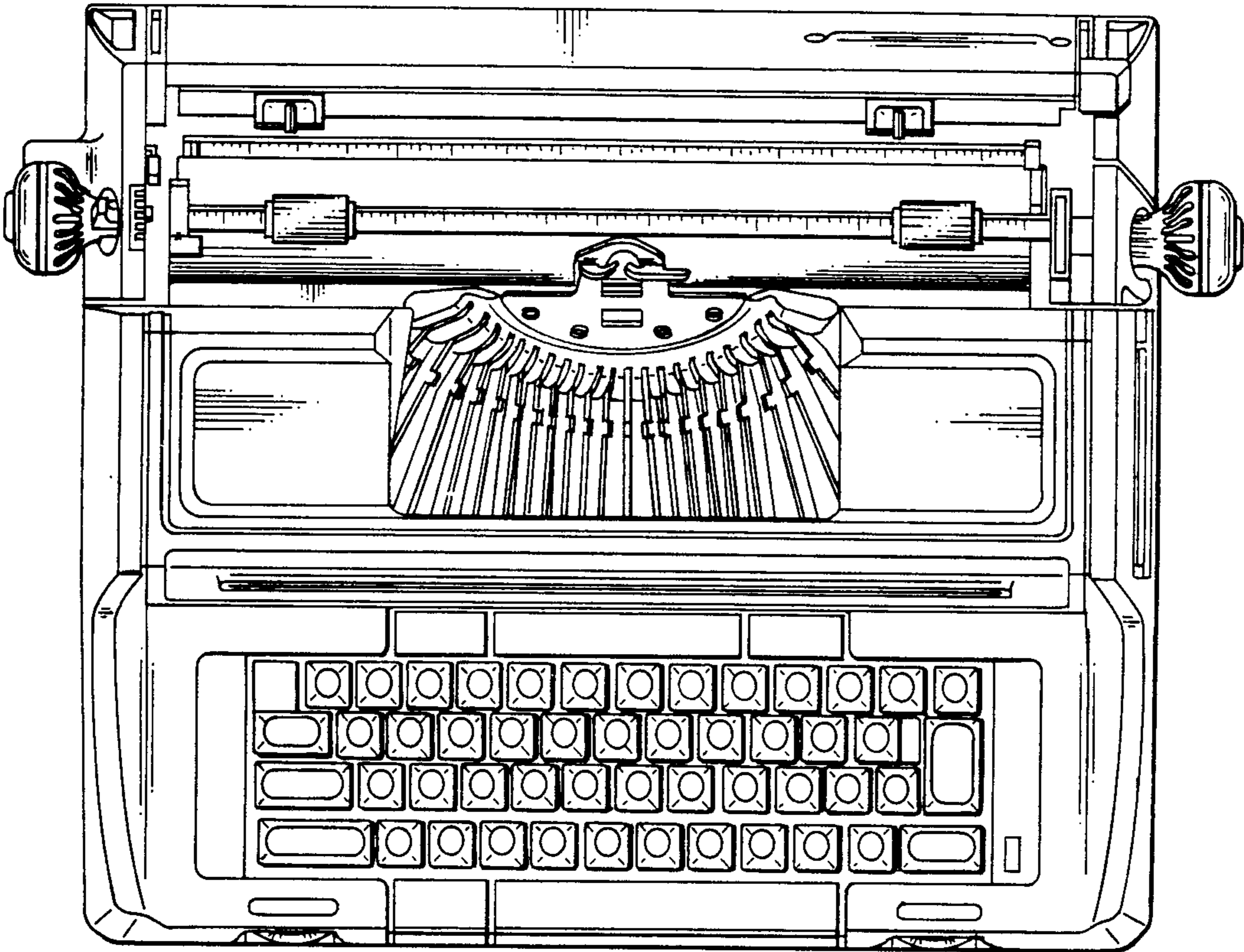


FIG 2

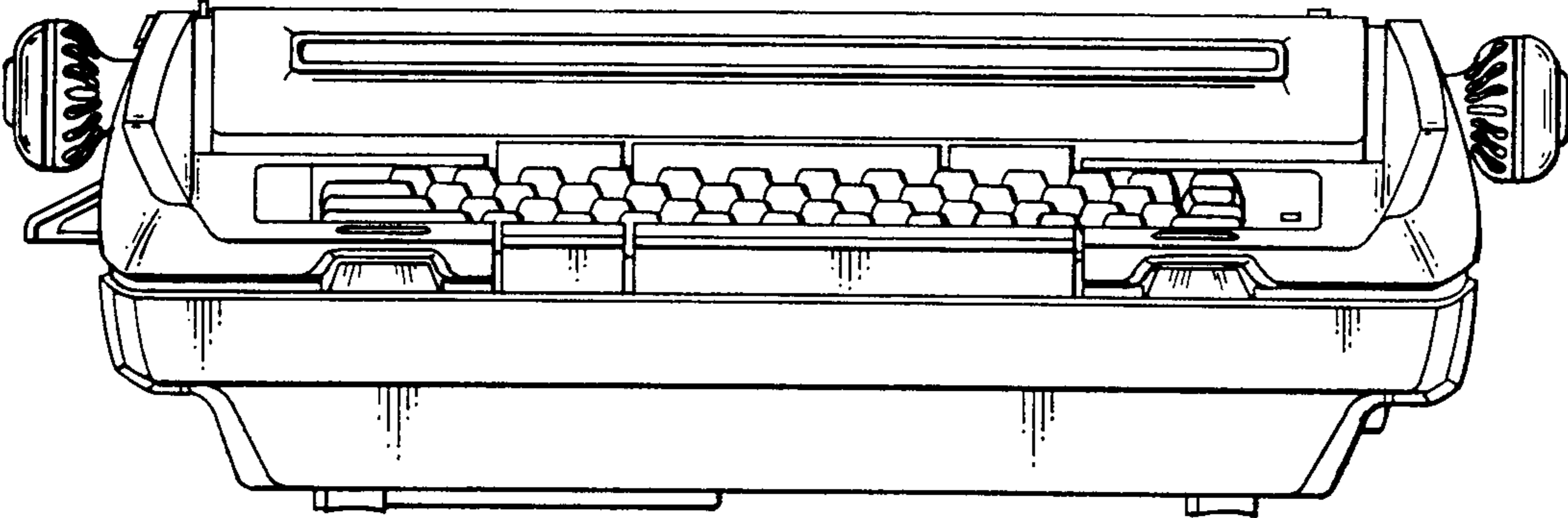


FIG 3

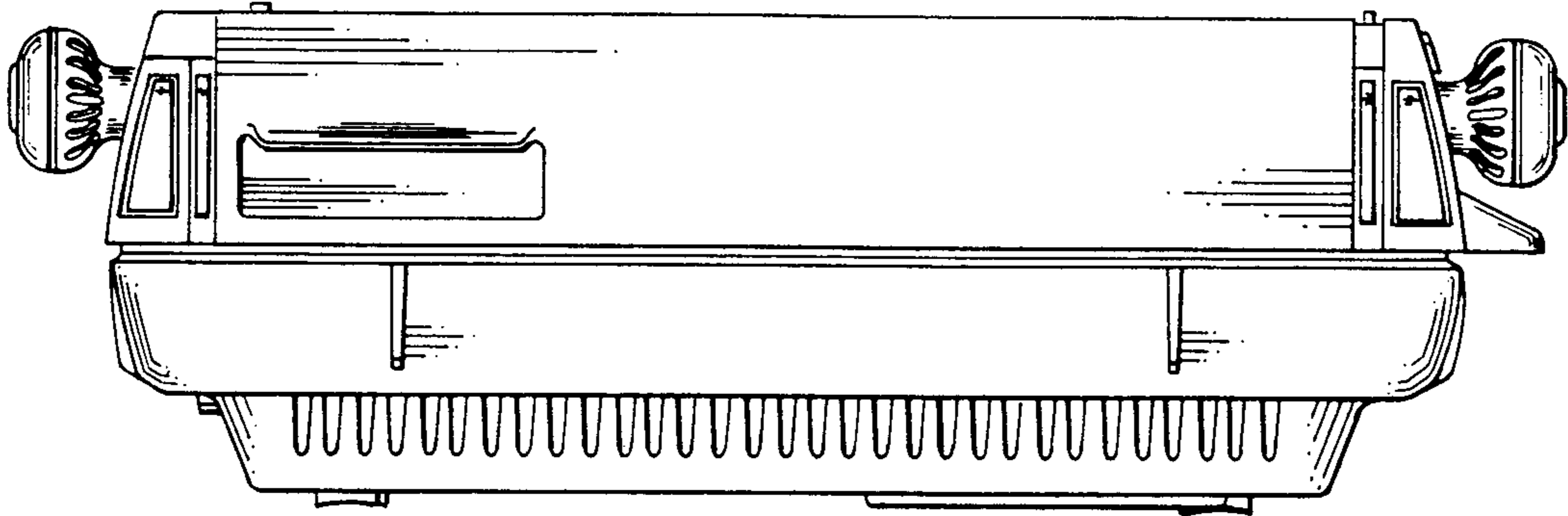


FIG 4

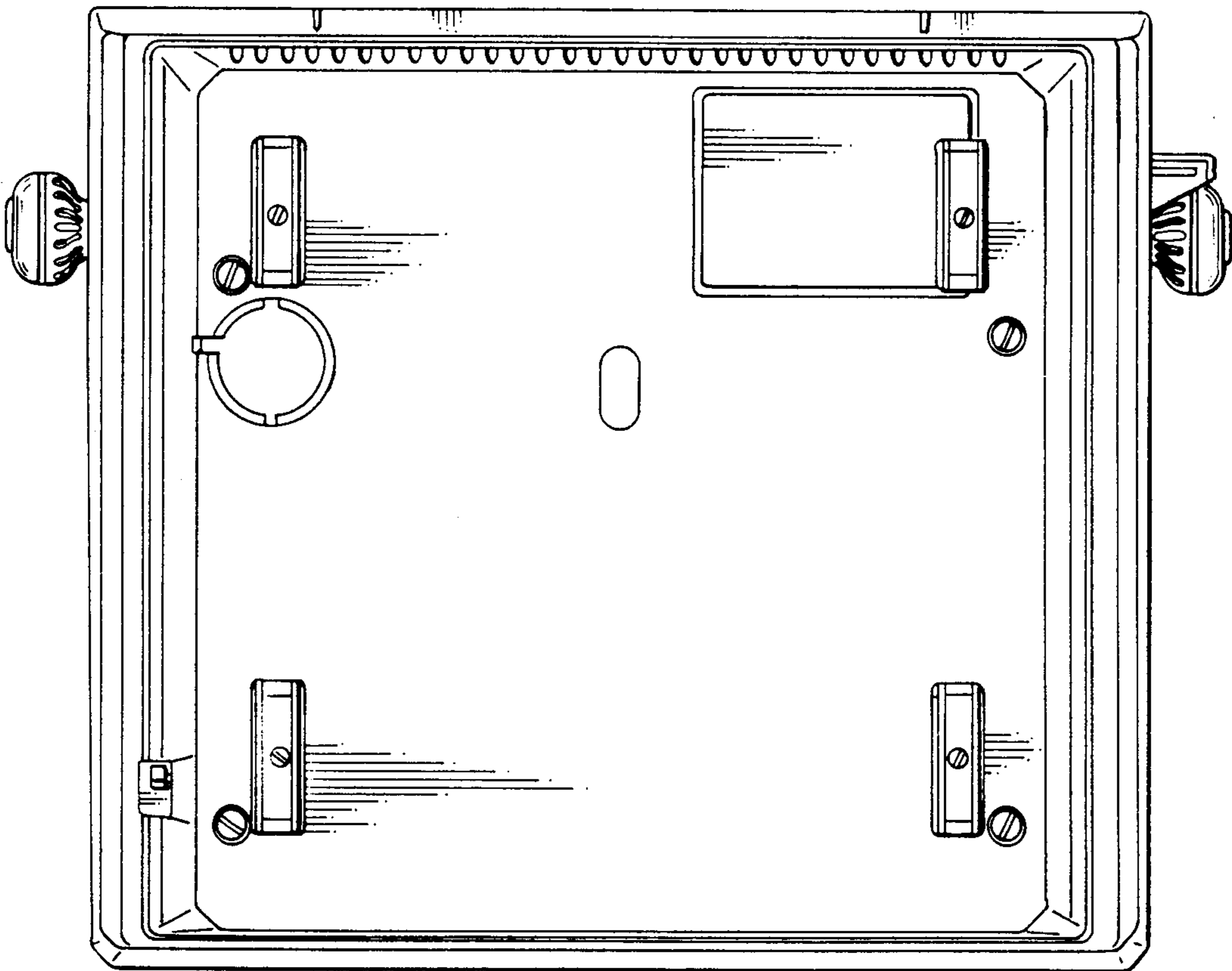


FIG 5

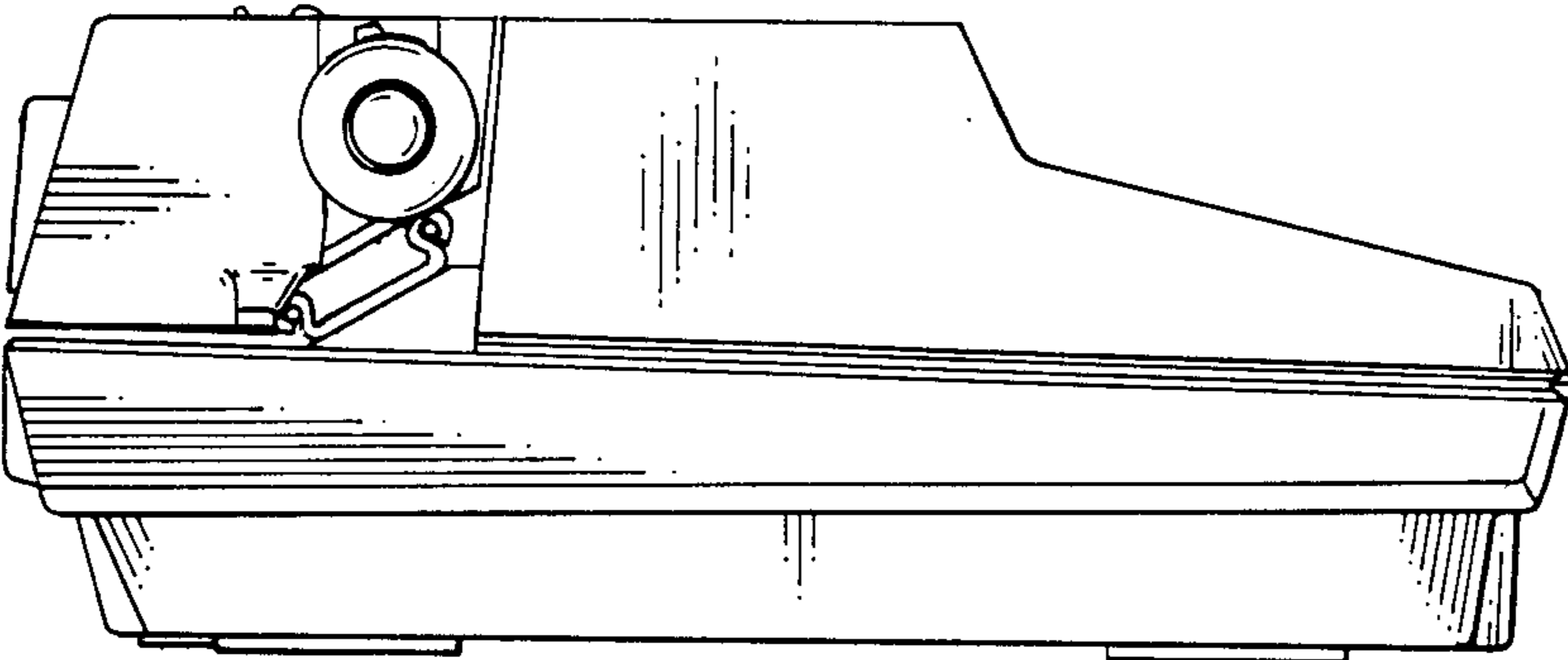


FIG 6

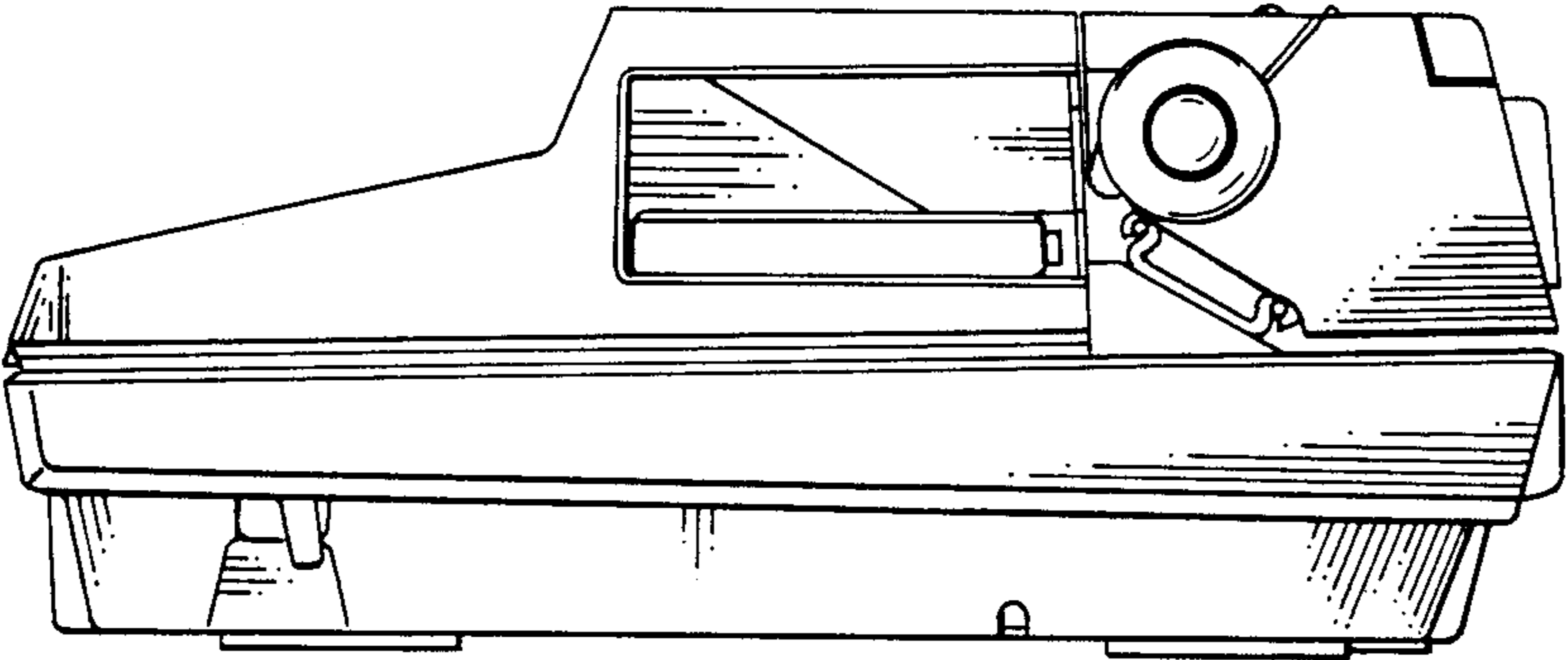


FIG 7