

[54] BOAT

[75] Inventor: Juichi Arima, Seattle, Wash.

[73] Assignee: U.S. Industries, Inc., New York, N.Y.

[\*\*] Term: 14 Years

[21] Appl. No.: 842,374

[22] Filed: Oct. 14, 1977

[51] Int. Cl. .... D12-06

[52] U.S. Cl. .... D12/62

[58] Field of Search ..... D12/62; 9/1.1, 1.5, 9/1.7, 6 R, 6 P, 6 W

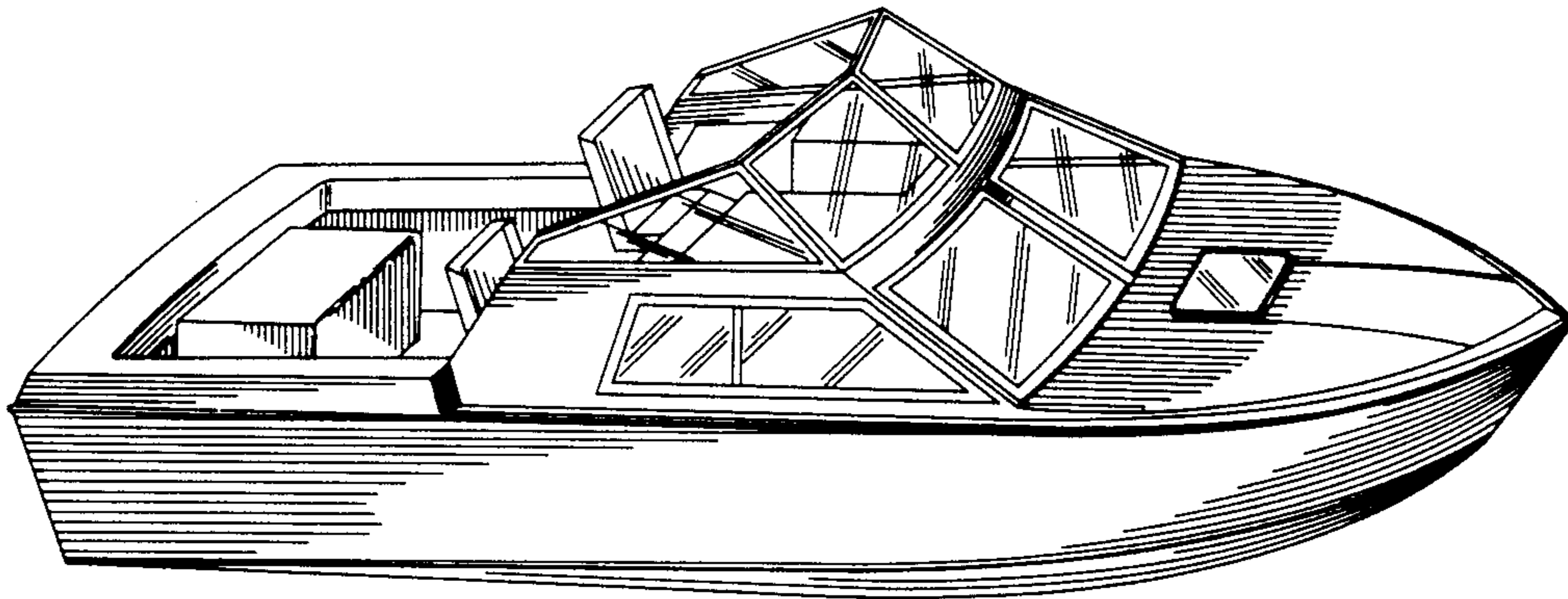
[56] **References Cited**  
 U.S. PATENT DOCUMENTS  
 3,783,461 1/1974 Sugden ..... 9/1.5

*Primary Examiner*—Sam Rosen  
*Attorney, Agent, or Firm*—Greek Wells

[57] **CLAIM**  
 The ornamental design for a boat, as shown.

**DESCRIPTION**

FIG. 1 is a side elevation view of a boat showing the design;  
 FIG. 2 is a top view thereof;  
 FIG. 3 is a side elevational view thereof, the opposite side being identical;  
 FIG. 4 is a rear elevational view thereof; and  
 FIG. 5 is a front elevational view thereof.



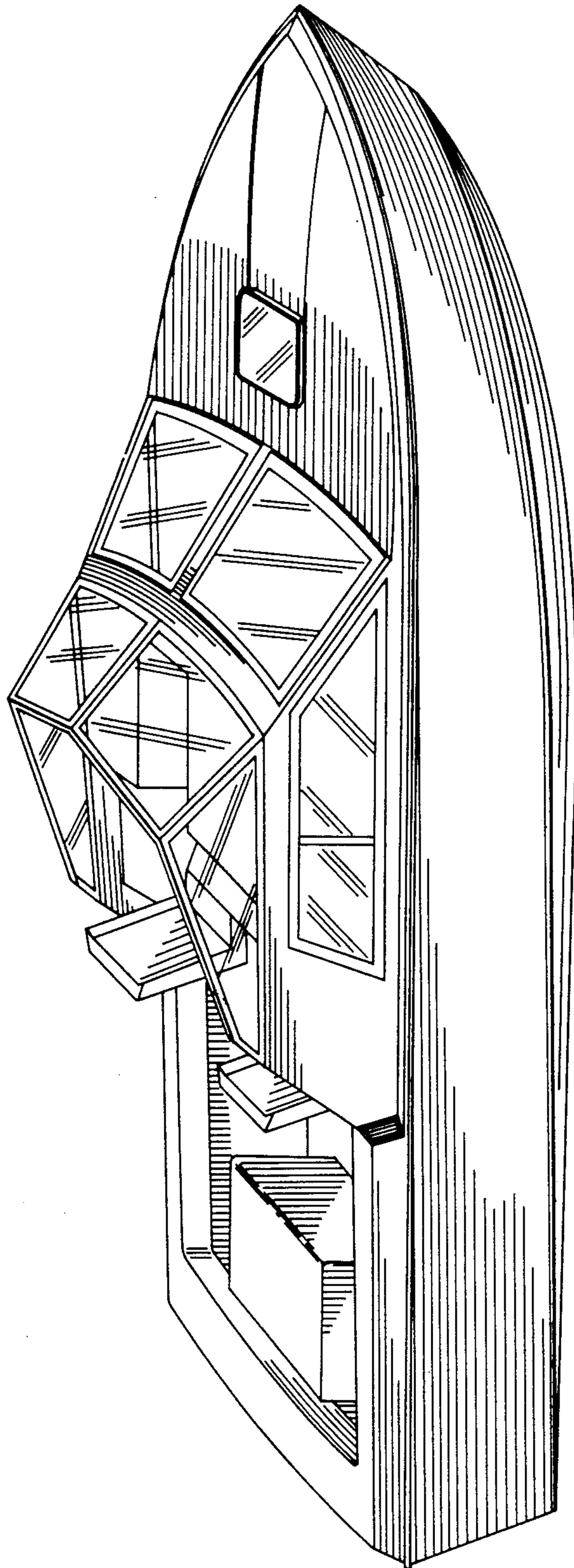


FIG. 1

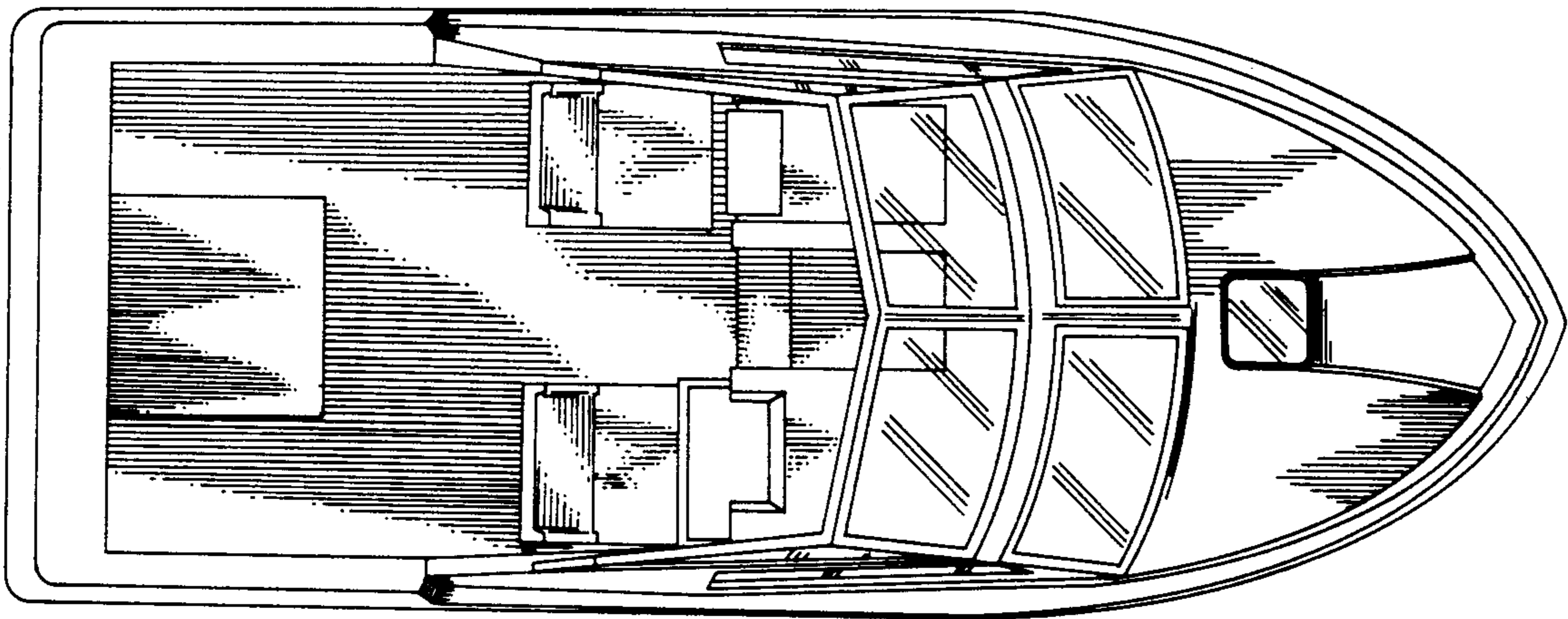


FIG 2

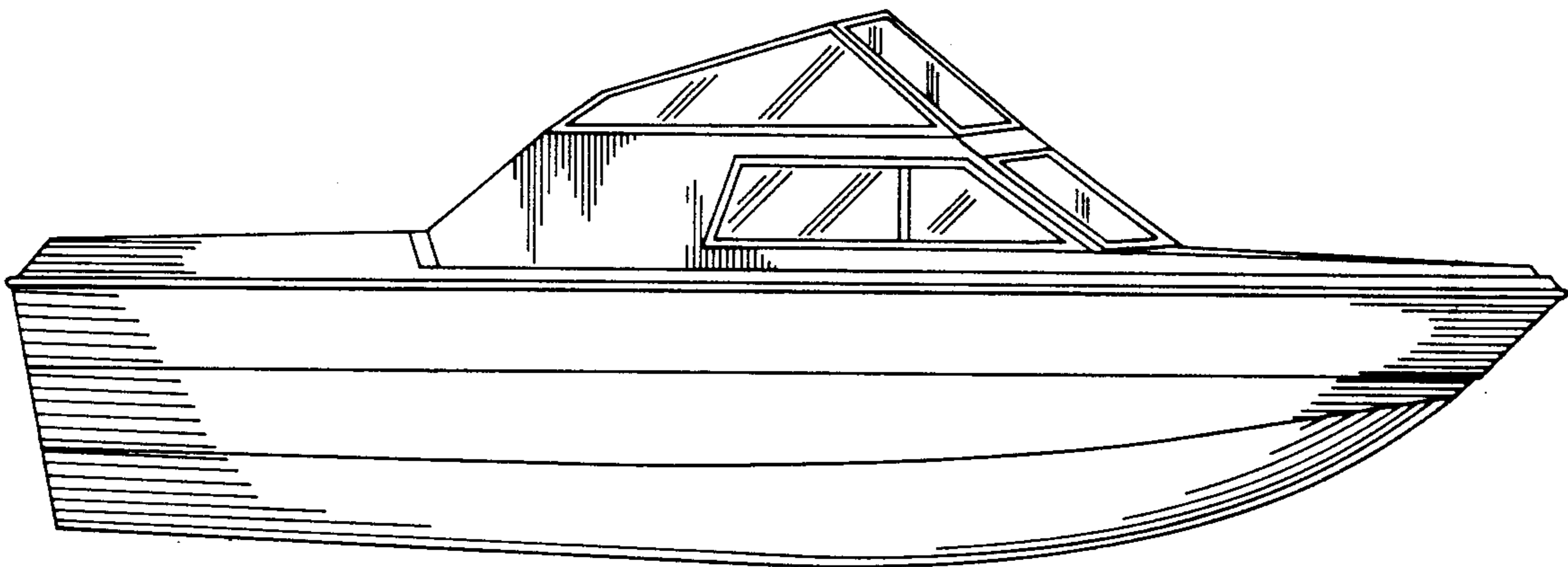


FIG 3

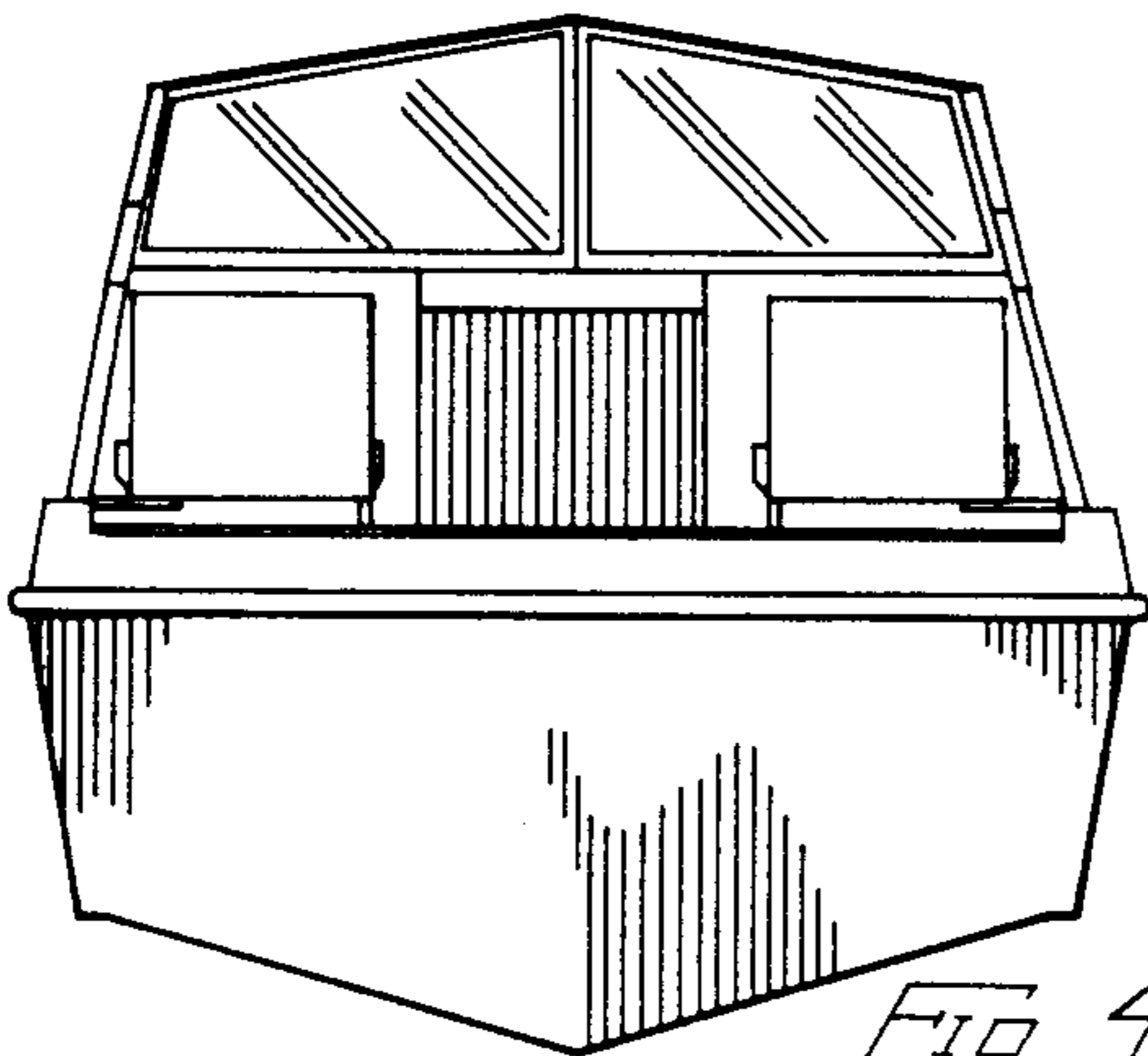


FIG 4

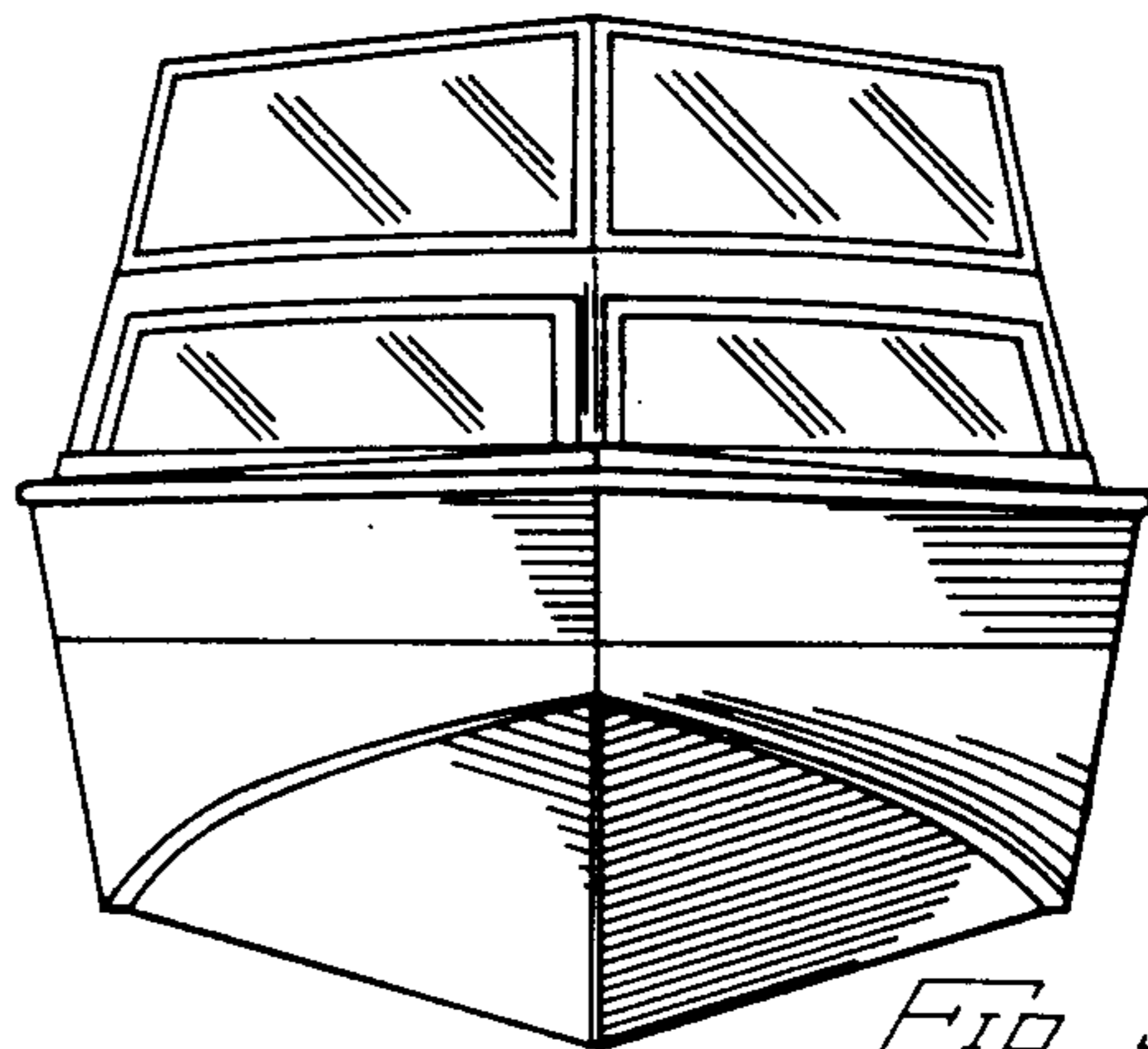


FIG 5