

[54] ANCHOR LINE ADJUSTER AND THE LIKE

[56]

References Cited

U.S. PATENT DOCUMENTS

[76] Inventor: Nathan A. Haft, 820 Tenth Ave., New York, N.Y. 10019

D. 191,772	11/1961	Levacy .....	D8/396
1,674,436	6/1928	Holzappel .....	114/210
3,595,194	7/1971	Wolff .....	114/210
4,058,074	11/1977	Hungerford .....	114/210

[\*\*] Term: 14 Years

Primary Examiner—Barbara J. Bullock  
Attorney, Agent, or Firm—Alex Friedman

[21] Appl. No.: 900,202

[57] CLAIM

The ornamental design for an anchor line adjuster and the like, as shown and described.

[22] Filed: Apr. 26, 1978

DESCRIPTION

[51] Int. Cl. .... D8—08

FIG. 1 is a top plan view of an anchor line adjuster showing my new design;

[52] U.S. Cl. .... D8/396; D8/383

FIG. 2 is a front elevational view thereof;

[58] Field of Search ..... D8/349, 354, 356, 358, D8/360, 366, 382-384, 394-396, 499, 355; 114/210, 181; 24/129 R, 129 B, 257 R, 259 R; 242/151, 152

FIG. 3 is a side elevational view taken from the right of FIG. 1;

FIG. 4 is a bottom plan view thereof;

FIG. 5 is a rear elevational view thereof.

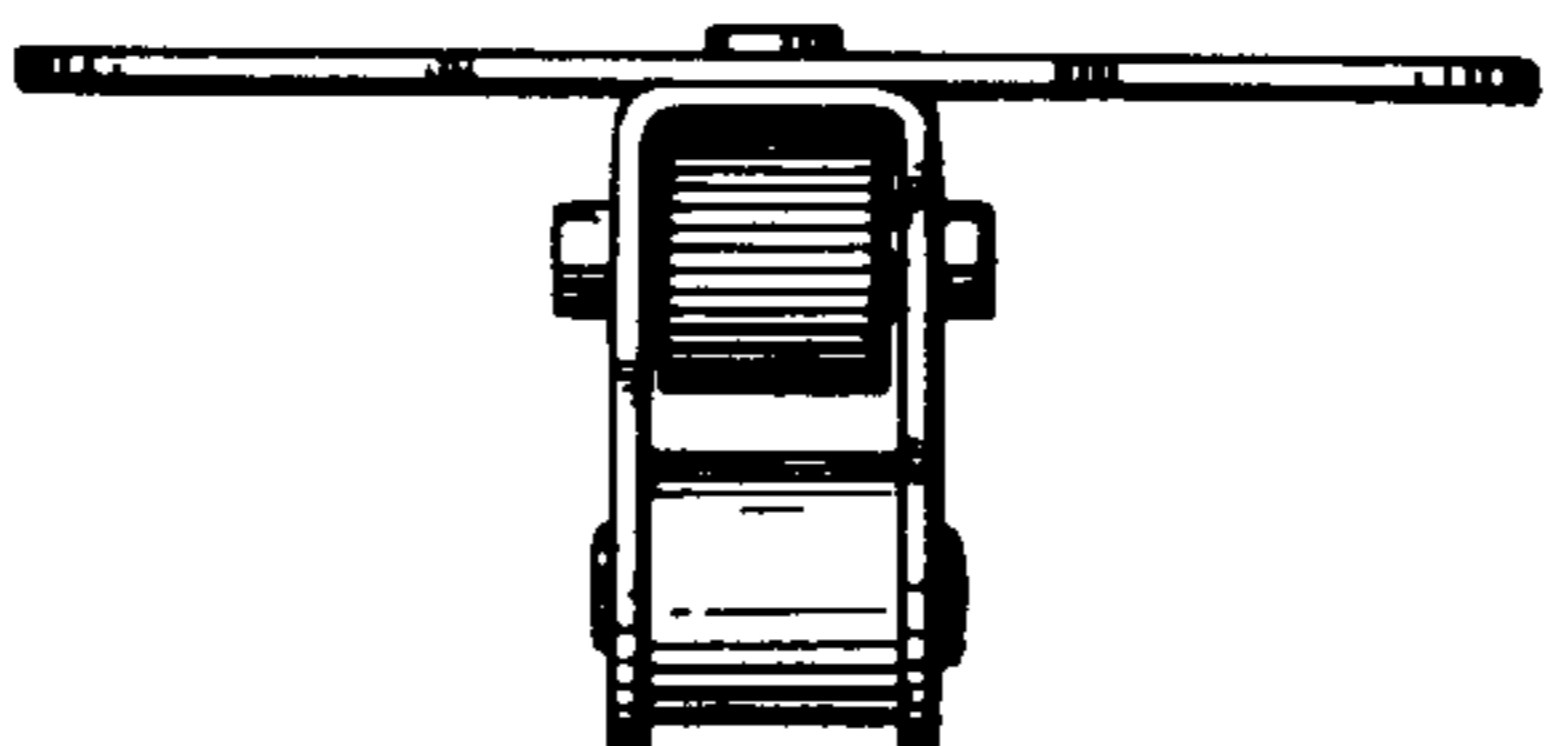
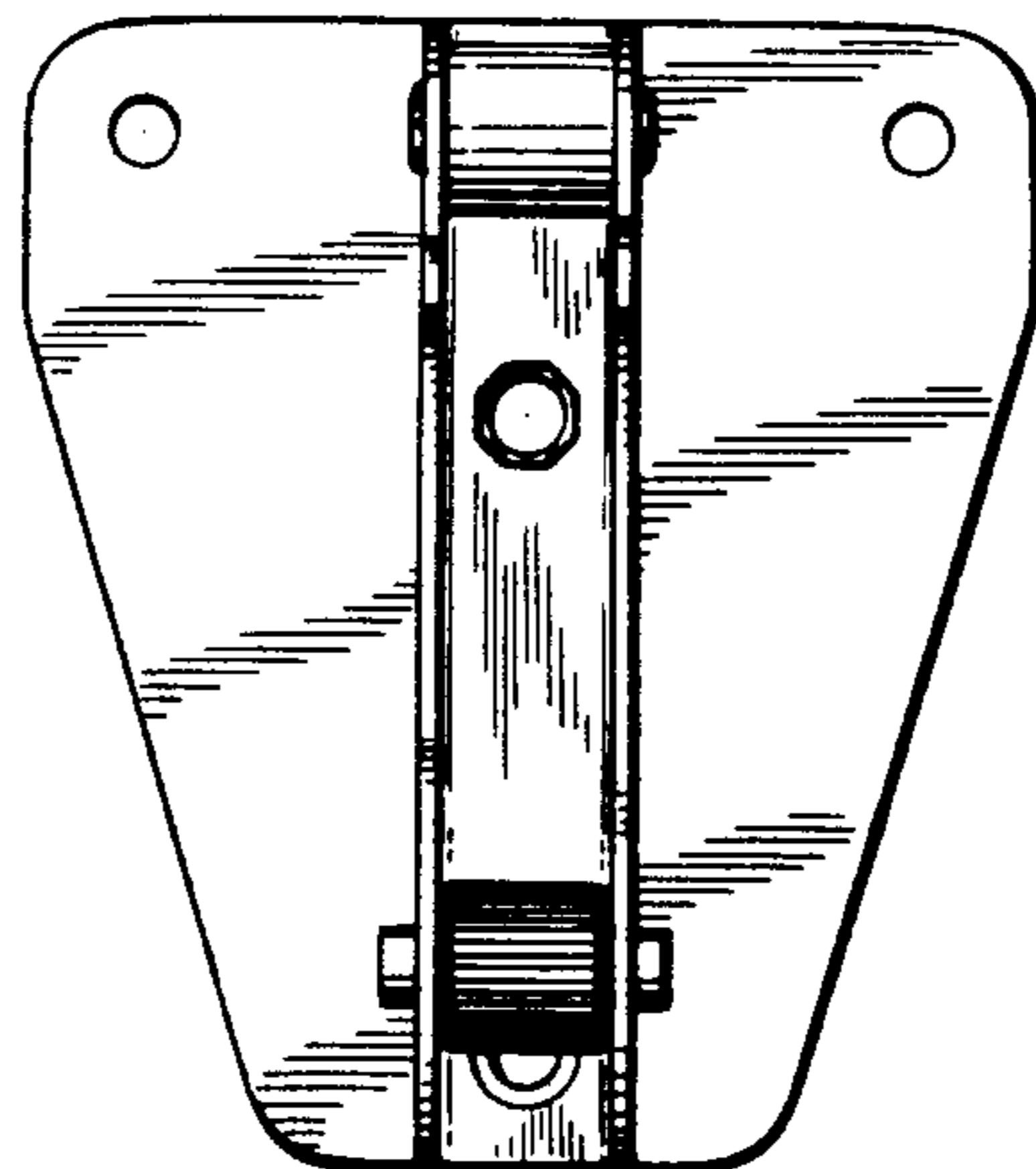


FIG. 1

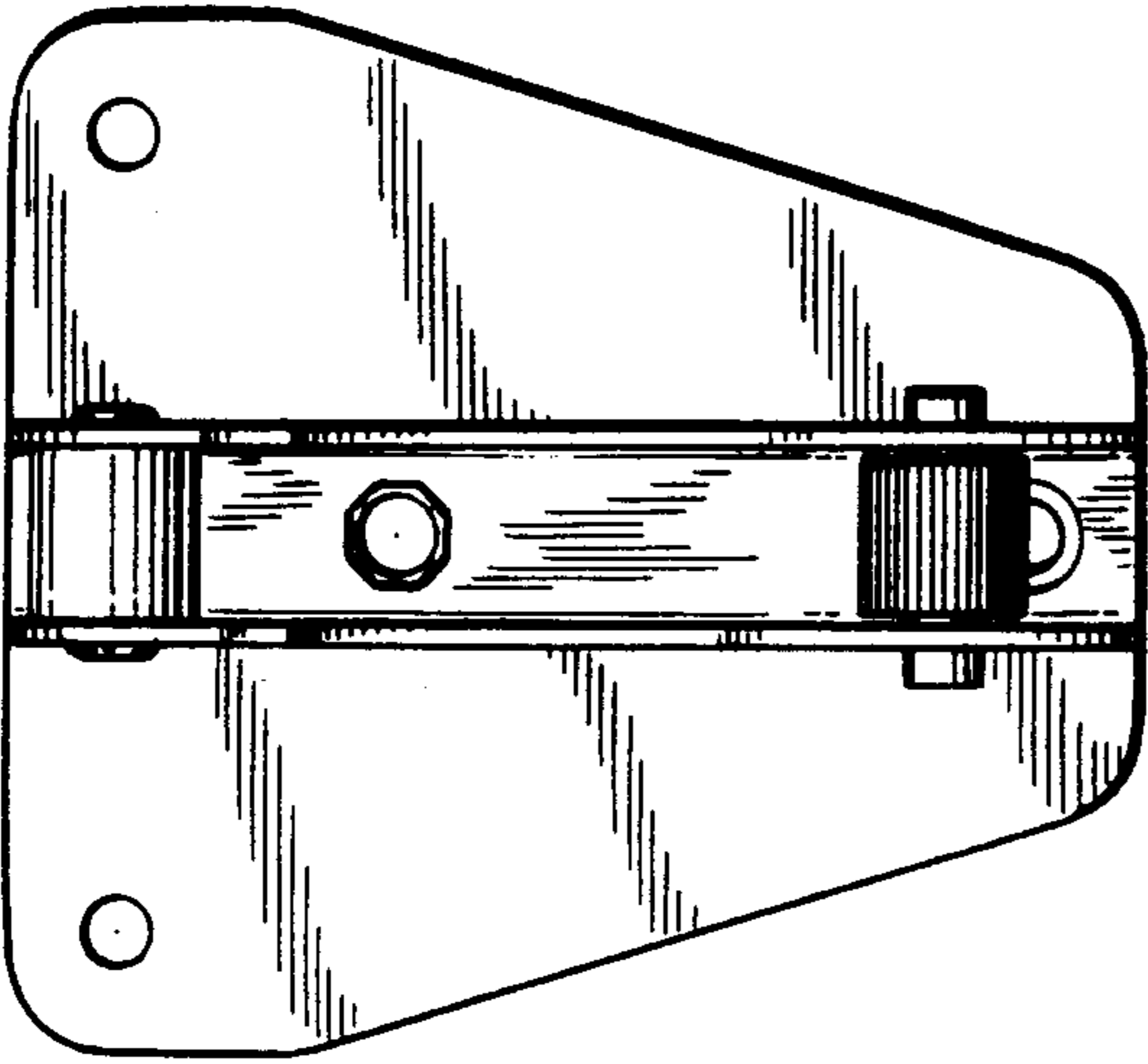


FIG. 3

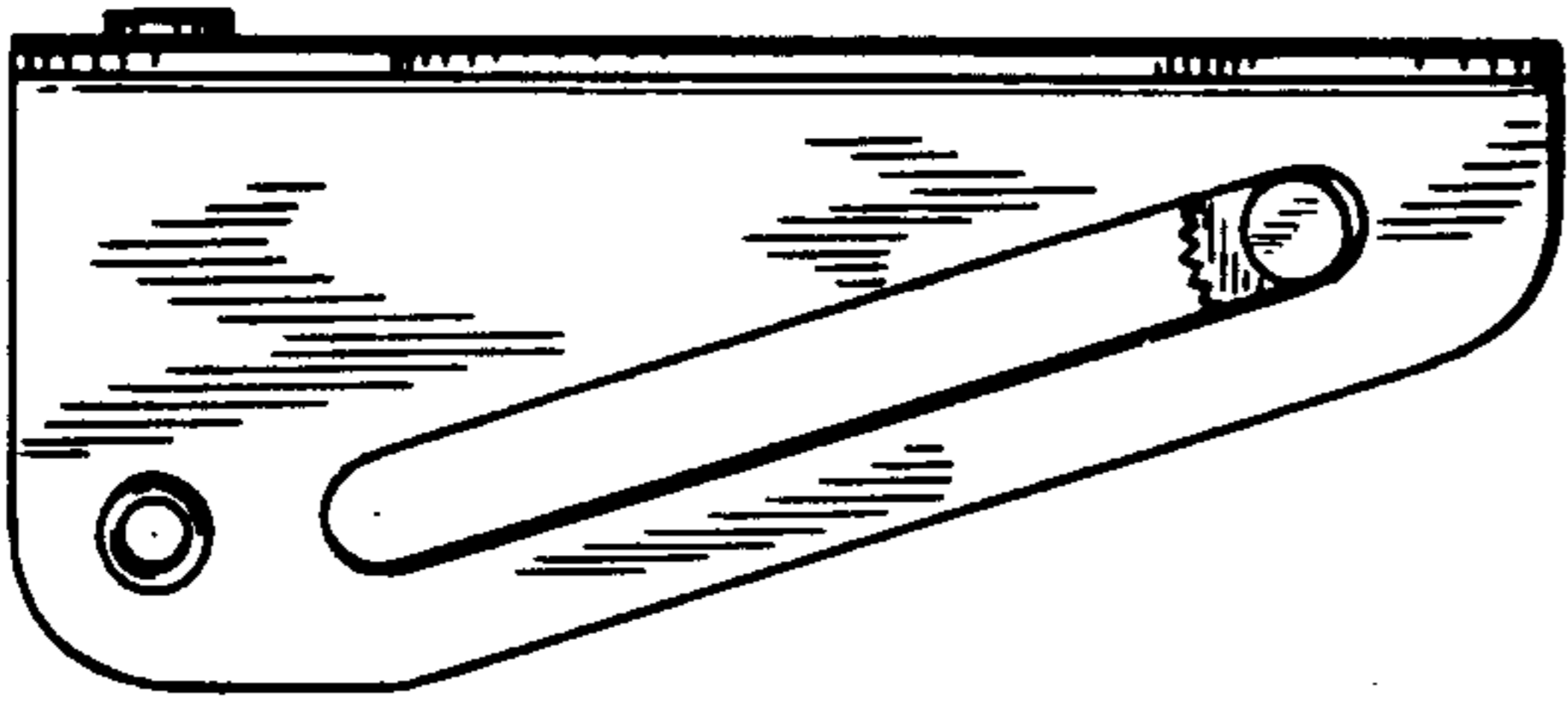


FIG. 4

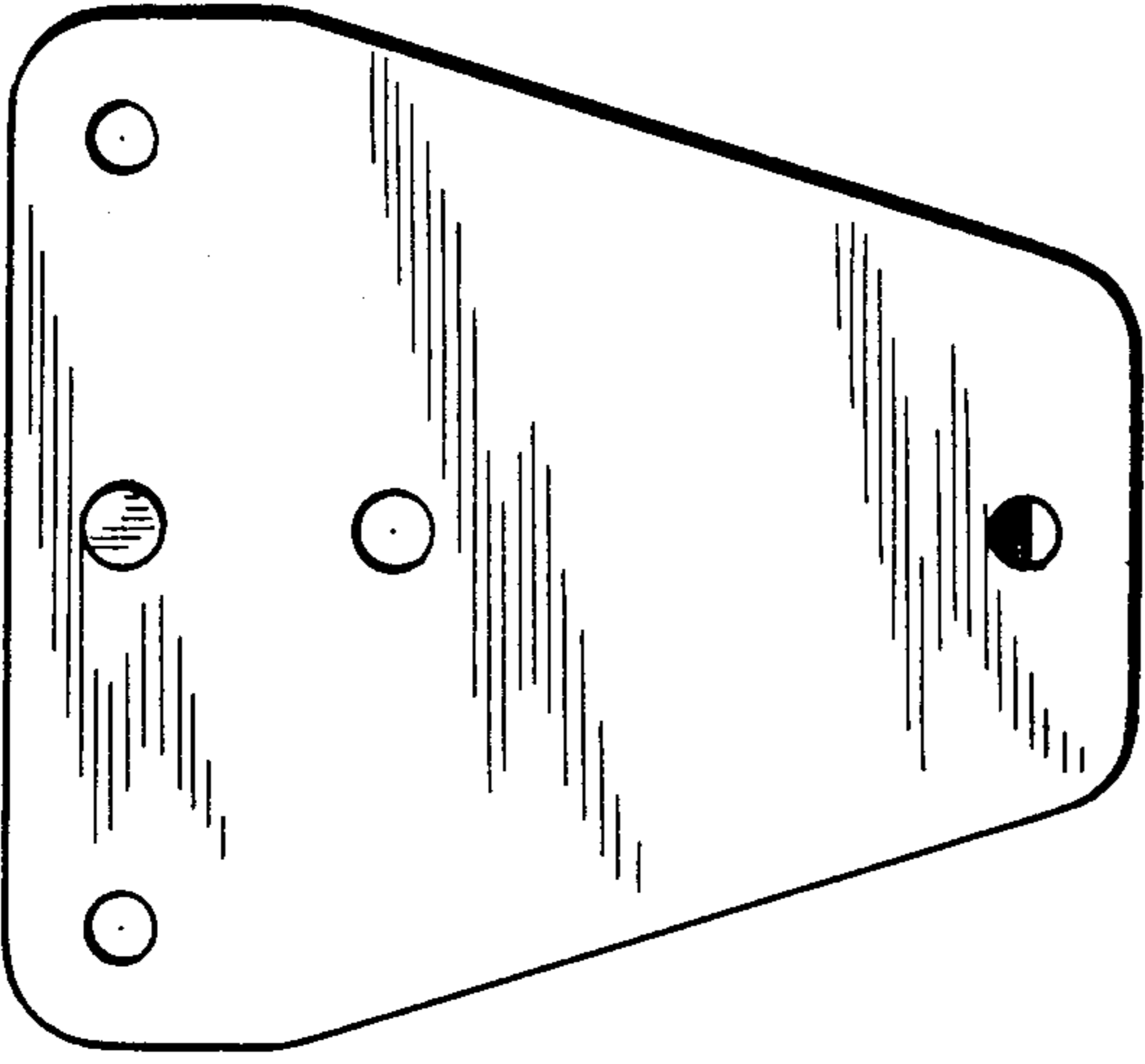


FIG. 2

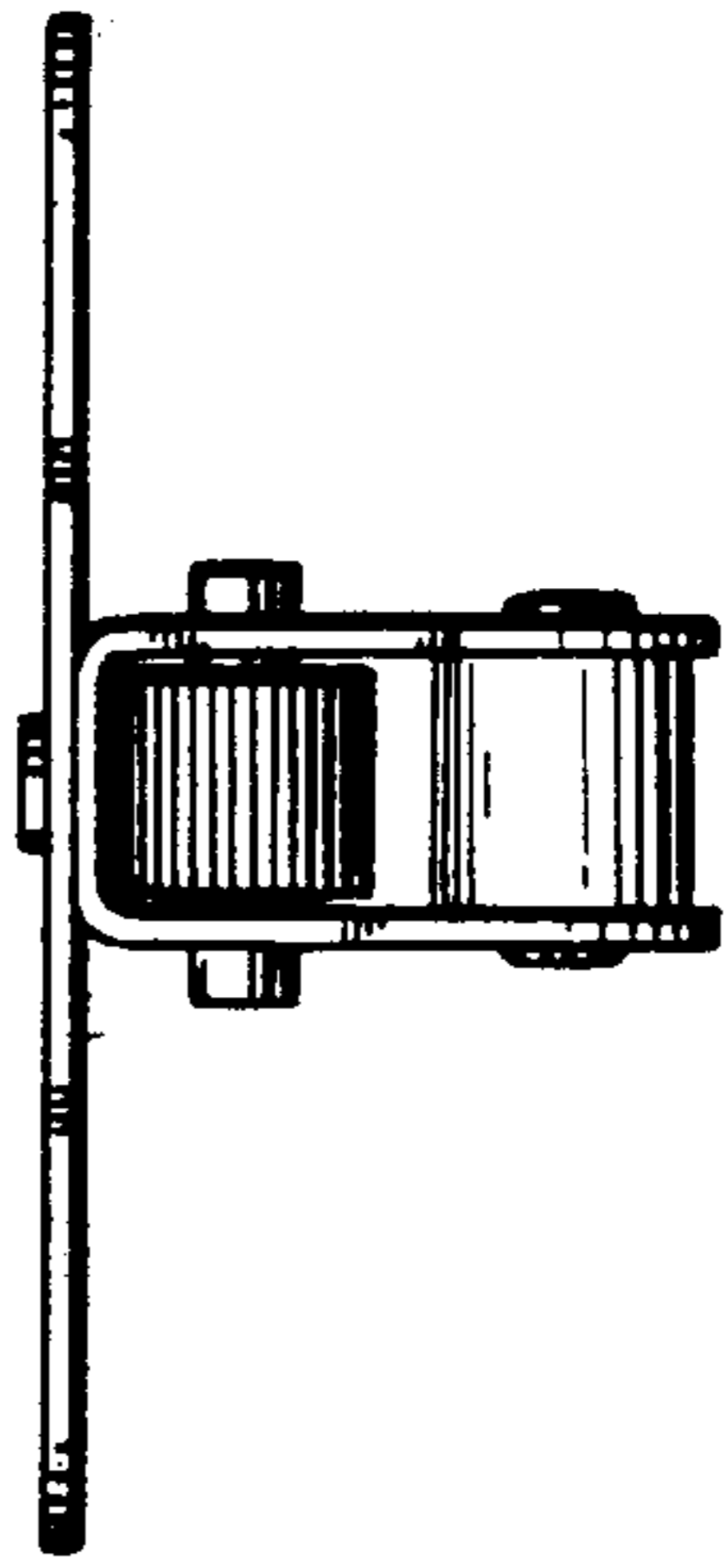


FIG. 5

