

[54] COMBINED BOTTLE WARMER AND MEASURING SPOON

1,944,495	1/1934	Collins	D7/69
2,079,611	5/1937	Harvey	D7/69
2,666,127	1/1954	Johnson	219/439

[75] Inventor: David Chapman, Chicago, Ill.

Primary Examiner—Sam Rosen

[73] Assignee: Gerber Products Company, Fremont, Mich.

Attorney, Agent, or Firm—Stephen S. Townsend

[**] Term: 14 Years

[57] CLAIM

[21] Appl. No.: 901,926

The ornamental design for a combined bottle warmer and measuring spoon, as shown and described.

[22] Filed: May 1, 1978

DESCRIPTION

[51] Int. Cl. D7-04; D7-03

FIG. 1 is a perspective view of a combined bottle warmer and measuring spoon showing my new design with an exploded view of the measuring spoon thereof; FIG. 2 is a top plan view with the spoon removed; FIG. 3 is a front elevational view; FIG. 4 is a right side elevational view with the spoon removed; FIG. 5 is a left side elevational view; FIG. 6 is a rear elevational view; and FIG. 7 is a bottom plan view.

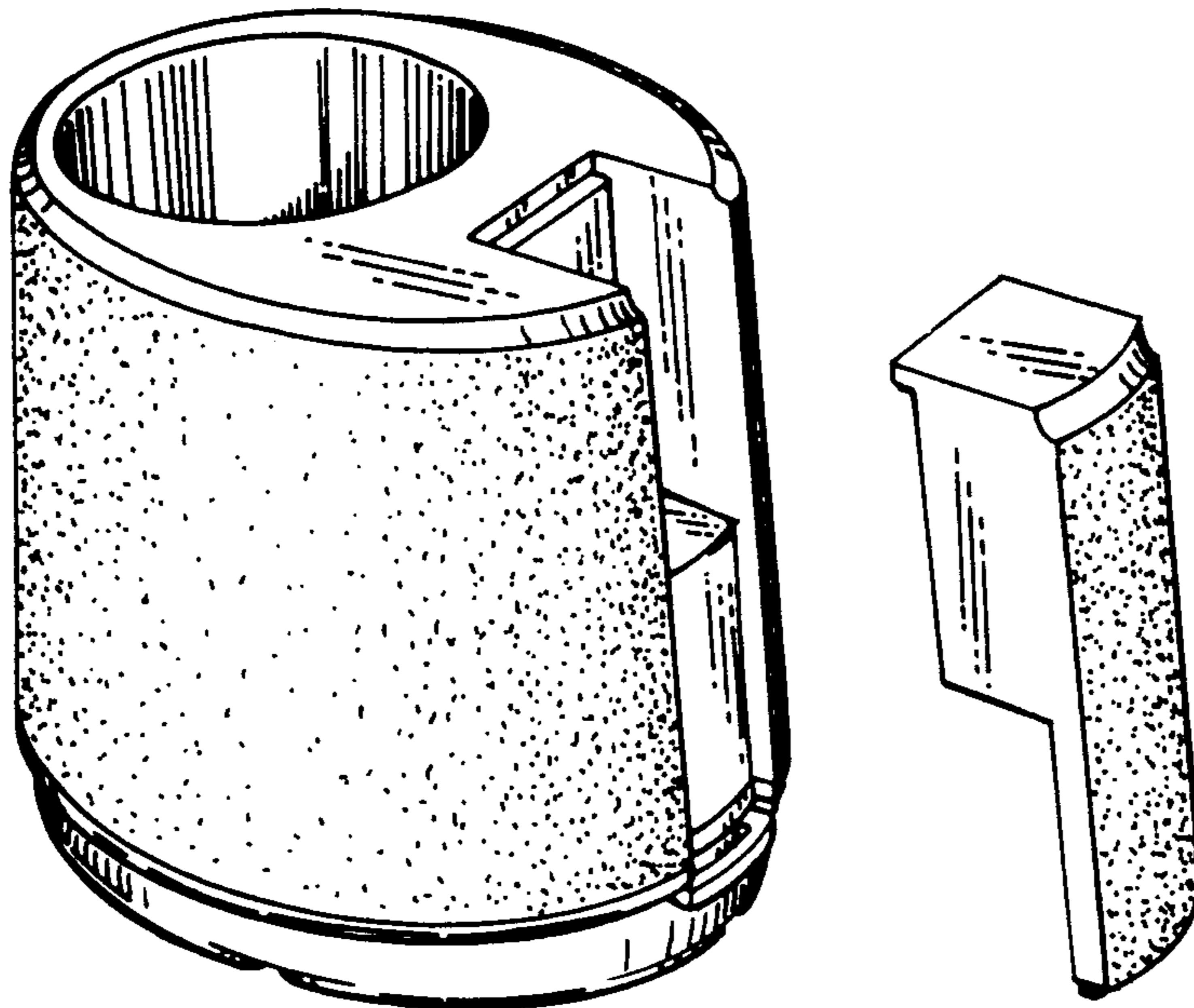
[52] U.S. Cl. D7/69; D7/77; D7/137

[58] Field of Search D7/69, 77, 137; 219/201, 439, 521

[56] References Cited

U.S. PATENT DOCUMENTS

D. 216,407 12/1969 Kull et al. D7/77



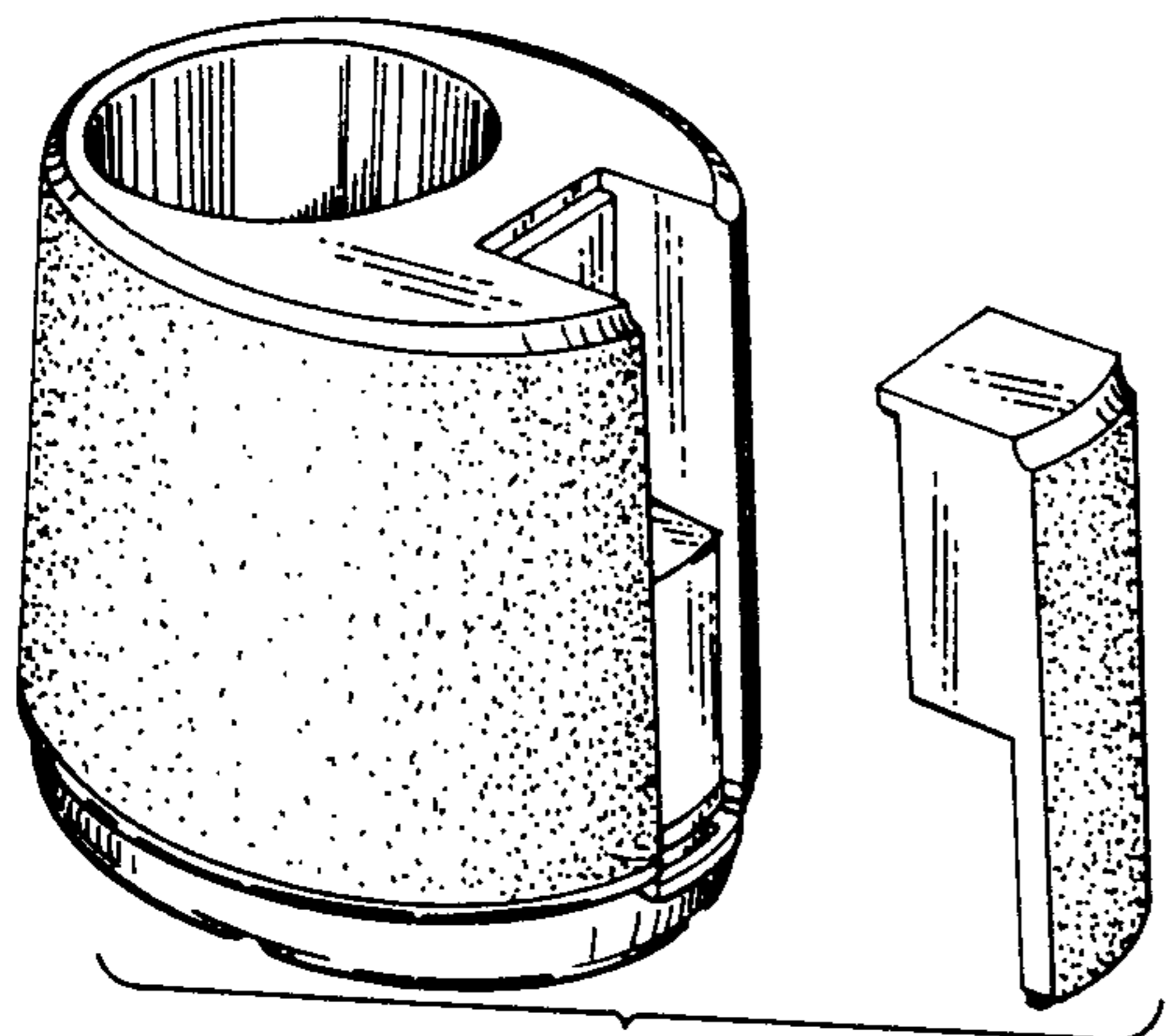


FIG. 1.

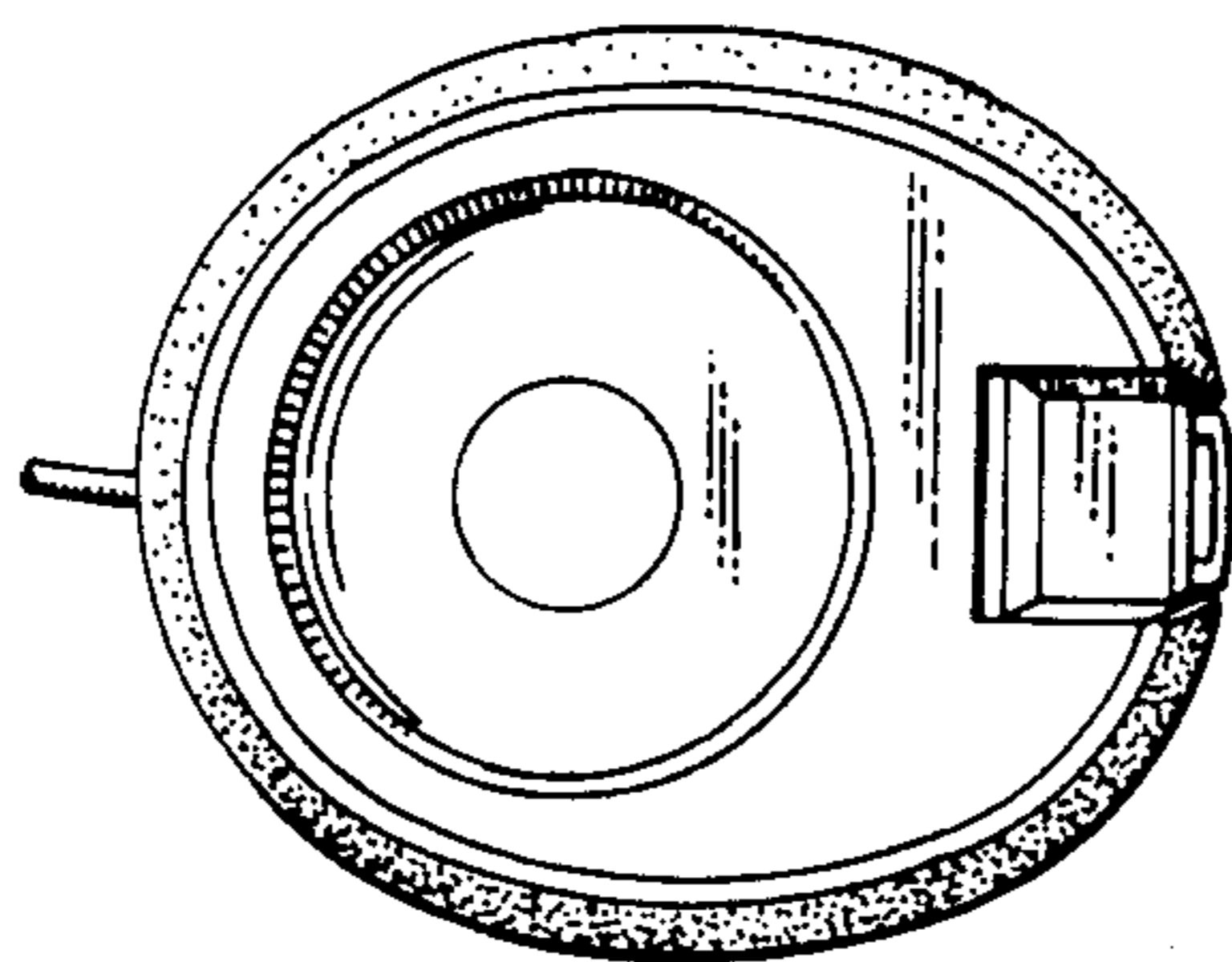


FIG. 2.

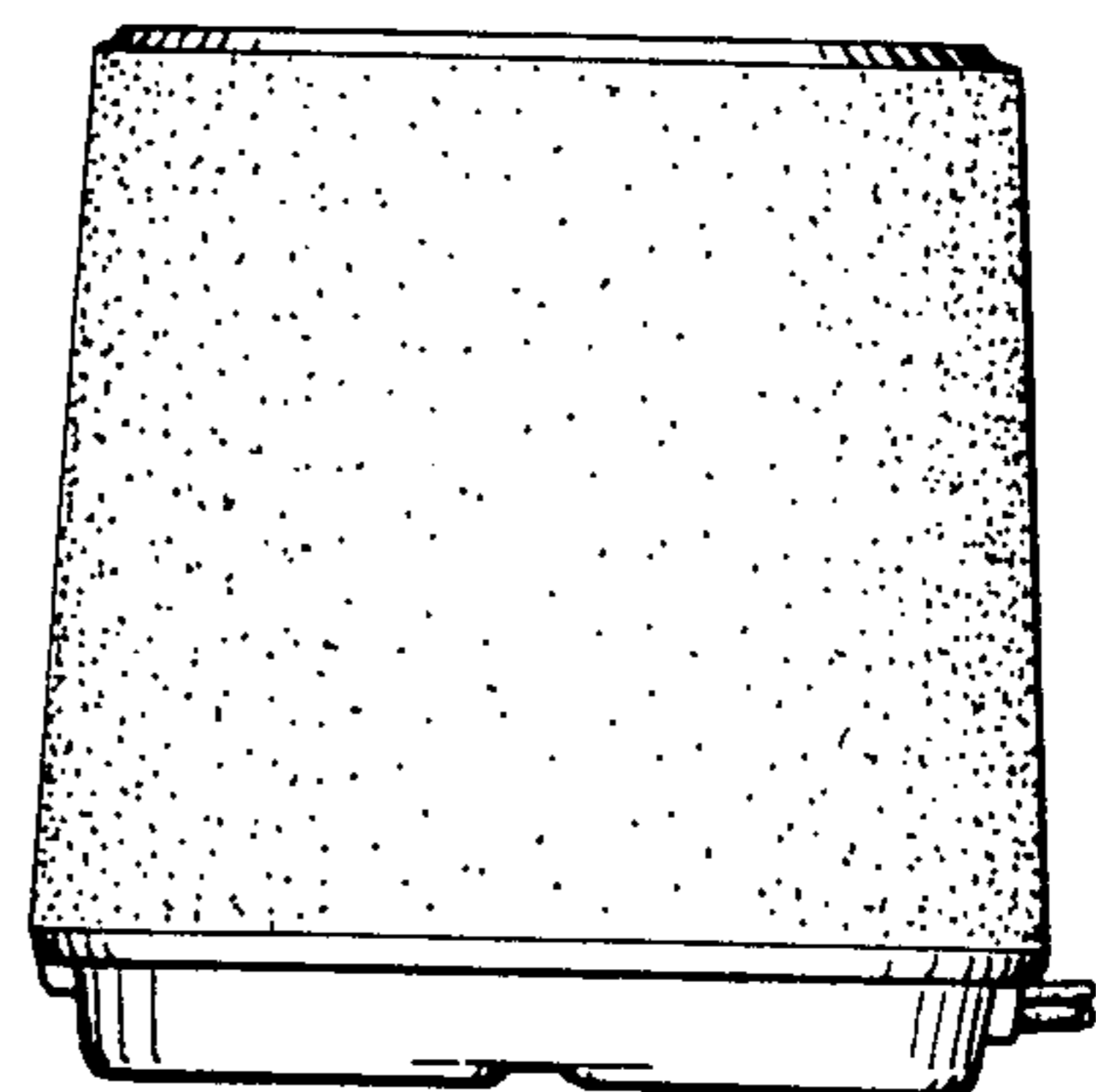


FIG. 6.

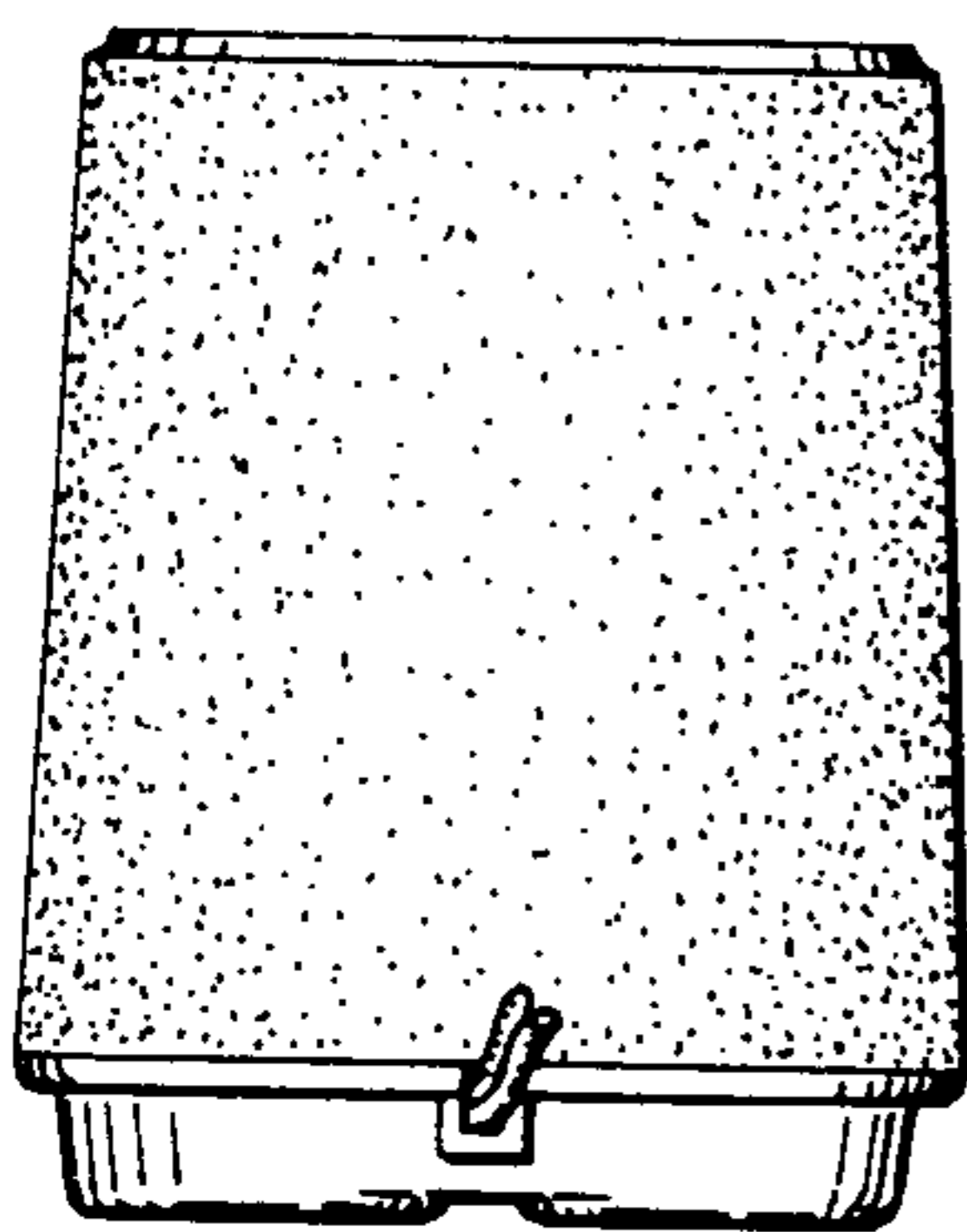


FIG. 5.

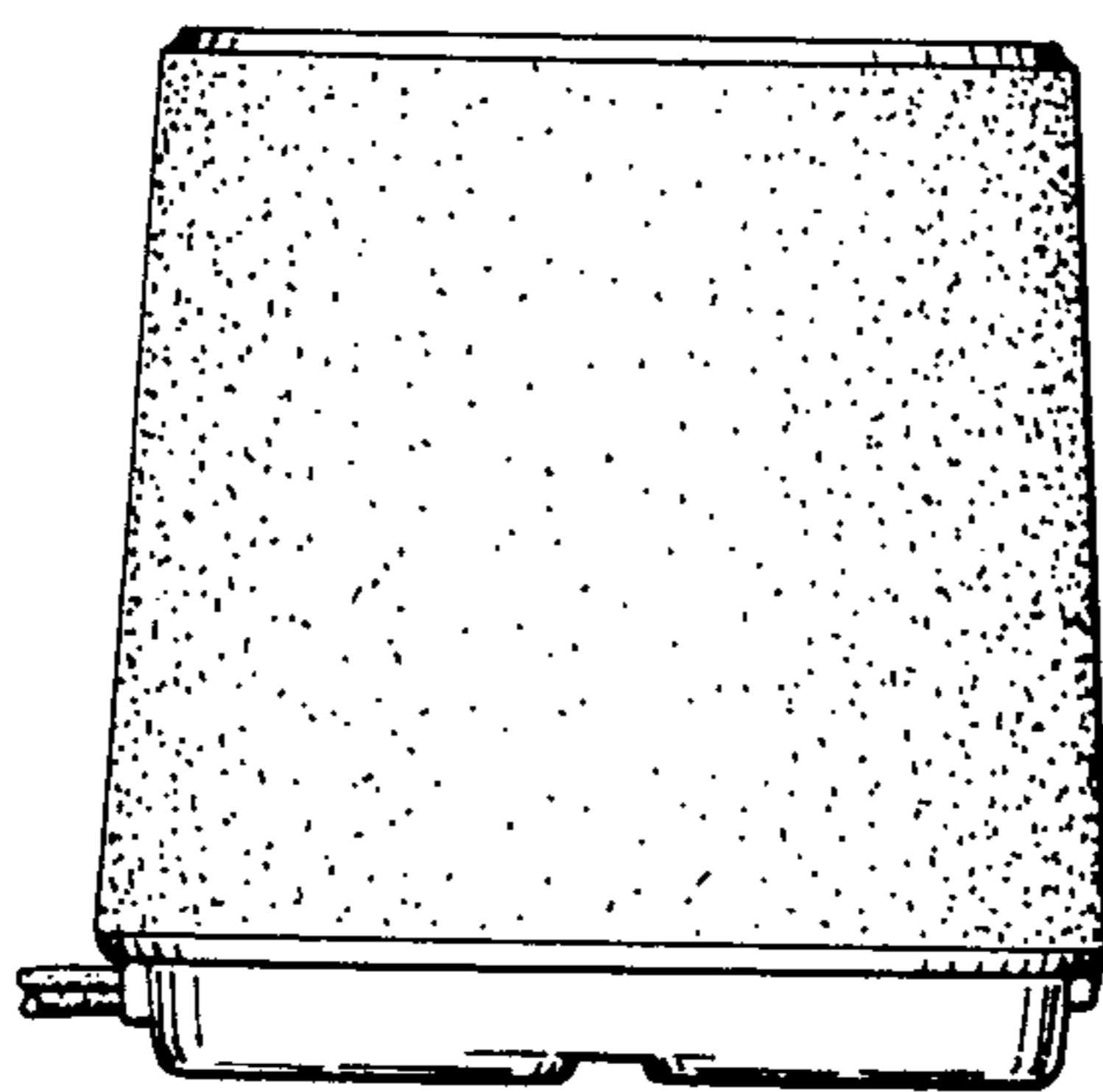


FIG. 3.

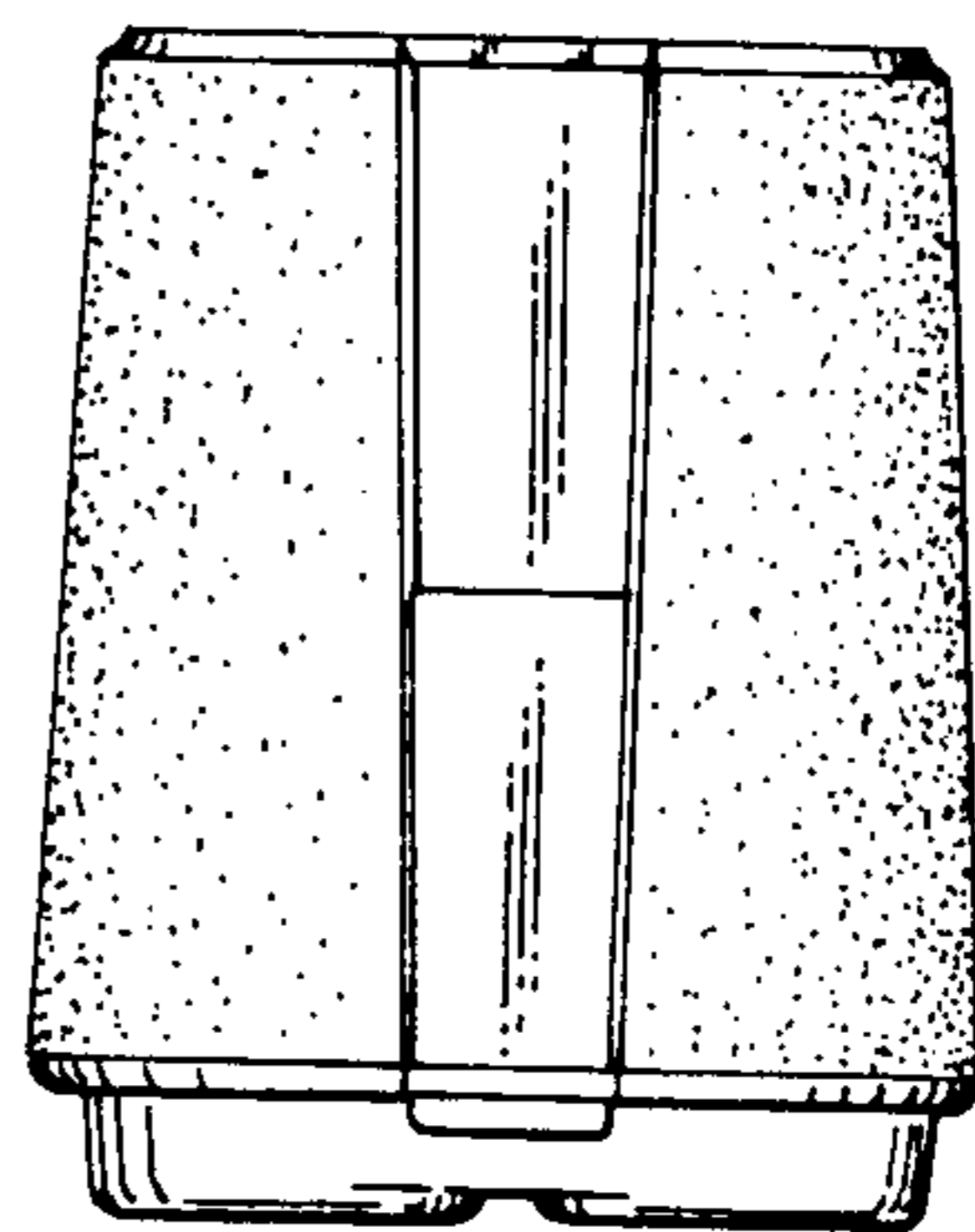


FIG. 4.

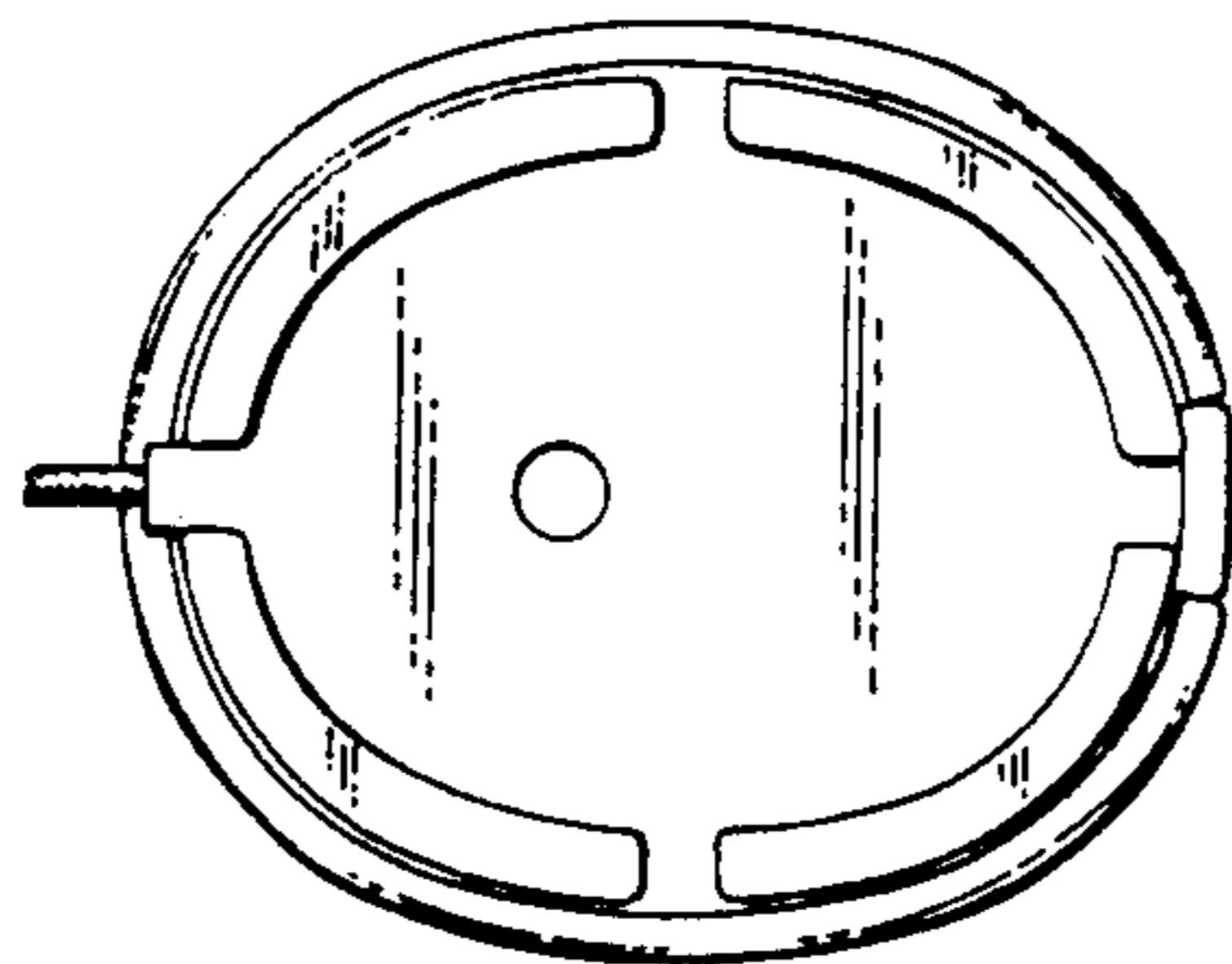


FIG. 7.